

REV.	ECR NO.	DESCRIPTION
B		修改日期后重新发图纸

Specification

MATERIAL:

Insulator: High Temperature Thermoplastic, UL 94V-0.
Contact: Copper Alloy

Electrical:

Current Rating :0.5mA AC/DC max.
Voltage Rating :12V AC/DC
Ambient Temperature Range :-20°C~+60°C
Storage Temperature Range :-40°C~+70°C
Ambient Humidity Range :95% R.H. Max.
Contact Resistance:100mΩ max.
Insulation Resistance:1000MΩmin./500VDC
Mating Cycles:5,000 Insertions

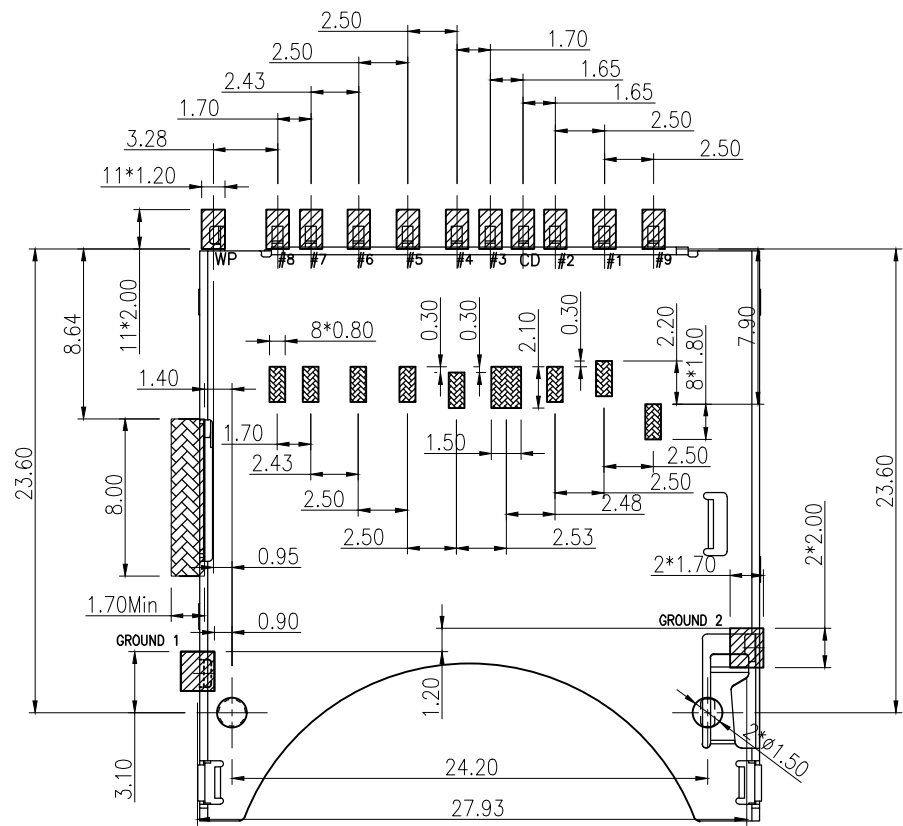
Usable Memory Card: SD&MMC Card



UNLESS OTHERWISE SPECIFIABLE GENERAL TOLERANCE X.X: ± 0.35 X.XX: ± 0.25 X.XXX: ± 0.15 ANGULAR: ± 1°	TITLE NAME: 标准SD卡卡座锁卡式	DRAW:	DATE:
	PART NO.: BX-SD-2.8HJ	CHED:	DATE:
	DRAWG NO.:	APPD:	DATE:
	A4		UNIT: MM TYPE: Y SCALE: 1:1 REV: B PAGE: 1/3



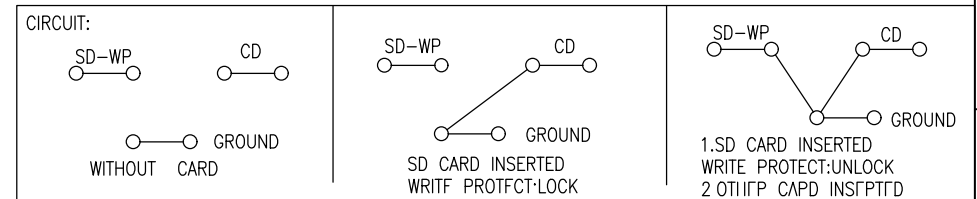
Recommend PCB Layout Drawing:
 (Unit:mm .X ± 0.15 .XX ±0.05 .XXX ± 0.02)



Welding area
 prohibited layout area

5	6	7
REV.	ECR NO.	DESCRIPTION
B		修改引脚后重新画图

PIN NO.	PIN NAME .
#1	(CD/DAT3)
#2	(CMD)
#3	(VSS1)
#4	(VDD)
#5	(CLK)
#6	(VSS2)
#7	(DAT0)
#8	(DAT1)
#9	(DAT2)

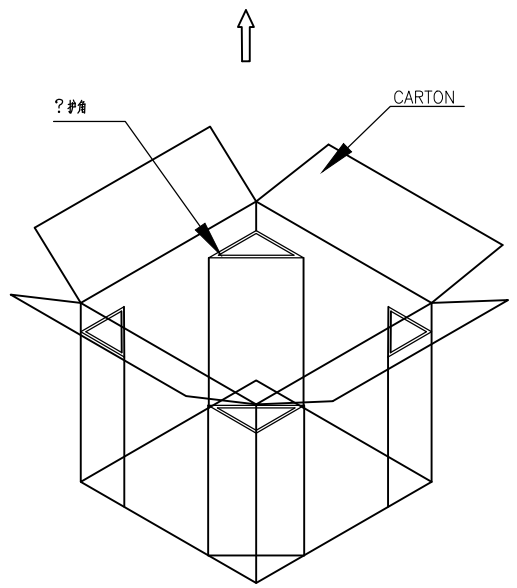
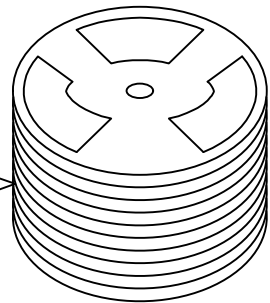
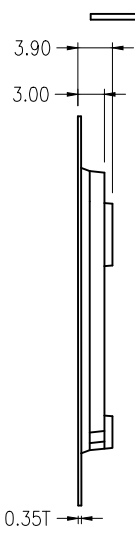
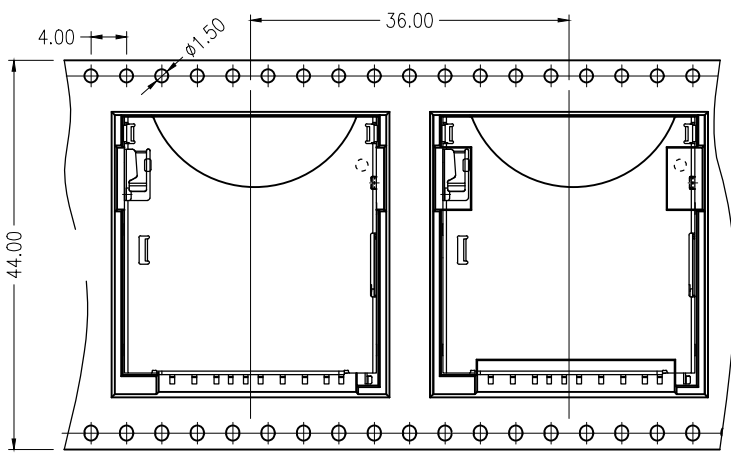
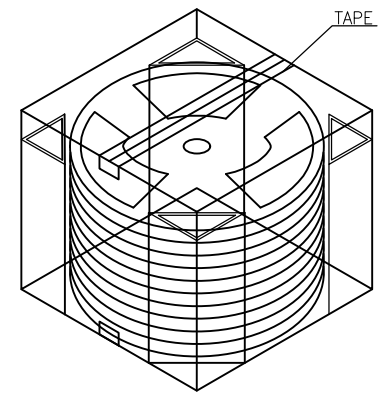
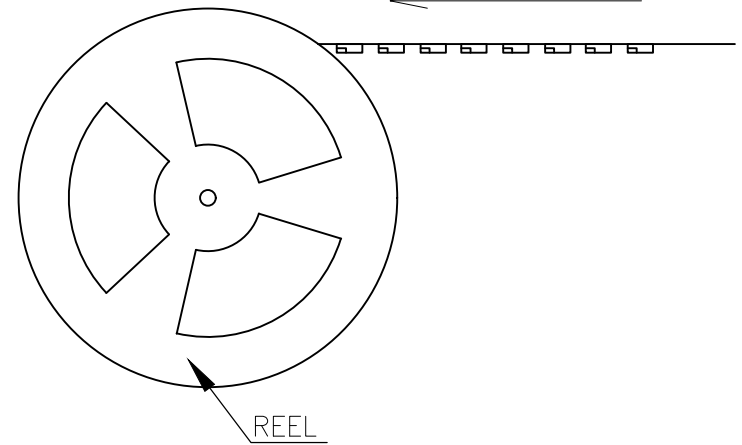


B Bossie (博锡)	
UNLESS OTHERWISE SPECIFIABLE GENERAL TOLERANCE	TITLE NAME: 标准SD卡卡座锁卡式
X.X: ± 0.35	DRAW: DATE:
X.XX: ± 0.25	PART NO. : BX-SD-2.8HJ
X.XXX: ± 0.15	CHED: DATE:
ANGULAR: ± 1°	DRAWG NO. :
	APPD: DATE:
	A4
UNIT: MM	TYPE: Y
SCALE: 1:1	REV: B
	PAGE: 2/3

RoHS

方向

5	6	7
REV.	ECR NO.	DESCRIPTION



PACKING INFORMATION

PART NAME	
QUANTITY OF PER TRAY	400PCS/REEL
QUANTITY OF PER CARTON	6*400=2400PCS/CARTON
WEIGHT OF PER TRAY	
WEIGHT OF PER CARTON (NET WEIGHT)	
GROSS WEIGHT	
SIZE	350*350*345

<p>UNLESS OTHERWISE SPECIFIABLE GENERAL TOLERANCE</p> <p>X.X: ± 0.35 X.XX: ± 0.25 X.XXX: ± 0.15 ANGULAR: ± 1°</p>	TITLE NAME: 标准SD卡卡座 锁卡式	DRAW:	DATE:
	PART NO.: BX-SD-2.8HJ	CHED:	DATE:
	DRAWG NO.:	APPD:	DATE:
	A4	UNIT: MM	TYPE: Y
		REV: B	PAGE: 3/3

X-ON Electronics

Largest Supplier of Electrical and Electronic Components

Click to view similar products for [Memory Card Connectors](#) category:

Click to view products by [Bossie](#) manufacturer:

Other Similar products are found below :

[6407-249V-25273P](#) [6407-249V-25343P](#) [6426-201-21343](#) [69.920.0553.0](#) [MCR60A-98D-2.54DSA\(70\)](#) [809180410000000](#) [DM3AT-SF-PEJM5\(41\)](#) [IC11S-BUR-PNEJL\(71\)](#) [C70210M0083692](#) [2041353-2](#) [308-DS1P0811-192](#) [HM2P09PDR360N9LF](#) [10014744-011TLF](#) [11327-001](#) [11327-002](#) [NX1-32T-KT3K\(05\)](#) [95622-003LF](#) [84648-056HLF](#) [CCM03-3109 B LFT](#) [MS3116J10-6PW](#) [2309923-1](#) [61126-050CAHLF](#) [GTFP08432B1HR](#) [G85D1160022HHR](#) [SCE2MSDB76A121SN](#) [SCE2MSDZN76A121SN](#) [10014744-011ALF](#) [10014744-011LF](#) [10057542-1211FLF](#) [10067972-000LF](#) [10067972-050LF](#) [10122302-20110LF](#) [G85D1162022HHR](#) [TF-05A](#) [XKNANO-1412](#) [SMN-304-ARP6](#) [MIS11-S1F1-2000-A](#) [SMN-308-ARSP7](#) [MCS-302S-KT1B](#) [SMN-308-ACSP7](#) [K-DYX-008](#) [K-DYX-004](#) [HYCW126-TF18-150B](#) [C7024-03](#) [SMO-1030](#) [MCS-110-KT](#) [SIM-217](#) [SNO-1355-KT](#) [SMO-1025-P10](#) [SIM-211S-P6](#)