


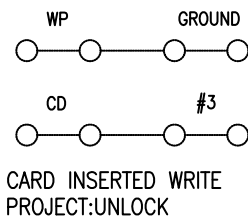
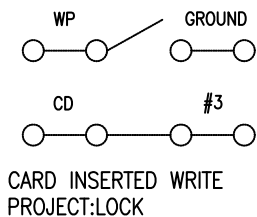
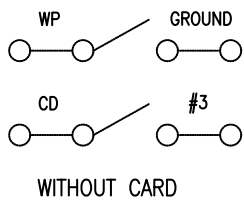
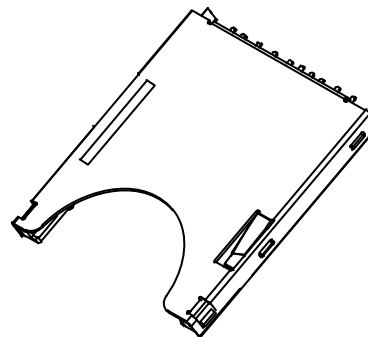
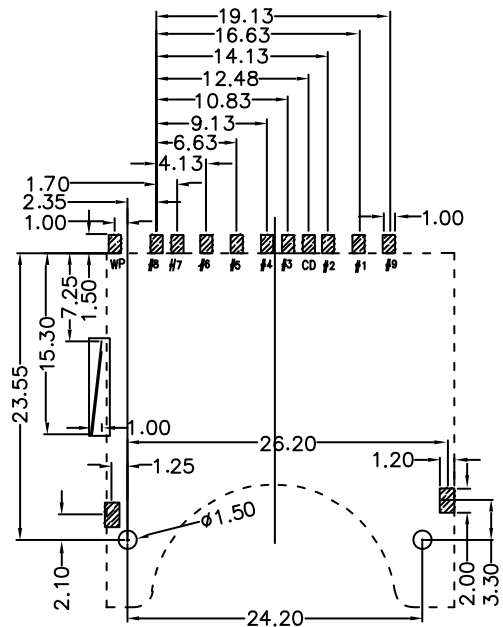
SD CARD

NOTES:

- 1.MATERIAL:
HOUSING: HIGH TEMPERATURE THERMOPLASTIC UL94V_0,COLOR:BLACK.
CONTACT: COPPER ALLOYS.
COVER: COPPER ALLOYS OR STEEL.
- 2.PLATING:
UNDERPLATE: NICKEL.
CONTACT AREA: GOLD OVER NICKEL.
SOLDER AREA: TIN OVER NICKEL.
- 3.MULTIMEDIA CARD COMPATIBLE

 Bossie (博锡)	
E	TITLE: 标准SD卡卡座
PART NO.	BX-SD-2.9HY
PRODUCT SPEC.	标准SD卡卡座
FILE NAME.	
SCALE	1:1
UNIT:mm	A4
SHEET:1	OF 3

General	Angle	设计		
X±0.50	X°±2°	DESIGN		
.X±0.30	.X°±1°	校阅		
.XX±0.20	.XX°±0.5°	CHECK		
GENERAL TOLERANCE UNLESS OTHERWISE NOTED		承认		
		APPRO.		

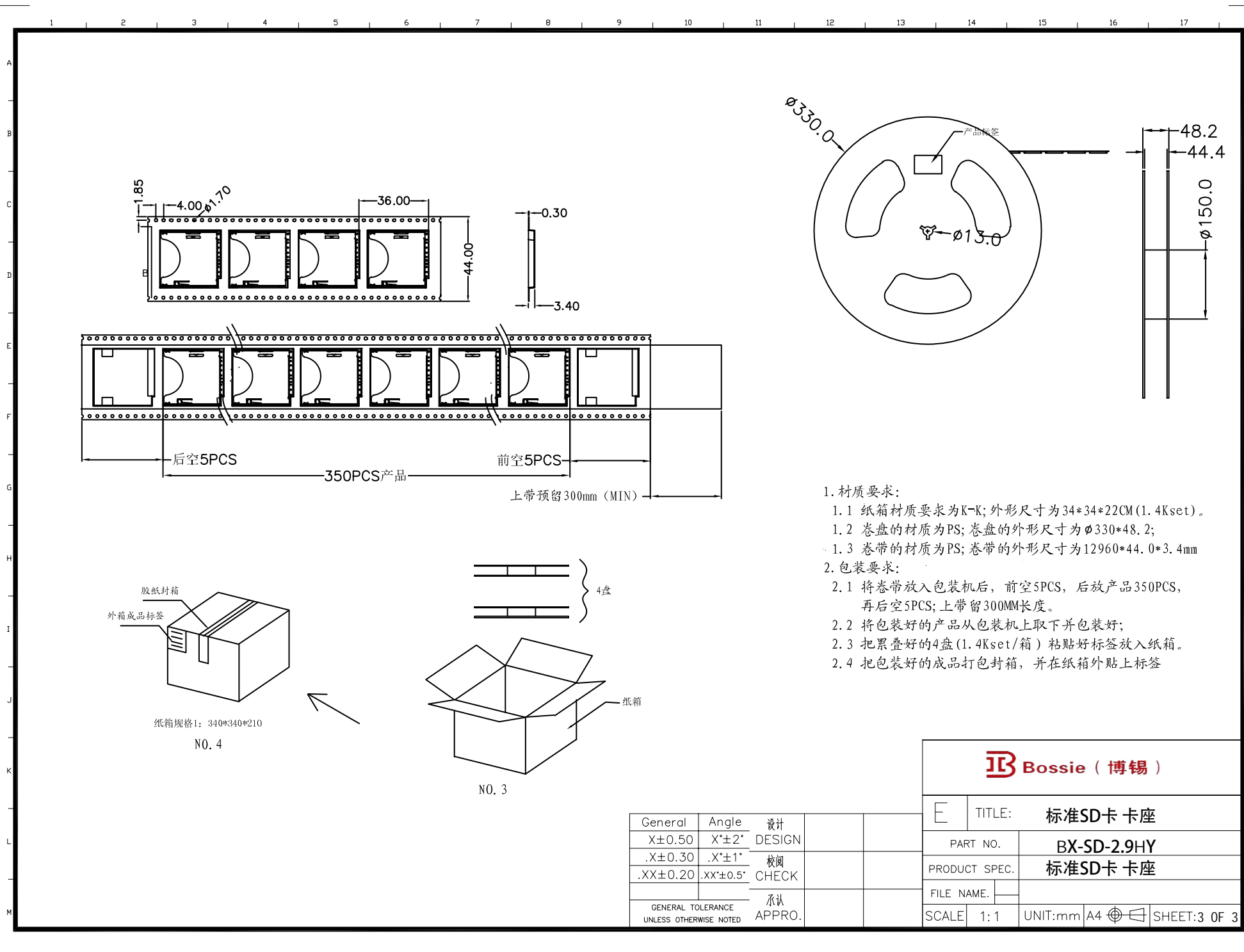


SD CARD PIN DESIGN

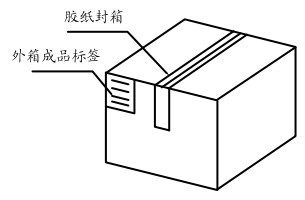
PIN NO.	NAME	TYPE	DESCRIPTION
#1	CD/DAT3	I/O/PP	CARD DETECT/DATA LINE(BIT3)
#2	CMD	PP	COMMAND/RESPONSE
#3	VSS1	S	SUPPLY VOLTAGE GROUND
#4	VDD	S	SUPPLY VOLTAGE
#5	CLK	I	CLOCK
#6	VSS2	S	SUPPLY VOLTAGE GROUND
#7	DAT0	I/O/PP	DATA LINE(BIT 0)
#8	DAT1	I/O/PP	DATA LINE(BIT 1)
#9	DAT2	I/O/PP	DATA LINE(BIT 2)

General	Angle	设计		
X±0.50	X*±2°	DESIGN		
.X±0.30	.X*±1°	校阅		
.XX±0.20	.XX*±0.5°	CHECK		
GENERAL TOLERANCE UNLESS OTHERWISE NOTED		承认		
		APPRO.		

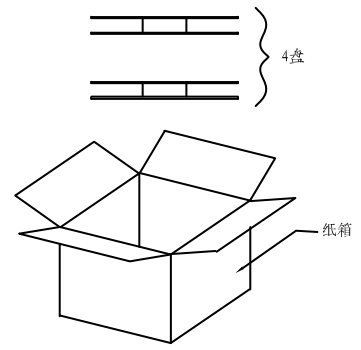
IB Bossie (博锡)	
E	TITLE: 标准SD卡卡座
PART NO.	BX-SD-2.9HY
PRODUCT SPEC.	标准SD卡卡座
FILE NAME.	
SCALE	1:1
UNIT:mm	A4
SHEET:2 OF 3	



1. 材质要求:
- 1.1 纸箱材质要求为K-K; 外形尺寸为34*34*22CM (1.4Kset).
 - 1.2 卷盘的材质为PS; 卷盘的外形尺寸为 $\phi 330 \times 48.2$;
 - 1.3 卷带的材质为PS; 卷带的外形尺寸为12960*44.0*3.4mm
2. 包装要求:
- 2.1 将卷带放入包装机后, 前空5PCS, 后放产品350PCS, 再后空5PCS; 上带预留300MM长度。
 - 2.2 将包装好的产品从包装机上取下并包装好;
 - 2.3 把累叠好的4盘(1.4Kset/箱) 粘贴好标签放入纸箱。
 - 2.4 把包装好的成品打包封箱, 并在纸箱外贴上标签



纸箱规格1: 340*340*210
NO. 4



NO. 3

General	Angle	设计		
X \pm 0.50	X \pm 2°	DESIGN		
.X \pm 0.30	.X \pm 1°	核阅		
.XX \pm 0.20	.XX \pm 0.5°	CHECK		
GENERAL TOLERANCE UNLESS OTHERWISE NOTED		承认		
		APPRO.		

JB Bossie (博锡)				
E	TITLE: 标准SD卡卡座			
PART NO.		BX-SD-2.9HY		
PRODUCT SPEC.		标准SD卡卡座		
FILE NAME.				
SCALE	1:1	UNIT:mm	A4	SHEET:3 OF 3

X-ON Electronics

Largest Supplier of Electrical and Electronic Components

Click to view similar products for [Memory Card Connectors](#) category:

Click to view products by [Bossie](#) manufacturer:

Other Similar products are found below :

[6407-249V-25273P](#) [6407-249V-25343P](#) [6426-201-21343](#) [69.920.0553.0](#) [MCR60A-98D-2.54DSA\(70\)](#) [809180410000000](#) [DM3AT-SF-PEJM5\(41\)](#) [IC11S-BUR-PNEJL\(71\)](#) [C70210M0083692](#) [2041353-2](#) [308-DS1P0811-192](#) [HM2P09PDR360N9LF](#) [10014744-011TLF](#) [11327-001](#) [11327-002](#) [NX1-32T-KT3K\(05\)](#) [95622-003LF](#) [84648-056HLF](#) [CCM03-3109 B LFT](#) [MS3116J10-6PW](#) [2309923-1](#) [61126-050CAHLF](#) [GTFP08432B1HR](#) [G85D1160022HHR](#) [SCE2MSDZN76A121SN](#) [10014744-011ALF](#) [10014744-011LF](#) [10057542-1211FLF](#) [10067972-000LF](#) [10067972-050LF](#) [10122302-20110LF](#) [G85D1162022HHR](#) [TF-05A](#) [M6014-12](#) [XKNANO-1412](#) [SMN-304-ARP6](#) [MIS11-S1F1-2000-A](#) [SMN-308-ARSP7](#) [MCS-302S-KT1B](#) [SMN-308-ACSP7](#) [K-DYX-008](#) [K-DYX-004](#) [C7024-03](#) [SMO-1030](#) [MCS-110-KT](#) [SIM-217](#) [SNO-1355-KT](#) [SMO-1025-P10](#) [SIM-211S-P6](#) [SNO-1440](#)