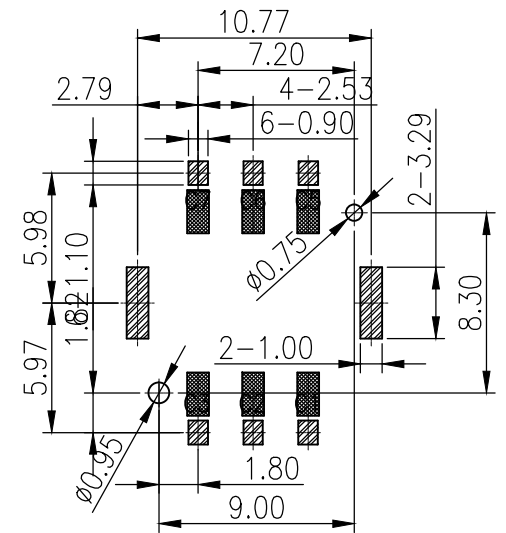
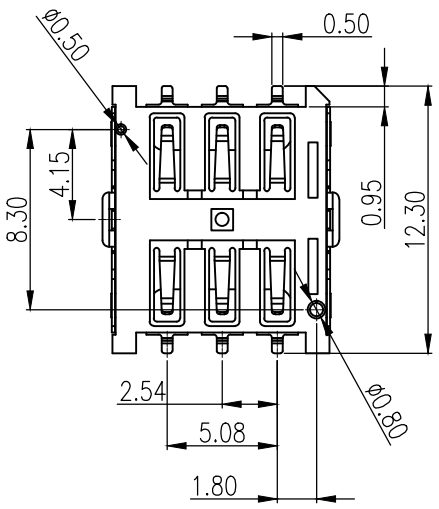
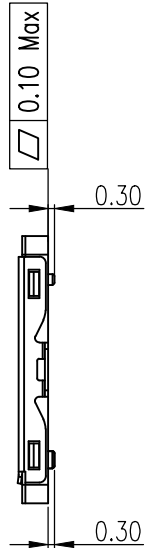
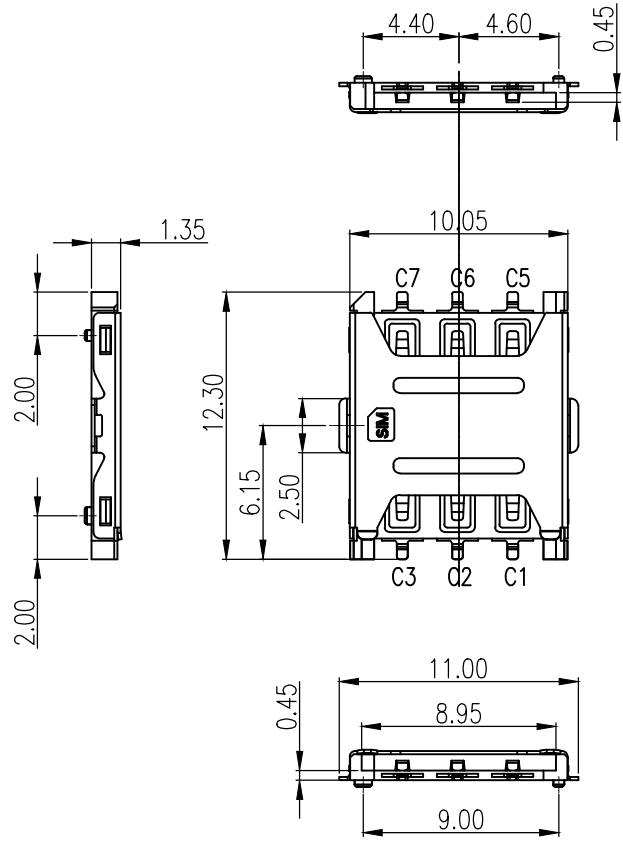
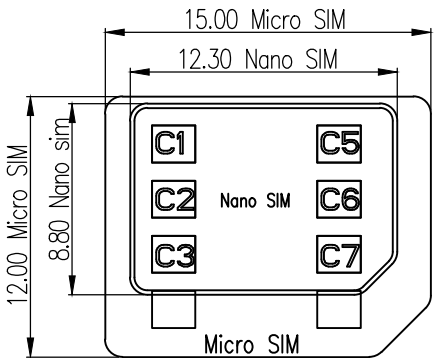


RoHS

REV.	EC#	DESCRIPTION	DATE	DRAWING	CHECKED	APPROVED



RECOMMENDED PCB LAYOUT
 PATTERN PROHIBITION AREA



SIM pin assignment	
PIN#	Name
C1	VCC供电电压
C2	RST重置
C3	CLK时钟
C5	GND接地
C6	VPP程序电压
C7	I/O输入输出

- NOTES:
- MATERIAL:
 - Insulator: High Temperature Thermoplastic, UL94V-0; Color Black.
 - Terminal: Copper Alloy.
 - Shell: Stainless Steel.
 - PLATING:
 - Contact: Plated 50u" Ni Overall Contact Au 1u",
 - Shell: Plated 50u" Ni Overall, PAD Au 1u"
 - SPECIALITY:
 - Current Rating :0.5mA AC/DC max.
 - Voltage Rating :125V AC/DC
 - Ambient Temperature Range :-20° C~+60° C
 - Storage Temperature Range :-40° C~+70° C
 - Ambient Humidity Range :95% R.H. Max.
 - Contact Resistance:100mΩ max.
 - Insulation Resistance:1000MΩ min./500VDC
 - Mating Cycles:10,000 Insertions
 - Reflow peak temp.: 260° C ±5° C, 3~5 S
 - Mating Cycles:3,000 Insertions Min
 - PLEASE CONTACT LQ SALES REPRESENTATIVE TO VERIFY PRODUCT DETAILS & AVAILABILITY

Unless otherwise specified tolerances are		Bossie (博锡)						
X.X	±0.30	DRAW NO.	DATE	DRAW NAME:				
X.XX	±0.20			拔插式 NanoSIM卡卡座				
X.XXX	±0.10	DWN		P/N :				
X'	±3.0'	CHK						
X.X'	±1.5'	APVD						
Third Angle Project		FINISH		UNIT	SCALE	WEIGHT	REV	SHEET
		DWG NO.	BX-SMN-1.35HJ-C	mm	1:1		A0	1 OF 2

X-ON Electronics

Largest Supplier of Electrical and Electronic Components

Click to view similar products for [Memory Card Connectors](#) category:

Click to view products by [Bossie](#) manufacturer:

Other Similar products are found below :

[6407-249V-25273P](#) [6407-249V-25343P](#) [6426-201-21343](#) [69.920.0553.0](#) [MCR60A-98D-2.54DSA\(70\)](#) [809180410000000](#) [DM3AT-SF-PEJM5\(41\)](#) [IC11S-BUR-PNEJL\(71\)](#) [C70210M0083692](#) [2041353-2](#) [308-DS1P0811-192](#) [HM2P09PDR360N9LF](#) [10014744-011TLF](#) [11327-001](#) [11327-002](#) [NX1-32T-KT3K\(05\)](#) [95622-003LF](#) [84648-056HLF](#) [CCM03-3109 B LFT](#) [MS3116J10-6PW](#) [2309923-1](#) [61126-050CAHLF](#) [GTFP08432B1HR](#) [G85D1160022HHR](#) [SCE2MSDZN76A121SN](#) [10014744-011ALF](#) [10014744-011LF](#) [10057542-1211FLF](#) [10067972-000LF](#) [10067972-050LF](#) [10122302-20110LF](#) [G85D1162022HHR](#) [TF-05A](#) [M6014-12](#) [XKNANO-1412](#) [SMN-304-ARP6](#) [MIS11-S1F1-2000-A](#) [SMN-308-ARSP7](#) [MCS-302S-KT1B](#) [SMN-308-ACSP7](#) [K-DYX-008](#) [K-DYX-004](#) [C7024-03](#) [SMO-1030](#) [MCS-110-KT](#) [SIM-217](#) [SNO-1355-KT](#) [SMO-1025-P10](#) [SIM-211S-P6](#) [SNO-1440](#)