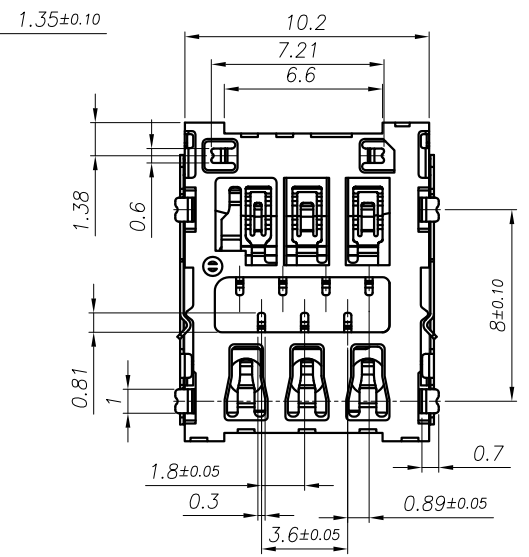
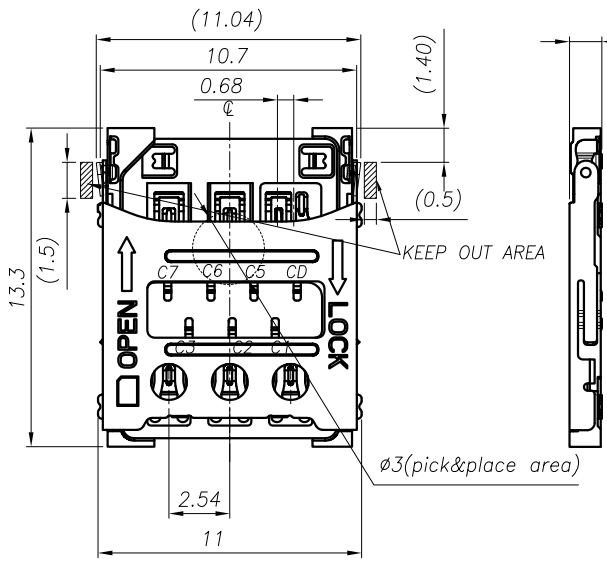
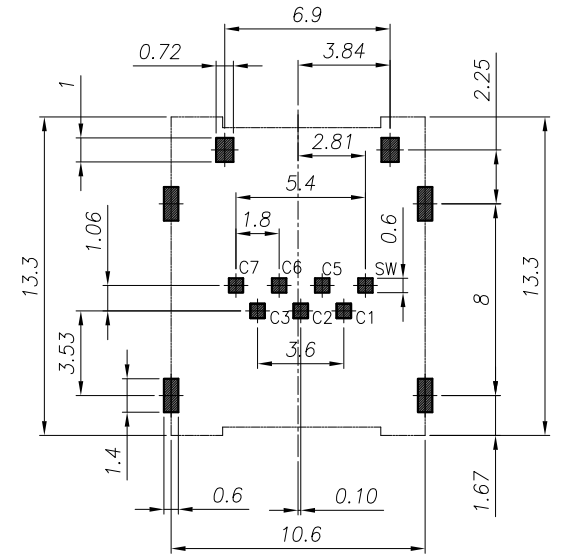


REV.	ECN NO OR DESCRIPTION	REVISED	DATE
▽1	PROPOSE ONLY		

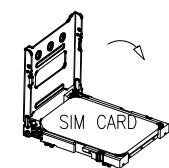


SW Circuit Description for Connector:

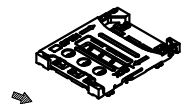
CARD INSERTION STATE	DETECT SWITCH CIRCUIT STATE	SCHEMATIC
UNMATED	OPENED	DETECT PIN C5
MATED	CLOSED	DETECT PIN C5



RECOMMENDED PCB LAYOUT TOP VIEW (TOLERANCE:±0.05)
RECOMMENDED METAL MASK T=0.12MM



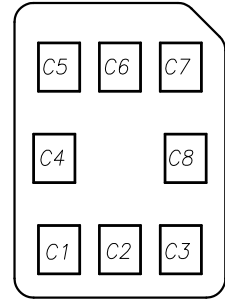
1. PLACE SIM CARD,
THEN HINGE THE SHELL



2. SLIDE THE SHELL,
CARD LOCKED

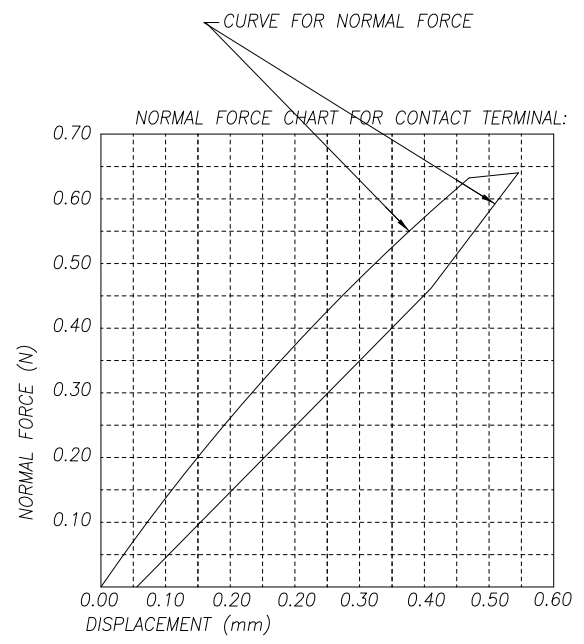
【 SIM Card Pin Assignments 】

PIN	Name
C1	Vcc
C2	RST
C3	CLK
C4	Reserved
C5	GND
C6	Vpp
C7	I/O
C8	Reserved



NOTES:

- MATERIAL:SEE TABLE
- SPECIALITY:
 - Rated current: 0.5A Max
 - Rated voltage: 30V AC
 - Contact Resistance:100mohm MAX
 - Insulation Resistance:1000Mohm MIN 500V DC
 - Dielectric withstanding voltage: 500V AC/minute.
 - Solder ability:250±5 10±0.5s.
 - Durability:5000 Cycles
 - Mating and Unmating force
Insertion Force 10N Max
Withdrawal Fore 0.5N Min



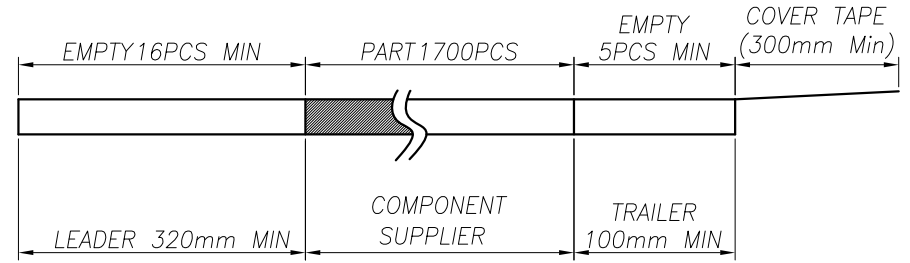
NO.	PART NAME	Q'TY	DESCRIPTION	NOTE
③	TERMINAL	6	C5210-EH,T=0.12	Au 3u" PLATING
②	BASE INSULATOR	1	LCP+GF30%	BLACK
①	SHELL	1	SUS304-H,T=0.15	AU/Ni PLATING

UNLESS OTHERWISE SPECIFIED TOLERANCES		Bossie (博锡)			
DECIMALS:	ANGLES:	TITLE	翻盖式 NanoSIM卡卡座		
X :±0.5	X :±2°	DWN	PART NO. BX-SMN-1.35HJ-F		
X.X :±0.20	X.X :±1°	CHKD	SCALE:1:1	UNIT: mm	
X.XX :±0.10		APVD	SIZE: A3	SHEET:10F 1	REV: A2
CUSTOMER COPY					

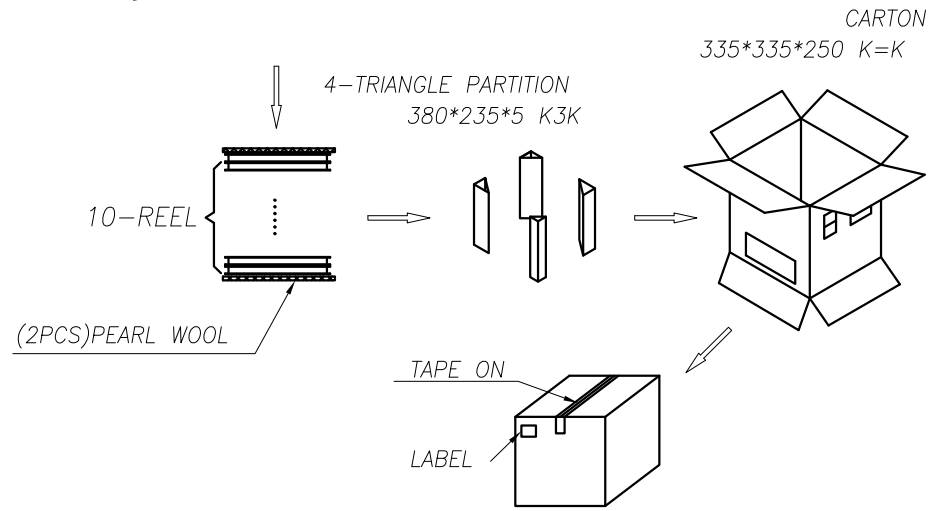
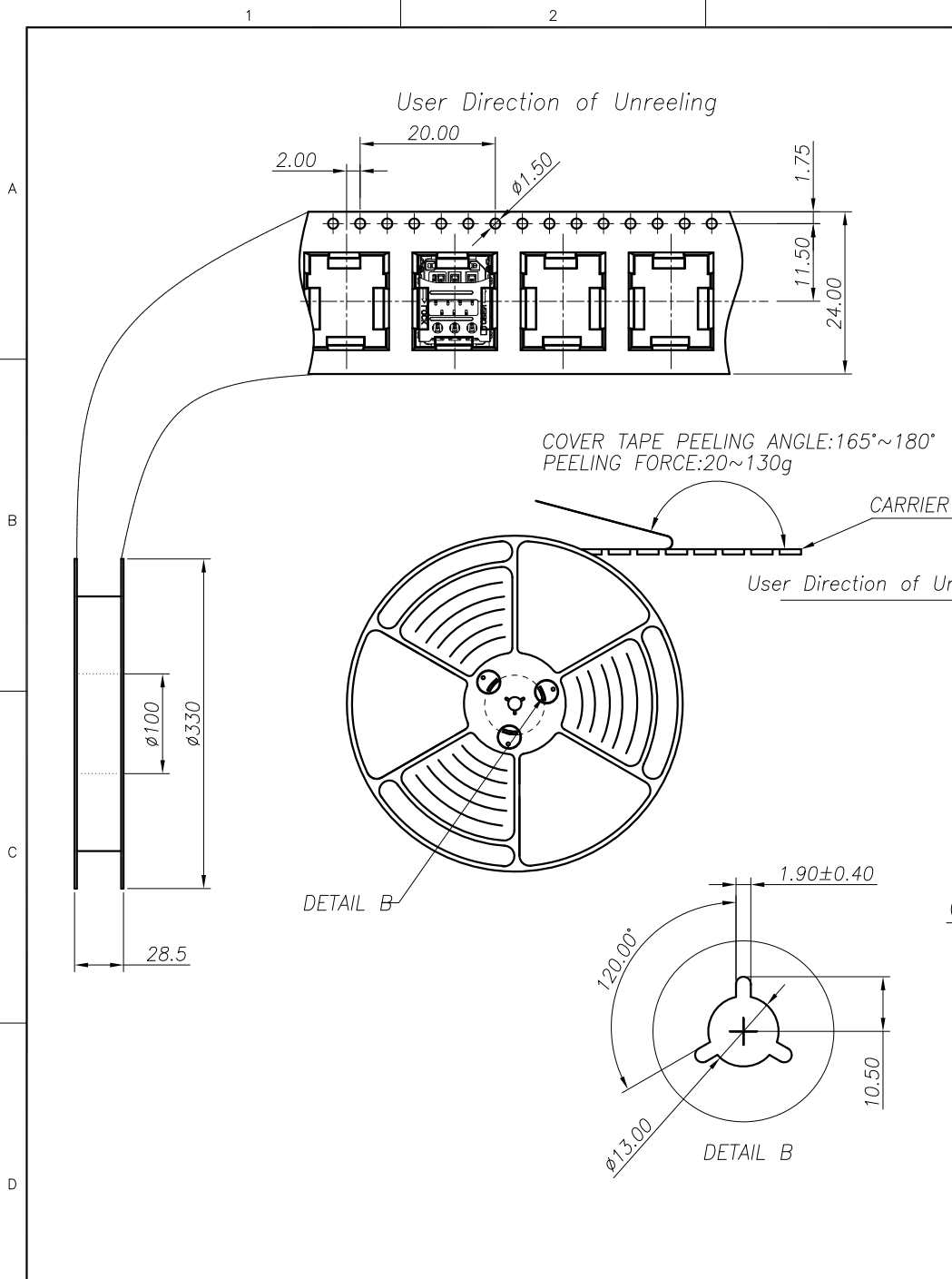
REV.	ECN NO OR DESCRIPTION	REVISED	DATE
▽	PROPOSE ONLY		

NOTES

1. NUMBER OF CONNECTORS: 1700PCS/REEL
2. LEAD TAPE LENGTH



3. QUANTITY: 17,000PCS/CARTON
4. WEIGHT :
 - 3.1 NET WEIGHT : 2.4Kg
 - 3.2 GROSS WEIGHT : 6.5Kg



1				
ITEM	PRODUCT NO.	PCS/REEL	REEL/CARTON	PCS/CARTON

UNLESS OTHERWISE SPECIFIED TOLERANCES		IB Bossie (博锡)		
DECIMALS:	ANGLES:	TITLE	翻盖式 NanoSIM卡卡座	
X :±0.5	X :±2°	DWN	PART NO. BX-SMN-1.35HJ-F	
X.X :±0.20	X.X :±1°	CHKD	SCALE: 1:1	UNIT: mm
X.XX :±0.10		APVD	SIZE: A3	SHEET: 10F 1
		REV: A2		
CUSTOMER COPY				

X-ON Electronics

Largest Supplier of Electrical and Electronic Components

Click to view similar products for [Memory Card Connectors](#) category:

Click to view products by [Bossie](#) manufacturer:

Other Similar products are found below :

[6407-249V-25273P](#) [6407-249V-25343P](#) [6426-201-21343](#) [69.920.0553.0](#) [MCR60A-98D-2.54DSA\(70\)](#) [809180410000000](#) [DM3AT-SF-PEJM5\(41\)](#) [IC11S-BUR-PNEJL\(71\)](#) [C70210M0083692](#) [2041353-2](#) [308-DS1P0811-192](#) [HM2P09PDR360N9LF](#) [10014744-011TLF](#) [11327-001](#) [11327-002](#) [NX1-32T-KT3K\(05\)](#) [95622-003LF](#) [84648-056HLF](#) [CCM03-3109 B LFT](#) [MS3116J10-6PW](#) [2309923-1](#) [61126-050CAHLF](#) [GTFP08432B1HR](#) [G85D1160022HHR](#) [SCE2MSDZN76A121SN](#) [10014744-011ALF](#) [10014744-011LF](#) [10057542-1211FLF](#) [10067972-000LF](#) [10067972-050LF](#) [10122302-20110LF](#) [G85D1162022HHR](#) [TF-05A](#) [M6014-12](#) [XKNANO-1412](#) [SMN-304-ARP6](#) [MIS11-S1F1-2000-A](#) [SMN-308-ARSP7](#) [MCS-302S-KT1B](#) [SMN-308-ACSP7](#) [K-DYX-008](#) [K-DYX-004](#) [C7024-03](#) [SMO-1030](#) [MCS-110-KT](#) [SIM-217](#) [SNO-1355-KT](#) [SMO-1025-P10](#) [SIM-211S-P6](#) [SNO-1440](#)