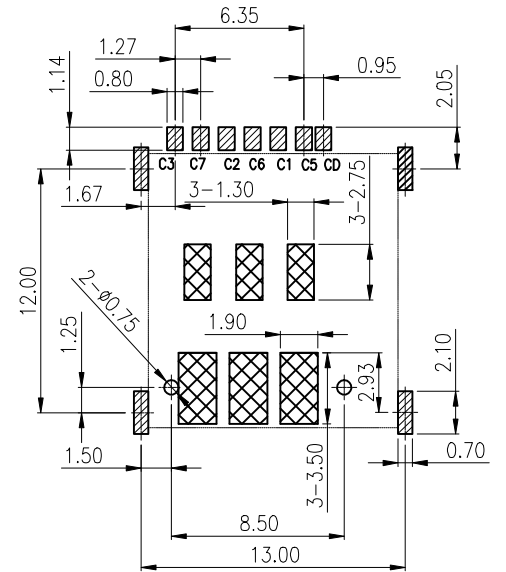
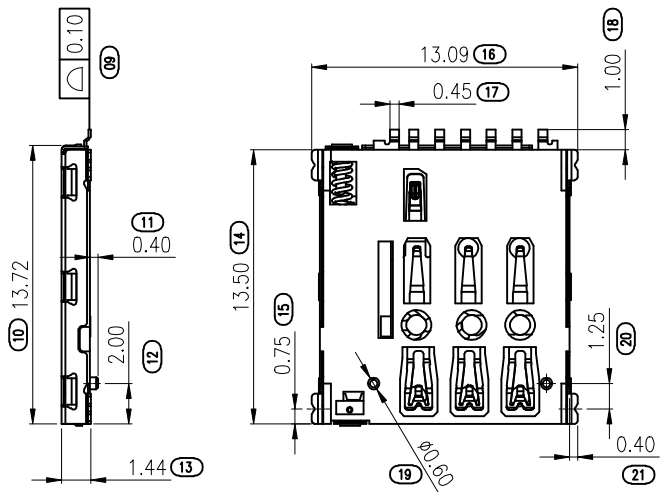
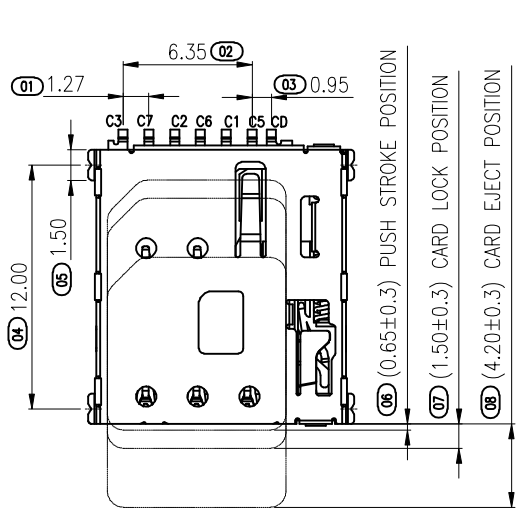
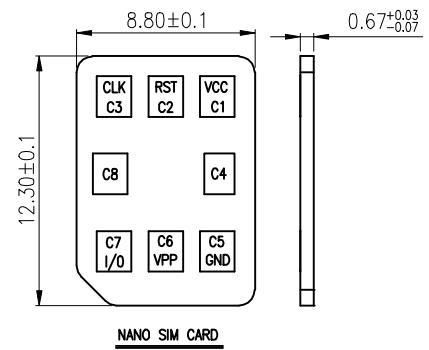
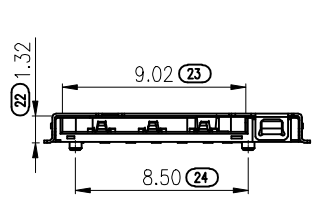
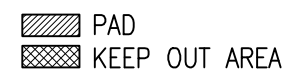


RoHS

REV.	EC#	DESCRIPTION	DATE	DRAWING	CHECKED	APPROVED
A0						



RECOMMENDED PCB LAYOUT  
GENERAL TOLERANCE ±0.05



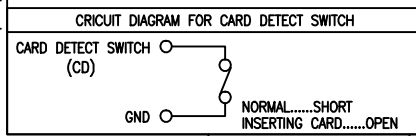
NANO SIM CARD

- NOTES:
- MATERIAL:  
HOUSING:HI-TEMP. PLASIC UL 94V-0  
CONTACT:COPPER ALLOY  
SHELL:STAINLESS STEEL
  - PLATING :  
TERMINAL:  
CONTACT AREA: Au GOLD FLASH.  
SOLDER AREA: AU GOLD FLASH.  
UNDER PLATE: NICKEL.  
SHELL: NICKEL PLATED OVER ALL.  
SOLDER AREA: GOLD FLASH.
  - SPECIALITY:  
3.1 Rated current:1.0A  
3.2 Rated voltage:30V  
3.3 Contact Resistance:50mΩ MAX  
3.4 Insulation Resistance:1000MΩ MIN 500V DC  
3.5 Dielectric withstanding voltage: 500V AC.  
3.6 Solder ability:260±0/-5℃, 30±10s.  
3.7 Durability:5000 Cycles Min.  
3.8 Operating condition:Temperature-40℃~+85℃,  
Humidity 80% R.H MAX

SIM pin Assignment		MILLIMETERS	INCH	UNITS
PIN#	Name	X. <sup>o</sup> ± Z <sup>o</sup>	X. <sup>o</sup> ± Z <sup>o</sup>	MM
C1	VCC	.X ± 0.30	.XX ± 0.012	MAT'L
C2	RST	.XX ± 0.20	.XXX ± 0.008	SEE NOTES
C3	CLK	.XXX± 0.10	.XXXX± 0.004	FINISH
C5	GND	THESE DRAWINGS AND SPECIFICATIONS ARE THE PROPERTY OF Dong Guan Jin Bi Lai Electronic Co.,Ltd COPIED OR USED IN ANY MANNER WITHOUT THE PRIOR WRITTEN CONSENT OF Dong Guan Jin Bi Lai Electronic Co.,Ltd		
C6	VPP	QTY		
C7	I/O	SEE NOTES		

**Bossie (博锡)**

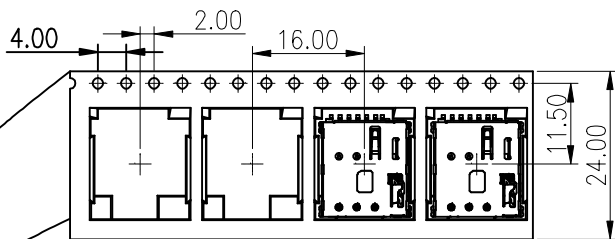
PART NUMBER:		TITLE:	
		NanoSIM卡 卡座 外焊自弹式	
APPD:		DWG NO.:	
		BX-SMN-1.37HJ-Z	
CHKD:		SCALE	SHEET
DR:		1:1	1/2
			REV.
			A0



CIRCUIT DIAGRAM FOR CARD DETECT SWITCH

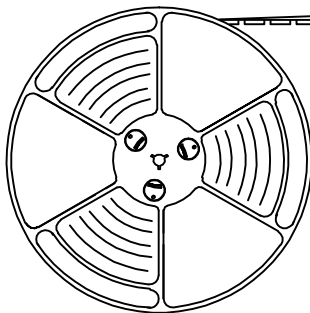
RoHS

客户拉出方向



客户拉出方向

自粘上贴

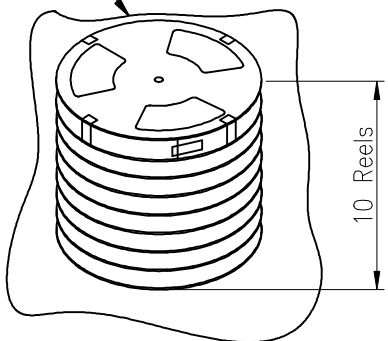


PE袋

纸箱底部和顶部各垫一块珍珠棉

护角

纸箱



将10卷产品放入箱内

NOTES

1. 每卷包装数量:1500PCS/每卷
2. 卷带包装方式:
3. 每箱包装数量:15000PCS/箱
4. 纸箱350mm\*350mm\*340mm(内部尺寸),材质K=K

封箱胶带“工”字形封好

绿色环保标签 RoHS

产品标签贴在纸箱左上角

MILLIMETERS	INCH	UNITS	Bossie (博锡)			
X. ± 2'	X. ± 2'	MM	PART NUMBER:		TITLE:	
.X ± 0.30	.XX ± 0.012	MAT'L			NanoSIM卡 卡座 外焊自弹式	
.XX ± 0.20	.XXX ± 0.008	SEE NOTES	APPD:		DWG NO.: BX-SMN-1. 37HJ-Z	
.XXX ± 0.10	.XXXX ± 0.004	FINISH	CHKD:		SCALE SHEET REV.	
THESE DRAWINGS AND SPECIFICATIONS ARE THE PROPERTY OF Dong Guan Jin Bi Lai Electronic Co.,Ltd COPIED OR USED IN ANY MANNER WITHOUT THE PRIOR WRITTEN CONSENT OF Dong Guan Jin Bi Lai Electronic Co.,Ltd			QTY	DR:	1:1 2/2 A0	
			SEE NOTES			

## X-ON Electronics

Largest Supplier of Electrical and Electronic Components

*Click to view similar products for [Memory Card Connectors](#) category:*

*Click to view products by [Bossie](#) manufacturer:*

Other Similar products are found below :

[6407-249V-25273P](#) [6407-249V-25343P](#) [6426-201-21343](#) [69.920.0553.0](#) [MCR60A-98D-2.54DSA\(70\)](#) [809180410000000](#) [DM3AT-SF-PEJM5\(41\)](#) [IC11S-BUR-PNEJL\(71\)](#) [C70210M0083692](#) [2041353-2](#) [308-DS1P0811-192](#) [HM2P09PDR360N9LF](#) [10014744-011TLF](#) [11327-001](#) [11327-002](#) [NX1-32T-KT3K\(05\)](#) [95622-003LF](#) [84648-056HLF](#) [CCM03-3109 B LFT](#) [MS3116J10-6PW](#) [2309923-1](#) [61126-050CAHLF](#) [GTFP08432B1HR](#) [G85D1160022HHR](#) [SCE2MSDB76A121SN](#) [SCE2MSDZN76A121SN](#) [10014744-011ALF](#) [10014744-011LF](#) [10057542-1211FLF](#) [10067972-000LF](#) [10067972-050LF](#) [10122302-20110LF](#) [G85D1162022HHR](#) [TF-05A](#) [XKNANO-1412](#) [SMN-304-ARP6](#) [MIS11-S1F1-2000-A](#) [SMN-308-ARSP7](#) [MCS-302S-KT1B](#) [SMN-308-ACSP7](#) [K-DYX-008](#) [K-DYX-004](#) [HYCW126-TF18-150B](#) [C7024-03](#) [SMO-1030](#) [MCS-110-KT](#) [SIM-217](#) [SNO-1355-KT](#) [SMO-1025-P10](#) [SIM-211S-P6](#)