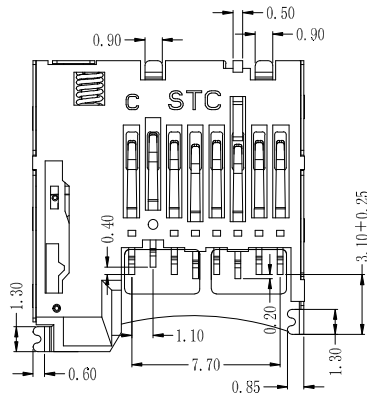
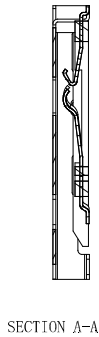
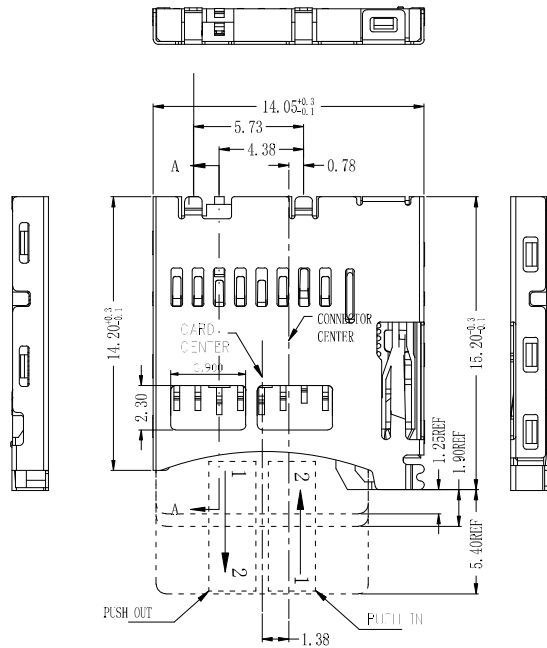
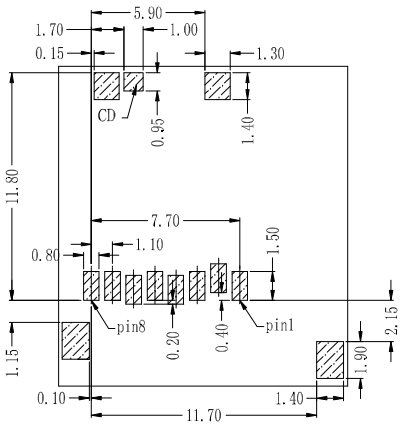
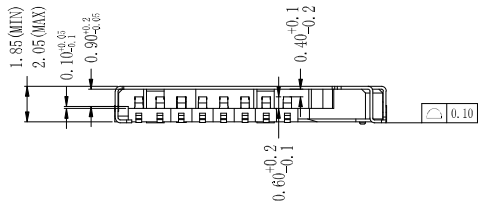
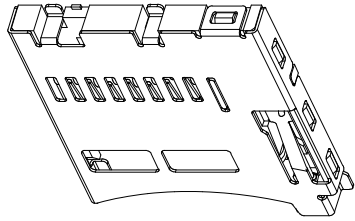


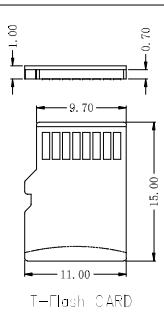
REV.	DESCRIPTION	APPD	DATE



- NOTES:
- MATERIAL:
HOUSING: HIGH TEMPERATURE THERMOPLASTIC
UL94V_0, COLOR: BLACK.
CONTACT: COPPER ALLOYS.
COVER: COPPER ALLOYS OR STEEL.
 - PLATING:
UNDERPLATE: NICKEL.
CONTACT AREA: GOLD OVER NICKEL.
SOLDER AREA: TIN OVER NICKEL.
 - MULTIMEDIA CARD COMPATIBLE



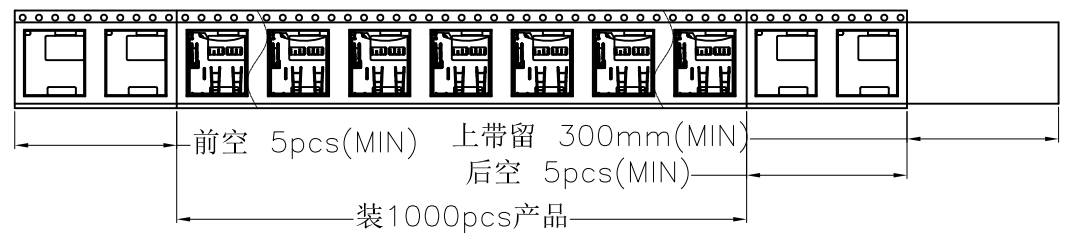
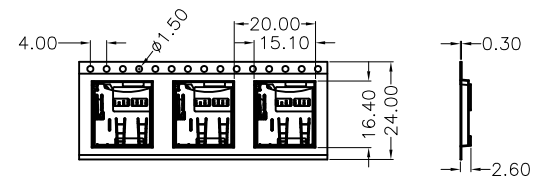
RECOMMENDED P.C.B HOLE LAYOUT
COMPONENT SIDE VIEW (TOLERANCE: +/-0.05)



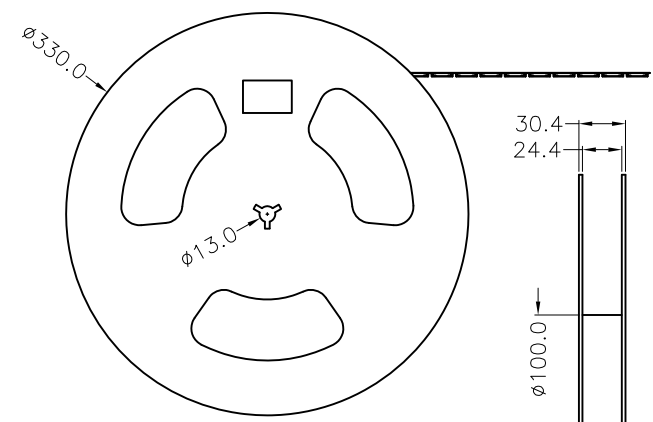
PIN NO.	NAME	TYPE	DESCRIPTION
1	DAT2	I/O/PP	DATE LINE(BIT2)
2	CD/DAT3	I/O/PP	CARD DETECT DATE LIN(BIT3)
3	CMD	PP	COMMAND RESPONSE
4	VDD	S	SUPPLY VOLTAGE
5	CLX	I	CLOCK
6	VSS	S	SUPPLY VOLTAGE GROUND
7	DAT0	I/O/PP	DATE LINE(BIT0)
8	DAT1	I/O/PP	DATE LINE(BIT1)

PART NO: BX-TF-1.85HJ		MATERIAL:		
MODEL NO:		FINISH:		
UNIT: MM	SIZE: A4	COLOR:		TITLE: Mi croSD卡(TF卡) 卡座 内焊
TOLERANCES: X.X=±0.35 X.XX=±0.25 X.XXX=±0.15		GENERAL ANGLE: X.X=±3.0° X.XX=±2.0°		DWG NO:
DR:		CHK:		REV: B/1
APP:		SCALE: 1:1		SHEET: 1 OF 2

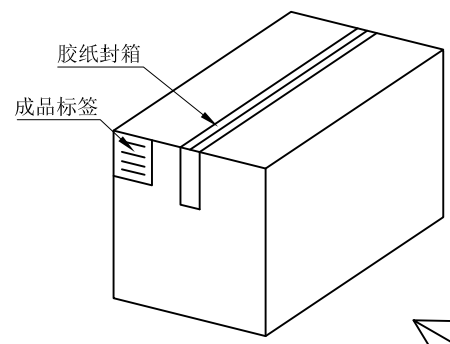
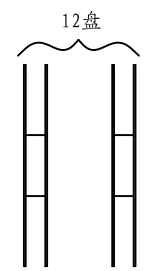
REV.	DESCRIPTION	APPD	DATE



NO. 1

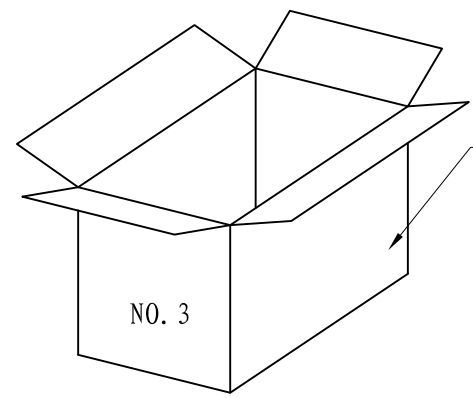


NO. 2



纸箱规格: 330*330*385

NO. 4



NO. 3

纸箱

1. 材质要求:
- 1.1 纸箱的材质为B=B; 外形尺寸为33*33*38.5CM;
 - 1.2 卷盘的材质为PVC, 卷盘的外形尺寸为 ϕ 330*30.4;
 - 1.3 卷带的材质为PVC, 卷带的外形尺寸为20200*24.00*2.6mm
2. 包装要求:
- 2.1 将卷带放入包装机后, 前空5PCS, 后放产品1000PCS, 再后空5PCS; 上带留300MM长度。
 - 2.2 将包装好的产品从包装机上取下并包装好;
 - 2.3 把累叠好的12盘叠放入纸箱中共计12Kset;
 - 2.4 把包装好的成品打包封箱, 并在纸箱外贴上标签

PART NO: BX-TF-1.85HJ		MATERIAL:		JB Bossie (博锡)	
MODEL NO:		FINSH:			
UNIT: MM	SIZE: A4	COLOR:		TITLE: MicroSD卡(TF卡) 卡座 内焊	
TOLERANCES: X.X=±0.35 X.XX=±0.25 X.XXX=±0.15		GENERAL ANGLE: X.X=±3.0° X.XX=±2.0°		DR:	DWG NO:
				CHK:	SCALE: 1:1
				APP:	SHEET: 2 OF 2
				REV: B/1	

X-ON Electronics

Largest Supplier of Electrical and Electronic Components

Click to view similar products for [Memory Card Connectors](#) category:

Click to view products by [Bossie](#) manufacturer:

Other Similar products are found below :

[6407-249V-25273P](#) [6407-249V-25343P](#) [6426-201-21343](#) [69.920.0553.0](#) [MCR60A-98D-2.54DSA\(70\)](#) [809180410000000](#) [DM3AT-SF-PEJM5\(41\)](#) [IC11S-BUR-PNEJL\(71\)](#) [C70210M0083692](#) [2041353-2](#) [308-DS1P0811-192](#) [HM2P09PDR360N9LF](#) [10014744-011TLF](#) [11327-001](#) [11327-002](#) [NX1-32T-KT3K\(05\)](#) [95622-003LF](#) [84648-056HLF](#) [CCM03-3109 B LFT](#) [MS3116J10-6PW](#) [2309923-1](#) [61126-050CAHLF](#) [GTFP08432B1HR](#) [G85D1160022HHR](#) [SCE2MSDB76A121SN](#) [SCE2MSDZN76A121SN](#) [10014744-011ALF](#) [10014744-011LF](#) [10057542-1211FLF](#) [10067972-000LF](#) [10067972-050LF](#) [10122302-20110LF](#) [G85D1162022HHR](#) [TF-05A](#) [XKNANO-1412](#) [SMN-304-ARP6](#) [MIS11-S1F1-2000-A](#) [SMN-308-ARSP7](#) [MCS-302S-KT1B](#) [SMN-308-ACSP7](#) [K-DYX-008](#) [K-DYX-004](#) [HYCW126-TF18-150B](#) [C7024-03](#) [SMO-1030](#) [MCS-110-KT](#) [SIM-217](#) [SNO-1355-KT](#) [SMO-1025-P10](#) [SIM-211S-P6](#)