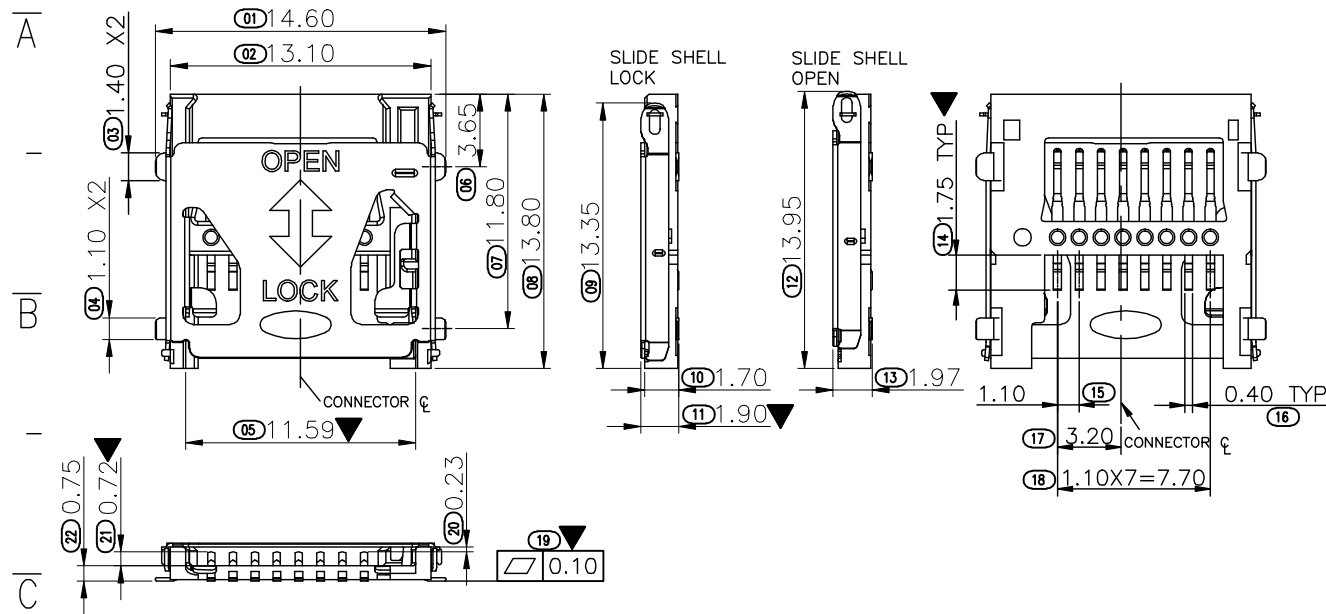


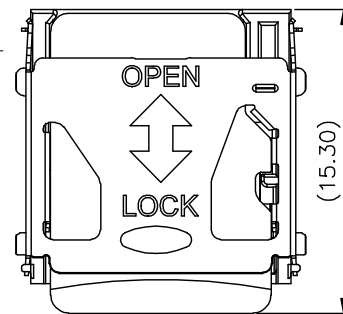
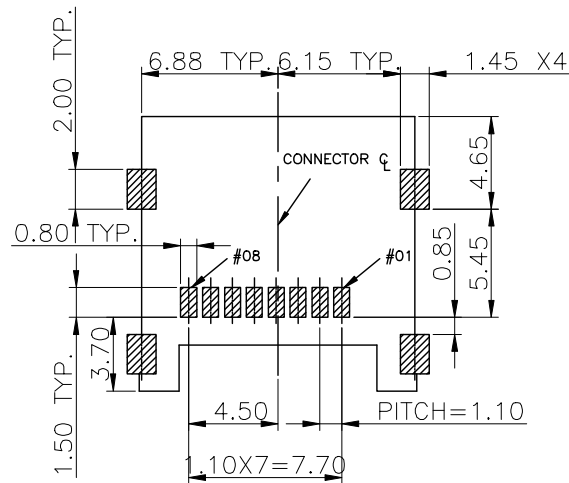
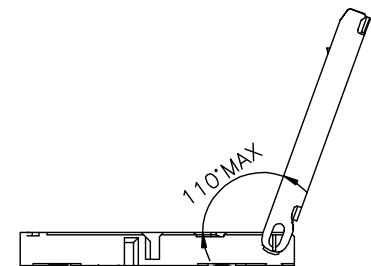
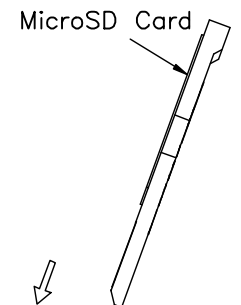
RoHS

REV.	EC#	DESCRIPTION	DATE	DRAWING	CHECKED	APPROVED
A0		NEW RELEASE				
A1	ECN1711008	取消MD塑胶面凸点, 增加重点标示				



NOTES:

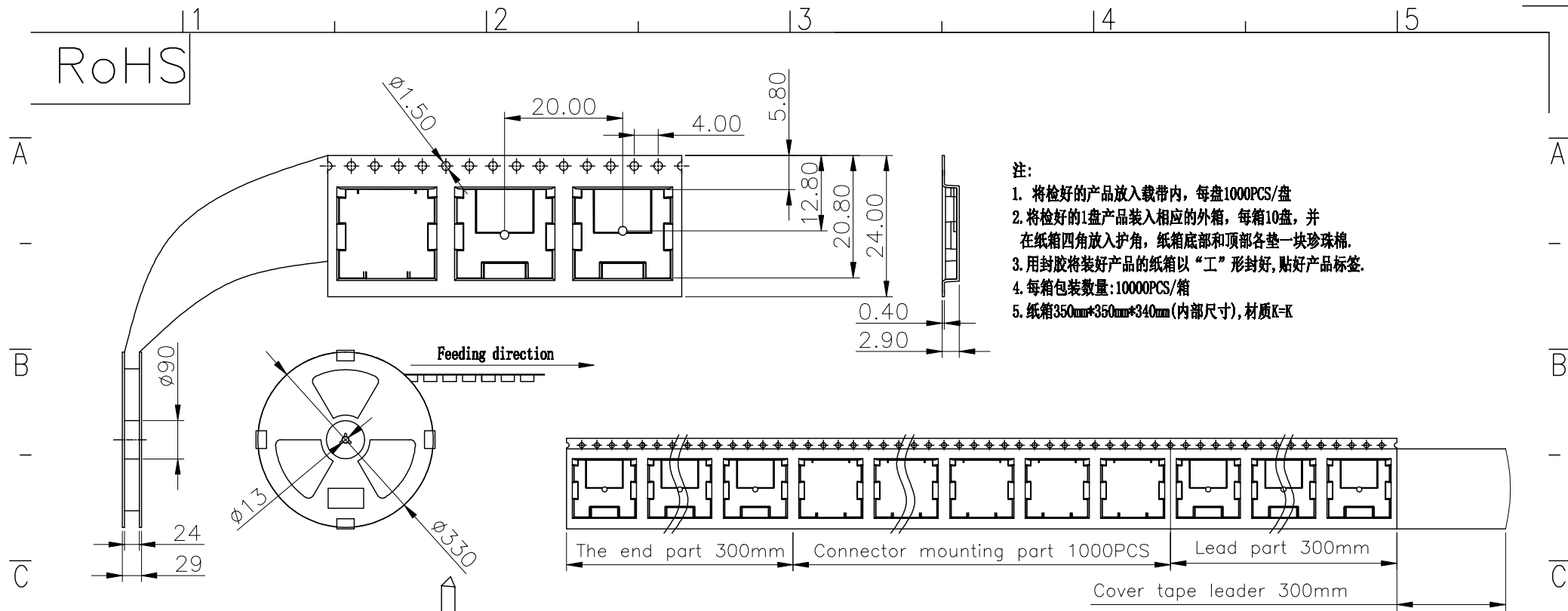
- MATERIAL:  
INSULATOR: HIGH TEMPERATURE THERMO PLASTIC  
FLAMMABILITY RATING: UL94V-0 COLOR: BLACK  
CONTACT: COPPER ALLOYS  
COVER: STAINLESS STEEL
- CONTACT AREA PLATING: GOLD 15U" OVER NI
- SOLDER TAIL COPLANARITY MUST BE WITHIN 0.10MAX.



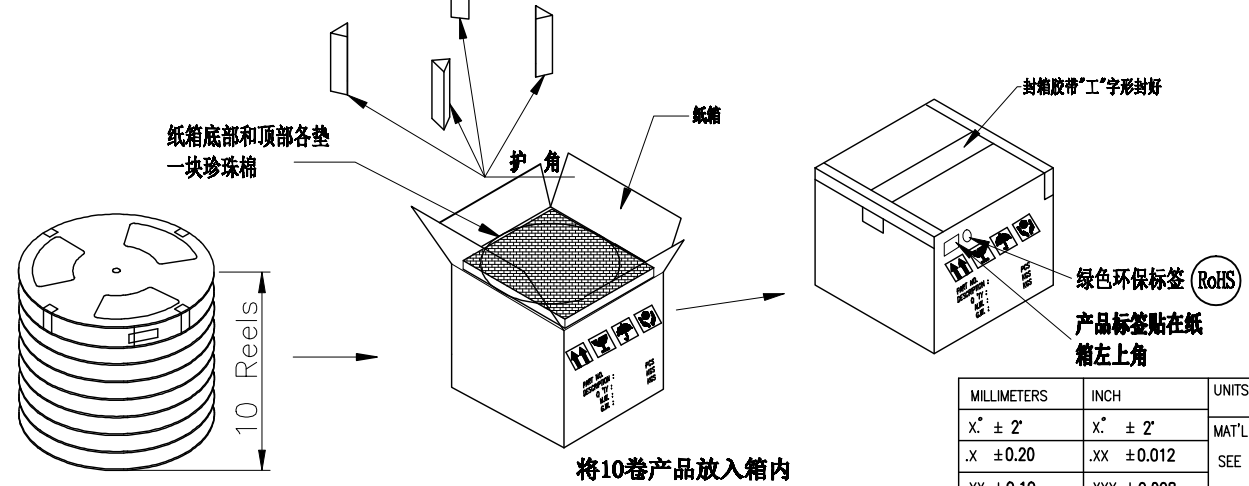
PIN NO.	NAME
#01	DAT2
#02	CD/DAT3
#03	CMD
#04	VDD
#05	CLK
#06	VSS
#07	DAT0
#08	DAT1

MILLIMETERS	INCH	UNITS	Bossie (博锡)			
X. <sup>*</sup> ± 2 <sup>*</sup>	X. <sup>*</sup> ± 2 <sup>*</sup>	MM	PART NUMBER:		TITLE:	
.X ± 0.30	.XX ± 0.012	MAT'L	BX-TF-1.9HJ		Mi croSD卡(TF卡) 卡座	
.XX ± 0.20	.XXX ± 0.008	SEE NOTES	APPD:		DWG NO.:	
.XXX ± 0.10	.XXXX ± 0.004	FINISH	CHKD:		SCALE SHEET REV.	
THESE DRAWINGS AND SPECIFICATIONS ARE THE PROPERTY OF Jin Bi Lai Electronics Group COPIED OR USED IN ANY MANNER WITHOUT THE PRIOR WRITTEN CONSENT OF Jin Bi Lai Electronics Group IS PROHIBITED.			QTY		1:1 1/2 A1	
			SEE NOTES		DR:	

RoHS



- 注:
1. 将检好的产品放入载带内, 每盘1000PCS/盘
  2. 将检好的1盘产品装入相应的外箱, 每箱10盘, 并在纸箱四角放入护角, 纸箱底部和顶部各垫一块珍珠棉.
  3. 用封胶将装好产品的纸箱以“工”形封好, 贴好产品标签.
  4. 每箱包装数量: 10000PCS/箱
  5. 纸箱350mm\*350mm\*340mm(内部尺寸), 材质K=K



将10卷产品放入箱内

MILLIMETERS	INCH	UNITS	Bossie (博锡)		
X. ± 2'	X. ± 2'	MM	PART NUMBER: <b>BX-TF-1.9HJ</b> TITLE: <b>M1 croSD卡(TF卡) 卡座</b>		
.X ± 0.20	.XX ± 0.012	MAT'L			
.XX ± 0.10	.XXX ± 0.008	SEE NOTES	APPD:	DWG NO.:	
.XXX ± 0.05	.XXXX ± 0.008	FINISH	CHKD:	SCALE SHEET REV.	
THESE DRAWINGS AND SPECIFICATIONS ARE THE PROPERTY OF Dong Guan Jin Bi Electronic Co.,Ltd			DR:	1:1 2/2 A1	
COPIED OR USED IN ANY MANNER WITHOUT THE PRIOR WRITTEN CONSENT OF Dong Guan Jin Bi Electronic Co.,Ltd			SEE NOTES		

## X-ON Electronics

Largest Supplier of Electrical and Electronic Components

*Click to view similar products for [Memory Card Connectors](#) category:*

*Click to view products by [Bossie](#) manufacturer:*

Other Similar products are found below :

[6407-249V-25273P](#) [6407-249V-25343P](#) [6426-201-21343](#) [69.920.0553.0](#) [MCR60A-98D-2.54DSA\(70\)](#) [809180410000000](#) [DM3AT-SF-PEJM5\(41\)](#) [IC11S-BUR-PNEJL\(71\)](#) [C70210M0083692](#) [2041353-2](#) [308-DS1P0811-192](#) [HM2P09PDR360N9LF](#) [10014744-011TLF](#) [11327-001](#) [11327-002](#) [NX1-32T-KT3K\(05\)](#) [95622-003LF](#) [84648-056HLF](#) [CCM03-3109 B LFT](#) [MS3116J10-6PW](#) [2309923-1](#) [61126-050CAHLF](#) [GTFP08432B1HR](#) [G85D1160022HHR](#) [SCE2MSDZN76A121SN](#) [10014744-011ALF](#) [10014744-011LF](#) [10057542-1211FLF](#) [10067972-000LF](#) [10067972-050LF](#) [10122302-20110LF](#) [G85D1162022HHR](#) [TF-05A](#) [M6014-12](#) [XKNANO-1412](#) [SMN-304-ARP6](#) [MIS11-S1F1-2000-A](#) [SMN-308-ARSP7](#) [MCS-302S-KT1B](#) [SMN-308-ACSP7](#) [K-DYX-008](#) [K-DYX-004](#) [C7024-03](#) [SMO-1030](#) [MCS-110-KT](#) [SIM-217](#) [SNO-1355-KT](#) [SMO-1025-P10](#) [SIM-211S-P6](#) [SNO-1440](#)