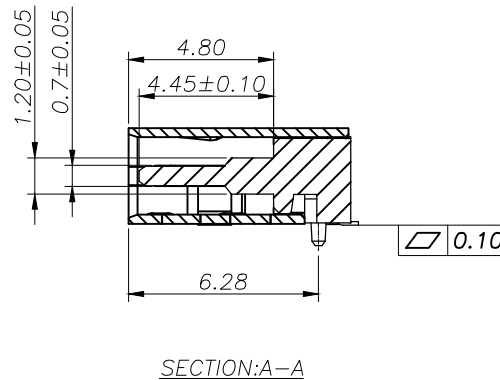
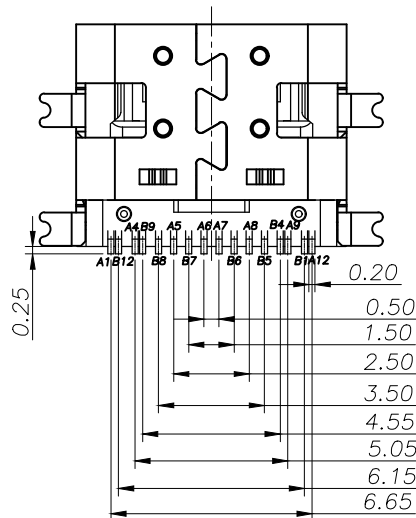
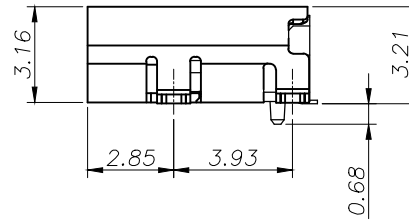
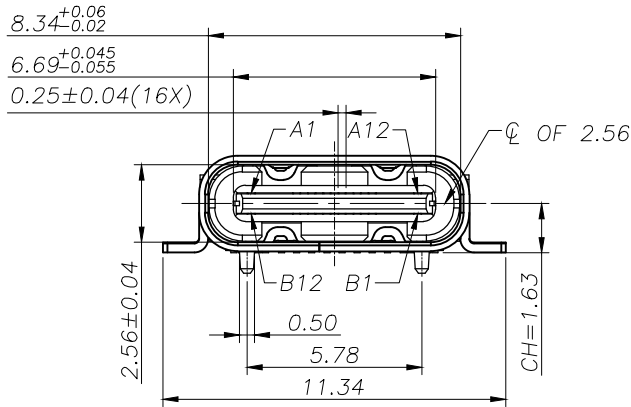
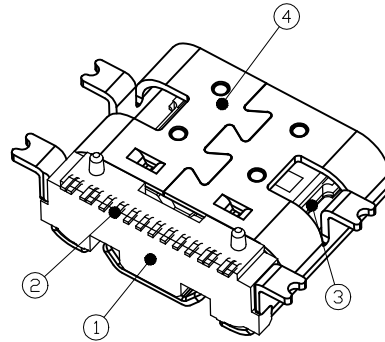
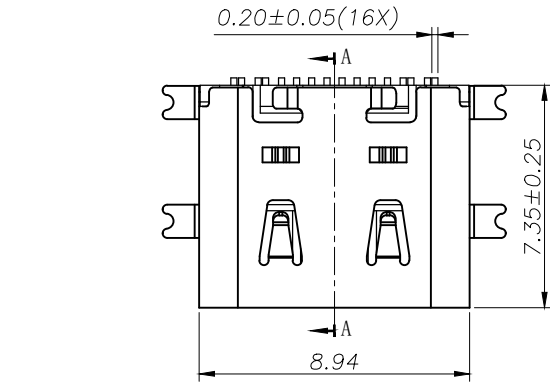


申明: 凡是没有产品料号或有“PRELIMINARY”标示的产品图均为临时图面暂不能生产/DECLARATION: ALL PRODUCT DRAWINGS WITHOUT THE PART NUMBER OR WITH "PRELIMINARY" LABEL ARE TEMPORARY DRAWINGS CAN NOT BE PRODUCED

REV.	ECN NO.	DESCRIPTION	DATE	DESIGN
B	ECN NO.	UPDATE THE DRAWING		
C	ECN NO.	UPDATE THE DRAWING		



NOTE:

1.MATERIAL SPECIFICATION:

- 1.HOUSING:HIGH TEMPERATURE RESISTANT PLASTIC,UL94 V-0.
- 2.TERMINAL: COPPER ALLOY(C1815)
- 3.MID PLATE: STAINLESS STEEL(SUS301)
- 4.FRONT SHELL: STAINLESS STEEL(SUS304)

2.PLATING SPECIFICATION:

2-1.TERMINAL:

Ni 50u" MIN. UNDER PLATED OVER ALL.
 Au PLATED ON THE FUNCTIONAL AREA OF CONTACT.
 (GOLD PLATING THICKNESS FOLLOW THE P/N)
 PLATING SPECIFICATIONS OF THE SOLDER AREA FOLLOW THE P/N

2-2.FRONT SHELL:

PLATING SPECIFICATIONS FOLLOW THE P/N

2-3.MID PLATE PLATE:

CLEAR ONLY

3.MECHANICAL PERFORMANCE,

- 3-1.INSERTION FORCE: 0.5~2.0kgf.
- 3-2.REMOVAL FORCE: 0.8kgf~2.0kgf.
- 3-3.DURABILITY: 10000 CYCLES.

4.ELECTRICAL PERFORMANCE,

- 4-1. VOLTAGE RATING:5 V DC/AC (RMS. max)
 CURRENT RATING:5 AMPS. FOR TOTAL VBUS/GND PINS;
 1.25AMPS FOR CC PIN,0.25 AMPS. FOR ALL OTHER CONTACT.
- 4-2. LLCR:
 VBUS & GND PINS AND OTHER PINS: 40mΩ/PIN MAX.
 LLCR MAX. CHANGE OF ALL PINS: 10mΩ.
- 4-3.INSULATION RESISTANCE: 100MΩ MIN
- 4-4.DIELECTRIC WITHSTAND VOLTAGE,AC 100V FOR 1 MINUTE.

5. ENVIRONMENTAL PERFORMANCE:

OPERATING TEMPERATURE: -25°C~+85°C.

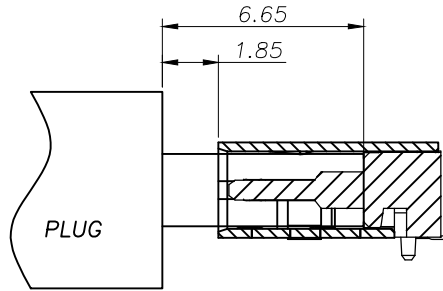
6.IR REFLOW:

THE PEAK TEMPERATURE ON THE BOARD SHALL BE MAINTAINED FOR 10 SECONDS AT 260°C.

TOLERANCE		NAME(INTENDED USE) CUSTOMER DRAWING	Bossie (博锡)		
X.X ±0.30	X.' ±10°	PART NO.	TITLE: Type-C 母座 卧贴		
.XX ±0.20	.X' ± 8°	BX-TYPE-C-MWT16P	DRAWG NO.		
.XXX ±0.10	.XX' ± 5°	DESIGN:			
UNITS	mm	CHED:			
MATERILA		APPD:			
FINISH			SCALE	SHEET	REV.
			1:1	1/3	C

申明: 凡是没有产品料号或有“PRELIMINARY”标示的产品图均为临时图面暂不能生产/DECLARATION: ALL PRODUCT DRAWINGS WITHOUT THE PART NUMBER OR WITH “PRELIMINARY” LABEL ARE TEMPORARY DRAWINGS CAN NOT BE PRODUCED

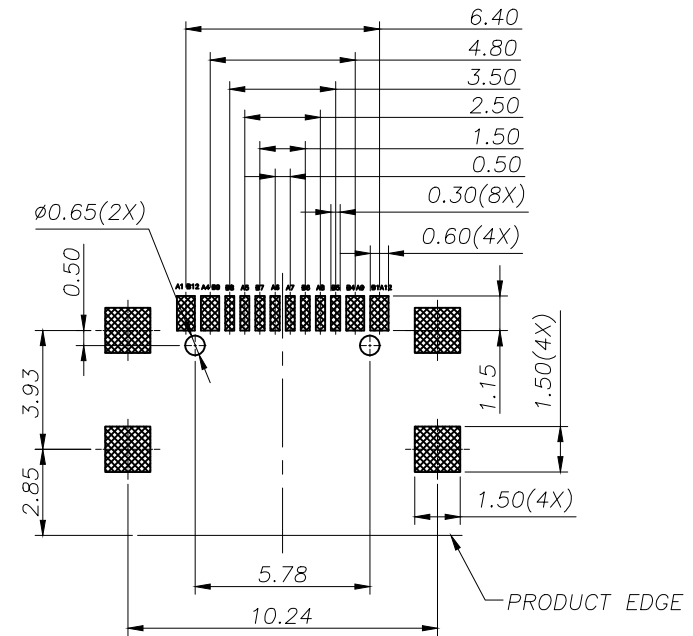
REV.	ECN NO.	DESCRIPTION	DATE	DESIGN
B	ECN NO.	UPDATE THE DRAWING		
C	ECN NO.	UPDATE THE DRAWING		



AFTER MATING

USB TYPE-C PIN ASSIGNMENTS

PIN NUMBER	SIGNAL NAME	PIN NUMBER	SIGNAL NAME
A1	GND	B12	GND
A4	VBUS	B9	VBUS
A5	CC1	B8	SBU2
A6	Dp1	B7	Dn2
A7	Dn1	B6	Dp2
A8	SBU1	B5	CC2
A9	VBUS	B4	VBUS
A12	GND	B1	GND

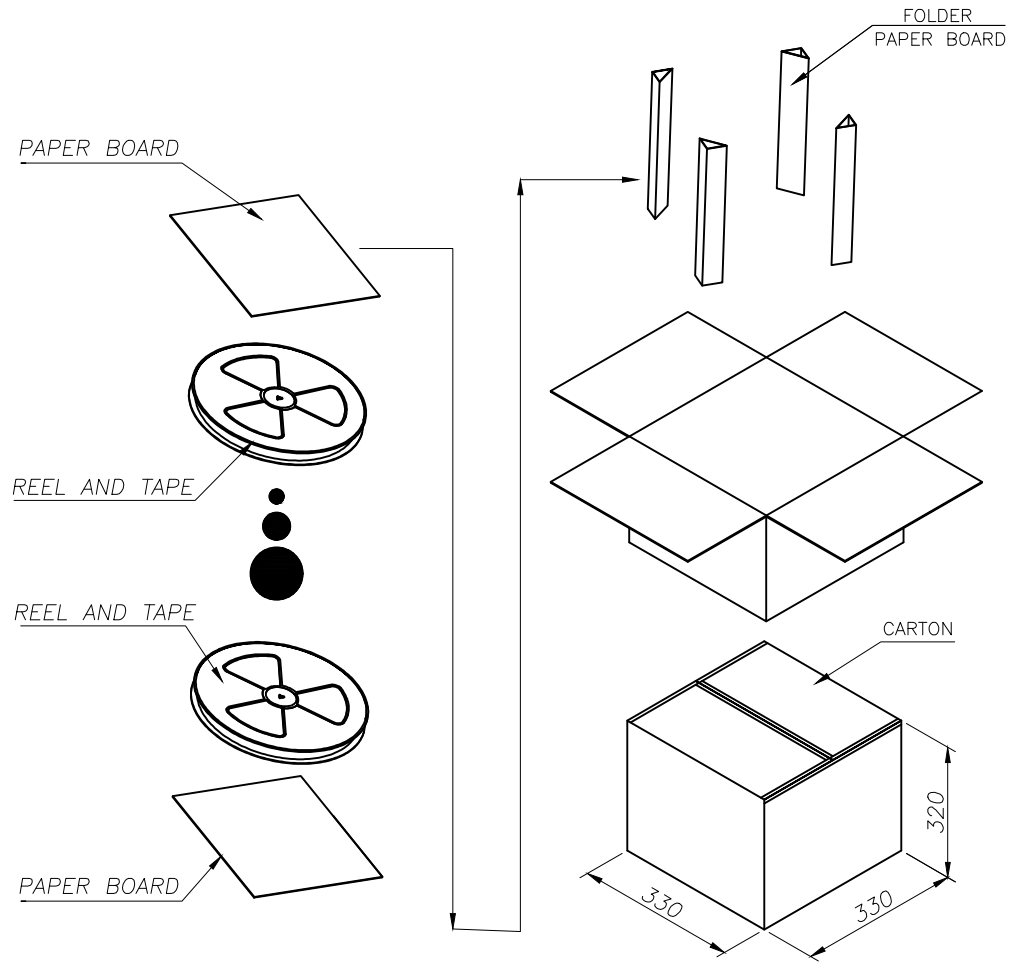
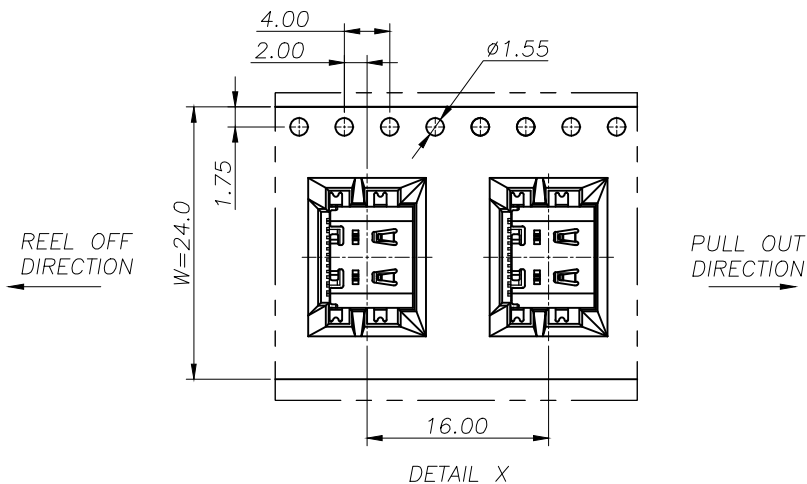
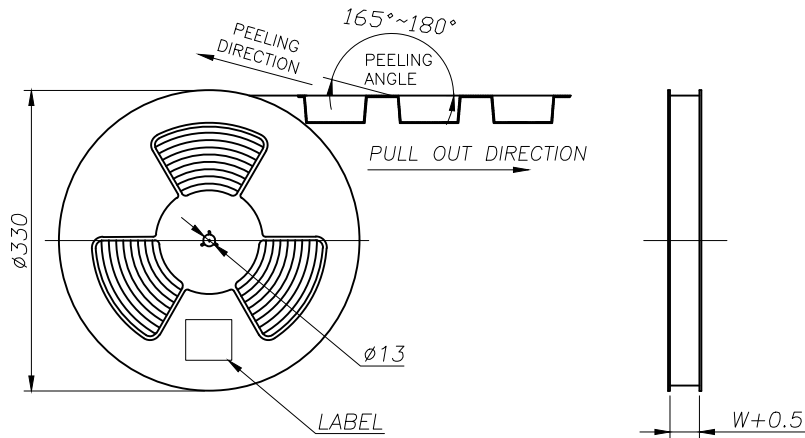
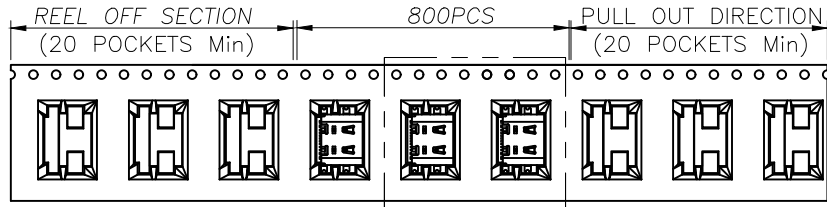


RECOMMENDED PCB LAYOUT(TOP VIEW)
THICKNESS 0.80MM;DEFAULT TOLERANCE:±0.05

TOLERANCE		NAME(INTENDED USE) CUSTOMER DRAWING	Bossie (博锡)		
X.X ±0.30	X.* ±10°	PART NO. BX-TYPE-C-MWT16P	TITLE: Type-C 母座 卧贴		
.XX ±0.20	.X.* ± 8°		DRAWG NO.		
.XXX ±0.10	.XX.* ± 5°		SCALE SHEET REV.		
UNITS	mm	DESIGN:	1:1	2/3	C
MATERILA		CHED:			
FINISH		APPD:			

申明: 凡是没有产品料号或有“PRELIMINARY”标示的产品图均为临时图面暂不能生产 / DECLARATION: ALL PRODUCT DRAWINGS WITHOUT THE PART NUMBER OR WITH "PRELIMINARY" LABEL ARE TEMPORARY DRAWINGS CAN NOT BE PRODUCED

REV.	ECN NO.	DESCRIPTION	DATE	DESIGN
B	ECN NO.	UPDATE THE DRAWING		
C	ECN NO.	UPDATE THE DRAWING		



	REEL	CARTON
CONNECTOR (PCS)	800	8000

TOLERANCE		NAME(INTENDED USE) CUSTOMER DRAWING			
X.X ± 0.30	X.' $\pm 10^{\circ}$	PART NO. BX-TYPE-C-MWT16P			
.XX ± 0.20	.X' $\pm 8^{\circ}$	DESIGN:	DRAWG NO.		
.XXX ± 0.10	.XX' $\pm 5^{\circ}$	CHED:			
UNITS	mm	APPD:	SCALE	SHEET	REV.
MATERILA			1:1	3/3	C
FINISH					

X-ON Electronics

Largest Supplier of Electrical and Electronic Components

Click to view similar products for [USB Connectors](#) category:

Click to view products by [Bossie](#) manufacturer:

Other Similar products are found below :

[950](#) [MUSBD11135](#) [17-200721](#) [217450-1](#) [KMBVX-TH-5S-B30](#) [KUSBX-AS2N-W](#) [KUSBX-SMT2AP1S-W30](#) [935](#) [957](#) [30-498-6](#) [SK-60A-2](#)
[1734082-1](#) [30-470](#) [30-489](#) [30-541](#) [A-USB A-2P-C](#) [MIKROE-1451](#) [USBFTVSCCG](#) [1-1734084-2](#) [10135326-001LF](#) [4198](#) [USB-A-D-VT](#)
[USB-A-S-RA-TSMT](#) [1310-1023-02](#) [690-024-633-031](#) [UB-20PMFP-LC7001](#) [17-200011](#) [UB-20AFMM-LL7A01](#) [1040870124](#) [CAP-](#)
[WCCMLPB1](#) [CAP-WCCMLPC1](#) [2274475-3](#) [UB-20BMFA-SL8001](#) [914-614A2025S10200](#) [USB3FTV7SAGF059](#) [ZX40-B-5S-1500-](#)
[STDA\(30\)](#) [GSB3116344HR](#) [USB3FTV2SAZNF459](#) [USB3FTV7SAZNF459](#) [U221-041N-1WVS62-F5D](#) [HYCW153-USBD05-500B](#)
[HYCW219-USBD05-075B](#) [HYCW148-USBD05-117B](#) [HYCW149-USBD05-740B](#) [HYCW204-USBD05-108B](#) [HYCW214-USBA04-113B](#)
[HYCW213-USBA04-113B](#) [UB-20AMFM-SL7A01](#) [KMMX-BSMT35S-1-B30TR](#) [2345986-1](#)