

»Features

- Excellent clamping capability
- Low leakage current
- Low capacitance
- High surge capability
- Glass passivated chip
- Epoxy resin package
- Built-in strain relief
- Will not fatigue
- RoHS Compliant
- Fast response time:  
typically less than 1.0ps from 0 Volts to  $V_{BR}$  min



SMB (DO-214AA)

»Mechanical Characteristics

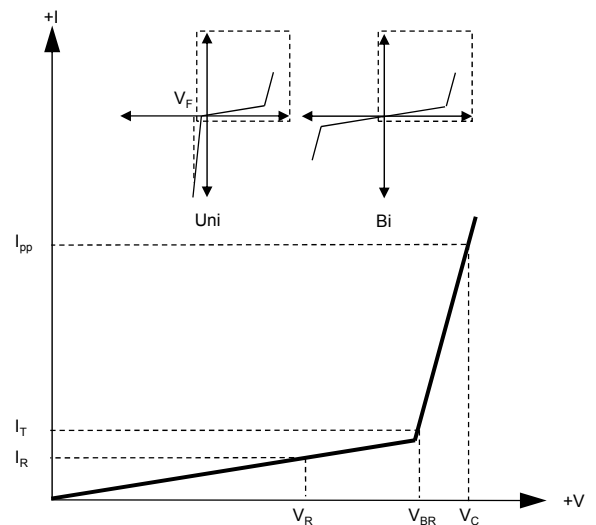
- Package: SMB plastic package.
- Lead Finish: Matte Tin
- Case Material: Epoxy Molding Compound.
- UL Flammability Classification Rating 94V-0
- Moisture Sensitivity: Level 1 per J-STD-020

»Applications

- Telecom
- Computer
- Industrial electronic
- Consumer electronic

»Electrical Parameters

Parameter	Definition
$C_J$	Junction Capacitance - typical capacitance measured with 0V or $V_R$ bias
$I_{PP}$	Peak Pulse Current - maximum rated peak impulse current
$V_C$	Clamping Voltage - Peak voltage measured across the suppressor at a specified $I_{ppm}$ (peak impulse current)
$V_{BR}$	Breakdown Voltage - Maximum voltage that flows through the TVS at a specified test current ( $I_T$ )
$I_R$	Leakage Current - maximum peak off-state current measured at $V_R$
$V_R$	Peak Off-state Voltage - maximum voltage that can be applied while maintaining off state



»Summary of Packing Options

Package	Packing Description	Packing Quantity	Industry Standard
SMB	Tape/Reel, 13" reel	3000	EIA-481-1
	Tape/Reel, 7" reel	500	EIA-481-1

**»Absolute Maximum Ratings ( $T_A=25^{\circ}\text{C}$  unless otherwise noted)**

Parameter	Symbol	Value	Units	Remarks
Peak Pulse Power Dissipation	$P_{PPM}$	1500	W	(Note1)(Note2)
Steady State Power Dissipation	$P_D$	5	W	(Note3)
Peak Forward Surge Current	$I_{FSM}$	150	A	(Note4)
Maximum Instantaneous Forward Voltage at 50A	$V_{FM}$	5	V	(Note5)
Typical Thermal Resistance Junction to Lead	$R_{\theta JL}$	20	$^{\circ}\text{C}/\text{W}$	
Typical Thermal Resistance Junction to Ambient	$R_{\theta JA}$	100	$^{\circ}\text{C}/\text{W}$	
Operating Temperature Range	$T_J$	-55 to 150	$^{\circ}\text{C}$	
Storage Temperature Range	$T_{STG}$	-55 to 150	$^{\circ}\text{C}$	

Notes1: Non-repetitive current pulse , 10/1000us Waveform.

Notes2: Mounted on copper pad area of 5×5mm to each terminal.

Notes3: Infinite HeatSink at  $T_A=50^{\circ}\text{C}$

Notes4: Measured on 8.3ms single half sine wave or equivalent square wave, duty cycle=4 perminute maximum.

Notes5: For UnidirectionalOnly,  $V_{FM}<3.5\text{V}$  for  $V_{BR} \leq 200\text{V}$  and  $V_{FM}<5.0\text{V}$  for  $V_{BR} \geq 201\text{V}$ .

**»Electrical Characteristics ( $T_A=25^{\circ}\text{C}$  unless otherwise noted)**

Part Number (Uni)	Part Number (Bi)	Reverse Stand off Voltage $V_R$ (V)	Breakdown Voltage $V_{BR} @ I_T$ (V)		Test Current $I_T$ (mA)	Maximum Clamping Voltage $V_C @ I_{PP}$ (V)	Maximum Peak Pulse Current $I_{PP}$ (A)	Maximun Reverse Leakage $I_R @ V_R$ ( $\mu\text{A}$ )
			Min	Max				
1.5SMBJ5.0A	1.5SMBJ5.0CA	5	6.4	7	10	9.2	163.0	800
1.5SMBJ6.0A	1.5SMBJ6.0CA	6	6.67	7.37	10	10.3	145.6	800
1.5SMBJ6.5A	1.5SMBJ6.5CA	6.5	7.22	7.98	10	11.2	134.0	500
1.5SMBJ7.0A	1.5SMBJ7.0CA	7	7.78	8.6	10	12	125.0	200
1.5SMBJ7.5A	1.5SMBJ7.5CA	7.5	8.33	9.21	1	12.9	116.3	100
1.5SMBJ8.0A	1.5SMBJ8.0CA	8	8.89	9.83	1	13.6	110.3	50
1.5SMBJ8.5A	1.5SMBJ8.5CA	8.5	9.44	10.4	1	14.4	104.2	20
1.5SMBJ9.0A	1.5SMBJ9.0CA	9	10	11.1	1	15.4	97.4	10
1.5SMBJ10A	1.5SMBJ10CA	10	11.1	12.3	1	17	88.2	5
1.5SMBJ11A	1.5SMBJ11CA	11	12.2	13.5	1	18.2	82.4	1
1.5SMBJ12A	1.5SMBJ12CA	12	13.3	14.7	1	19.9	75.4	1
1.5SMBJ13A	1.5SMBJ13CA	13	14.4	15.9	1	21.5	69.8	1
1.5SMBJ14A	1.5SMBJ14CA	14	15.6	17.2	1	23.2	64.7	1
1.5SMBJ15A	1.5SMBJ15CA	15	16.7	18.5	1	24.4	61.5	1
1.5SMBJ16A	1.5SMBJ16CA	16	17.8	19.7	1	26	57.7	1
1.5SMBJ17A	1.5SMBJ17CA	17	18.9	20.9	1	27.6	54.4	1
1.5SMBJ18A	1.5SMBJ18CA	18	20	22.1	1	29.2	51.4	1
1.5SMBJ20A	1.5SMBJ20CA	20	22.2	24.5	1	32.4	46.3	1
1.5SMBJ22A	1.5SMBJ22CA	22	24.4	26.9	1	35.5	42.3	1
1.5SMBJ24A	1.5SMBJ24CA	24	26.7	29.5	1	38.9	38.6	1

**»Electrical Characteristics ( $T_A=25^{\circ}\text{C}$  unless otherwise noted)**

Part Number (Uni)	Part Number (Bi)	Reverse Stand off Voltage $V_R$ (V)	Breakdown Voltage $V_{BR} @ I_T$ (V)		Test Current $I_T$ (mA)	Maximum Clamping Voltage $V_C @ I_{PP}$ (V)	Maximum Peak Pulse Current $I_{PP}$ (A)	Maximun Reverse Leakage $I_R @ V_R$ ( $\mu\text{A}$ )
			Min	Max				
1.5SMBJ26A	1.5SMBJ26CA	26	28.9	31.9	1	42.1	35.6	1
1.5SMBJ28A	1.5SMBJ28CA	28	31.1	34.4	1	45.4	33.1	1
1.5SMBJ30A	1.5SMBJ30CA	30	33.3	36.8	1	48.4	31.0	1
1.5SMBJ33A	1.5SMBJ33CA	33	36.7	40.6	1	53.3	28.2	1
1.5SMBJ36A	1.5SMBJ36CA	36	40	44.2	1	58.1	25.8	1
1.5SMBJ40A	1.5SMBJ40CA	40	44.4	49.1	1	64.5	23.3	1
1.5SMBJ43A	1.5SMBJ43CA	43	47.8	52.8	1	69.4	21.6	1
1.5SMBJ45A	1.5SMBJ45CA	45	50	55.3	1	72.7	20.6	1
1.5SMBJ48A	1.5SMBJ48CA	48	53.3	58.9	1	77.4	19.4	1
1.5SMBJ51A	1.5SMBJ51CA	51	56.7	62.7	1	82.4	18.2	1
1.5SMBJ54A	1.5SMBJ54CA	54	60	66.3	1	87.1	17.2	1
1.5SMBJ58A	1.5SMBJ58CA	58	64.4	71.2	1	93.6	16.1	1
1.5SMBJ60A	1.5SMBJ60CA	60	66.7	73.7	1	96.8	15.5	1
1.5SMBJ64A	1.5SMBJ64CA	64	71.1	78.6	1	103	14.6	1
1.5SMBJ70A	1.5SMBJ70CA	70	77.8	86	1	113	13.3	1
1.5SMBJ75A	1.5SMBJ75CA	75	83.3	92.1	1	121	12.4	1

»Rating And Characteristic Curves ( $T_A=25^\circ\text{C}$  unless otherwise noted)

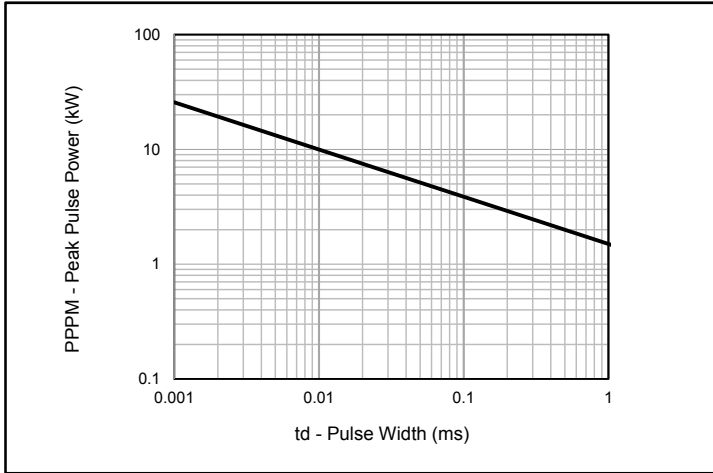


Fig.1 - Peak Pulse Power Rating

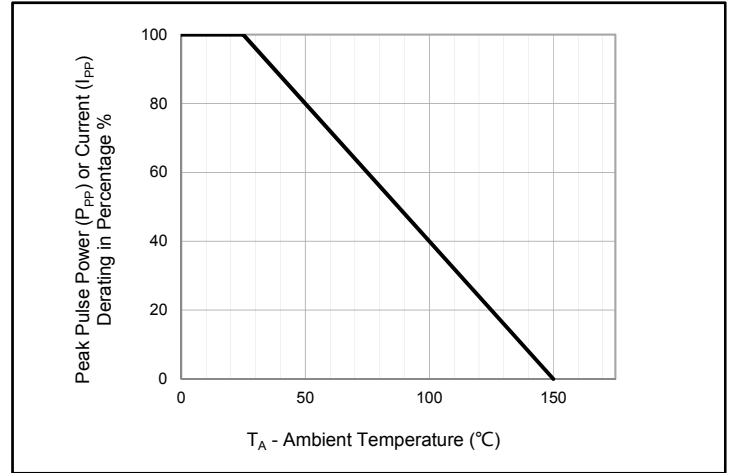


Fig.2 - Pulse Derating Curve

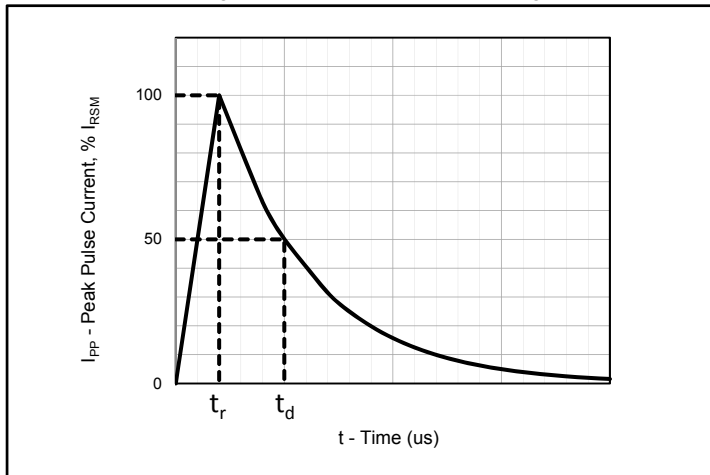


Fig.3 - Pulse Waveform

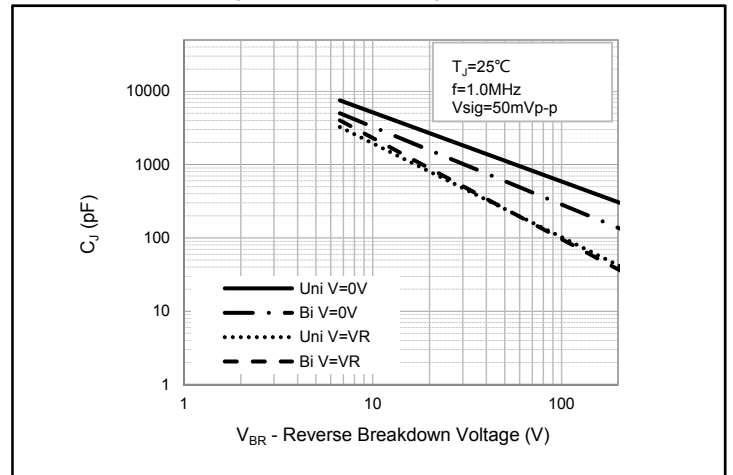


Fig.4 - Typical Junction Capacitance

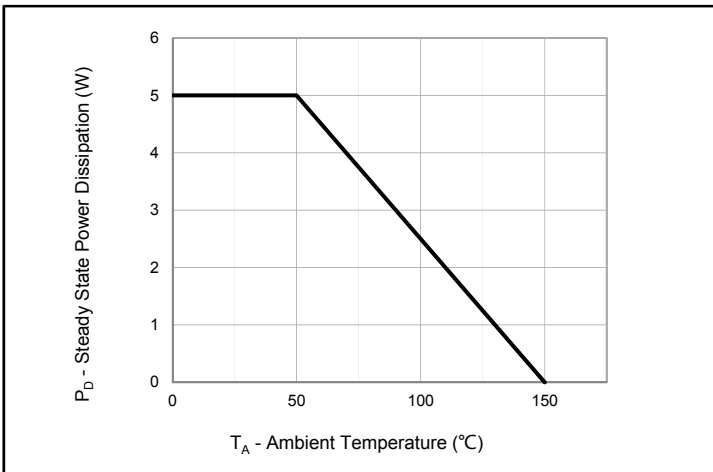


Fig.5 - Steady State Power Dissipation Derating Curve

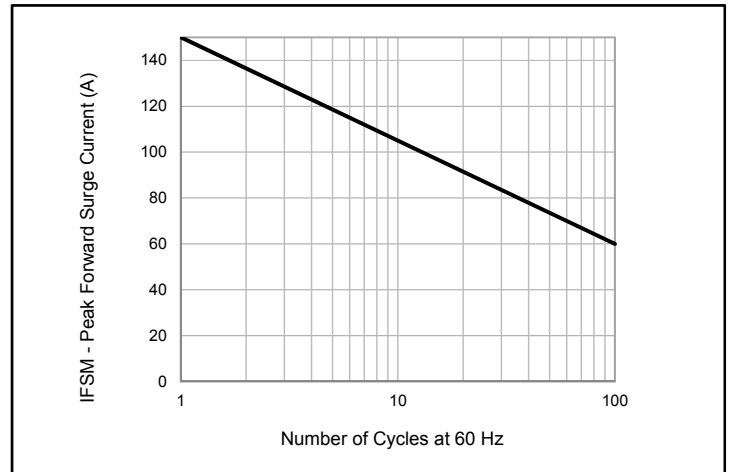
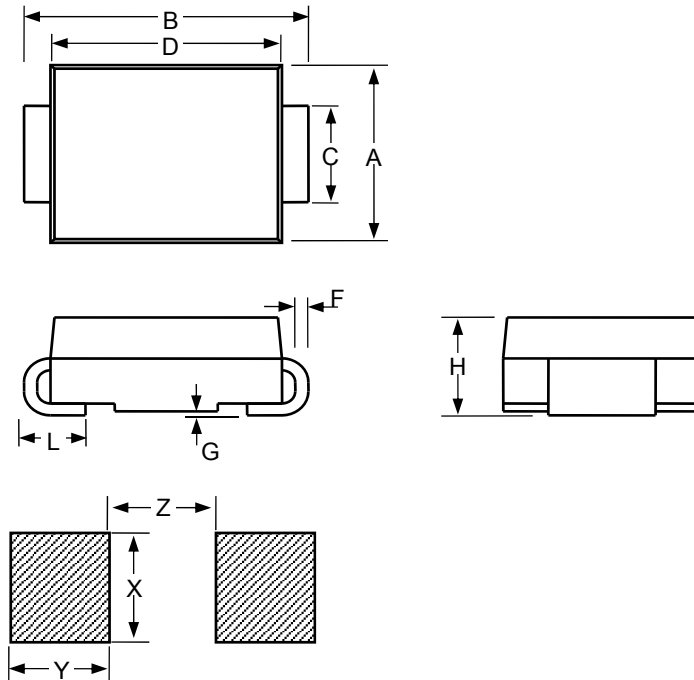


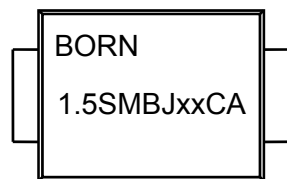
Fig.6 - Maximum Non-Repetitive Peak Forward Surge Current  
Uni-Directional Only

»Package Dimensions

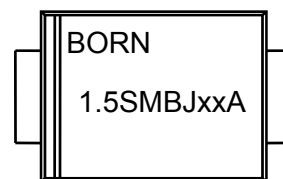


SMB						
Dimension	Inches			Millimeters		
	MIN	NOM	MAX	MIN	NOM	MAX
A	0.134	0.144	0.155	3.4	3.67	3.94
B	0.205	0.213	0.22	5.21	5.4	5.59
C	0.075	0.079	0.083	1.9	2	2.1
D	0.169		0.185	4.3		4.7
F	0.006		0.012	0.152		0.305
G	-		0.008	-		0.203
H	0.085	0.091	0.096	2.15	2.3	2.45
L	0.03		0.06	0.76		1.52
X		0.11			2.8	
Y		0.079			2	
Z		0.079			2	

»Marking Information

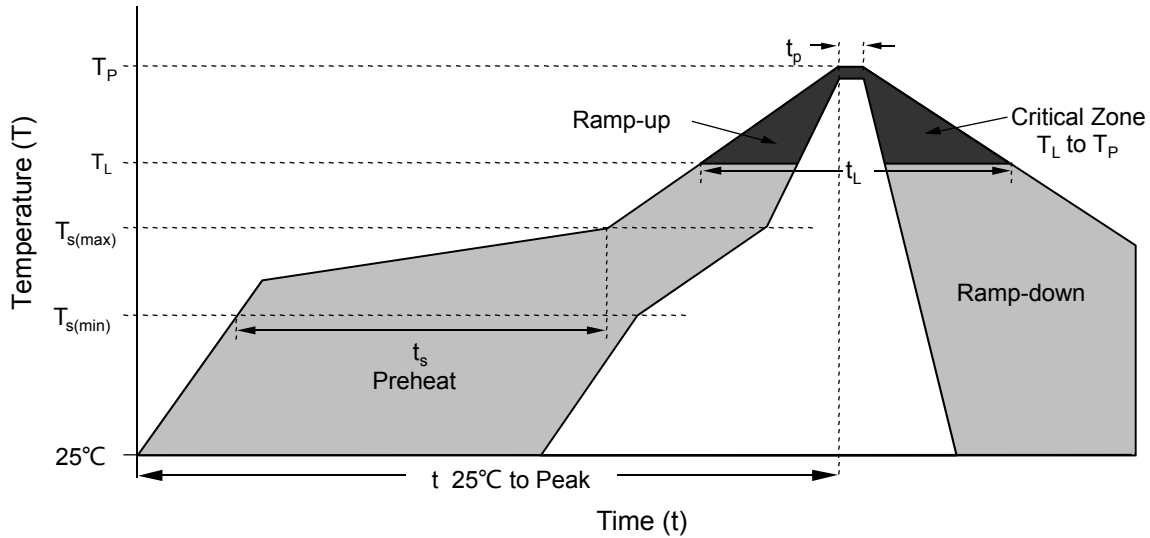


Bidirection



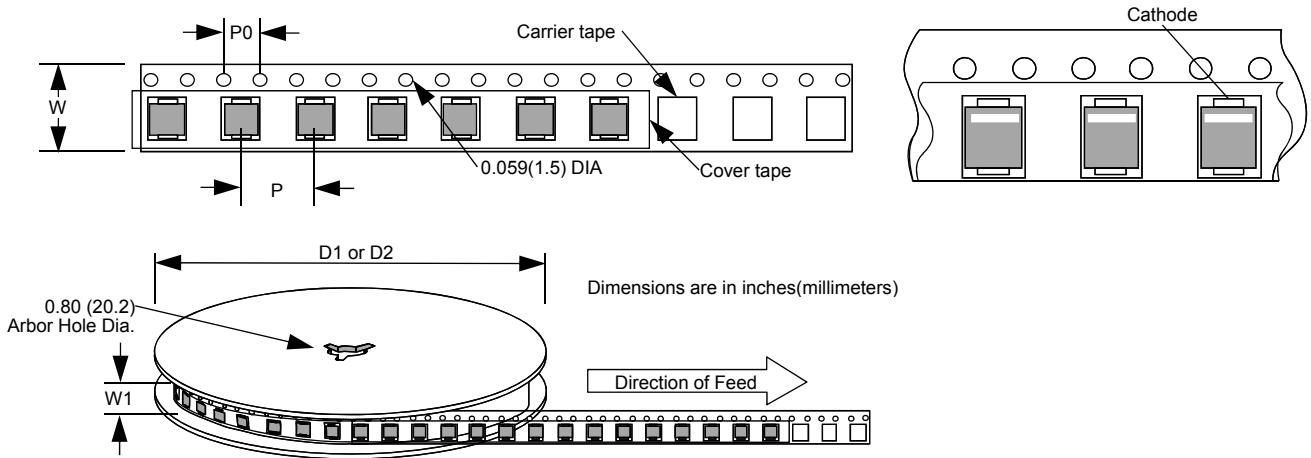
Unidirection

»Soldering Parameters



Reflow Condition		Lead-free assembly
Pre Heat	- Temperature Min ( $T_{s(min)}$ )	150°C
	- Temperature Max ( $T_{s(max)}$ )	200°C
	- Time (min to max) ( $t_s$ )	60 – 180 secs
Average ramp up rate (Liquidus Temp ( $T_L$ ) to peak)		3°C/second max
$T_{s(max)}$ to $T_L$ - Ramp-up Rate		3°C/second max
Reflow	- Temperature ( $T_L$ ) (Liquidus)	217°C
	- Time ( $t_L$ )	60 – 150 secs
Peak Temperature ( $T_P$ )		260 <sup>+0/-5</sup> °C
Time within 5°C of actual peak Temperature ( $t_p$ )		20 – 40 secs
Ramp-down Rate		6°C/second max
Time 25°C to peak Temperature (t)		8 minutes Max.
Do not exceed		260°C

»Tape and Reel Specification



Dimension	Inches			Millimeters		
	MIN	NOM	MAX	MIN	NOM	MAX
P		0.315			8	
P0		0.157			4	
W		0.472			12	
W1		0.492			12.5	
D1		7			177.8	
D2		13			330.2	

## X-ON Electronics

Largest Supplier of Electrical and Electronic Components

*Click to view similar products for [ESD Suppressors / TVS Diodes](#) category:*

*Click to view products by [Bourne](#) manufacturer:*

Other Similar products are found below :

[60KS200C](#) [D18V0L1B2LP-7B](#) [D5V0F4U5P5-7](#) [NTE4902](#) [P4KE27CA](#) [P6KE11CA](#) [P6KE8.2A](#) [SA60CA](#) [SA64CA](#) [SMBJ12CATR](#)  
[SMBJ33CATR](#) [SMBJ6.5A](#) [SMBJ8.0A](#) [ESD101-B1-02ELS E6327](#) [ESD112-B1-02EL E6327](#) [ESD7451N2T5G](#) [19180-510](#) [CPDT-5V0USP-](#)  
[HF](#) [3.0SMCJ33CA-F](#) [3.0SMCJ36A-F](#) [HSPC16701B02TP](#) [JANTX1N6126A](#) [D3V3Q1B2DLP3-7](#) [D55V0M1B2WS-7](#) [SCM1293A-04SO](#)  
[ESD200-B1-CSP0201 E6327](#) [SM12-7](#) [CEN955 W/DATA](#) [VESD12A1A-HD1-GS08](#) [CPDQC5V0-HF](#) [D1213A-01LP4-7B](#) [ESD101-B1-02EL](#)  
[E6327](#) [AOZ8808DI-03](#) [5KP15A](#) [5KP48A](#) [5KP90A](#) [ESD3V3D7-TP](#) [15KPA36A-LF](#) [P4KE56CA](#) [P4KE68A](#) [P4KE91CATR](#) [P6KE120A](#)  
[P6KE13CA](#) [P6KE43CA](#) [P6KE6.8CA](#) [P6KE8.2](#) [P6SMBJ20CA](#) [JANTX1N6072A](#) [SR2835ESKG](#) [SA90CA](#)