

B520N-30

Schottky Barrier Diode

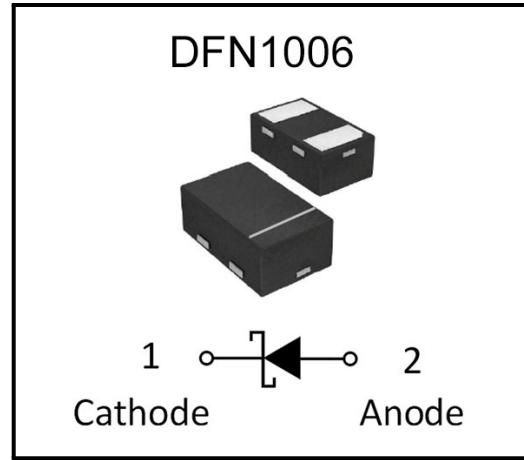
Features

- Low Forward voltage
- Extremely Fast Switching Speed
- Surface Mount Package Ideally Suited for Automatic Insertion Protection

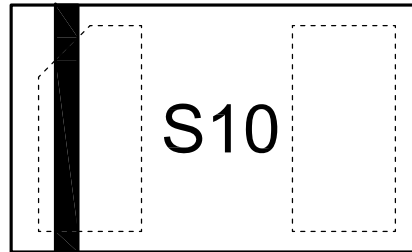
Mechanical Data

- DFN1006 package
- Molding compound flammability rating:UL 94V-0
- Packaging: Tape and Reel
- RoHS/WEEEEE Compliant

Package



Marking



Ordering information

Order code	Package	Base qty	Delivery mode
B520N-30	DFN1006	10K	Tape and reel

Maximum Ratings @T_A=25°C unless otherwise noted

Symbol	Parameter	Value	Unit
V _R	Reverse Voltage	30	V
P _D	Total Device Dissipation	150	mW
R _{θJA}	Thermal Resistance, Junction-to-Ambient	400	°C/W
T _L	Lead Soldering Temperature	260(10seconds)	°C
T _J	Junction Temperature	110	°C
T _{STG}	Storage Temperature	-40 to +150	°C



B520N-30

Schottky Barrier Diode

Electrical Characteristics @T_A=25°C unless otherwise noted

Symbol	Parameter	Test Conditions	Min.	Typ.	Max.	Unit
V _{BR}	Reverse Breakdown Voltage	I _T =10uA	30	–	–	V
V _F	Forward Voltage	I _F =1mA	–	0.30	0.45	V
		I _F =20mA	–	0.40	0.55	V
		I _F =100mA	–	0.45	0.6	V
		I _F =200mA	–	0.55	0.65	V
I _R	Reverse Leakage Current	V _R = 10V, T=25°C	–	–	30	uA
C _J	Diode Capacitance	V _R = 1.0V, f=1MHZ	–	–	35	pF
T _{rr}	Reverse Reverse Time	I _F = 10mA I _F =0.1I _R ,R _L =100Ω	–	–	5	nS



Typical Performance Characteristics ($T_J = 25^\circ\text{C}$, unless otherwise noted)

Figure 1: Forward Characteristics

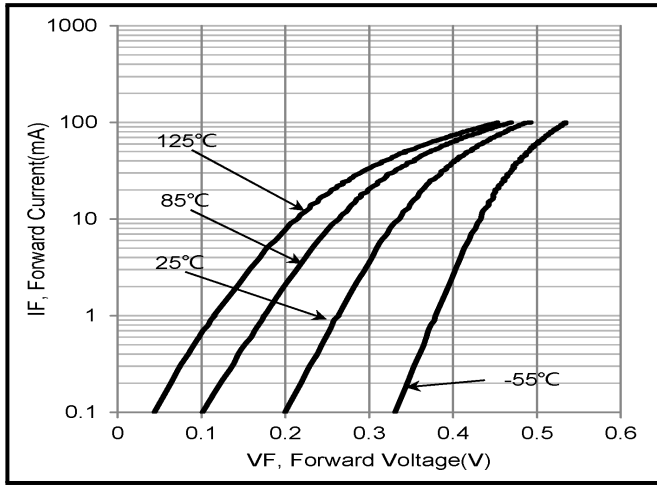


Figure 2: Reverse Characteristics

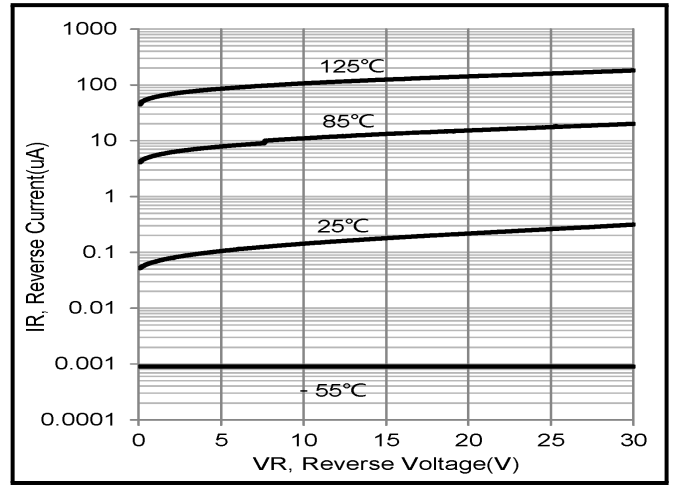
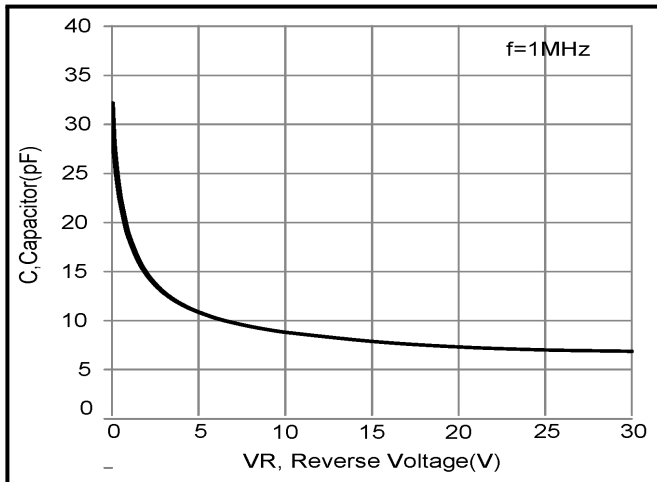


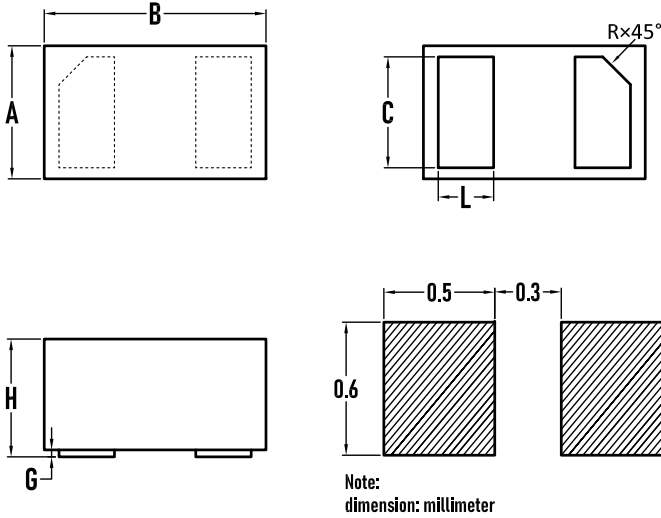
Figure 3: Capacitance Characteristics



B520N-30

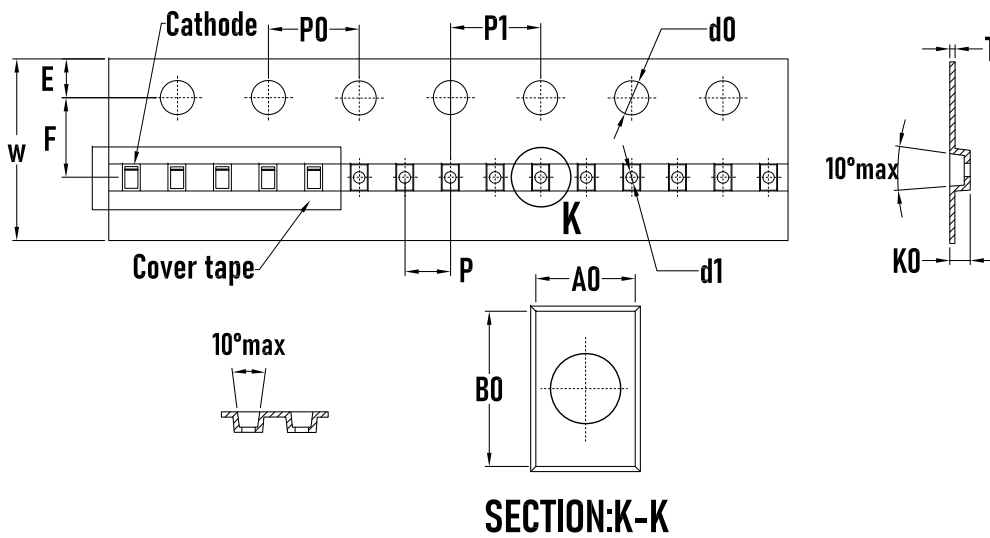
Schottky Barrier Diode

Outline Drawing - DFN1006



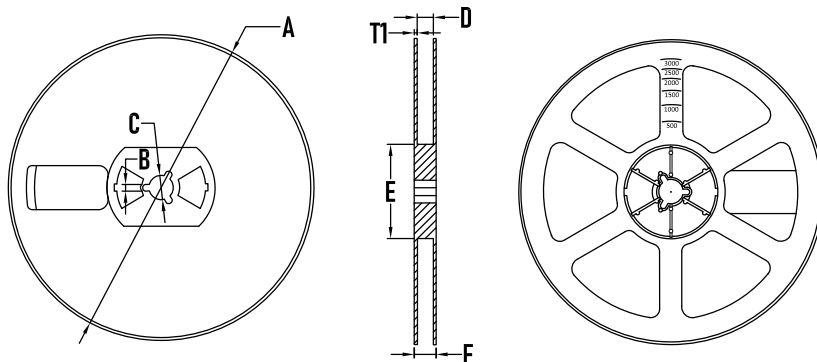
SYMBOL	MILLIMETER		
	MIN.	Typ.	MAX.
A	0.55	0.60	0.65
B	0.95	1.00	1.05
C	0.45	0.50	0.55
L	0.20	0.25	0.30
F	0.05REF		
G	0.00	0.02	0.05
H	0.45	0.50	0.55
R	0.07	0.12	0.17

Packaging Tape - DFN1006



SYMBOL	MILLIMETER
A0	0.71±0.05
B0	1.11±0.05
d0	1.5 ^{+0.1} ₋₀
d1	0.50±0.05
E	1.75±0.10
F	3.50±0.05
K0	0.56±0.05
P	2.00±0.05
P0	4.00±0.10
P1	2.00±0.05
W	8.00 ^{+0.03} _{-0.01}
T	0.2±0.015

Packaging Reel



SYMBOL	MILLIMETER
A	178±1
B	3.5±0.2
C	14.3±0.2
D	9.8 ⁺² ₋₁
E	54.5±0.5
F	12.4±0.2
T1	1.0±0.2
Quantity	10000PCS

**BORN SEMICONDUCTOR, INC. ALL
RIGHT RESERVED**



X-ON Electronics

Largest Supplier of Electrical and Electronic Components

Click to view similar products for [Schottky Diodes & Rectifiers](#) category:

Click to view products by [Bourne](#) manufacturer:

Other Similar products are found below :

[MA4E2039](#) [MMBD301M3T5G](#) [RB160M-50TR](#) [D83C](#) [BAS16E6433HTMA1](#) [BAS 3010S-02LRH E6327](#) [BAT 54-02LRH E6327](#)
[NRVBAF360T3G](#) [NSR05F40QNXT5G](#) [NTE555](#) [JANS1N6640](#) [SS3003CH-TL-E](#) [GA01SHT18](#) [CRS10I30A\(TE85L,QM](#) [MBRA140TRPBF](#)
[MBRB30H30CT-1G](#) [BAT 15-04R E6152](#) [JANTX1N5712-1](#) [DMJ3940-000](#) [SB007-03C-TB-E](#) [NRVBB20100CTT4G](#) [NRVBM120LT1G](#)
[NTSB30U100CT-1G](#) [CRG04\(T5L,TEMQ\)](#) [ACDBA1100LR-HF](#) [ACDBA1200-HF](#) [ACDBA240-HF](#) [ACDBA3100-HF](#) [CDBQC0530L-HF](#)
[ACDBA260LR-HF](#) [ACDBA1100-HF](#) [10BQ015-M3/5BT](#) [NRVBM120ET1G](#) [VSSB410S-M3/5BT](#) [1N5819T-G](#) [PDS1040Q-13](#) [B160BQ-13-F](#)
[SDM05U20CSP-7](#) [BAS 70-07 E6433](#) [B140S1F-7](#) [HSM560Je3/TR13](#) [DDB2265-000](#) [ZHCS506QTA](#) [HSM190Je3/TR13](#) [B330AF-13](#)
[ACDBUC0230-HF](#) [SDM1U100S1F-7](#) [MBR10200CTF-G1](#) [CDLL5712](#) [DMF2822-000](#)