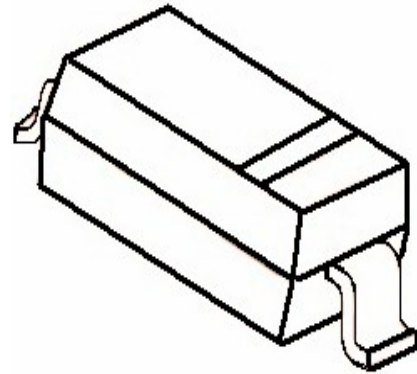


»Features

- Fast Switching Device (TRR <50 nS)
- Power Dissipation of 250mW
- High Stability and High Reliability
- Low reverse leakage

»General Description

- SOD-323 Small Outline Plastic Package
- Polarity: Color band denotes cathode end
- Mounting Position: Any



SOD-323

»Absolute Maximum Ratings @ $T_A=25^{\circ}\text{C}$ unless otherwise noted

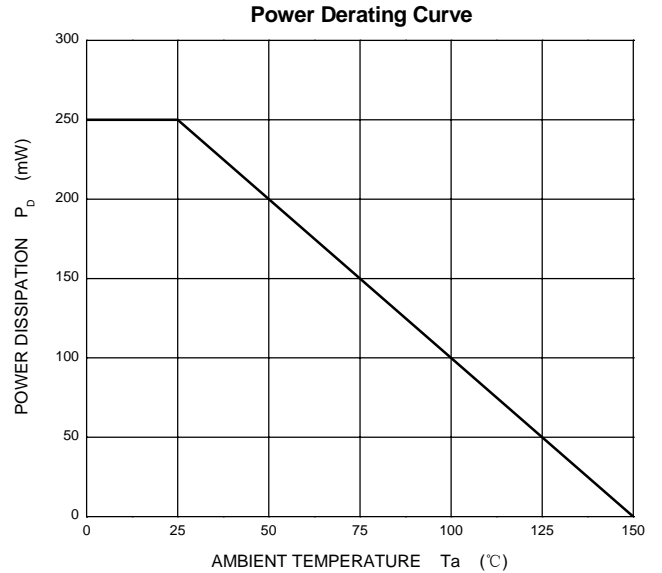
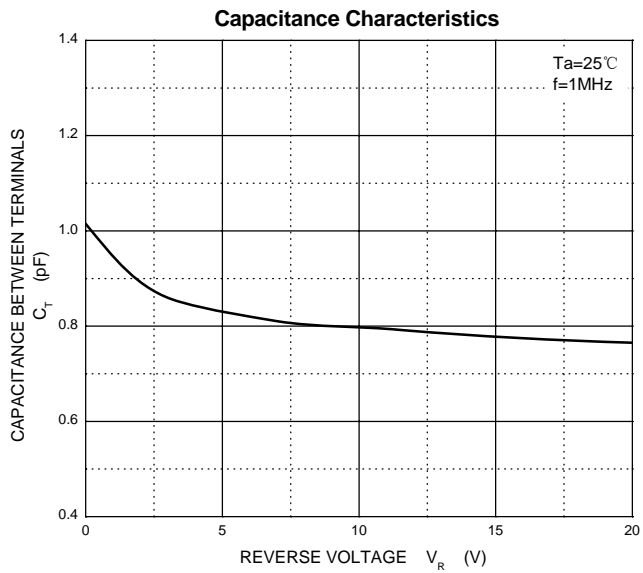
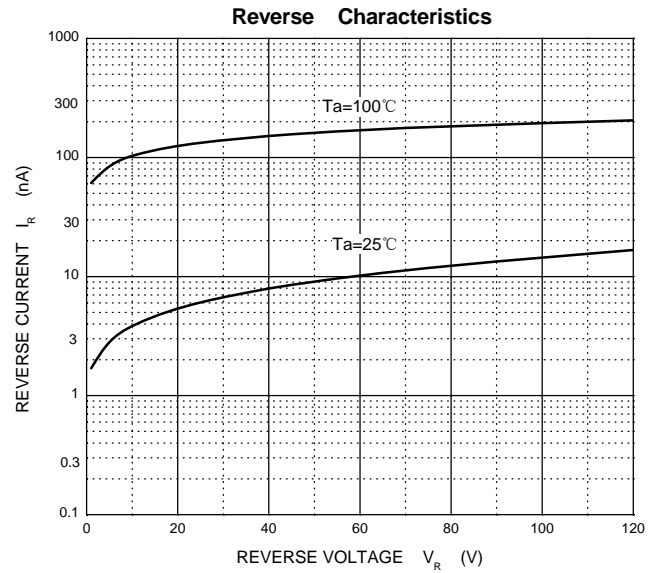
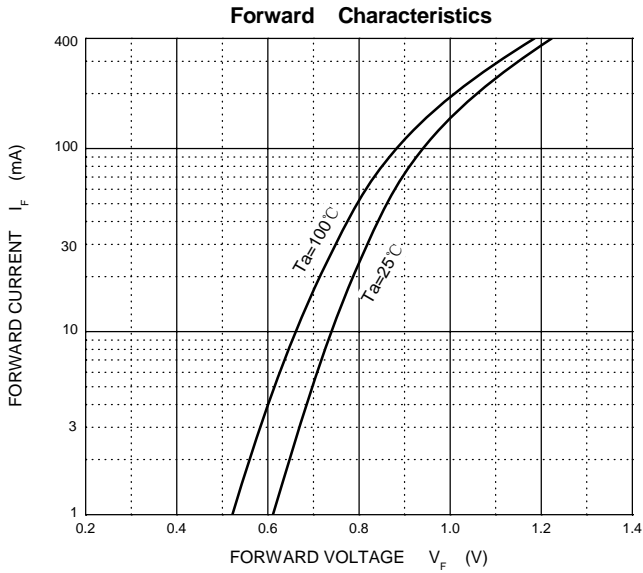
Parameters	Symbol	Value			Unit
		BAV19WS	BAV20WS	BAV21WS	
Reverse Voltage	VR	100	150	250	V
Peak Reverse Voltage	VRM	120	200	250	V
Power Dissipation	Pd	250			mW
Operating junction temperature	Tj	150			$^{\circ}\text{C}$
Storage temperature range	Ts	-65-+150			$^{\circ}\text{C}$
Average Rectified Current	IO	200			mA
Non-repetitive Peak Forward Current	IFM	400			mA
Peak Forward Surge Current @tp=1ms; TA=25 $^{\circ}\text{C}$	IFSM	1.7			A

Valid provided that electrodes are kept at ambient temperature.

»Electrical Characteristics @ $T_A=25^{\circ}\text{C}$ unless otherwise noted

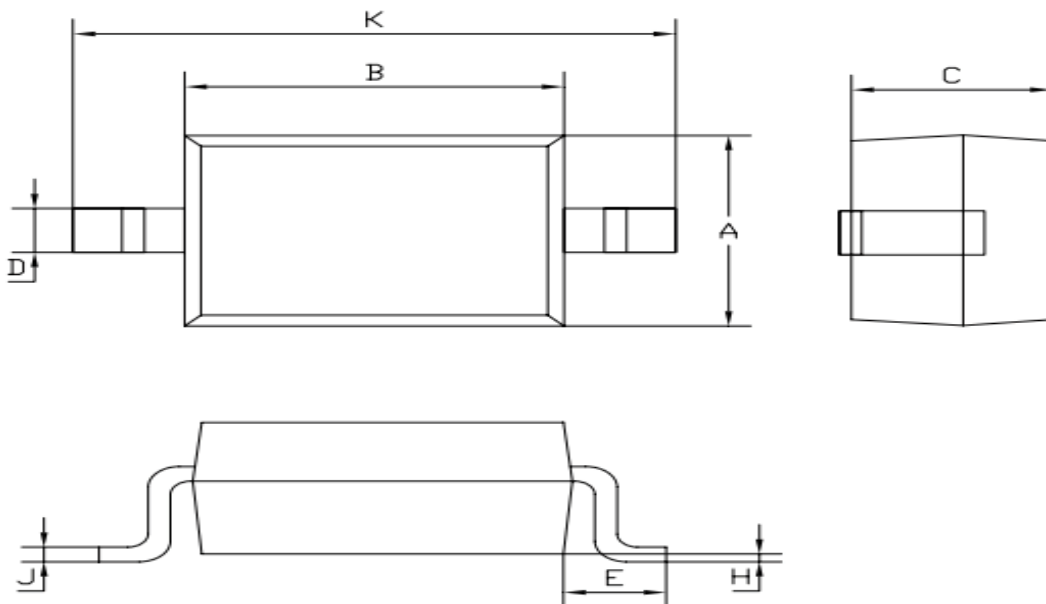
Symbols	Parameter	Test Condition	Limits		Unit
			Min	Max	
VRB	Reverse Voltage	IB=100uA BAV19WS	120	---	V
		BAV20WS	200		
		BAV21WS	250		
IR	Reverse Leakage Current	VR=100V BAV19WS	---	0.1	uA
		VR=150V BAV20WS			
		VR=200V BAV21WS			
VF	Forward Voltage	IF=100mA	---	1.00	V
		IF=200mA	---	1.25	
TRR	Reverse Recovery Time	IF= 30mA, IR=30mA RL=100Ω IRR=3mA	---	50	nS
C	Capacitance	VR=0V, f=1MHZ	---	5	pF

»Typical Performance Characteristics (T_J = 25 °C, unless otherwise noted)



»Package Information

SOD-323



SOD-323		
Dim	Min	Max
A	1.275	1.325
B	1.675	1.725
C	0.9 Typical	
D	0.25	0.35
E	0.27	0.37
H	0.02	0.1
J	0.1 Typical	
K	2.6	2.7

»Ordering information

Order code	Package	Marking	Base qty	Delivery mode
BAV19WS	SOD-323	A8	3K	Tape and reel
BAV20WS	SOD-323	T2	3K	Tape and reel
BAV21WS	SOD-323	T3	3K	Tape and reel

X-ON Electronics

Largest Supplier of Electrical and Electronic Components

Click to view similar products for [Diodes - General Purpose, Power, Switching category:](#)

Click to view products by [Bourne manufacturer:](#)

Other Similar products are found below :

[MCL4151-TR3](#) [MMBD3004S-13-F](#) [RD0306T-H](#) [1N3611](#) [NTE156A](#) [NTE574](#) [NTE6244](#) [1SS193,LF](#) [1SS400CST2RA](#) [SDAA13](#)
[SHN2D02FUTW1T1G](#) [LS4151GS08](#) [1N4449](#) [1N456A](#) [1N4934-E3/73](#) [1N914BTR](#) [RFUH20TB3S](#) [D291S45T](#) [BAV300-TR](#) [BAW56DWQ-](#)
[7-F](#) [BAW56M3T5G](#) [BAW75-TAP](#) [MM230L-CAA](#) [IDW40E65D1](#) [JAN1N3600](#) [JAN1N4454UR-1](#) [LL4151-GS18](#) [SMMSD4148T3G](#)
[BYW95B/A52A](#) [NSVDAN222T1G](#) [CDSZC01100-HF](#) [LL4150-M-08](#) [1N4454-TR](#) [BAV70HDW-7](#) [BAS28-7](#) [JANTX1N6640](#) [BAW56HDW-](#)
[13](#) [BAS28 TR](#) [VS-HFA04SD60STR-M3](#) [NSVM1MA152WKT1G](#) [1SS388-TP](#) [RGP30D-E3/73](#) [VS-8EWF02S-M3](#) [BAV99TQ-13-F](#)
[BAV99HDW-13](#) [MMDB30-E28X](#) [IDP20C65D2XKSA1](#) [LS4148](#) [IDV15E65D2](#) [NSVM1MA152WAT1G](#)