

»Features

- Silicon technology
- Cannot be damaged by voltage
- Low capacitance
- Eliminate voltage overshoot
- Epoxy resin package
- Will not fatigue
- Complies with following standards:
 - GR1089
 - ITU K.20, K.21 and K.45
 - IEC 60950
 - UL 60950
 - TIA-968
- RoHS Compliant



SMB (DO-214AA)

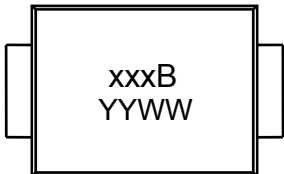
»Mechanical Characteristics

- Package: SMB (3.67×5.4×2.3mm)
- Lead Finish: Matte Tin
- Case Material: "Green" Molding Compound.
- UL Flammability Classification Rating 94V-0
- Moisture Sensitivity: Level 1 per J-STD-020

»Applications

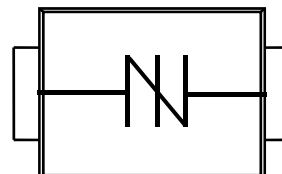
- COMMERCIAL SYSTEMS
- INDUSTRIAL & INSTRUMENTATION
- COMMUNICATIONS

»Marking Information



xxxB = Type Code
YYWW = Date Code

»Pin Configuration



»Summary of Packing Options

Package	Packing Description	Packing Quantity	Industry Standard
SMB	Tape/Reel, 13" reel	3000	EIA-481-1
	Tape/Reel, 7" reel	500	EIA-481-1

» Absolute Maximum Ratings

Parameter	Symbol	Value	Units	Remarks
Peak Pulse Voltage	V_{PP}	4000	V	10/700us
Peak Pulse Current	I_{PP}	80	A	10/1000us
Peak Pulse Current	I_{PK}	250	A	8/20us
Peak One-cycle Surge Current	I_{TSM}	25	A	60Hz
Rate of Rise of Current	di/dt	500	A/us	
Typical Thermal Resistance Junction to Lead	$R_{\theta JL}$	20	°C/W	
Typical Thermal Resistance Junction to Ambient	$R_{\theta JA}$	100	°C/W	
Operating Temperature Range	T_J	-40 to 150	°C	
Storage Temperature Range	T_{STG}	-55 to 150	°C	

» Electrical Characteristics (TA=25°C unless otherwise noted)

Part Number	Marking	I_H mA MIN	V_S V 100KV/S MAX	I_{S_LMT} mA	V_T V @ I_T MAX	I_T A	I_D uA @ V_D MAX	V_D V	C_O pF 1MHz, 2V _{DC} TYP
BEP0080SB	E-8B	40	25	500	4	2.2	5	6	84
BEP0220SB	P02B	40	30	500	4	2.2	5	15	84
BEP0300SB	P03B	40	40	500	4	2.2	5	25	80
BEP0640SB	P06B	120	77	800	4	2.2	5	58	76
BEP0720SB	P07B	120	88	800	4	2.2	5	65	76
BEP0900SB	P09B	120	98	800	4	2.2	5	75	76
BEP1100SB	P11B	120	130	800	4	2.2	5	90	72
BEP1300SB	P13B	120	160	800	4	2.2	5	120	72
BEP1500SB	P15B	120	180	800	4	2.2	5	140	68
BEP1800SB	P18B	120	220	800	4	2.2	5	170	64
BEP2300SB	P23B	120	260	800	4	2.2	5	190	60
BEP2600SB	P26B	120	300	800	4	2.2	5	220	56
BEP3100SB	P31B	120	350	800	4	2.2	5	275	52
BEP3500SB	P35B	120	400	800	4	2.2	5	320	48
BEP4200SB	P42B	120	550	800	4	2.2	5	400	36

»Rating And Characteristic Curves (TA=25°C unless otherwise noted)

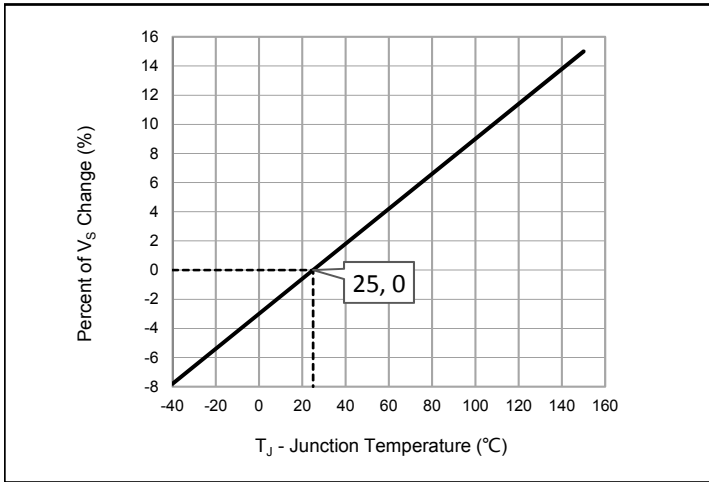


Fig. 1 - Peak Pulse Current Rating

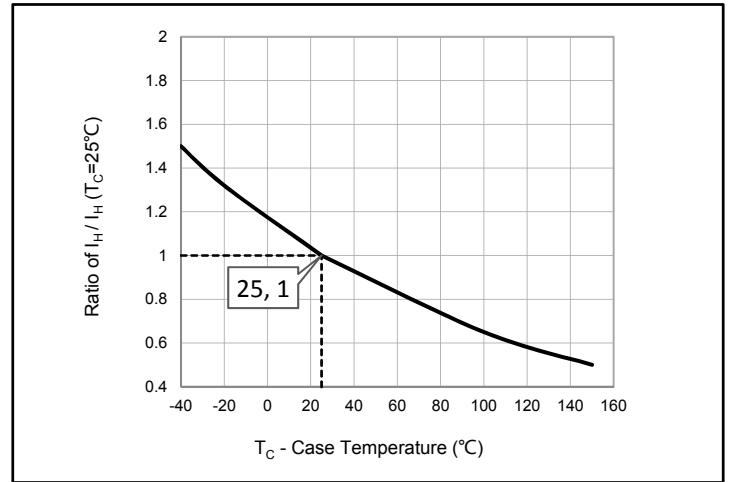


Fig. 2 - Normalized DC Holding Current vs. Case Temperature

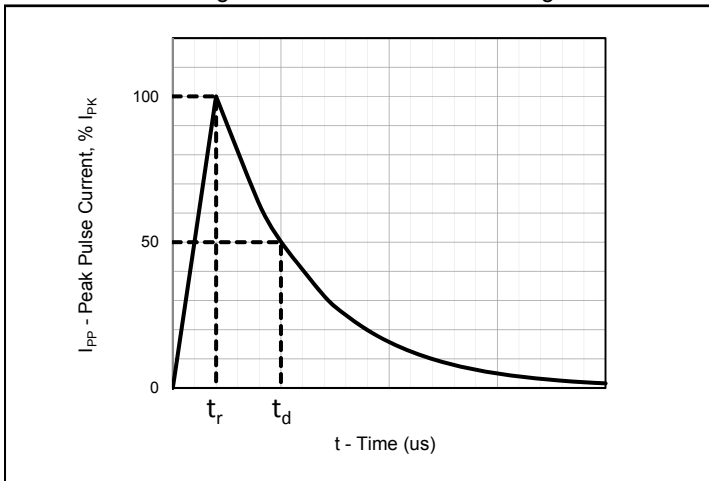


Fig. 3 - tr/td us Pulse Waveform

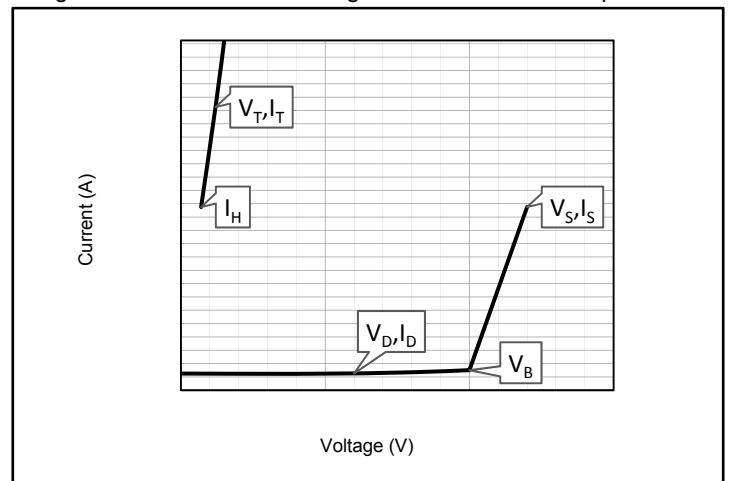


Fig. 4 - VI Curve

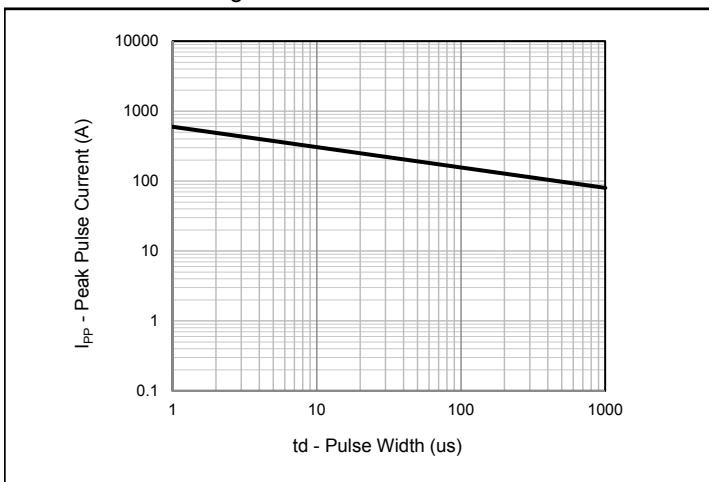


Fig. 5 - Peak Pulse Current Rating

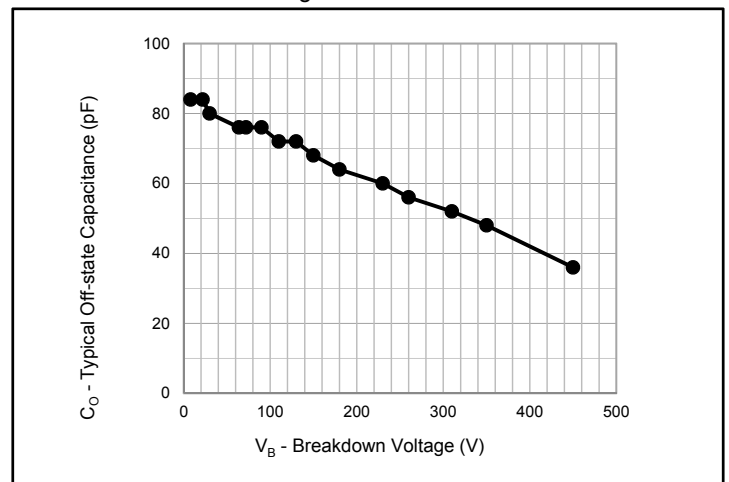
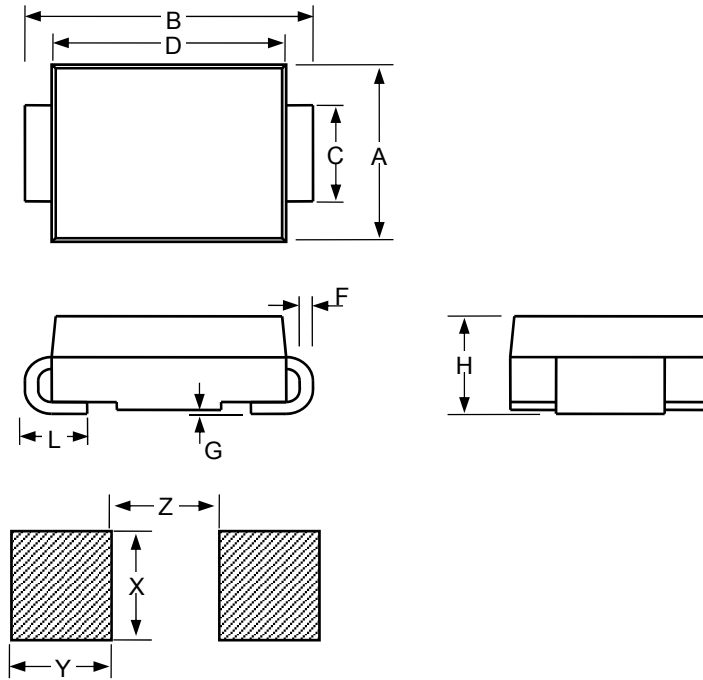


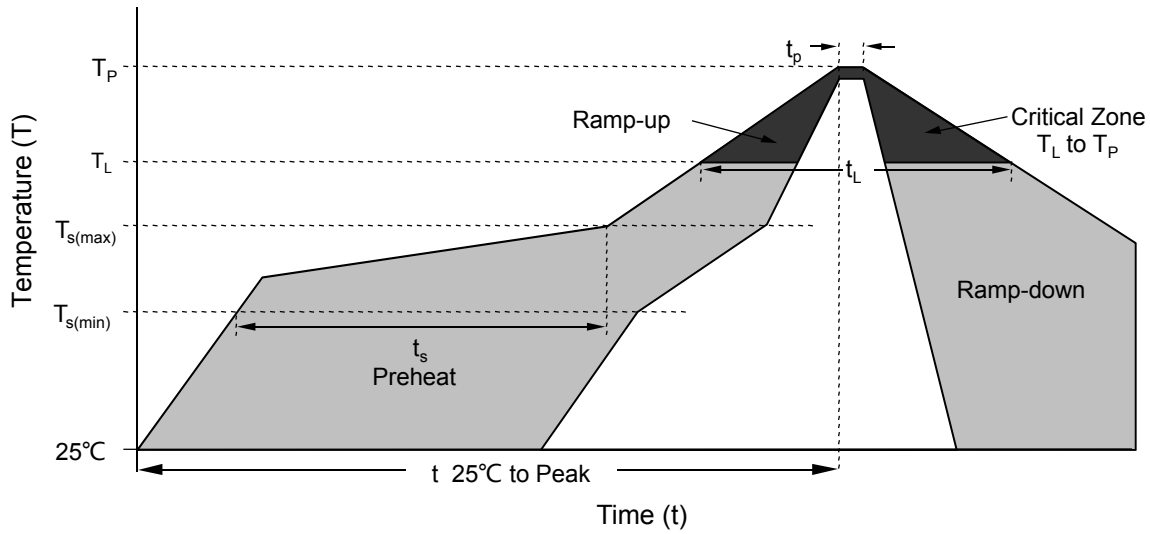
Fig. 6 - Typical Off-state Capacitance

» Package Dimensions



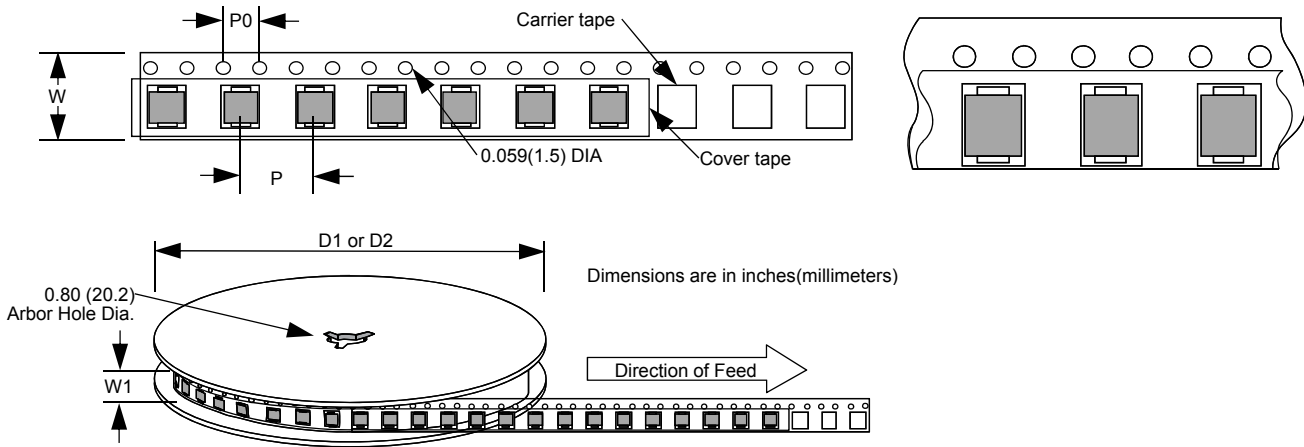
SMB						
Dimension	Inches			Millimeters		
	MIN	NOM	MAX	MIN	NOM	MAX
A	0.134	0.144	0.155	3.4	3.67	3.94
B	0.205	0.213	0.22	5.21	5.4	5.59
C	0.075	0.079	0.083	1.9	2	2.1
D	0.169		0.185	4.3		4.7
L	0.03		0.06	0.76		1.52
F	0.006		0.012	0.152		0.305
G	-		0.008	-		0.203
H	0.085	0.091	0.096	2.15	2.3	2.45
X		0.11			2.8	
Y		0.079			2	
Z		0.079			2	

» Soldering Parameters



Reflow Condition		Lead-free assembly
Pre Heat	- Temperature Min ($T_{s(min)}$)	150°C
	- Temperature Max ($T_{s(max)}$)	200°C
	- Time (min to max) (t_s)	60 – 180 secs
Average ramp up rate (Liquidus Temp (T_L) to peak)		3°C/second max
$T_{s(max)}$ to T_L - Ramp-up Rate		3°C/second max
Reflow	- Temperature (T_L) (Liquidus)	217°C
	- Time (t_L)	60 – 150 secs
Peak Temperature (T_P)		260 ^{+0/-5} °C
Time within 5°C of actual peak Temperature (t_p)		20 – 40 secs
Ramp-down Rate		6°C/second max
Time 25°C to peak Temperature (t)		8 minutes Max.
Do not exceed		260°C

»Tape and Reel Specification



Dimension	Inches			Millimeters		
	MIN	NOM	MAX	MIN	NOM	MAX
P		0.315			8	
P0		0.157			4	
W		0.472			12	
W1		0.492			12.5	
D1		7			177.8	
D2		13			330.2	

X-ON Electronics

Largest Supplier of Electrical and Electronic Components

Click to view similar products for [bourne manufacturer](#):

Other Similar products are found below :

[5KP22A](#) [P5T24A](#) [5.0SMDJ36CA](#) [SMBJ7.0CA](#) [SMAJ13CA](#) [SMBJ6.0CA](#) [SMDJ40A](#) [BDFN2C241V35](#) [5KP36A](#) [SMBJ10CA](#) [SMCJ24CA](#)
[SM8S24A](#) [SMBJ14CA](#) [SMBJ13A](#) [SMBJ18A](#) [5KP45CA](#) [SS26](#) [SMBJ58A](#) [PESD3V3V1BCSF-N](#) [BDFN2C3R31V](#) [DSS14](#) [BSD3A031LV45](#)
[BZT52C15](#) [BZT52C24S](#) [SMCJ24A](#) [BDFN8C2R52L](#) [ESD9L5.0ST5G-N](#) [P8S36CA](#) [5KP54CA](#) [BZT52C10S](#) [SMCJ28CA](#) [15KP33CA](#)
[SMAJ14CA](#) [SMAJ36CA](#) [BEP0080SB](#) [BAT54C](#) [RS1J](#) [SMD4532-090NB](#) [BST23C242V](#) [15KP36CA](#) [0603ESDA-LP\(24\)](#) [BSDFN2C181U](#)
[ESDA5V3L](#) [1.5KE550CA](#) [SMBJ11CA](#) [SS26SMB](#) [5KP40A](#) [BSA201N](#) [BEP0080MA](#) [MB10S](#)