

### »Features

- The best ESD protection for high speed, low voltage applications
- RoHS compliant and halogen free
- Ultra low capacitance, 0.2 pF (typ.)
- Low leakage current (<200nA)
- Fast response time (<1ns)
- Bi-directional, single line protection
- Surface mount
- MSL 3



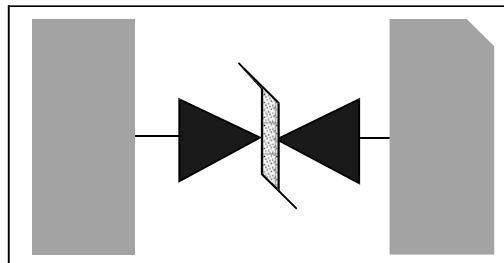
### »Applications

- Smart Phone/Mobile Internet Device
- Laptop/Desktop Computer
- Antennas
- High Speed Ethernet
- USB 2.0 and USB 3.0
- Lightning and Thunder Bolt Interface

### »Mechanical Data

- Surface mount
- RoHS Compliant
- Halogen Free

### »Schematic & PIN Configuration



0603

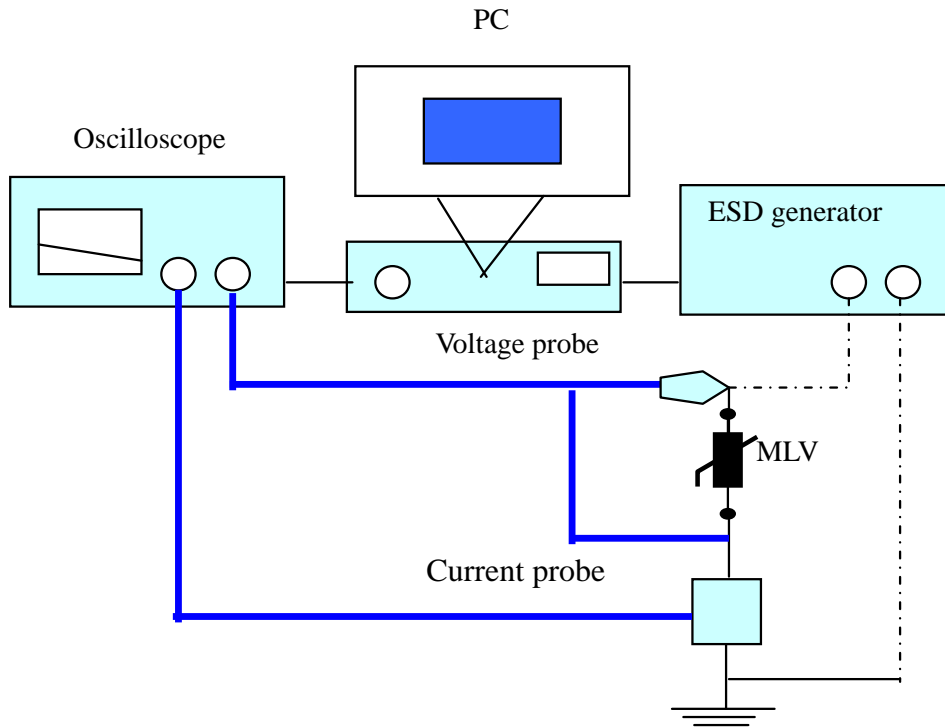
## »Absolute Maximum Rating

Rating	Symbol	Conditions	Value	Units
ESD per IEC 61000-4-2 (Air) ESD per IEC 61000-4-2 (Contact)	$V_{ESD}$		15 8	kV
Lead Soldering Temperature	$T_L$		260(10seconds)	°C
Operating Temperature	$T_O$		-55 to + 125	°C
Storage Temperature	$T_{stg}$		-40 to + 125	°C

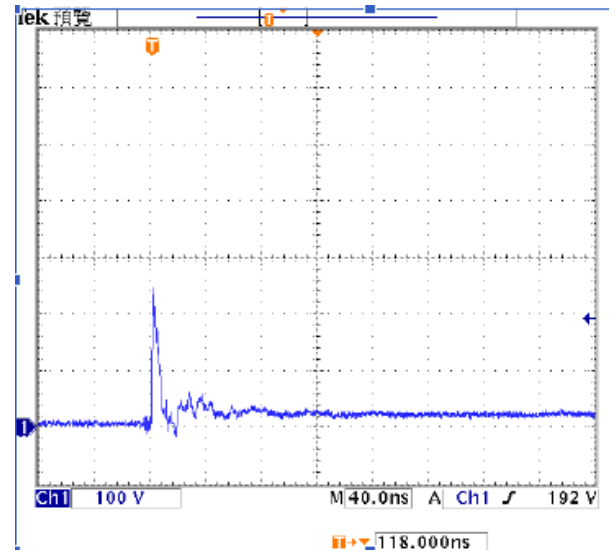
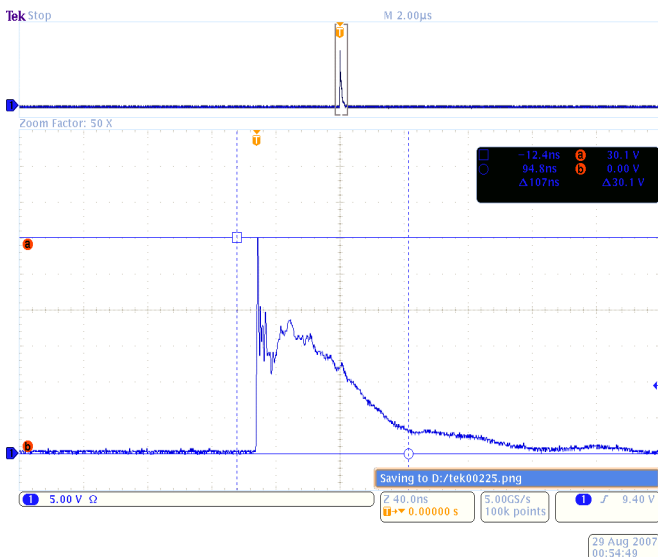
## »Electrical Characteristics

Parameter	Symbol	Conditions	Min	Typical	Max	Units
Continuous Operating Voltage	$V_{DC}$				24	V
Trigger Voltage	$V_T$	IEC61000-4-2 8KV contact discharge		450		V
Leakage Current	$I_L$	VDC=24V,T=25 °C			200	nA
Clamping Voltage	$V_C$	IEC61000-4-2 8KV contact discharge		40		V
Capacitance	$C_P$	Measured at 10MHz		0.2		pF
ESD Pulse Withstand	Pulses	IEC61000-4-2 8KV contact discharge	1000			

»ESD Clamping Test



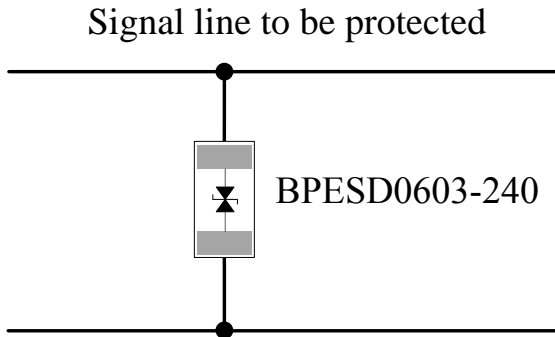
**ESD testing circuit**



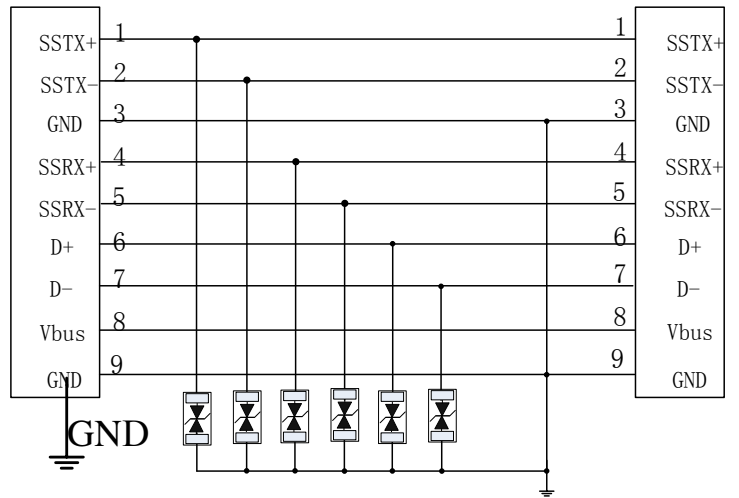
**with BESDU(0.2) sample**

Test with high voltage probe of attenuation factor  
x250  
without ESD protection sample

»Outline Drawing – 0603

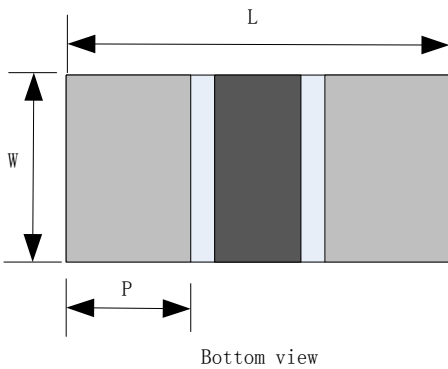


BPESD0603-240 in Signal line protected

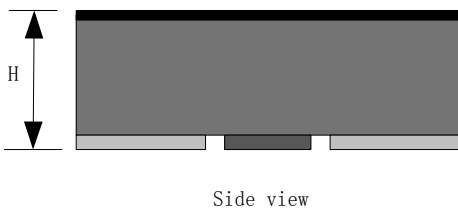


BPESD0603-240 in USB3.0 application

»Outline Drawing – 0603



Dimension	Unit: Millimeters		
	Min.	Typ.	Max.
L	1.45	1.60	1.75
W	0.70	0.80	0.90
P	0.20	0.30	0.40
H			0.90



»Ordering information

Order code	Package	Base qty	Delivery mode
BPESD0603-240	0603	5k	Tape and reel

## X-ON Electronics

Largest Supplier of Electrical and Electronic Components

*Click to view similar products for [ESD Suppressors / TVS Diodes](#) category:*

*Click to view products by [Bourne](#) manufacturer:*

Other Similar products are found below :

[60KS200C](#) [D18V0L1B2LP-7B](#) [D5V0F4U5P5-7](#) [NTE4902](#) [P4KE27CA](#) [P6KE11CA](#) [P6KE39CA-TP](#) [P6KE8.2A](#) [JANTX1N6053A](#)  
[SA110CA](#) [SA60CA](#) [SA64CA](#) [SMBJ12CATR](#) [SMBJ33CATR](#) [SMBJ8.0A](#) [ESD101-B1-02ELS E6327](#) [ESD105-B1-02EL E6327](#) [ESD112-B1-02EL E6327](#) [ESD119B1W01005E6327XTSA1](#) [ESD5V0L1B02VH6327XTSA1](#) [ESD7451N2T5G](#) [19180-510](#) [CPDT-5V0USP-HF](#)  
[3.0SMCJ33CA-F](#) [3.0SMCJ36A-F](#) [HSPC16701B02TP](#) [JANTX1N6126A](#) [JANTX1N6462](#) [JANTX1N6465](#) [USB50805e3/TR7](#)  
[D3V3Q1B2DLP3-7](#) [D55V0M1B2WS-7](#) [DRTR5V0U4SL-7](#) [SCM1293A-04SO](#) [ESD200-B1-CSP0201 E6327](#) [SM12-7](#) [SM1605E3/TR13](#)  
[SMLJ45CA-TP](#) [CEN955 W/DATA](#) [82350120560](#) [VESD12A1A-HD1-GS08](#) [CPDUR5V0R-HF](#) [CPDQC5V0U-HF](#) [CPDQC5V0USP-HF](#)  
[CPDQC5V0-HF](#) [D1213A-01LP4-7B](#) [ESD101-B1-02EL E6327](#) [824500181](#) [MMAD1108/TR13](#) [5KP100A](#)