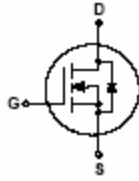
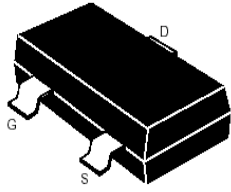


SOT-23

Features

- Low $R_{DS(on)}$ @ $V_{GS}=10V$
- 5V Logic Level Control
- N Channel SOT23 Package
- HMB ESD Protection
- Pb-Free, RoHS Compliant

Applications

- Relay Driver
- ON/OFF Switch
- High-speed line Driver
- Power Management in Portable and Battery etc.

$V_{(BR)DSS}$	$R_{DS(ON)}$ Typ	I_D Max
100V	3.5Ω @ 10V	0.2A
	4Ω @ 4.5V	

Order Information

Product	Package	Marking	Packing	Min Unit Quantity
BSS123	SOT23	SAW89	3000PCS/Reel	3000PCS

Absolute Maximum Ratings

Stresses exceeding Maximum Ratings may damage the device. Maximum Ratings are stress ratings only. Functional operation above the Recommended Operating Conditions is not implied. Extended exposure to stresses above the Recommended Operating Conditions may affect device reliability.

Symbol	Parameter	Rating	Unit	
Common Ratings ($T_A=25^\circ\text{C}$ Unless Otherwise Noted)				
V_{GS}	Gate-Source Voltage	±20	V	
$V_{(BR)DSS}$	Drain-Source Breakdown Voltage	100	V	
T_J	Maximum Junction Temperature	150	°C	
T_{STG}	Storage Temperature Range	-50 to 150	°C	
Mounted on Large Heat Sink				
I_{DM}	Pulse Drain Current Tested①	$T_A=25^\circ\text{C}$	0.8	A
I_D	Continuous Drain Current	$T_A=25^\circ\text{C}$	0.2	A
		$T_A=70^\circ\text{C}$	0.15	
P_D	Maximum Power Dissipation	$T_A=25^\circ\text{C}$	0.3	W
		$T_A=70^\circ\text{C}$	0.2	
$R_{\theta JA}$	Thermal Resistance Junction-Ambient	400	°C/W	

Symbol	Parameter	Condition	Min	Typ	Max	Unit
Static Electrical Characteristics @ T_J = 25°C (unless otherwise stated)						
V _{(BR)DSS}	Drain-Source Breakdown Voltage	V _{GS} =0V I _D =250μA	100	--	--	V
I _{DSS}	Zero Gate Voltage Drain Current(T _A =25°C)	V _{DS} =100V, V _{GS} =0V	--	--	1	μA
	Zero Gate Voltage Drain Current(T _A =125°C)	V _{DS} =80V, V _{GS} =0V	--	--	100	uA
I _{GSS}	Gate-Body Leakage Current	V _{GS} =±20V, V _{DS} =0V	--	--	±10	uA
V _{GS(TH)}	Gate Threshold Voltage	V _{DS} =V _{GS} , I _D =250μA	1.0	2.0	3.0	V
R _{DS(ON)}	Drain-Source On-State Resistance ^②	V _{GS} =10V, I _D =0.2A	--	3.5	6	Ω
R _{DS(ON)}	Drain-Source On-State Resistance ^②	V _{GS} =4.5V, I _D =0.1A	--	4	8	Ω
Dynamic Electrical Characteristics @ T_J = 25°C (unless otherwise stated)						
C _{iss}	Input Capacitance	V _{DS} =50V, V _{GS} =0V, f=1MHz	--	31.6	--	pF
C _{oss}	Output Capacitance		--	2.8	--	pF
C _{rss}	Reverse Transfer Capacitance		--	2	--	pF
Q _g	Total Gate Charge	V _{DS} =50V I _D =0.2A, V _{GS} =10V	--	0.74	--	nC
Q _{gs}	Gate Source Charge		--	0.08	--	nC
Q _{gd}	Gate Drain Charge		--	0.26	--	nC
Switching Characteristics @ T_J = 25°C (unless otherwise stated)						
t _{d(on)}	Turn on Delay Time	V _{DD} =50V, I _D =0.2A, R _G =3.3Ω, V _{GS} =10V	--	2	--	ns
t _r	Turn on Rise Time		--	3.1	--	ns
t _{d(off)}	Turn Off Delay Time		-	6.5	--	ns
t _f	Turn Off Fall Time		--	15	--	ns
Source Drain Diode Characteristics @ T_J = 25°C (unless otherwise stated)						
I _{SD}	Source drain current(Body Diode)	T _A =25°C	--	--	0.1	A
V _{SD}	Forward on voltage ^②	T _J =25°C, I _{SD} =0.2A, V _{GS} =0V	--	0.85	1.2	V

Notes:

① Pulse width limited by maximum allowable junction temperature

② Pulse test ; Pulse width≤300μs, duty cycle≤2%.

Typical Characteristics

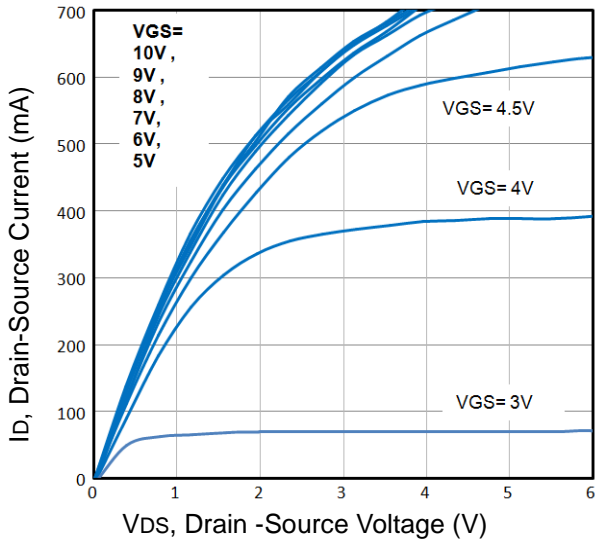


Fig1. Typical Output Characteristics

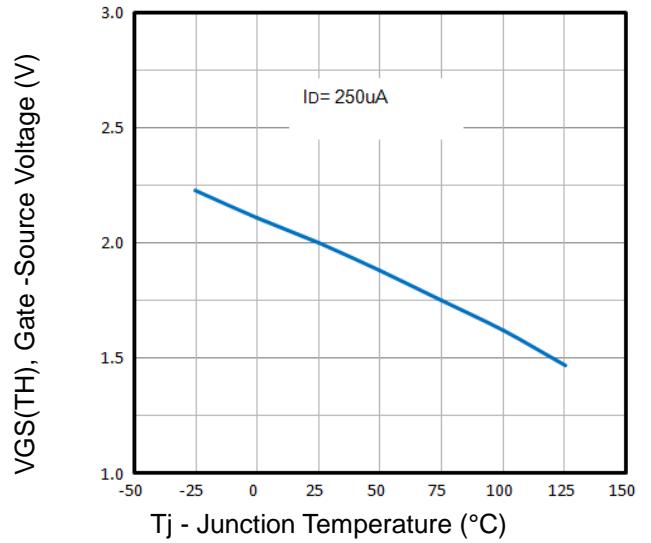


Fig2. Normalized Threshold Voltage Vs. Temperature

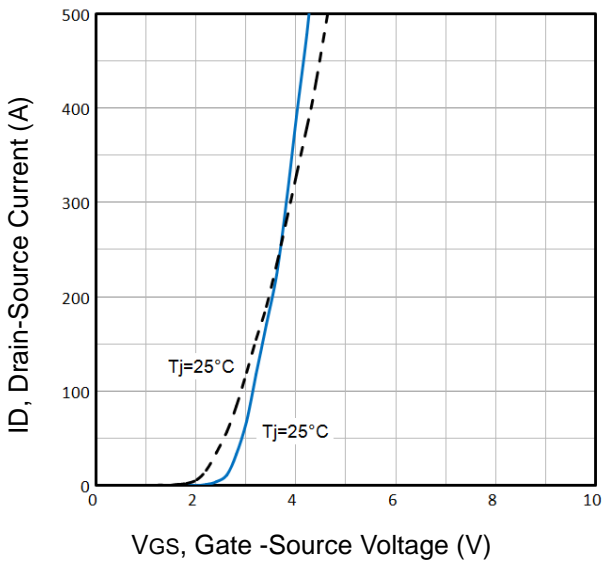


Fig3. Typical Transfer Characteristics

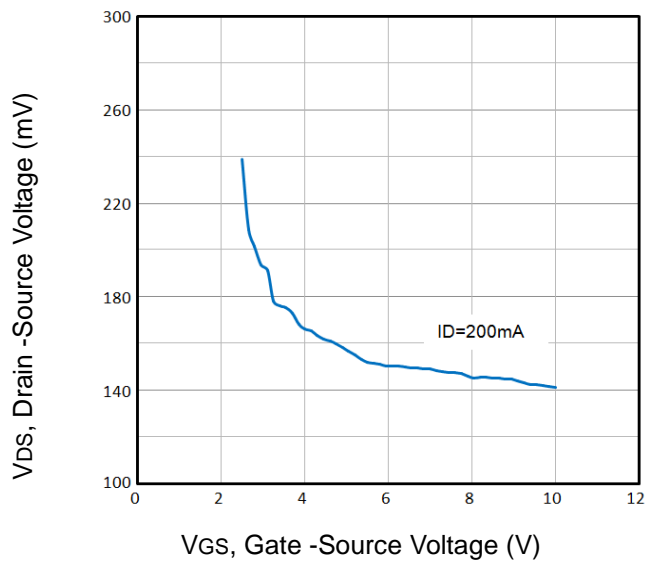


Fig4. Drain-Source Voltage vs Gate-Source Voltage

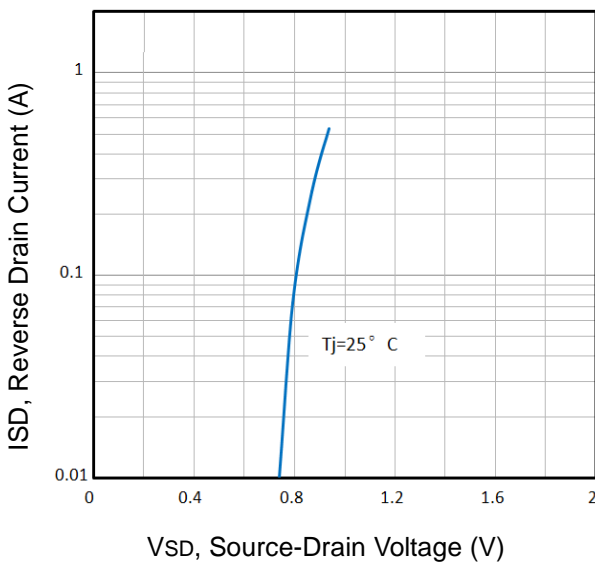


Fig5. Typical Source-Drain Diode Forward Voltage

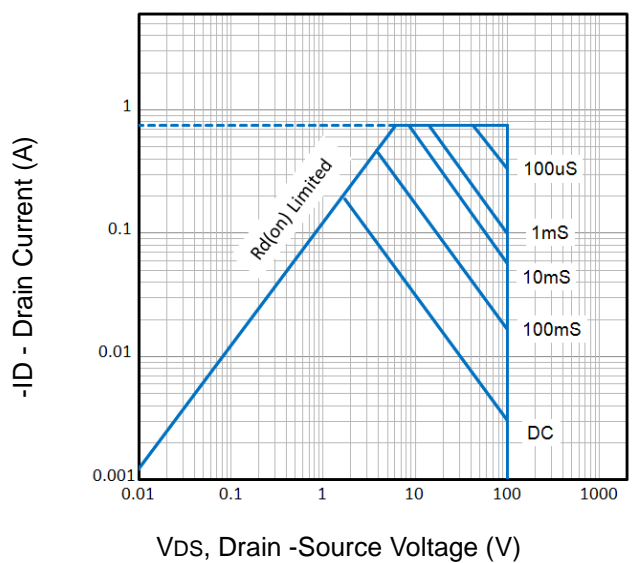


Fig6. Maximum Safe Operating Area

Typical Characteristics

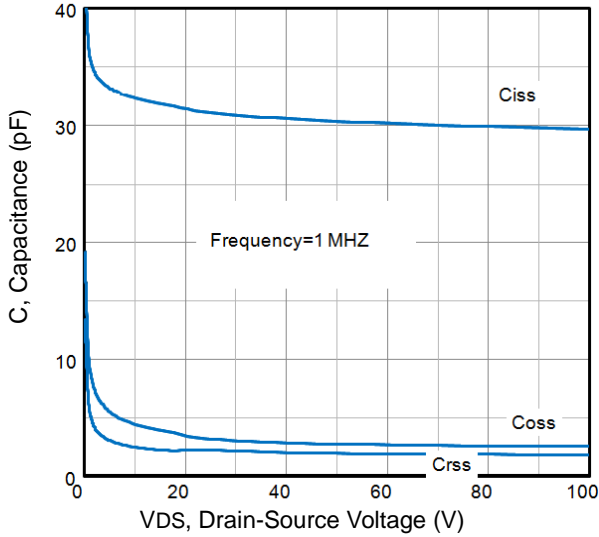


Fig7. Typical Capacitance Vs. Drain-Source Voltage

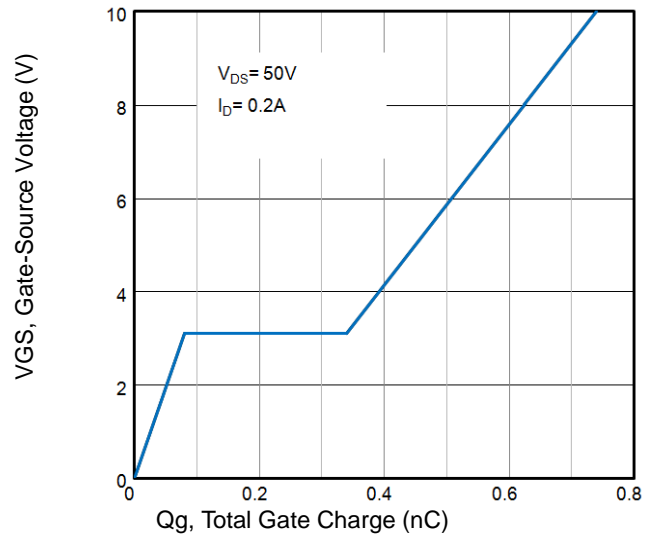


Fig8. Typical Gate Charge Vs. Gate-Source Voltage

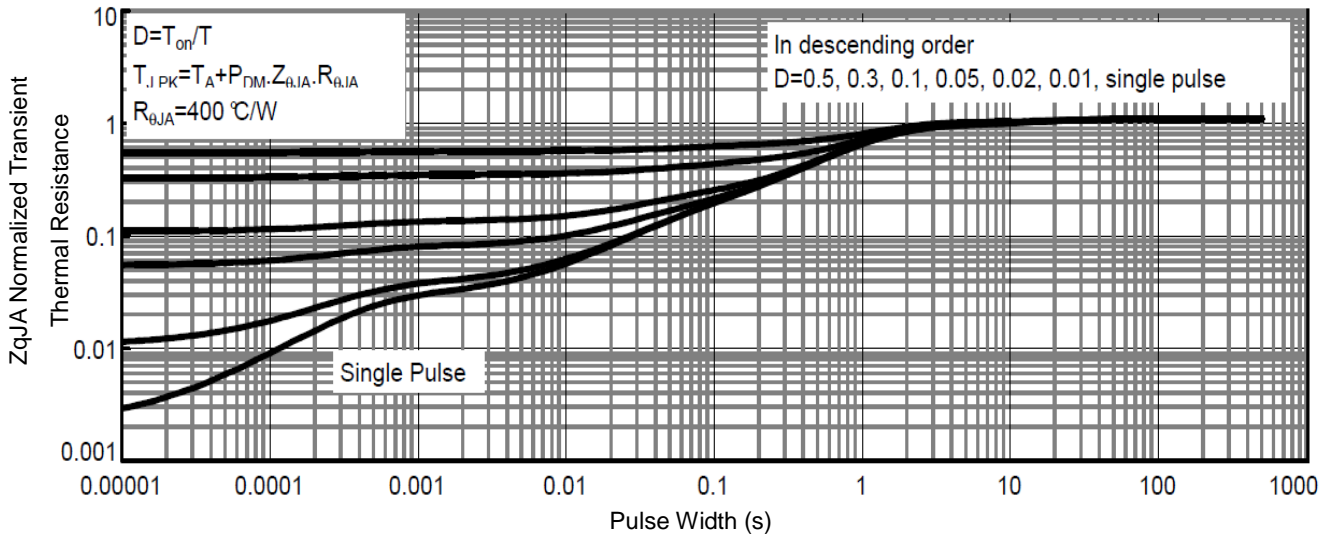
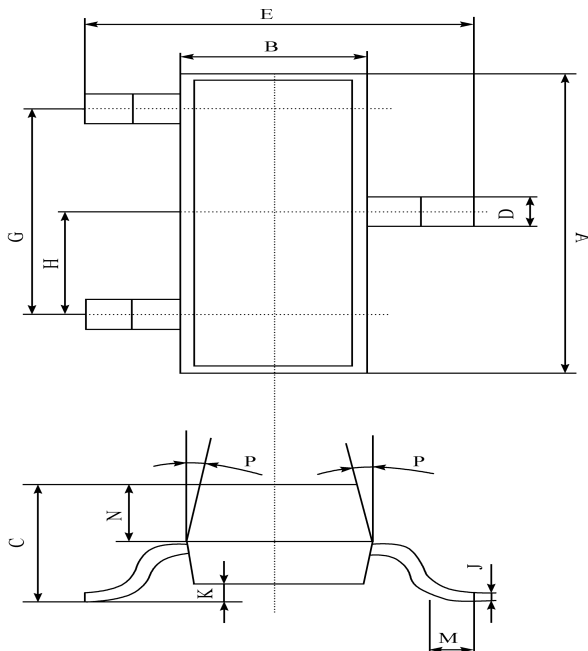


Fig9. Normalized Maximum Transient Thermal Impedance

SOT-23 PACKAGE OUTLINE Plastic surface mounted package



SOT-23	
A	2.90 ± 0.10
B	1.30 ± 0.10
C	1.00 ± 0.10
D	0.40 ± 0.10
E	2.40 ± 0.20
G	1.90 ± 0.10
H	0.95 ± 0.05
J	0.13 ± 0.05
K	0.00-0.10
M	≥ 0.2
N	0.60 ± 0.10
P	7 ± 2°

(UNIT): mm

X-ON Electronics

Largest Supplier of Electrical and Electronic Components

Click to view similar products for [MOSFET](#) category:

Click to view products by [Bourne](#) manufacturer:

Other Similar products are found below :

[614233C](#) [648584F](#) [MCH3443-TL-E](#) [MCH6422-TL-E](#) [FDPF9N50NZ](#) [FW216A-TL-2W](#) [FW231A-TL-E](#) [APT5010JVR](#) [NTNS3A92PZT5G](#)
[IRF100S201](#) [JANTX2N5237](#) [2SK2464-TL-E](#) [2SK3818-DL-E](#) [FCA20N60_F109](#) [FDZ595PZ](#) [STD6600NT4G](#) [FSS804-TL-E](#) [2SJ277-DL-E](#)
[2SK1691-DL-E](#) [2SK2545\(Q,T\)](#) [D2294UK](#) [405094E](#) [423220D](#) [MCH6646-TL-E](#) [TPCC8103,L1Q\(CM](#) [367-8430-0972-503](#) [VN1206L](#)
[424134F](#) [026935X](#) [051075F](#) [SBVS138LT1G](#) [614234A](#) [715780A](#) [NTNS3166NZT5G](#) [751625C](#) [873612G](#) [IRF7380TRHR](#)
[IPS70R2K0CEAKMA1](#) [RJK60S3DPP-E0#T2](#) [RJK60S5DPK-M0#T0](#) [APT5010JVFR](#) [APT12031JFLL](#) [APT12040JVR](#) [DMN3404LQ-7](#)
[NTE6400](#) [JANTX2N6796U](#) [JANTX2N6784U](#) [JANTXV2N5416U4](#) [SQM110N05-06L-GE3](#) [SIHF35N60E-GE3](#)