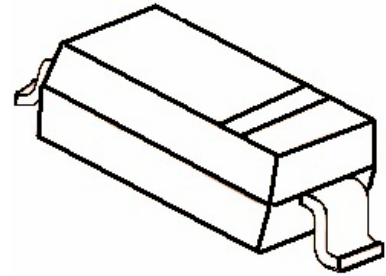


»Features

- Low forward voltage drop
- High current capability
- High reliability
- High surge current capability
- Epitaxial construction



SOD-323

»General Description

- Case: molded plastic
- Polarity: Color band denotes cathode
- Package: SOD-323 Plastic Package

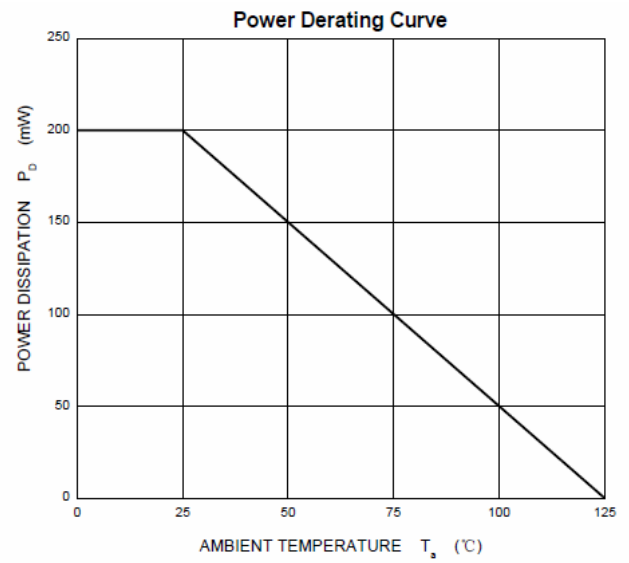
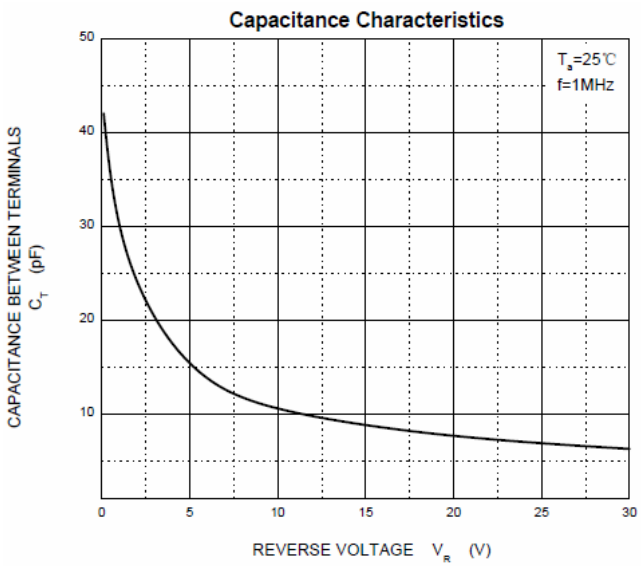
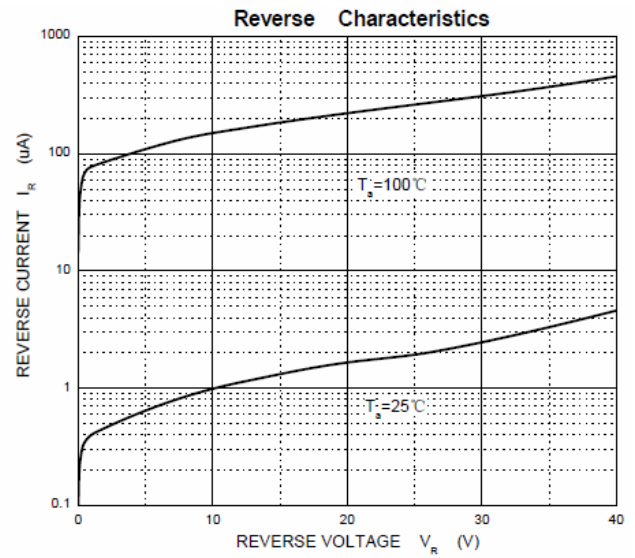
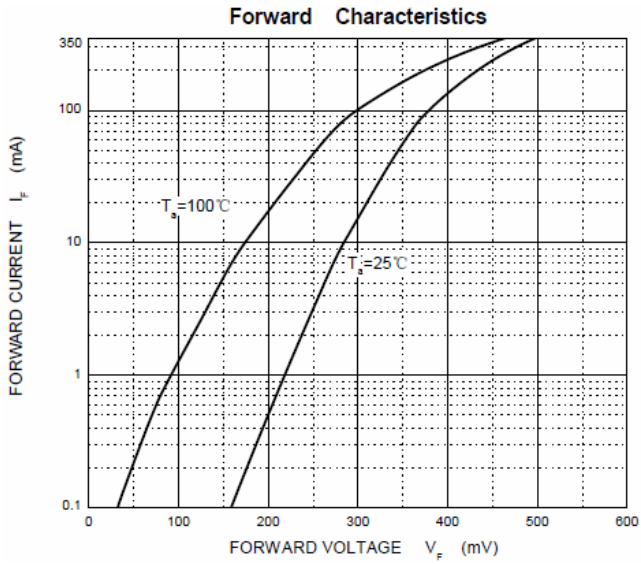
» Maximum Ratings @ $T_A=25^{\circ}\text{C}$ unless otherwise noted

Parameters	Symbol	SD103AWS	SD103BWS	SD103CWS	Unit
Maximum repetitive peak reverse voltage	VRRM	40	30	20	V
Maximum RMS voltage	VRMS	28	21	14	V
Maximum DC blocking voltage	VDC	40	30	20	V
Maximum average forward rectified current	IFM	350			mA
Peak forward surge current 8.3ms single half sine-wave	IFSM	1.5			A
Power Dissipation	PD	200			mW
Typical thermal resistance	R θ JA	500			$^{\circ}\text{C}/\text{W}$
Operating junction temperature	T _j	125			$^{\circ}\text{C}$
Storage temperature range	TSTG	-50-+150			$^{\circ}\text{C}$

» **Electrical Characteristics** @ $T_A=25^{\circ}\text{C}$ unless otherwise noted

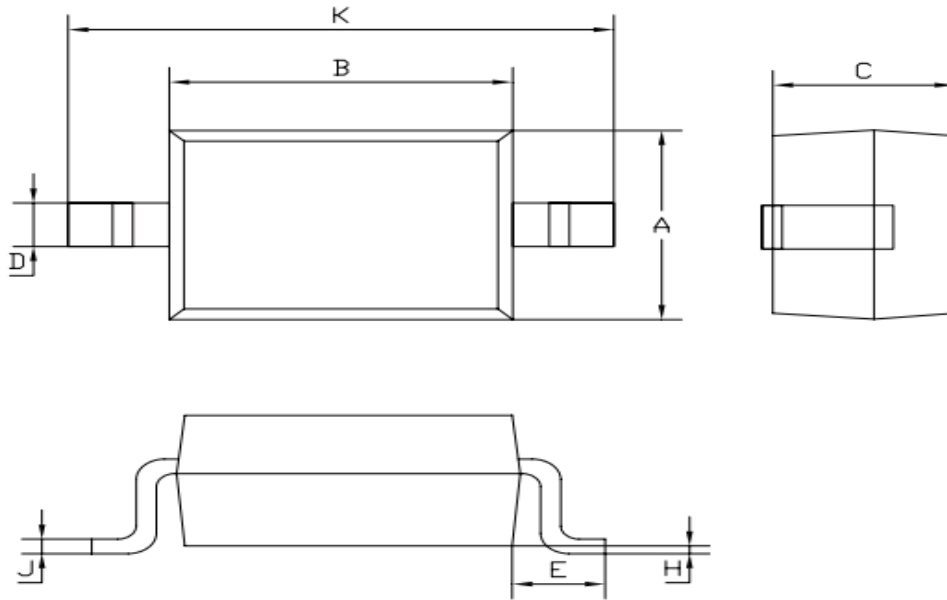
Parameters	Symbol	Test conditions	SD103AWS	SD103BWS	SD103CWS	Unit
Maximum forward voltage	V_F	$I_F = 20\text{mA}$ $I_F = 200\text{mA}$	0.370 0.600			V
Maximum reverse breakdown voltage	V_R	$I_R = 100\mu\text{A}$	40	30	20	V
Maximum reverse current	I_R	$V_R=30\text{V}$ SD103AWS $V_R=20\text{V}$ SD103BWS $V_R=10\text{V}$ SD103CWS	5.0			μA
Type junction capacitance	C_j	$V_R = 0\text{V}$, $f = 1\text{MHz}$	50			pF
Reverse recovery time	T_{rr}	$I_F=I_R=200\text{mA}$, $I_{rr}=0.1 \times I_R$, $R_L=100\Omega$	10			ns

»Typical Performance Characteristics (T_J = 25 °C, unless otherwise noted)



»Package Information

SOD-323



SOD-323		
Dim	Min	Max
A	1.275	1.325
B	1.675	1.725
C	0.9 Typical	
D	0.25	0.35
E	0.27	0.37
H	0.02	0.1
J	0.1 Typical	
K	2.6	2.7

»Ordering information

Order code	Package	Marking	Base qty	Delivery mode
SD103AWS	SOD-123	S4	3K	Tape and reel
SD103BWS	SOD-123	S5	3K	Tape and reel
SD103CWS	SOD-123	S6	3K	Tape and reel

X-ON Electronics

Largest Supplier of Electrical and Electronic Components

Click to view similar products for [Schottky Diodes & Rectifiers](#) category:

Click to view products by [Bourne](#) manufacturer:

Other Similar products are found below :

[MA4E2039](#) [MA4E2508M-1112](#) [MBR0530L-TP](#) [MBR10100CT-BP](#) [MBR1545CT](#) [MMBD301M3T5G](#) [RB160M-50TR](#)
[BAS16E6433HTMA1](#) [BAS 3010S-02LRH E6327](#) [BAT 54-02LRH E6327](#) [IDL02G65C5XUMA1](#) [NSR05F40QNXT5G](#) [NSVR05F40NXT5G](#)
[NTE555](#) [JANS1N6640](#) [SB07-03C-TB-H](#) [SK310-T](#) [SK33A-TP](#) [SK34B-TP](#) [SS3003CH-TL-E](#) [PDS3100Q-7](#) [GA01SHT18](#)
[CRS10I30A\(TE85L,QM](#) [MA4E2501L-1290](#) [MBRB30H30CT-1G](#) [JANTX1N5712-1](#) [SB007-03C-TB-E](#) [SK33B-TP](#) [SK35A-TP](#) [SK38B-LTP](#)
[NTE505](#) [NTSB30U100CT-1G](#) [VS-6CWQ10FNHM3](#) [CRG04\(T5L,TEMQ\)](#) [ACDBA1100LR-HF](#) [ACDBA1200-HF](#) [ACDBA240-HF](#)
[ACDBA3100-HF](#) [CDBQC0530L-HF](#) [ACDBA260LR-HF](#) [ACDBA1100-HF](#) [MA4E2502L-1246](#) [10BQ015-M3/5BT](#) [10BQ060-M3/5BT](#)
[NRVB130LSFT1G](#) [CRS08TE85LQM](#) [PMAD1108-LF](#) [B120Q-13-F](#) [1N5819T-G](#) [B0530WSQ-7-F](#)