

»Features

- Excellent clamping capability
- Low leakage current
- Low capacitance
- High surge capability
- Glass passivated chip
- Epoxy resin package
- Built-in strain relief
- Will not fatigue
- RoHS Compliant
- Fast response time:
typically less than 1.0ps from 0 Volts to V_{BR} min



SMB (DO-214AA)

»Mechanical Characteristics

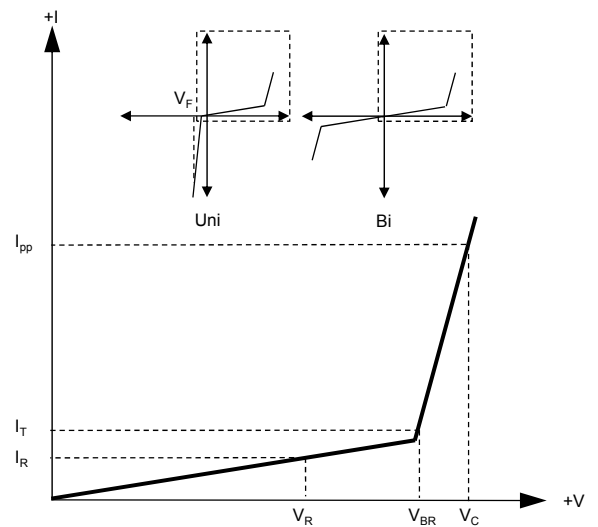
- Package: SMB plastic package.
- Lead Finish: Matte Tin
- Case Material: Epoxy Molding Compound.
- UL Flammability Classification Rating 94V-0
- Moisture Sensitivity: Level 1 per J-STD-020

»Applications

- Telecom
- Computer
- Industrial electronic
- Consumer electronic

»Electrical Parameters

Parameter	Definition
C_J	Junction Capacitance - typical capacitance measured with 0V or V_R bias
I_{PP}	Peak Pulse Current - maximum rated peak impulse current
V_C	Clamping Voltage - Peak voltage measured across the suppressor at a specified I_{ppm} (peak impulse current)
V_{BR}	Breakdown Voltage - Maximum voltage that flows through the TVS at a specified test current (I_T)
I_R	Leakage Current - maximum peak off-state current measured at V_R
V_R	Peak Off-state Voltage - maximum voltage that can be applied while maintaining off state



»Summary of Packing Options

Package	Packing Description	Packing Quantity	Industry Standard
SMB	Tape/Reel, 13" reel	3000	EIA-481-1
	Tape/Reel, 7" reel	500	EIA-481-1

»Absolute Maximum Ratings ($T_A=25^{\circ}\text{C}$ unless otherwise noted)

Parameter	Symbol	Value	Units	Remarks
Peak Pulse Power Dissipation	P_{PPM}	600	W	(Note1)(Note2)
Steady State Power Dissipation	P_D	5	W	(Note3)
Peak Forward Surge Current	I_{FSM}	100	A	(Note4)
Maximum Instantaneous Forward Voltage at 50A	V_{FM}	3.5/5	V	(Note5)
Typical Thermal Resistance Junction to Lead	$R_{\theta JL}$	20	$^{\circ}\text{C}/\text{W}$	
Typical Thermal Resistance Junction to Ambient	$R_{\theta JA}$	100	$^{\circ}\text{C}/\text{W}$	
Operating Temperature Range	T_J	-55 to 150	$^{\circ}\text{C}$	
Storage Temperature Range	T_{STG}	-55 to 150	$^{\circ}\text{C}$	

Notes1: Non-repetitive current pulse , 10/1000us Waveform.

Notes2: Mounted on copper pad area of 5×5mm to each terminal.

Notes3: Infinite HeatSink at $T_A=50^{\circ}\text{C}$

Notes4: Measured on 8.3ms single half sine wave or equivalent square wave, duty cycle=4 perminute maximum.

Notes5: For UnidirectionalOnly, $V_{FM}<3.5\text{V}$ for $V_{BR} \leq 200\text{V}$ and $V_{FM}<5.0\text{V}$ for $V_{BR} \geq 201\text{V}$.

»Electrical Characteristics ($T_A=25^{\circ}\text{C}$ unless otherwise noted)

Part Number (Uni)	Part Number (Bi)	Reverse Stand off Voltage V_R (V)	Breakdown Voltage $V_{BR} @ I_T$ (V)		Test Current I_T (mA)	Maximum Clamping Voltage $V_C @ I_{PP}$ (V)	Maximum Peak Pulse Current I_{PP} (A)	Maximun Reverse Leakage $I_R @ V_R$ (μA)
			Min	Max				
SMBJ5.0A	SMBJ5.0CA	5	6.4	7	10	9.2	65.3	800
SMBJ6.0A	SMBJ6.0CA	6	6.67	7.37	10	10.3	58.3	800
SMBJ6.5A	SMBJ6.5CA	6.5	7.22	7.98	10	11.2	53.6	500
SMBJ6.8A	SMBJ6.8CA	5.8	6.45	7.14	10	10.5	58.1	500
SMBJ7.0A	SMBJ7.0CA	7	7.78	8.6	10	12	50	200
SMBJ7.5A	SMBJ7.5CA	7.5	8.33	9.21	1	12.9	46.6	100
SMBJ8.0A	SMBJ8.0CA	8	8.89	9.83	1	13.6	44.2	50
SMBJ8.5A	SMBJ8.5CA	8.5	9.44	10.4	1	14.4	41.7	20
SMBJ9.0A	SMBJ9.0CA	9	10	11.1	1	15.4	39	10
SMBJ10A	SMBJ10CA	10	11.1	12.3	1	17	35.3	5
SMBJ11A	SMBJ11CA	11	12.2	13.5	1	18.2	33	1
SMBJ12A	SMBJ12CA	12	13.3	14.7	1	19.9	30.2	1
SMBJ13A	SMBJ13CA	13	14.4	15.9	1	21.5	28	1
SMBJ14A	SMBJ14CA	14	15.6	17.2	1	23.2	25.9	1
SMBJ15A	SMBJ15CA	15	16.7	18.5	1	24.4	24.6	1
SMBJ16A	SMBJ16CA	16	17.8	19.7	1	26	23.1	1
SMBJ17A	SMBJ17CA	17	18.9	20.9	1	27.6	21.8	1
SMBJ18A	SMBJ18CA	18	20	22.1	1	29.2	20.6	1
SMBJ20A	SMBJ20CA	20	22.2	24.5	1	32.4	18.6	1
SMBJ22A	SMBJ22CA	22	24.4	26.9	1	35.5	16.9	1

»Electrical Characteristics ($T_A=25^{\circ}\text{C}$ unless otherwise noted)

Part Number (Uni)	Part Number (Bi)	Reverse Stand off Voltage V_R (V)	Breakdown Voltage $V_{BR} @ I_T$ (V)		Test Current I_T (mA)	Maximum Clamping Voltage $V_C @ I_{PP}$ (V)	Maximum Peak Pulse Current I_{PP} (A)	Maximun Reverse Leakage $I_R @ V_R$ (μA)
			Min	Max				
SMBJ24A	SMBJ24CA	24	26.7	29.5	1	38.9	15.5	1
SMBJ26A	SMBJ26CA	26	28.9	31.9	1	42.1	14.3	1
SMBJ28A	SMBJ28CA	28	31.1	34.4	1	45.4	13.3	1
SMBJ30A	SMBJ30CA	30	33.3	36.8	1	48.4	12.4	1
SMBJ33A	SMBJ33CA	33	36.7	40.6	1	53.3	11.3	1
SMBJ36A	SMBJ36CA	36	40	44.2	1	58.1	10.4	1
SMBJ40A	SMBJ40CA	40	44.4	49.1	1	64.5	9.3	1
SMBJ43A	SMBJ43CA	43	47.8	52.8	1	69.4	8.7	1
SMBJ45A	SMBJ45CA	45	50	55.3	1	72.7	8.3	1
SMBJ48A	SMBJ48CA	48	53.3	58.9	1	77.4	7.8	1
SMBJ51A	SMBJ51CA	51	56.7	62.7	1	82.4	7.3	1
SMBJ54A	SMBJ54CA	54	60	66.3	1	87.1	6.9	1
SMBJ58A	SMBJ58CA	58	64.4	71.2	1	93.6	6.5	1
SMBJ60A	SMBJ60CA	60	66.7	73.7	1	96.8	6.2	1
SMBJ64A	SMBJ64CA	64	71.1	78.6	1	103	5.9	1
SMBJ70A	SMBJ70CA	70	77.8	86	1	113	5.3	1
SMBJ75A	SMBJ75CA	75	83.3	92.1	1	121	5	1
SMBJ78A	SMBJ78CA	78	86.7	95.8	1	126	4.8	1
SMBJ85A	SMBJ85CA	85	94.4	104	1	137	4.4	1
SMBJ90A	SMBJ90CA	90	100	111	1	146	4.1	1
SMBJ100A	SMBJ100CA	100	111	123	1	162	3.7	1
SMBJ110A	SMBJ110CA	110	122	135	1	177	3.4	1
SMBJ120A	SMBJ120CA	120	133	147	1	193	3.1	1
SMBJ130A	SMBJ130CA	130	144	159	1	209	2.9	1
SMBJ150A	SMBJ150CA	150	167	185	1	243	2.5	1
SMBJ160A	SMBJ160CA	160	178	197	1	259	2.3	1
SMBJ170A	SMBJ170CA	170	189	209	1	275	2.2	1
SMBJ180A	SMBJ180CA	180	201	222	1	292	2.1	1
SMBJ200A	SMBJ200CA	200	224	247	1	324	1.9	1
SMBJ220A	SMBJ220CA	220	246	272	1	356	1.7	1
SMBJ250A	SMBJ250CA	250	279	309	1	405	1.5	1
SMBJ300A	SMBJ300CA	300	335	371	1	486	1.3	1
SMBJ350A	SMBJ350CA	350	391	432	1	567	1.1	1
SMBJ400A	SMBJ400CA	400	447	494	1	648	0.9	1
SMBJ440A	SMBJ440CA	440	492	543	1	713	0.9	1
SMBJ480A	SMBJ480CA	480	536	593	1	750	0.8	1

»Rating And Characteristic Curves ($T_A=25^\circ\text{C}$ unless otherwise noted)

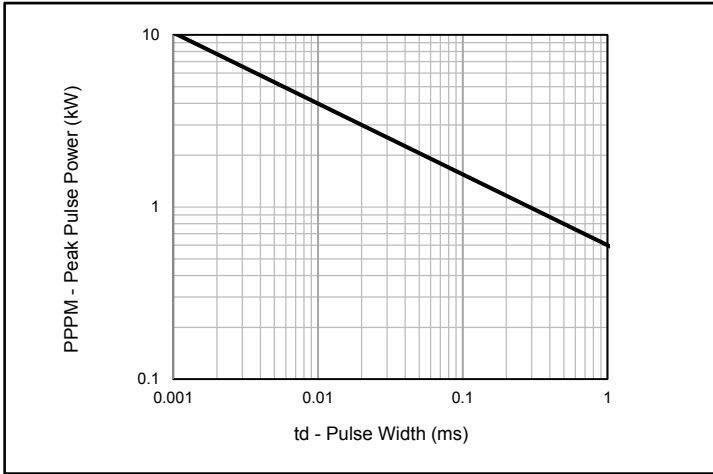


Fig.1 - Peak Pulse Power Rating



Fig.2 - Pulse Derating Curve

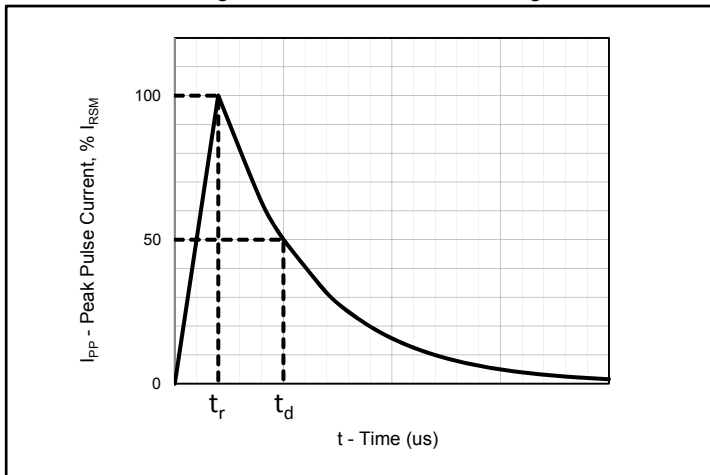


Fig.3 - Pulse Waveform

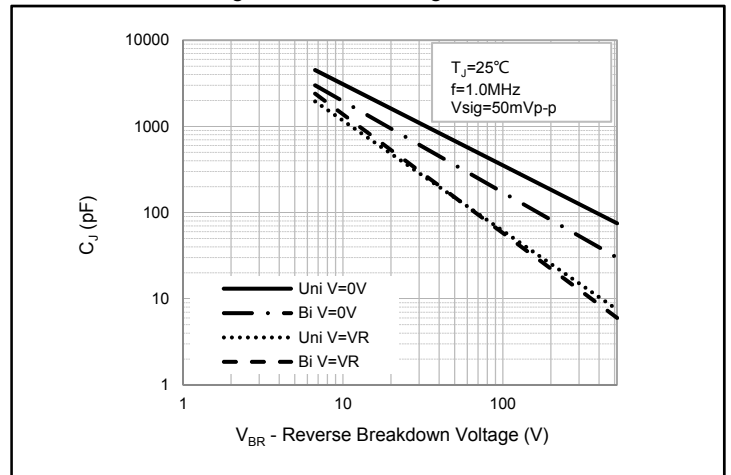


Fig.4 - Typical Junction Capacitance

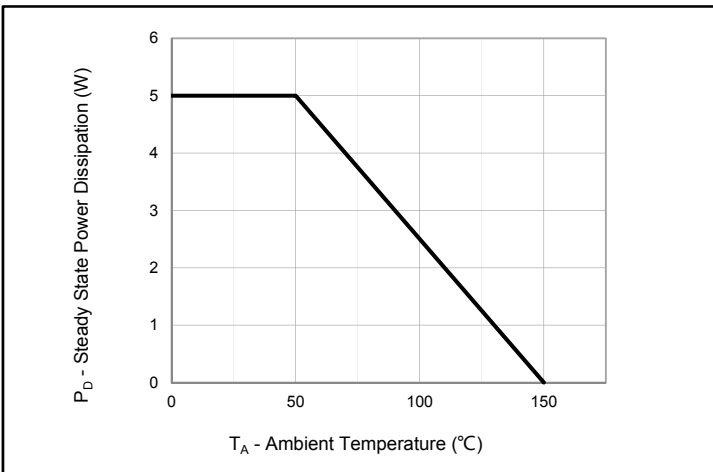


Fig.5 - Steady State Power Dissipation Derating Curve

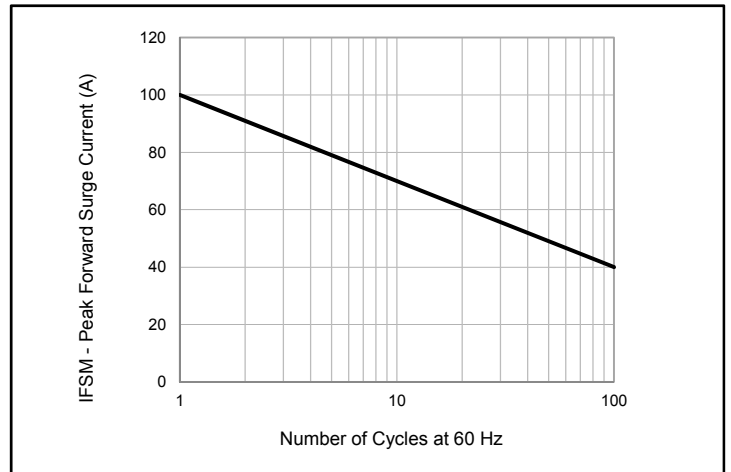
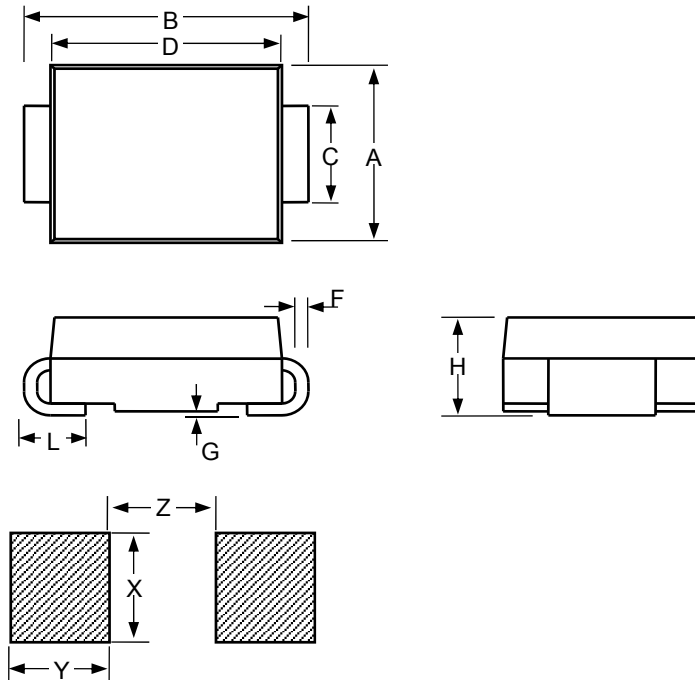


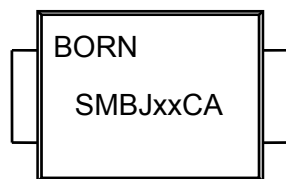
Fig.6 - Maximum Non-Repetitive Peak Forward Surge Current
Uni-Directional Only

»Package Dimensions

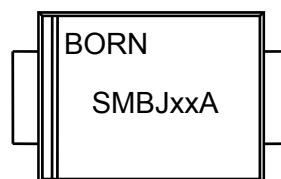


SMB						
Dimension	Inches			Millimeters		
	MIN	NOM	MAX	MIN	NOM	MAX
A	0.134	0.144	0.155	3.4	3.67	3.94
B	0.205	0.213	0.22	5.21	5.4	5.59
C	0.075	0.079	0.083	1.9	2	2.1
D	0.169		0.185	4.3		4.7
F	0.006		0.012	0.152		0.305
G	-		0.008	-		0.203
H	0.085	0.091	0.096	2.15	2.3	2.45
L	0.03		0.06	0.76		1.52
X		0.11			2.8	
Y		0.079			2	
Z		0.079			2	

»Marking Information



Bidirection



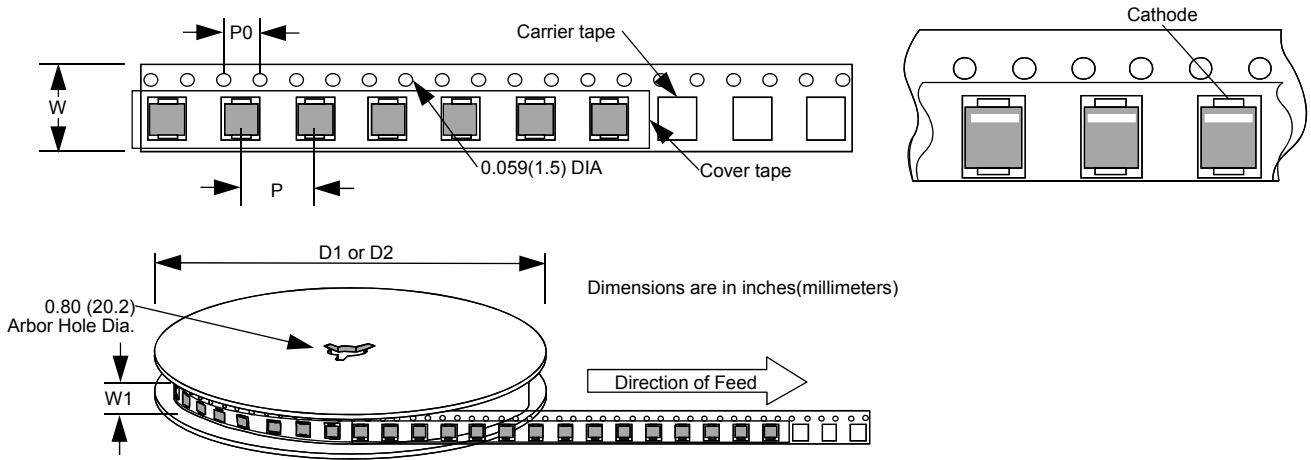
Unidirection

»Soldering Parameters



Reflow Condition		Lead-free assembly
Pre Heat	- Temperature Min ($T_{s(min)}$)	150°C
	- Temperature Max ($T_{s(max)}$)	200°C
	- Time (min to max) (t_s)	60 – 180 secs
Average ramp up rate (Liquidus Temp (T_L) to peak)		3°C/second max
$T_{s(max)}$ to T_L - Ramp-up Rate		3°C/second max
Reflow	- Temperature (T_L) (Liquidus)	217°C
	- Time (t_L)	60 – 150 secs
Peak Temperature (T_P)		260 ^{+0/-5} °C
Time within 5°C of actual peak Temperature (t_p)		20 – 40 secs
Ramp-down Rate		6°C/second max
Time 25°C to peak Temperature (t)		8 minutes Max.
Do not exceed		260°C

»Tape and Reel Specification



Dimension	Inches			Millimeters		
	MIN	NOM	MAX	MIN	NOM	MAX
P		0.315			8	
P0		0.157			4	
W		0.472			12	
W1		0.492			12.5	
D1		7			177.8	
D2		13			330.2	

X-ON Electronics

Largest Supplier of Electrical and Electronic Components

Click to view similar products for [ESD Suppressors / TVS Diodes](#) category:

Click to view products by [Bourne](#) manufacturer:

Other Similar products are found below :

[60KS200C](#) [D18V0L1B2LP-7B](#) [D5V0F4U5P5-7](#) [NTE4902](#) [P4KE27CA](#) [P6KE11CA](#) [P6KE8.2A](#) [SA60CA](#) [SA64CA](#) [SMBJ12CATR](#)
[SMBJ33CATR](#) [SMBJ6.5A](#) [SMBJ8.0A](#) [ESD101-B1-02ELS](#) [E6327](#) [ESD112-B1-02EL](#) [E6327](#) [ESD7451N2T5G](#) [19180-510](#) [CPDT-5V0USP-](#)
[HF](#) [3.0SMCJ33CA-F](#) [3.0SMCJ36A-F](#) [HSPC16701B02TP](#) [JANTX1N6126A](#) [D3V3Q1B2DLP3-7](#) [D55V0M1B2WS-7](#) [SCM1293A-04SO](#)
[ESD200-B1-CSP0201](#) [E6327](#) [SM12-7](#) [CEN955](#) [W/DATA](#) [VESD12A1A-HD1-GS08](#) [CPDQC5V0-HF](#) [D1213A-01LP4-7B](#) [ESD101-B1-02EL](#)
[E6327](#) [AOZ8808DI-03](#) [5KP15A](#) [5KP48A](#) [5KP90A](#) [ESD3V3D7-TP](#) [15KPA36A-LF](#) [P4KE56CA](#) [P4KE68A](#) [P4KE91CATR](#) [P6KE120A](#)
[P6KE13CA](#) [P6KE43CA](#) [P6KE6.8CA](#) [P6KE8.2](#) [P6SMBJ20CA](#) [JANTX1N6072A](#) [SR2835ESKG](#) [SA90CA](#)