

# High Current Chokes

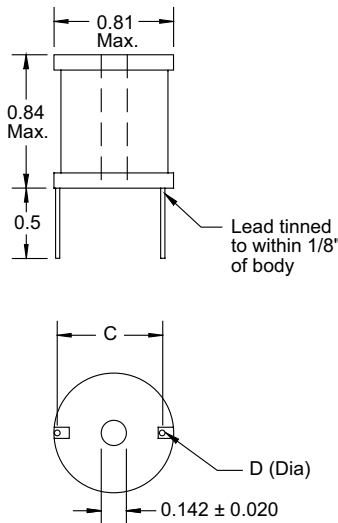
## Special Features

- Very high current capacity
- Low DCR
- Epoxy coated ferrite bobbin core
- VW-1 rated shrink tubing to cover winding
- Self-leaded
- Fixed lead spacing
- Center hole for mechanical mounting
- Dielectric withstanding voltage:  
2500 Vrms terminal to shrink tube cover;  
1000 Vrms terminal to core
- Operating temperature -55 to +105 °C

## Notes

\* Rated current to cause 50 °C max. temperature rise and 5 % max. inductance drop

† RoHS Directive 2002/95/EC Jan 27 2003 including Annex.



Note: Major diameter of #4 screw = 0.112 "

Dimensions: Inches

1120 Series					
Part Number	L (μH) ±20 % @ 1 KHz	DCR Ω Max.	I <sub>dc</sub> * (A)	Dim. C Approx.	Dim. D Nom.
1120-1R0M-RC	1.0	0.003	11.4	0.63	0.072
1120-1R2M-RC	1.2	0.003	11.4	0.63	0.072
1120-1R5M-RC	1.5	0.003	11.4	0.63	0.072
1120-1R8M-RC	1.8	0.003	11.4	0.63	0.072
1120-2R2M-RC	2.2	0.004	11.4	0.63	0.072
1120-2R7M-RC	2.7	0.005	11.4	0.63	0.064
1120-3R3M-RC	3.3	0.005	11.4	0.63	0.064
1120-3R9M-RC	3.9	0.005	11.4	0.63	0.064
1120-4R7M-RC	4.7	0.005	11.4	0.63	0.064
1120-5R6M-RC	5.6	0.006	11.4	0.63	0.064
1120-6R8M-RC	6.8	0.007	11.4	0.63	0.064
1120-8R2M-RC	8.2	0.007	11.4	0.63	0.064
± 10 %					
1120-100K-RC	10	0.009	11.4	0.63	0.064
1120-120K-RC	12	0.009	11.4	0.63	0.057
1120-150K-RC	15	0.013	9	0.63	0.057
1120-180K-RC	18	0.018	7.2	0.63	0.051
1120-220K-RC	22	0.019	7.2	0.63	0.051
1120-270K-RC	27	0.026	5.5	0.63	0.051
1120-330K-RC	33	0.029	5.5	0.60	0.045
1120-390K-RC	39	0.030	5.5	0.60	0.045
1120-470K-RC	47	0.035	5.5	0.62	0.045
1120-560K-RC	56	0.039	5.5	0.62	0.040
1120-680K-RC	68	0.053	4.8	0.62	0.040
1120-820K-RC	82	0.060	4.8	0.62	0.040
1120-101K-RC	100	0.080	4	0.62	0.036
1120-121K-RC	120	0.090	4	0.62	0.036
1120-151K-RC	150	0.098	4	0.62	0.032
1120-181K-RC	180	0.110	4	0.62	0.032
1120-221K-RC	220	0.150	2.8	0.62	0.032
1120-271K-RC	270	0.213	2	0.60	0.029
1120-331K-RC	330	0.305	1.6	0.60	0.029
1120-391K-RC	390	0.320	1.6	0.60	0.025
1120-471K-RC	470	0.355	1.6	0.60	0.025
1120-561K-RC	560	0.388	1.6	0.60	0.025
1120-681K-RC	680	0.430	1.6	0.60	0.025
1120-821K-RC	820	0.590	1.3	0.60	0.023
1120-102K-RC	1000	0.818	1	0.60	0.020
1120-122K-RC	1200	1.14	0.8	0.60	0.020
1120-152K-RC	1500	1.26	0.8	0.60	0.020
1120-182K-RC	1800	1.39	0.8	0.60	0.018
1120-222K-RC	2200	1.54	0.8	0.60	0.018

"-RC" suffix indicates RoHS compliance.

## X-ON Electronics

Largest Supplier of Electrical and Electronic Components

*Click to view similar products for [Bourns](#) manufacturer:*

Other Similar products are found below :

[PWR4412-2SDR0050F](#) [SRP1040-3R3M](#) [3319P-1-503](#) [PWR4412-2SDR1000F](#) [SF-FP-LAB1](#) [SF-SP-LAB1](#) [PV36Z502C01B00](#) [CMF-RLC50-10-0](#) [PTF01-082T-103B2](#) [CMF-SD35A-2](#) [CMF-RD50-0](#) [CRF0805-FX-R009ELF](#) [5900-153-RC](#) [6324](#) [6346](#) [6359](#) [6630S0D-B28-A203](#) [CW201212-LAB1](#) [70F122AI-RC](#) [74F396AP-RC](#) [83A1D-B28-J10](#) [PCW1J-B24-KAB502](#) [PCW1J-R24-CAB503L](#) [PTS01-11L-103B1](#) [PWR221T-30-1R00F](#) [PWR263S-20-20R0F](#) [H-1060](#) [RJ26FW101](#) [RJR24FX104R](#) [2017-15-SMH-RPLF](#) [2100LL-100-H-RC](#) [2200HT-821-V-RC](#) [RT22C2X502](#) [RT26C2X501](#) [91C1A-D24-A10L](#) [SDE0805A-221K](#) [SRP1238A-1R8M](#) [SRP1238A-R10Y](#) [SRP1265A-R82M](#) [SRR0908-102YL](#) [SRU20-LAB1](#) [SRU5028A-101Y](#) [SRU60-LAB1](#) [3292W-1-501](#) [3296Y-1-500](#) [3309P-1-201](#) [3309P-1-502](#) [3309W-1-102](#) [3319W-1-102](#) [3339P-1-103](#)