

Features

- 27 mm (1-1/16 ") diameter, single-turn wirewound
- Bushing mount
- Gangable to 8 cups
- Outstanding vibration and shock performance
- Shaft supported front and rear by precision sleeve bearings



Model 3435 is obsolete. Models 6657, 6574 and 6674 are preferred.

- High temperature, moisture resistant, thermosetting plastic housing
- Non-standard features and specifications available

3435 - Precision Potentiometer

Electrical Characteristics¹

Standard Resistance Range.....	50 to 20 K ohms
Total Resistance Tolerance.....	±3 %
Independent Linearity.....	±0.5 %
Effective Electrical Angle.....	350 ° ±2 °
Noise.....	100 ohms ENR maximum
Absolute Minimum Resistance.....	1 ohm or 0.1 % (whichever is greater)
Dielectric Withstanding Voltage Sea Level.....	1,000 VAC minimum
Power Rating	
+70 °C.....	1.5 watts
+125 °C.....	.0 watt
Insulation Resistance (500 VDC).....	1,000 megohms minimum
Resolution.....	See ordering information

Environmental Characteristics¹

Operating Temperature Range.....	+1 °C to 125 °C
Storage Temperature Range.....	-65 °C to +125 °C
Temperature Coefficient Over Storage Temperature Range ²	±20 ppm/°C max.
Vibration (MIL-R-12934).....	15 G
Wiper Bounce.....	0.1 millisecond maximum
Total Resistance Shift.....	±5 % maximum
Voltage Ratio Shift.....	±1 % maximum
Shock (MIL-R-12934).....	50 G
Wiper Bounce.....	0.1 millisecond maximum
Total Resistance Shift.....	±5 % maximum
Voltage Ratio Shift.....	±1 % maximum
Load Life.....	1,000 hours
Total Resistance Shift.....	2.0 % maximum
Rotational Life (No Load).....	1,000,000 shaft revolutions
Total Resistance Shift.....	±5 % maximum
Moisture Resistance (MIL-STD-202, Method 106).....	
Total Resistance Shift.....	±5 % maximum
Humidity.....	MIL-R-12934 humidity cycling
Total Resistance Shift.....	±5 % maximum
IP Rating.....	IP 40

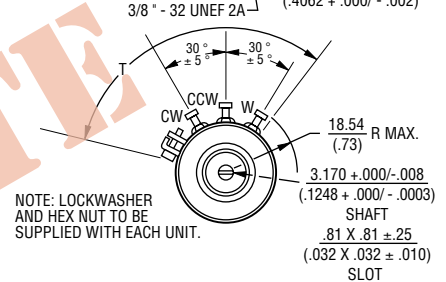
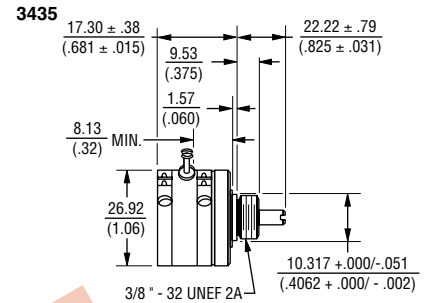
Mechanical Characteristics¹

Mechanical Angle.....	Continuous
Torque	
Starting.....	0.18 N-cm (0.25 oz.-in.) maximum
Running.....	0.18 N-cm (0.25 oz.-in.) maximum
Additional Cups.....	Add 75 % each
Mounting.....	170-200 N-cm (15-18 lb.-in.) maximum
Shaft Runout.....	0.025 mm (0.001 in.) T.I.R.
Shaft End Play.....	0.08 mm (0.003 in.) T.I.R.
Shaft Radial Play.....	0.08 mm (0.003 in.) T.I.R.
Backlash.....	0.25 ° maximum
Weight.....	Approximately 23 gm
Terminals.....	Gold-plated turret type
Soldering Condition	
Manual Soldering.....	96.5Sn/3.0Ag/0.5Cu solid wire or no-clean rosin cored wire 370 °C (700 °F) max. for 3 seconds
Wave Soldering.....	96.5Sn/3.0Ag/0.5Cu solder with no-clean flux 260 °C (500 °F) max. for 5 seconds
Wash processes.....	Not recommended
Marking.....	Manufacturer's name and part number, resistance value and tolerance, linearity tolerance, wiring diagram, date code
Ganging (Multiple Section Potentiometers).....	8 cups maximum
Hardware.....	One lockwasher (H-37-2) and one mounting nut (H-38-2) is shipped with each potentiometer.

¹At room ambient: +25 °C nominal and 50 % relative humidity nominal, except as noted.

²Consult manufacturer for complete specification details.

Product Dimensions

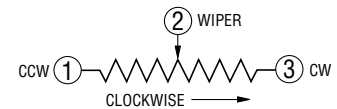


TOLERANCES: EXCEPT WHERE NOTED

DECIMALS: XX ± .51 (.020), .XXX ± .13 (.005)

FRACTIONS: ±1/64

DIMENSIONS: MM (IN.)



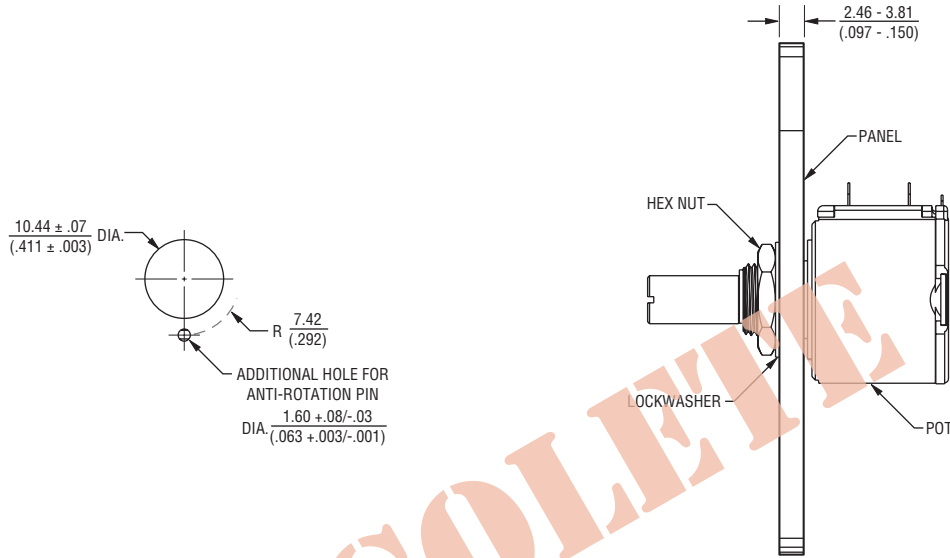
Recommended Part Numbers

Part Number	Resistance (Ω)	Resolution (%)
3435S-1-102	1,000	.208
3435S-1-202	2,000	.178
3435S-1-502	5,000	.135
3435S-1-103	10,000	.107
3435S-1-503	50,000	.057

3435 - Precision Potentiometer

BOURNS®

Panel Thickness Dimensions



Anti-rotation pin hole is shown at six o'clock position for reference only. The actual location is determined by the customer's application. Refer to the front view of the potentiometer to see the location of the optional A/R pin.

Panel thickness and hole diameters are recommended for best fit. However, customers may adjust the dimensions to suit their specific application.

DIMENSIONS: $\frac{MM}{(INCHES)}$ TOLERANCES: $\pm \frac{0.127}{(.005)}$

REV. 03/12

Specifications are subject to change without notice.
Customers should verify actual device performance in their specific applications

X-ON Electronics

Largest Supplier of Electrical and Electronic Components

Click to view similar products for [Precision Potentiometers](#) category:

Click to view products by [Bourns](#) manufacturer:

Other Similar products are found below :

[578002M9648](#) [70J1G032S202A](#) [176FL1-284](#) [F78SB102-M257](#) [3548H-1AA-103B](#) [485025M9267](#) [MH12B-10L-10K](#) [578005M9656](#)
[72N4N048S203W](#) [RO200SF1C103](#) [114BF2A102-L774](#) [200FL1-199](#) [78FL1-397](#) [78MKV-128](#) [501-0004](#) [501-0018](#) [SE15303-352-T4](#)
[284TCBF103A26A1](#) [RO34SF1B502](#) [200FL1-260](#) [4205R10KL.5](#) [3548H-1AB-502A](#) [157-0237](#) [1521R10KL.3](#) [284TBBK103A26B1](#) [SP22G-](#)
[500](#) [DC22-10-100](#) [RCL-100](#) [RCL-200](#) [3590P-4-503L](#) [380C2750K](#) [3548H-1AA-102B](#) [380C2500K](#) [3590P-1-103L](#) [3547S-1AA-202A](#)
[3540S-91-502L](#) [3543S-1-202L](#) [3543S-1-102L](#) [3543S-1-502L](#) [3545S-1-103L](#) [3549S-2AA-102/102A](#) [P3265](#) [P3270](#) [P3275](#) [P3280](#) [P3285](#)
[P3290](#) [6637S-1-102](#) [RV6NAYSD101AP](#) [SP22E-3011-10K](#)