

High Current Chokes



This series is obsolete.

Special Features

- Very high current capacity
- Low DCR
- Ferrite core
- VW-1 rated shrink tubing to cover winding
- Fixed lead spacing
- Operating temperature: -55 to +105 °C

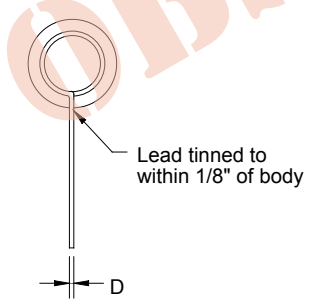
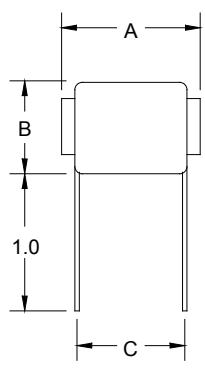
Notes

* Current to cause 5 % max. inductance drop or 35 °C max. temperature rise

† RoHS Directive 2002/95/EC Jan 27 2003 including Annex.

5500 Series							
Part Number	L (μH) ±20 % @ 1 KHz	DCR Ω Max.	I, DC* (A)	Dim. A Max.	Dim. B Max.	Dim. C ±.06	Dim. D ±.005
5501-RC	5	0.013	10	0.88	0.63	0.50	0.042
5502-RC	10	0.017	9	1.12	0.63	0.69	0.042
5503-RC	27	0.030	7	0.88	0.81	0.44	0.042
5504-RC	50	0.045	5.6	0.88	0.81	0.75	0.042
5505-RC	100	0.061	4.9	1.12	0.81	0.94	0.042
5506-RC	150	0.069	4.6	1.38	0.81	1.06	0.042
5507-RC	250	0.089	4	1.62	0.81	1.31	0.042
5508-RC	5	0.009	14	0.88	0.64	0.75	0.053
5509-RC	10	0.012	12	1.12	0.64	1.00	0.053
5510-RC	27	0.022	9	0.88	0.88	0.56	0.053
5511-RC	50	0.028	8	1.12	0.88	0.75	0.053
5512-RC	68	0.034	7.3	1.12	0.88	0.88	0.053
5513-RC	100	0.038	6.8	1.38	0.88	1.00	0.053
5514-RC	150	0.046	6.3	1.62	0.88	1.25	0.053
5515-RC	5	0.006	19	1.12	0.69	0.81	0.065
5516-RC	10	0.008	16	1.38	0.69	1.22	0.065
5517-RC	27	0.014	12.5	1.12	0.94	0.69	0.065
5518-RC	50	0.020	10.5	1.38	0.94	0.94	0.065
5519-RC	68	0.023	10	1.38	0.94	1.12	0.065
5520-RC	100	0.027	10	1.62	0.94	1.31	0.065
5521-RC	5	0.004	23	1.38	0.72	0.94	0.082
5522-RC	10	0.006	20	1.69	0.72	1.50	0.082
5523-RC	27	0.010	15	1.38	1.00	0.94	0.082
5524-RC	50	0.013	15	1.62	1.00	1.12	0.082

“-RC” suffix indicates RoHS compliance.



Dimensions: Inches

X-ON Electronics

Largest Supplier of Electrical and Electronic Components

Click to view similar products for [Fixed Inductors](#) category:

Click to view products by [Bourns](#) manufacturer:

Other Similar products are found below :

[MLZ1608M6R8WTD25](#) [MLZ1608N6R8LT000](#) [MLZ1608N3R3LTD25](#) [MLZ1608N3R3LT000](#) [MLZ1608N150LT000](#)
[MLZ1608M150WTD25](#) [MLZ1608M3R3WTD25](#) [MLZ1608M3R3WT000](#) [MLZ1608M150WT000](#) [MLZ1608A1R5WT000](#)
[MLZ1608N1R5LT000](#) [B82432C1333K000](#) [PCMB053T-1R0MS](#) [PCMB053T-1R5MS](#) [PCMB104T-1R5MS](#) [CR32NP-100KC](#) [CR32NP-151KC](#) [CR32NP-180KC](#) [CR32NP-181KC](#) [CR32NP-1R5MC](#) [CR32NP-390KC](#) [CR32NP-3R9MC](#) [CR32NP-680KC](#) [CR32NP-820KC](#)
[CR32NP-8R2MC](#) [CR43NP-390KC](#) [CR43NP-560KC](#) [CR43NP-680KC](#) [CR54NP-181KC](#) [CR54NP-470LC](#) [CR54NP-820KC](#) [CR54NP-8R5MC](#)
[MGDQ4-00004-P](#) [MGDU1-00016-P](#) [MHL1ECTTP18NJ](#) [MHL1JCTTD12NJ](#) [PE-51506NL](#) [PE-53601NL](#) [PE-53630NL](#) [PE-53824SNLT](#) [PE-62892NL](#) [PE-92100NL](#) [PG0434.801NLT](#) [PG0936.113NLT](#) [PM06-2N7](#) [PM06-39NJ](#) [HC2LP-R47-R](#) [HC2-R47-R](#) [HC3-2R2-R](#) [HC8-1R2-R](#)