

**BOURNS®**

**Features**

- SMD gull-wing (two sizes)
- High frequency
- Low Z tolerance  $\pm 10\%$

**Applications**

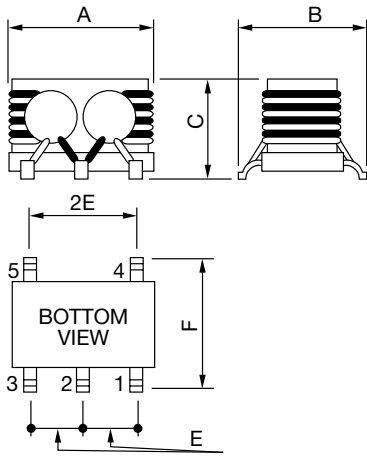
- Single antenna systems
- Master antenna systems
- Wideband communication systems
- SAT-systems
- Digital satellite broadcasting
- Used in antenna amplifiers

**BRN Series - Chip Balun Transformers**

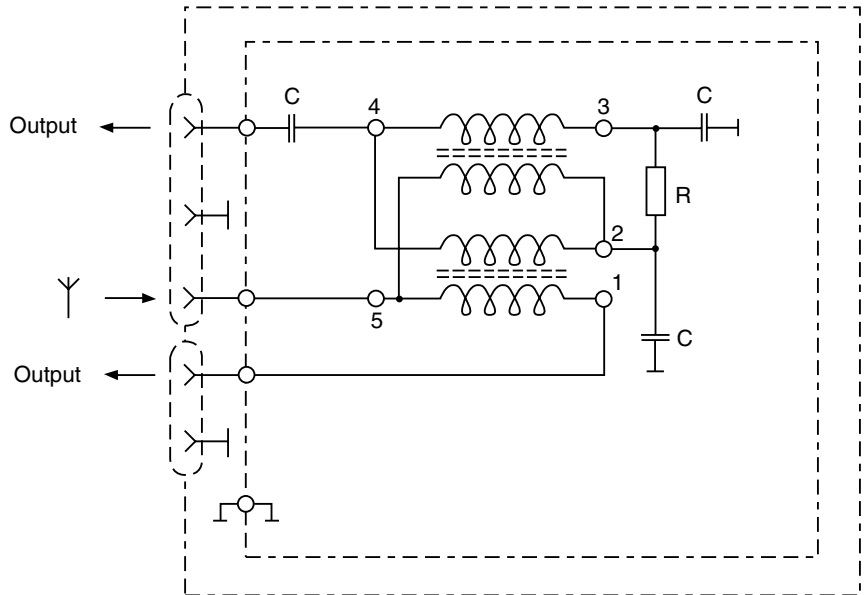
**Dimensions**

	<b>A</b>	<b>B</b>	<b>C</b>	<b>E</b>	<b>F</b>
BRN-SBC-108	$\frac{6.0 \pm 0.3}{(.236 \pm .012)}$	$\frac{6.5 \pm 0.5}{(.256 \pm .020)}$	$\frac{4.2 \pm 0.5}{(.165 \pm .020)}$	$\frac{2.0 \pm 0.2}{(.079 \pm .008)}$	$\frac{5.8 \pm 0.3}{(.228 \pm .012)}$

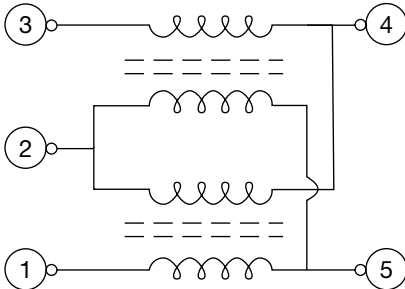
**Configuration**



DIMENSIONS ARE:  $\frac{\text{METRIC}}{\text{(INCHES)}}$



**Schematic**



*Direct distribution of high frequency energy by directional couplers*

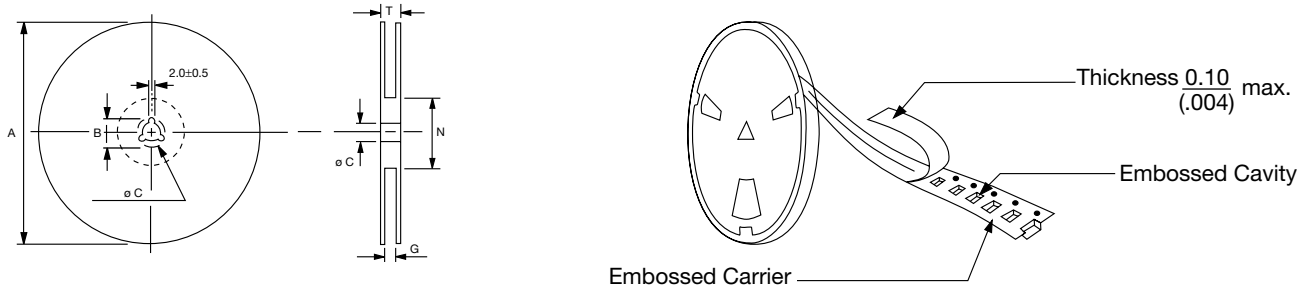
**Electrical Data Z (4-5)**

BRN-SBC-108	
47 MHz	160Ω
230 MHz	270Ω
470 MHz	275Ω
860 MHz	290Ω

# Chip Balun Transformer Packaging Specifications

**BOURNS®**

## Packaging Specifications

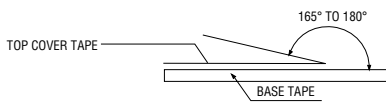


## Reel Dimensions

Model	Tape Size	A	B	C	G	N	T	Packaging
BRN-SBC-108	$\frac{16}{(.63)}$	$\frac{178}{(7.008)}$	$\frac{24.0 \pm 1}{(.945 \pm .039)}$	$\frac{13.0 \pm 0.5}{(.512 \pm .020)}$	$\frac{18}{(.709)}$	$\frac{50^{\circ}}{(1.969^{\circ})}$	$\frac{22.4}{(.882)}$	500 pcs. per Reel

DIMENSIONS ARE:  $\frac{\text{METRIC}}{\text{(INCHES)}}$

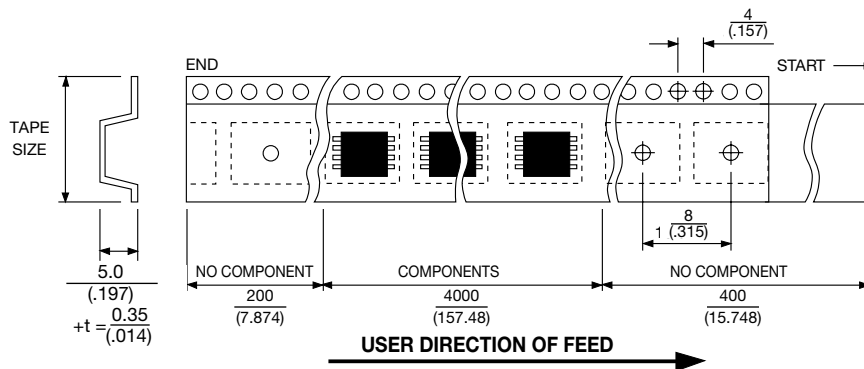
## Strength Of Cover Tape



The force for tearing off cover tape is 10 to 130 grams in the arrow direction.

## Materials

Paper  
 Plastics



## X-ON Electronics

Largest Supplier of Electrical and Electronic Components

*Click to view similar products for [Audio Transformers](#) / [Signal Transformers](#) category:*

*Click to view products by [Bourns](#) manufacturer:*

Other Similar products are found below :

[CX2041NLT](#) [MGPWT-00449-P](#) [PE-64961](#) [H1302FNLT](#) [H5008FNL](#) [H5012FNL](#) [H5020FNLT](#) [H5077NLT](#) [H5079NLT](#) [H5084FNLT](#)  
[B78476A9558A003](#) [1812WBT2-4](#) [1879479-1](#) [HX2260FNL](#) [HX5014FNL](#) [EX2024FNL](#) [FL1066](#) [T1137NLT](#) [T3012NL](#) [PE-65812FNL](#) [PE-65848FNLT](#) [H1174FNL](#) [H1302FNL](#) [H5015FNL](#) [H5019EFNL](#) [H5062FNLT](#) [CX2047LNL](#) [MGPWT-00059-P](#) [MGPWT-00266-P](#) [MGPWT-00278-P](#) [MGPWT-00431-P](#) [TTC-100](#) [TTC-143-H](#) [TTC-5032-1](#) [BX1194WNLT](#) [HX1234NLT](#) [HX5008FNLT](#) [HX5019FNL](#) [HX5084NL](#) [3-1879385-5](#) [TX1263NLT](#) [4-1879391-0](#) [T1142NL](#) [HX6101FNL](#) [HX5084FNL](#) [HX1148NL](#) [HX5020FNLT](#) [HX5014FNLT](#) [T1124NL](#)  
[1879732-1](#)