

### Features

- DC to 5 GHz
- Terminal for lead attachment
- Low VSWR
- Aluminum Nitride substrate



This series is currently available but not recommended for new designs.

### Applications

- Drop-In isolators
- Hybrid couplers
- RF power amplifiers

## CHF3523xNT Series Power RF Chip Termination

### General Specifications

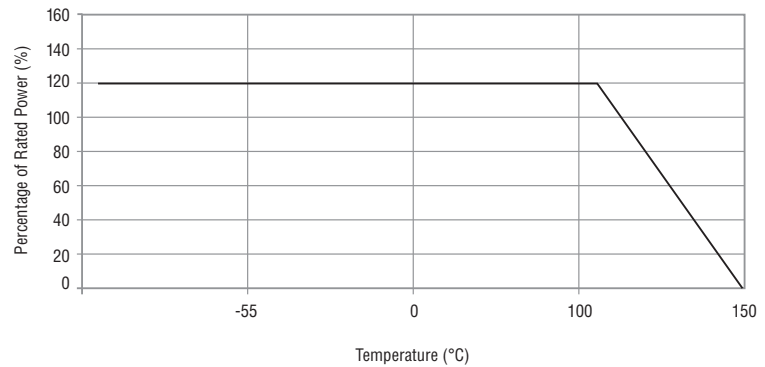
Substrate ..... ALN  
 Resistor ..... Thick Film  
 Resistance ..... 50 W  
 Tolerance ..... ±5 %  
 Packaging ..... 100 pcs./bag

### Absolute Ratings

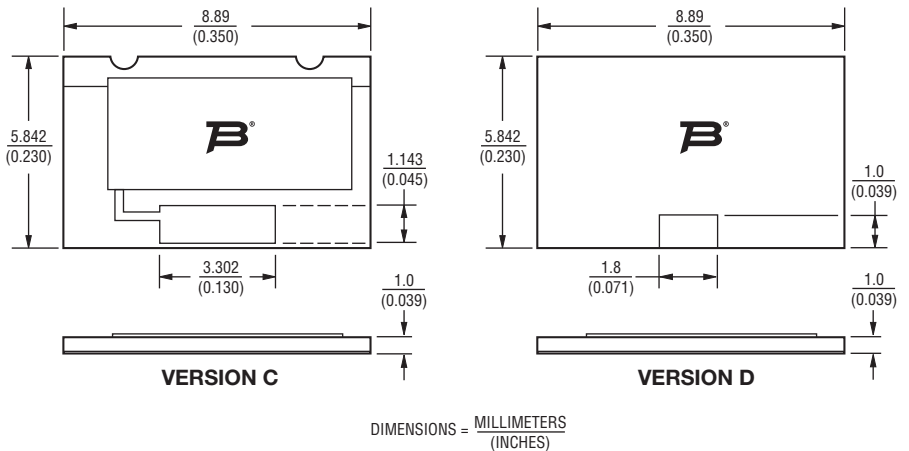
Power  
 Version C ..... 150 W  
 Version D ..... 100 W  
 Frequency  
 Version C ..... 3 GHz  
 Version D ..... 5 GHz  
 VSWR\*  
 Version C ..... 1.2 Maximum  
 Version D ..... 1.1 Maximum

\*VSWR < 1.06 for Frequency < 3.5 GHz.

### Derating Curve



### Product Dimensions



### How To Order

**CHF 3523 x N T 500 L W**

Model \_\_\_\_\_

Size \_\_\_\_\_

Version \_\_\_\_\_  
 C = 150 W, 3 GHz  
 D = 100 W, 5 GHz

Substrate \_\_\_\_\_

Mount \_\_\_\_\_  
 T = Tab

Value \_\_\_\_\_  
 500 = 50 Ohm

Function \_\_\_\_\_  
 L = Termination

Finish \_\_\_\_\_  
 W = Tin Plated

REV. 12/15

\*RoHS Directive 2002/95/EC Jan. 27, 2003 including annex and RoHS Recast 2011/65/EU June 8, 2011. Specifications are subject to change without notice.

The device characteristics and parameters in this data sheet can and do vary in different applications and actual device performance may vary over time. Users should verify actual device performance in their specific applications.

## X-ON Electronics

Largest Supplier of Electrical and Electronic Components

*Click to view similar products for [High Frequency/RF Resistors](#) category:*

*Click to view products by [Bourns](#) manufacturer:*

Other Similar products are found below :

[800-50T-S](#) [10-100RV-S](#) [100200-4X50-2](#) [100200-4Y100-2](#) [100200-4Y50-2](#) [E250N50X4](#) [250-100RM-S](#) [250-50RM](#) [150-100RL-S](#)  
[A4B50X1A](#) [10-50TV](#) [G150N50W4B](#) [250-50TC](#) [60N50TPC](#) [R1A06031000G5AR](#) [400-50R-S](#) [30-300R-S](#) [CH0402-20RJPW](#) [C1A50Z4](#)  
[60N50TPR](#) [400-50T](#) [060120A25X50-2](#) [60-50TP](#) [250375-4X50-2](#) [30-100R-S](#) [40-50TPP](#) [A5B50X1A](#) [CH02016-150RGFTA](#) [CH0402-](#)  
[75RGFTA](#) [CH0402-330RGFTA](#) [CH0402-150RGFTA](#) [CH0402-18RJFTA](#) [CH0402-10RJFTA](#) [CH02016-75RGFTA](#) [CH0402-100RGFTA](#)  
[C150N50Z4](#) [FT10302N0050JBK](#) [CR11005T0100JTR](#) [FT10800N0050JBK](#) [CZ12010T0050GTR](#) [G100N50W4](#) [J100N50X4](#)  
[FC0402E2000DTT5](#) [CR12010T0050JTR](#) [FC0402E3300DTT5](#) [CH0402-100RFNPT](#) [FC0402E50R0BTBS](#) [CH02016-18RJFT](#)  
[FT10301N0050J](#) [CS12010T0100GTR](#)