



### Features

- Radial leaded devices
- Aids compliance with:
  - ITU-T K.20, K.21, K.45
- Narrow resistance tolerance
- RoHS compliant\*



This series is obsolete. The [CMF-RL](#) series is a suggested replacement.

### Applications

Used as a secondary overcurrent protection device in:

- Customer Premise Equipment (CPE)
- Central Office (CO)
- Access equipment

## CMF-RLC Series - Telecom CPTC Resettable Fuses

### Electrical Characteristics

Model	Max. Voltage Withstand	Rated Resistance (RN)		Packaging Resistance Matching	Hold Current	Trip Current	I <sub>max</sub> @ 230 VAC	Time to Trip @ I <sub>max</sub> / 230 VAC
	V <sub>rms</sub>	Ohms	Tolerance	Ohms	Amps @ 25 °C	Amps @ 25 °C	Amps	Seconds
CMF-RLC50	650	50	±20 %	± 0.5	0.065	0.150	< 3	< 0.1
CMF-RLC50-10	650	50	±10 %	± 0.5	0.065	0.150	< 3	< 0.1

### Test Procedures And Requirements For Model CMF-RLC Series

Test	Test Conditions	Requirements*
Lightning Surge	10/1000 ms / 1k V / 25 A / 30 Cycles, every 3 Min.	(R <sub>i</sub> -R <sub>f</sub> ) / R <sub>i</sub> < ±10 %
Power Induction	600 V, 1 A, 1 Sec., 10 Cycles, every 1 Min.	(R <sub>i</sub> -R <sub>f</sub> ) / R <sub>i</sub> < ±10 %
Power Contact	230 V, 23 A, 15 Min.	(R <sub>i</sub> -R <sub>f</sub> ) / R <sub>i</sub> < ±10 %
Overvoltage Withstand	380 V, 3 A, 4 Hours, 1 Time	(R <sub>i</sub> -R <sub>f</sub> ) / R <sub>i</sub> < ±10 %
Failure Mode	600 V, RL=0, 60 Min, 1 Time	**

R<sub>i</sub> = R initial

R<sub>f</sub> = R final

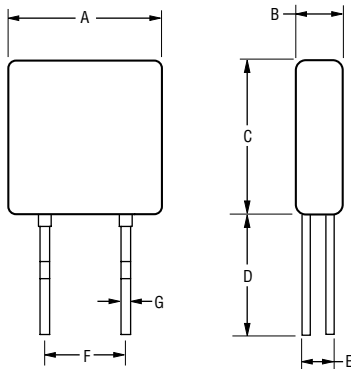
\*\* Circuit disconnected or high reinforce is acceptable.

### Product Dimensions

Model	A	B	C	D	E	F	G	Physical Characteristics
	Nom.	Nom.	Nom.	Nom.	Nom.	Nom.	Nom.	Material
CMF-RLC50	$\frac{9.0 \pm 0.20}{(0.354 \pm .008)}$	$\frac{4.5 \pm 0.20}{(0.177 \pm .008)}$	$\frac{9.6 \pm 0.20}{(0.378 \pm .008)}$	$\frac{4.7 \pm 0.20}{(0.185 \pm .008)}$	$\frac{2.54 \pm 0.20}{(0.100 \pm .008)}$	$\frac{5.08 \pm 0.20}{(0.200 \pm .008)}$	$\frac{0.8}{(0.031)}$	Sn/Cu

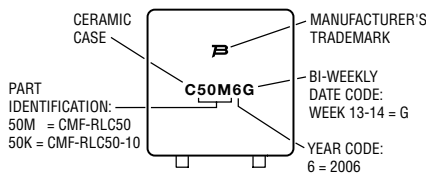
Packaging options:  
BULK: 192 pcs. per box

DIMENSIONS:  $\frac{\text{MM}}{\text{INCHES}}$

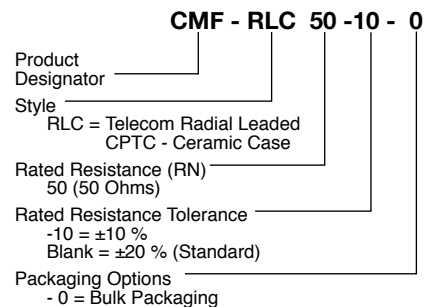


### Typical Part Marking

Represents total content. Layout may vary.



### How to Order



CMF-RLC SERIES, REV. E, 1019

\*RoHS Directive 2002/95/EC Jan 27 2003 including Annex. Specifications are subject to change without notice.

Users should verify actual device performance in their specific applications.

The products described herein and this document are subject to specific legal disclaimers as set forth on the last page of this document, and at [www.bourns.com/docs/legal/disclaimer.pdf](http://www.bourns.com/docs/legal/disclaimer.pdf).

## X-ON Electronics

Largest Supplier of Electrical and Electronic Components

*Click to view similar products for [Resettable Fuses - PPTC](#) category:*

*Click to view products by [Bourns](#) manufacturer:*

Other Similar products are found below :

[0001.1010.G](#) [RF0077-000](#) [RF3256-000](#) [RF3301-000](#) [RF3382-000](#) [ASMD185-2](#) [SMD125-2](#) [RF2531-000](#) [RF2873-000](#) [RF3060-000](#) [TR600-150Q-B-0.5-0.130](#) [RXE090](#) [5E4795/04-1502](#) [TRF250-080T-B-1.0-0.125](#) [SMD100-2](#) [NIS5452MT1TXG](#) [NIS5431MT1TXG](#) [SMD250-2](#) [0ZCM0001FF2G](#) [0ZCM0003FF2G](#) [0ZCM0004FF2G](#) [BK60-017-DI](#) [BK60-075-DZ](#) [BK60-050-DI](#) [BSMD1210-050-13.2V](#) [SMD1206-200C-16V](#) [SMD1210-500-6V](#) [SMD1210-550-6V](#) [SMD0603-075-6V](#) [SMD0603-100-6V](#) [SMD0603-150-6V](#) [JK-SMD0805-300L](#) [JK-SMD1210-300L](#) [JK-SMD1210-400L](#) [JK-MSMD500L-12V](#) [BSMD0603-050-9V](#) [BSMD0603-050-12V](#) [BSMD0805-035-12V](#) [BSMD1812L-600-12V](#) [FTR1812-014](#) [FTR1206-150](#) [FTR1206-110](#) [FTR1812-260/16](#) [FTR1210-035/30](#) [FTR1812-020](#) [SMD0805-110](#) [BSMD1206-200-16V](#) [FRV055-240F](#) [F95456-000](#) [SMD0603B020TF](#)