



Features

- RoHS compliant*
- Power rating at 70 °C: CR0603 - 0.10 W, CR0805 - 0.125 W, CR1206 - 0.25 W
- Tight tolerances of bottom electrode width
- Suitable for all types of soldering processes
- Three layer contacting process with nickel barrier prevents leaching and provides excellent solderability
- Paper tape on reel for automatic placement

BOURNS®

CR0603/CR0805/CR1206 - Chip Resistors

Electrical Characteristics

| Characteristic | Model CR0603 | Model CR0805 | Model CR1206 |
|--|---------------------------------------|--------------|--------------|
| Power Rating @ 70 °C | 1/10 W | 1/8 W | 1/4 W |
| Operating Temperature Range | -55 °C to +155 °C | | |
| Derated to 0 Load at | +155 °C | | |
| Maximum Working Voltage | 50 V | 150 V | 200 V |
| Maximum Overload Voltage | 100 V | 300 V | 400 V |
| Resistance Range: 1 % E-96 + E-24 | 10 ohms ≤ R ≤ 1M ohms ±100 PPM/°C | | |
| Resistance Range: 5 % E-24 | 1M ohms < R ≤ 10M ohms ±200 PPM/°C | | |
| Zero Ohm Jumper <0.05 ohm Rated / Maximum Current | 1 A / 2.5 A | 2 A / 5 A | 2 A / 5 A |

AEC-Q200: Contact Bourns to confirm availability.

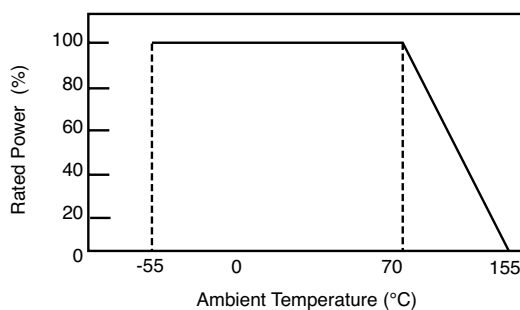
For Standard Values Used in Capacitors, Inductors, and Resistors, [click here](#).

Chip Dimensions

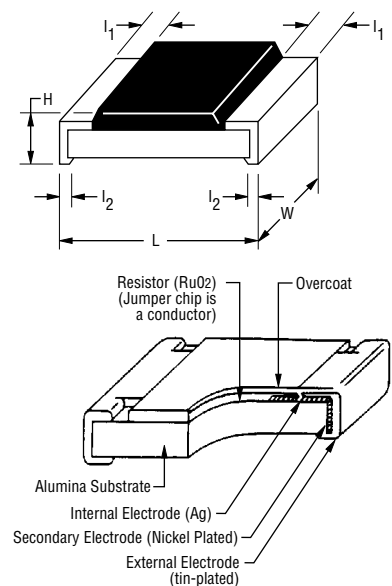
| Dimension | Model CR0603 | Model CR0805 | Model CR1206 |
|-----------|---|---|---|
| L | $\frac{1.60 \pm 0.10}{(0.063 \pm 0.004)}$ | $\frac{2.00 \pm 0.15}{(0.079 \pm 0.006)}$ | $\frac{3.20 \pm 0.25}{(0.126 \pm 0.010)}$ |
| W | $\frac{0.80 \pm 0.10}{(0.031 \pm 0.004)}$ | $\frac{1.25 \pm 0.15}{(0.049 \pm 0.006)}$ | $\frac{1.60 \pm 0.15}{(0.063 \pm 0.006)}$ |
| H | $\frac{0.45 \pm 0.10}{(0.018 \pm 0.004)}$ | $\frac{0.50 \pm 0.10}{(0.020 \pm 0.004)}$ | $\frac{0.60 \pm 0.15}{(0.024 \pm 0.006)}$ |
| l1 | $\frac{0.30 \pm 0.20}{(0.012 \pm 0.008)}$ | $\frac{0.40 \pm 0.20}{(0.016 \pm 0.008)}$ | $\frac{0.50 \pm 0.25}{(0.020 \pm 0.010)}$ |
| l2 | $\frac{0.30 \pm 0.20}{(0.012 \pm 0.008)}$ | $\frac{0.40 \pm 0.20}{(0.016 \pm 0.008)}$ | $\frac{0.50 \pm 0.20}{(0.020 \pm 0.010)}$ |

DIMENSIONS: $\frac{\text{MM}}{\text{(INCHES)}}$

Derating Curve



Characteristic Data



*RoHS Directive 2002/95/EC Jan. 27, 2003 including annex and RoHS Recast 2011/65/EU June 8, 2011. Specifications are subject to change without notice. The device characteristics and parameters in this data sheet can and do vary in different applications and actual device performance may vary over time. Users should verify actual device performance in their specific applications.

CR0603/CR0805/CR1206 - Chip Resistors

BOURNS®

Performance Characteristics

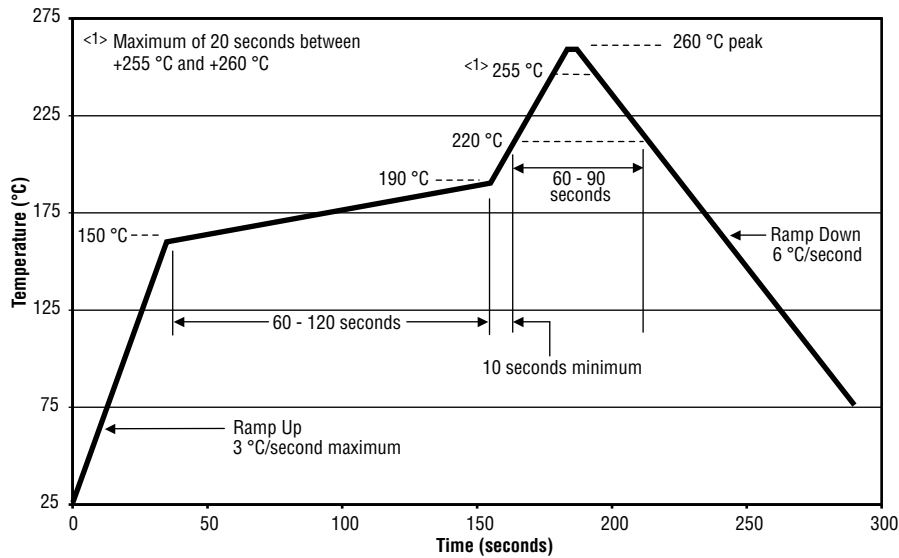
| Test | Procedure | Method | Specification | Test Limits ΔR | |
|---------------------------------|--|---|---------------------|--|----------------------------------|
| | | | | 1 % | 5 % |
| DC Resistance | -- | MIL-STD-202 303 EIA RS-396 4.4 | MIL-R-55342D 4.7.2 | $\leq \pm 1 \%$ | $\leq \pm 5.0 \%$ |
| Low Temperature Operation | -55 °C, 1 hour "OFF"; 45 minutes "ON" | MIL-R-55342D 4.7.4 EIA RS-396 4.6 | MIL-R-55342D 4.7.4 | $\leq \pm(0.5 \% + 0.05 \Omega)$ | $\leq \pm(1.0 \% + 0.05 \Omega)$ |
| Short time Overload | Rated Voltage x 2.5, 5 seconds: CR0603: 100 V max. CR0805: 300 V max. CR1206: 400 V max. | MIL-R-55342D 4.7.5 EIA RS-396 4.7 | MIL-R-55342D 4.7.5 | $\leq \pm(1 \% + 0.05 \Omega)$ | $\leq \pm(2 \% + 0.05 \Omega)$ |
| High Temperature Exposure | +125 °C, 1000 hours | MIL-R-55342D 4.7.6 EIA RS-396 4.8 | MIL-R-55342D 4.7.6 | $\leq \pm(1.0 \% + 0.05 \Omega)$ | $\leq \pm(2.0 \% + 0.1 \Omega)$ |
| Resistance to Solder Heat | 260 °C, 10 seconds | MIL-R-55342D 4.7.7 | MIL-R-55342D 4.7.7 | $\leq \pm(0.5 \% + 0.05 \Omega)$ | $\leq \pm(1.0 \% + 0.05 \Omega)$ |
| Moisture Resistance | 90-98 % RH, 10 cycles | MIL-STD-202 106D EIA RS-396 4.9 | MIL-R-55342D 4.7.8 | $\leq \pm(0.5 \% + 0.05 \Omega)$ | $\leq \pm(2.0 \% + 0.05 \Omega)$ |
| Load Life | +70 °C; 1.5 hours "ON", 0.5 hours "OFF"; 1000 hours | MIL-STD-202 108 Condition D EIA RS-396 4.12 | MIL-R-55342D 4.7.10 | $\leq \pm(1.0 \% + 0.05 \Omega)$ | $\leq \pm(3.0 \% + 0.1 \Omega)$ |
| Solderability | +235 °C; 3 seconds | MIL-STD-202 208 EIA RS-396 4.11 | MIL-R-55342D 4.7.11 | $\geq 95 \%$ of area covered | |
| Terminal Strength | Pull Test | MIL-R-55342D 4.7.12 | MIL-R-55342D 4.7.12 | ≥ 500 g | |
| Current Noise | Quan-Tech Model 315B | MIL-STD-202 308 | MIL-R-55342D 6.6 | R \leq 1 kW; 1 mV/V max. R \leq 10 kW; 3 mV/V max. R \leq 100 kW; 6 mV/V max. R \leq 1 MW; 10 mV/V max. | |
| Humidity, Steady State | +40 °C; 90-95 % RH, 1344 hours | MIL-STD-202 103B Condition D | -- | $\leq \pm(2.5 \% + 0.05 \Omega)$ | $\leq \pm(2.5 \% + 0.05 \Omega)$ |
| Salt Spray | 96 hours | MIL-STD-202 101D Condition A | -- | $\leq \pm(1.0 \% + 0.2 \Omega)$ | $\leq \pm(1.0 \% + 0.1 \Omega)$ |
| Vibration | 10-2000 Hz, 6 hours | MIL-STD-202 201A | -- | $\leq \pm(0.5 \% + 0.1 \Omega)$ | $\leq \pm(1.0 \% + 0.1 \Omega)$ |
| Voltage Coefficient | -- | MIL-STD-202 309 | -- | ≤ 100 ppm/V | |
| Insulation Resistance | Test potential: 500V CR0603: 100 V | MIL-STD-202 302 Condition B | -- | ≥ 1 G Ω | |
| Dielectric Withstanding Voltage | -- | MIL-STD-202 301 | -- | CR0805, CR1206: ≥ 500 V CR0603: ≥ 300 V | |
| Drop Test | 1 m | MIL-STD-202 203B | -- | $\leq \pm(0.5 \% + 0.1 \Omega)$ | $\leq \pm(1 \% + 0.1 \Omega)$ |
| Bending Test | 5 mm/90 mm, 10 seconds | -- | -- | $\leq \pm(1 \% + 0.05 \Omega)$ | $\leq \pm(1 \% + 0.05 \Omega)$ |
| Thermal Shock | -55 °C for 30 minutes, +155 °C for 30 minutes, 5 cycles | IEC 60115-1-4.19 | -- | $\leq \pm(0.5 \% + 0.05 \Omega)$ | $\leq \pm(1 \% + 0.05 \Omega)$ |
| Resistance to Dry Heat | 125 \pm 5 °C for 96 \pm 4 hours | IEC 60115-1-4.23.2 | -- | $\leq \pm(1 \% + 0.05 \Omega)$ | $\leq \pm(2 \% + 0.1 \Omega)$ |

Specifications are subject to change without notice.
The device characteristics and parameters in this data sheet can and do vary in different applications and actual device performance may vary over time.
Users should verify actual device performance in their specific applications.

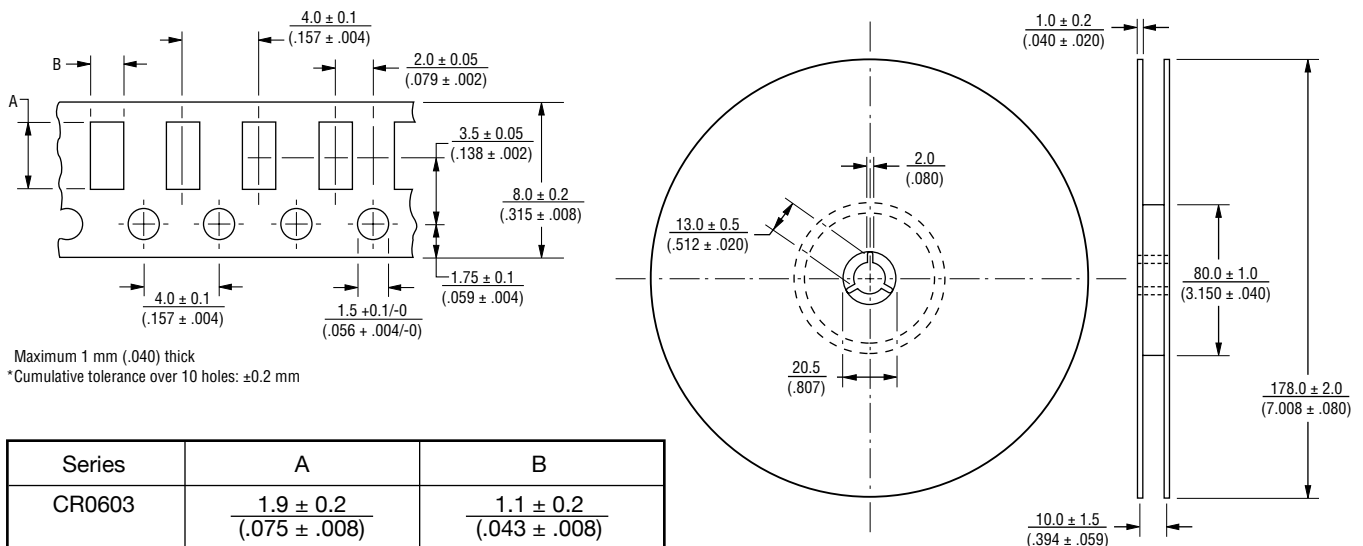
CR0603/CR0805/CR1206 - Chip Resistors

BOURNS®

Soldering Profile for RoHS Compliant Chip Resistors and Arrays



Packaging Dimensions (Conforms to EIA RS-481A)



| Series | A | B |
|--------|--|--|
| CR0603 | $\frac{1.9 \pm 0.2}{(.075 \pm .008)}$ | $\frac{1.1 \pm 0.2}{(.043 \pm .008)}$ |
| CR0805 | $\frac{2.4 \pm 0.2}{(.094 \pm .008)}$ | $\frac{1.65 \pm 0.2}{(.065 \pm .008)}$ |
| CR1206 | $\frac{3.57 \pm 0.2}{(.161 \pm .008)}$ | $\frac{2.00 \pm 0.2}{(.079 \pm .008)}$ |

DIMENSIONS: $\frac{\text{MM}}{\text{(INCHES)}}$

Marking on reel: Part number, quantity, resistance value and tolerance, date code.

Specifications are subject to change without notice.

The device characteristics and parameters in this data sheet can and do vary in different applications and actual device performance may vary over time. Users should verify actual device performance in their specific applications.

CR0603/CR0805/CR1206 - Chip Resistors

BOURNS®

Resistor Markings

CR0603
CR0805
CR1206



E-24 marking
Value = 10K ohms

CR0805
CR1206



E-96 marking
Value = 44.2K ohms

CR0603
EIA-96 Marking



1 % marking
Value = 12.4K ohms

Marking Explanation

- E-24: 3 digits, first two digits are significant, third digit is number of zeros.
Letter R is decimal point.
- E-96: 4 digits, first three digits are significant, fourth digit is number of zeros.
Letter R is decimal point.
0603 E-96: EIA-96 marking (see table below).

EIA-96 Marking for CR0603, 1 %

| Code | R Value | Code | R Value | Code | R Value | Code | R Value | Code | R Value | Code | R Value | Code | R Value | Code | R Value |
|------|---------|------|---------|------|---------|------|---------|------|---------|------|---------|------|---------|------|---------|
| 01 | 100 | 13 | 133 | 25 | 178 | 37 | 237 | 49 | 316 | 61 | 422 | 73 | 562 | 85 | 750 |
| 02 | 102 | 14 | 137 | 26 | 182 | 38 | 243 | 50 | 324 | 62 | 432 | 74 | 576 | 86 | 768 |
| 03 | 105 | 15 | 140 | 27 | 187 | 39 | 249 | 51 | 332 | 63 | 442 | 75 | 590 | 87 | 787 |
| 04 | 107 | 16 | 143 | 28 | 191 | 40 | 255 | 52 | 340 | 64 | 453 | 76 | 604 | 88 | 806 |
| 05 | 110 | 17 | 147 | 29 | 196 | 41 | 261 | 53 | 348 | 65 | 464 | 77 | 619 | 89 | 825 |
| 06 | 113 | 18 | 150 | 30 | 200 | 42 | 267 | 54 | 357 | 66 | 475 | 78 | 634 | 90 | 845 |
| 07 | 115 | 19 | 154 | 31 | 205 | 43 | 274 | 55 | 365 | 67 | 487 | 79 | 649 | 91 | 866 |
| 08 | 118 | 20 | 158 | 32 | 210 | 44 | 280 | 56 | 374 | 68 | 499 | 80 | 665 | 92 | 887 |
| 09 | 121 | 21 | 162 | 33 | 215 | 45 | 287 | 57 | 383 | 69 | 511 | 81 | 681 | 93 | 909 |
| 10 | 124 | 22 | 165 | 34 | 221 | 46 | 294 | 58 | 392 | 70 | 523 | 82 | 698 | 94 | 931 |
| 11 | 127 | 23 | 169 | 35 | 226 | 47 | 301 | 59 | 402 | 71 | 536 | 83 | 715 | 95 | 953 |
| 12 | 130 | 24 | 174 | 36 | 232 | 48 | 309 | 60 | 412 | 72 | 549 | 84 | 732 | 96 | 976 |

This table shows the first two digits for the three-digit EIA-96 part marking scheme. The third character is a letter multiplier:
Y=10⁻² X=10⁻¹ A=10⁰ B=10¹ C=10² D=10³ E=10⁴ F=10⁵

CR0603/CR0805/CR1206 - Chip Resistors

BOURNS®

How To Order

CR 1206 - F X - 8252 E LF

Model _____
(CR = Chip Resistor)

Size _____
• 0603
• 0805
• 1206

Resistance Tolerance _____
F = ±1 %Use with "X" TCR code only for values from 10 ohms through 1 megohm;
Use with "W" TCR code only for values from 1 megohm through 10 megohms.
J = ±5 %Use with "W" TCR code for values from 10 ohms through 10 megohms;
Use with "Z" TCR code for values above 10 megohms through 20 megohms;
Use with "/" TCR code for zero ohm (jumper) and values from 1 ohm through 9.1 ohms.

TCR (ppm/°C) _____
X = ±100
W = ±200
Z = ±400
/ = Used with "J" Resistance Tolerance code for zero ohm (jumper) and values from 1 ohm through 9.1 ohms.

Resistance Value _____

For 1 % Tolerance:
<100 ohms....."R" represents decimal point (example: 24R3 = 24.3 ohms).
≥100 ohms.....First three digits are significant, fourth digit represents number of zeros to follow (example: 8252 = 82.5k ohms).

For 5 % Tolerance:
<10 ohms....."R" represents decimal point (example: 4R7 = 4.7 ohms).
≥10 ohms.....First two digits are significant, third digit represents number of zeros to follow (example: 474 = 470k ohms; 000 = Jumper).

Packaging _____
E = Paper Tape (5,000 pcs.) on 7 " Plastic Reel

Termination _____
LF = Tin-plated (RoHS Compliant)

X-ON Electronics

Largest Supplier of Electrical and Electronic Components

Click to view similar products for [Thick Film Resistors - SMD category](#):

Click to view products by [Bourns manufacturer](#):

Other Similar products are found below :

[CR-05FL7--150R](#) [CR-05FL7--19K6](#) [CR-05FL7--243R](#) [CR-05FL7--40K2](#) [CR-05FL7--698K](#) [CR-12FP4--324R](#) [CR-12JP4--680R](#)
[M55342K06B1E78RS3](#) [M55342K06B6E19RWL](#) [M55342K06B6E81RS3](#) [M55342M05B200DRWB](#) [M55342M06B4K70MS3](#) [MC0603-511-](#)
[JTW](#) [742C083750JTR](#) [MCR01MZPF1202](#) [MCR01MZPF1601](#) [MCR01MZPF1800](#) [MCR01MZPF6201](#) [MCR01MZPF9102](#) [MCR01MZPJ113](#)
[MCR01MZPJ121](#) [MCR01MZPJ125](#) [MCR01MZPJ751](#) [MCR03EZHJ103](#) [MCR03EZPFX2004](#) [MCR03EZPJ270](#) [MCR03EZPJ821](#)
[MCR10EZPF1102](#) [MCR18EZPJ330](#) [RC0603F1473CS](#) [RC0603F150CS](#) [RC1005F1152CS](#) [RC1005F1182CS](#) [RC1005F1372CS](#)
[RC1005F183CS](#) [RC1005F1911CS](#) [RC1005F1912CS](#) [RC1005F203CS](#) [RC1005F2052CS](#) [RC1005F241CS](#) [RC1005F2431CS](#)
[RC1005F3011CS](#) [RC1005F303CS](#) [RC1005F4321CS](#) [RC1005F4642CS](#) [RC1005F471CS](#) [RC1005F4751CS](#) [RC1005F5621CS](#)
[RC1005F6041CS](#) [RC1005J106CS](#)