



## Features

- Formerly a **KEKOVARICON** product
- Five model sizes available - 7, 10, 14, 20 and 23 mm
- Broad range of current and energy handling capabilities
- 60 to 550 V<sub>rms</sub> AC voltage range; higher voltages available upon request
- 85 to 745 Vdc DC operating voltage range
- Available in tape and reel packaging for automatic pick-and-place (7-20 mm)
- RoHS compliant\*

## CVQ Series – Extended Medium Voltage Disc Varistors

### General Information

The CVQ series of transient surge suppressors is the extended version of CV series disc shaped varistors. The CVQ series consists of 7 mm, 10 mm, 14 mm, 20 mm and 23 mm sized varistors with extremely high current and energy capabilities. This series provides an increased level of protection for the transients expected in telecommunication and AC power networks. The AC operating voltage of these varistors ranges from 60 V to 550 V.

### Absolute Maximum Ratings

| Parameter   | Value         | Units |
|---|---------------|-------|
| <b>Continuous:</b>  |               |       |
| Steady State Applied Voltage  |               |       |
| DC Voltage Range (V <sub>dc</sub> )                                   | 85 to 745     | V     |
| AC Voltage Range (V <sub>rms</sub> )                                  | 60 to 550     | V     |
| <b>Transient:</b>   |               |       |
| Peak Single Pulse Surge Current, 8/20 μs Waveform (I <sub>max</sub> ) | 1750 to 15000 | A     |
| Single Pulse Surge Energy, 10/1000 μs Waveform (W <sub>max</sub> )    | 9 to 627      | J     |
| Operating Ambient Temperature   | -40 to +85    | °C    |
| Storage Temperature Range   | -40 to +125   | °C    |
| Threshold Voltage Temperature Coefficient                             | < +0.05       | %/°C  |
| Insulation Resistance   | > 1           | GΩ    |
| Isolation Voltage Capability  | > 2.5         | kV    |
| Response Time   | < 25          | ns    |
| Climatic Category   | 40 / 85 / 56  |       |

### Additional Information

Click these links for more information:

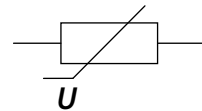


### Agency Recognition

| Standard    | UL 1449                   |
|-------------|---------------------------|
| File Number | <a href="#">E313168**</a> |

\*\*Not all rated voltages are UL recognized; check the file for details.

### Varistor Symbol



### Index

|   |                       |
|---|-----------------------|
| Features .....                                    | <a href="#">1</a>     |
| General Information .....                         | <a href="#">1</a>     |
| Agency Recognition .....                          | <a href="#">1</a>     |
| Varistor Symbol .....                             | <a href="#">1</a>     |
| Summary of Custom Varistor Options .....          | <a href="#">1</a>     |
| Absolute Maximum Ratings .....                    | <a href="#">1</a>     |
| Device Ratings .....                              | <a href="#">2-3</a>   |
| Product Dimensions .....                          | <a href="#">4-6</a>   |
| How to Order .....                                | <a href="#">7</a>     |
| Typical Part Marking .....                        | <a href="#">7</a>     |
| Pulse Rating Curves .....                         | <a href="#">7-9</a>   |
| Packaging Drawings .....                          | <a href="#">10</a>    |
| Packaging Specifications .....                    | <a href="#">11-12</a> |
| Assembly / Soldering                              |                       |
| Recommendations for Through-Hole Components ..... | <a href="#">13</a>    |
| Reliability Testing Procedures .....              | <a href="#">14-15</a> |
| Terminology .....                                 | <a href="#">16</a>    |
| Legal Disclaimer .....                            | <a href="#">17</a>    |

**BOURNS®**

Asia-Pacific: Tel: +886-2 2562-4117 • Email: [asiacus@bourns.com](mailto:asiacus@bourns.com)

EMEA: Tel: +36 88 885 877 • Email: [euocus@bourns.com](mailto:euocus@bourns.com)

The Americas: Tel: +1-951 781-5500 • Email: [americus@bourns.com](mailto:americus@bourns.com)

[www.bourns.com](http://www.bourns.com)



**WARNING Cancer and Reproductive Harm - [www.P65Warnings.ca.gov](http://www.P65Warnings.ca.gov)**

\*RoHS Directive 2015/863, Mar 31, 2015 and Annex.

Specifications are subject to change without notice.

Users should verify actual device performance in their specific applications.

The products described herein and this document are subject to specific legal disclaimers as set forth on the last page of this document, and at [www.bourns.com/docs/legal/disclaimer.pdf](http://www.bourns.com/docs/legal/disclaimer.pdf).

# CVQ Series – Extended Medium Voltage Disc Varistors



## Device Ratings

| Model        | V <sub>rms</sub> | V <sub>dc</sub> | V <sub>n</sub><br>@ 1 mA | V <sub>c</sub> | I <sub>c</sub> | W <sub>max</sub><br>10/1000 μs | P<br>max. | I <sub>max</sub><br>8/20 μs | C Typ.<br>@ 1 kHz |
|--------------|------------------|-----------------|--------------------------|----------------|----------------|--------------------------------|-----------|-----------------------------|-------------------|
|              | V                | V               | V                        | V              | A              | J                              | W         | A                           | pF                |
| CVQ 60 K 7   | 60               | 85              | 100                      | 165            | 10             | 9                              | 0.25      | 1750                        | 680               |
| CVQ 60 K 10  | 60               | 85              | 100                      | 165            | 25             | 18                             | 0.4       | 3500                        | 1200              |
| CVQ 60 K 14  | 60               | 85              | 100                      | 165            | 50             | 38                             | 0.6       | 6000                        | 2200              |
| CVQ 60 K 20  | 60               | 85              | 100                      | 165            | 100            | 77                             | 1         | 12000                       | 4100              |
| CVQ 75 K 7   | 75               | 100             | 120                      | 200            | 10             | 11                             | 0.25      | 1750                        | 550               |
| CVQ 75 K 10  | 75               | 100             | 120                      | 200            | 25             | 24                             | 0.4       | 3500                        | 950               |
| CVQ 75 K 14  | 75               | 100             | 120                      | 200            | 50             | 46                             | 0.6       | 6000                        | 1800              |
| CVQ 75 K 20  | 75               | 100             | 120                      | 200            | 100            | 88                             | 1         | 12000                       | 3300              |
| CVQ 95 K 7   | 95               | 125             | 150                      | 250            | 10             | 14                             | 0.25      | 1750                        | 440               |
| CVQ 95 K 10  | 95               | 125             | 150                      | 250            | 25             | 28                             | 0.4       | 3500                        | 750               |
| CVQ 95 K 14  | 95               | 125             | 150                      | 250            | 50             | 58                             | 0.6       | 6000                        | 1400              |
| CVQ 95 K 20  | 95               | 125             | 150                      | 250            | 100            | 116                            | 1         | 12000                       | 2600              |
| CVQ 115 K 7  | 115              | 150             | 180                      | 300            | 10             | 16                             | 0.25      | 1750                        | 360               |
| CVQ 115 K 10 | 115              | 150             | 180                      | 300            | 25             | 34                             | 0.4       | 3500                        | 650               |
| CVQ 115 K 14 | 115              | 150             | 180                      | 300            | 50             | 71                             | 0.6       | 6000                        | 1200              |
| CVQ 115 K 20 | 115              | 150             | 180                      | 300            | 100            | 128                            | 1         | 12000                       | 2100              |
| CVQ 130 K 7  | 130              | 170             | 205                      | 340            | 10             | 19                             | 0.25      | 1750                        | 360               |
| CVQ 130 K 10 | 130              | 170             | 205                      | 340            | 25             | 38                             | 0.4       | 3500                        | 580               |
| CVQ 130 K 14 | 130              | 170             | 205                      | 340            | 50             | 77                             | 0.6       | 6000                        | 1050              |
| CVQ 130 K 20 | 130              | 170             | 205                      | 340            | 100            | 154                            | 1         | 12000                       | 1900              |
| CVQ 130 K 23 | 130              | 170             | 205                      | 340            | 100            | 172                            | 1         | 15000                       | 3500              |
| CVQ 140 K 7  | 140              | 180             | 220                      | 360            | 10             | 22                             | 0.25      | 1750                        | 300               |
| CVQ 140 K 10 | 140              | 180             | 220                      | 360            | 25             | 42                             | 0.4       | 3500                        | 540               |
| CVQ 140 K 14 | 140              | 180             | 220                      | 360            | 50             | 85                             | 0.6       | 6000                        | 980               |
| CVQ 140 K 20 | 140              | 180             | 220                      | 360            | 100            | 170                            | 1         | 12000                       | 1800              |
| CVQ 140 K 23 | 140              | 180             | 220                      | 360            | 100            | 190                            | 1         | 15000                       | 3200              |
| CVQ 150 K 7  | 150              | 200             | 240                      | 395            | 10             | 23                             | 0.25      | 1750                        | 280               |
| CVQ 150 K 10 | 150              | 200             | 240                      | 395            | 25             | 46                             | 0.4       | 3500                        | 510               |
| CVQ 150 K 14 | 150              | 200             | 240                      | 395            | 50             | 92                             | 0.6       | 6000                        | 900               |
| CVQ 150 K 20 | 150              | 200             | 240                      | 395            | 100            | 185                            | 1         | 12000                       | 1600              |
| CVQ 150 K 23 | 150              | 200             | 240                      | 395            | 100            | 207                            | 1         | 15000                       | 2900              |
| CVQ 175 K 7  | 175              | 225             | 270                      | 455            | 10             | 26                             | 0.25      | 1750                        | 250               |
| CVQ 175 K 10 | 175              | 225             | 270                      | 455            | 25             | 53                             | 0.4       | 3500                        | 440               |
| CVQ 175 K 14 | 175              | 225             | 270                      | 455            | 50             | 108                            | 0.6       | 6000                        | 800               |
| CVQ 175 K 20 | 175              | 225             | 270                      | 455            | 100            | 210                            | 1         | 12000                       | 1400              |
| CVQ 175 K 23 | 175              | 225             | 270                      | 455            | 100            | 235                            | 1         | 15000                       | 2500              |
| CVQ 230 K 7  | 230              | 300             | 360                      | 595            | 10             | 35                             | 0.25      | 1750                        | 190               |
| CVQ 230 K 10 | 230              | 300             | 360                      | 595            | 25             | 71                             | 0.4       | 3500                        | 350               |
| CVQ 230 K 14 | 230              | 300             | 360                      | 595            | 50             | 143                            | 0.6       | 6000                        | 620               |
| CVQ 230 K 20 | 230              | 300             | 360                      | 595            | 100            | 280                            | 1         | 12000                       | 1100              |
| CVQ 230 K 23 | 230              | 300             | 360                      | 595            | 100            | 313                            | 1         | 15000                       | 2200              |
| CVQ 250 K 7  | 250              | 320             | 390                      | 650            | 10             | 38                             | 0.25      | 1750                        | 180               |
| CVQ 250 K 10 | 250              | 320             | 390                      | 650            | 25             | 77                             | 0.4       | 3500                        | 320               |
| CVQ 250 K 14 | 250              | 320             | 390                      | 650            | 50             | 154                            | 0.6       | 6000                        | 580               |
| CVQ 250 K 20 | 250              | 320             | 390                      | 650            | 100            | 300                            | 1         | 12000                       | 1000              |

Continued on Next Page

Specifications are subject to change without notice.

Users should verify actual device performance in their specific applications.

The products described herein and this document are subject to specific legal disclaimers as set forth on the last page of this document, and at [www.bourns.com/docs/legal/disclaimer.pdf](http://www.bourns.com/docs/legal/disclaimer.pdf).

# CVQ Series – Extended Medium Voltage Disc Varistors



## Device Ratings (Continued)

| Model        | V <sub>rms</sub> | V <sub>dc</sub> | V <sub>n</sub><br>@ 1 mA | V <sub>c</sub> | I <sub>c</sub> | W <sub>max</sub><br>10/1000 μs | P<br>max. | I <sub>max</sub><br>8/20 μs | C Typ.<br>@ 1 kHz |
|--------------|------------------|-----------------|--------------------------|----------------|----------------|--------------------------------|-----------|-----------------------------|-------------------|
|              | V                | V               | V                        | V              | A              | J                              | W         | A                           | pF                |
| CVQ 250 K 23 | 250              | 320             | 390                      | 650            | 100            | 336                            | 1         | 15000                       | 1900              |
| CVQ 275 K 7  | 275              | 350             | 430                      | 710            | 10             | 44                             | 0.25      | 1750                        | 160               |
| CVQ 275 K 10 | 275              | 350             | 430                      | 710            | 25             | 88                             | 0.4       | 3500                        | 300               |
| CVQ 275 K 14 | 275              | 350             | 430                      | 710            | 50             | 170                            | 0.6       | 6000                        | 530               |
| CVQ 275 K 20 | 275              | 350             | 430                      | 710            | 100            | 330                            | 1         | 12000                       | 900               |
| CVQ 275 K 23 | 275              | 350             | 430                      | 710            | 100            | 370                            | 1         | 15000                       | 1600              |
| CVQ 300 K 7  | 300              | 385             | 470                      | 775            | 10             | 46                             | 0.25      | 1750                        | 150               |
| CVQ 300 K 10 | 300              | 385             | 470                      | 775            | 25             | 93                             | 0.4       | 3500                        | 280               |
| CVQ 300 K 14 | 300              | 385             | 470                      | 775            | 50             | 192                            | 0.6       | 6000                        | 490               |
| CVQ 300 K 20 | 300              | 385             | 470                      | 775            | 100            | 380                            | 1         | 12000                       | 850               |
| CVQ 300 K 23 | 300              | 385             | 470                      | 775            | 100            | 426                            | 1         | 15000                       | 1300              |
| CVQ 320 K 10 | 320              | 420             | 510                      | 840            | 25             | 104                            | 0.4       | 3500                        | 260               |
| CVQ 320 K 14 | 320              | 420             | 510                      | 840            | 50             | 209                            | 0.6       | 6000                        | 460               |
| CVQ 320 K 20 | 320              | 420             | 510                      | 840            | 100            | 420                            | 1         | 12000                       | 800               |
| CVQ 320 K 23 | 320              | 420             | 510                      | 840            | 100            | 470                            | 1         | 15000                       | 1100              |
| CVQ 385 K 10 | 385              | 505             | 620                      | 1025           | 25             | 106                            | 0.4       | 3500                        | 230               |
| CVQ 385 K 14 | 385              | 505             | 620                      | 1025           | 50             | 219                            | 0.6       | 6000                        | 390               |
| CVQ 385 K 20 | 385              | 505             | 620                      | 1025           | 100            | 430                            | 1         | 12000                       | 650               |
| CVQ 385 K 23 | 385              | 505             | 620                      | 1025           | 100            | 480                            | 1         | 15000                       | 1000              |
| CVQ 420 K 10 | 420              | 560             | 680                      | 1120           | 25             | 110                            | 0.4       | 3500                        | 210               |
| CVQ 420 K 14 | 420              | 560             | 680                      | 1120           | 50             | 230                            | 0.6       | 6000                        | 370               |
| CVQ 420 K 20 | 420              | 560             | 680                      | 1120           | 100            | 460                            | 1         | 12000                       | 620               |
| CVQ 420 K 23 | 420              | 560             | 680                      | 1120           | 100            | 515                            | 1         | 15000                       | 950               |
| CVQ 460 K 10 | 460              | 615             | 750                      | 1240           | 25             | 120                            | 0.4       | 3500                        | 200               |
| CVQ 460 K 14 | 460              | 615             | 750                      | 1240           | 50             | 250                            | 0.6       | 6000                        | 340               |
| CVQ 460 K 20 | 460              | 615             | 750                      | 1240           | 100            | 500                            | 1         | 12000                       | 560               |
| CVQ 460 K 23 | 460              | 615             | 750                      | 1240           | 100            | 560                            | 1         | 15000                       | 900               |
| CVQ 510 K 10 | 510              | 670             | 820                      | 1355           | 25             | 131                            | 0.4       | 3500                        | 180               |
| CVQ 510 K 14 | 510              | 670             | 820                      | 1355           | 50             | 258                            | 0.6       | 6000                        | 310               |
| CVQ 510 K 20 | 510              | 670             | 820                      | 1355           | 100            | 520                            | 1         | 12000                       | 510               |
| CVQ 510 K 23 | 510              | 670             | 820                      | 1355           | 100            | 582                            | 1         | 15000                       | 650               |
| CVQ 550 K 10 | 550              | 745             | 910                      | 1500           | 25             | 153                            | 0.4       | 3500                        | 170               |
| CVQ 550 K 14 | 550              | 745             | 910                      | 1500           | 50             | 300                            | 0.6       | 6000                        | 290               |
| CVQ 550 K 20 | 550              | 745             | 910                      | 1500           | 100            | 560                            | 1         | 12000                       | 480               |
| CVQ 550 K 23 | 550              | 745             | 910                      | 1500           | 100            | 627                            | 1         | 15000                       | 800               |

Specifications are subject to change without notice.

Users should verify actual device performance in their specific applications.

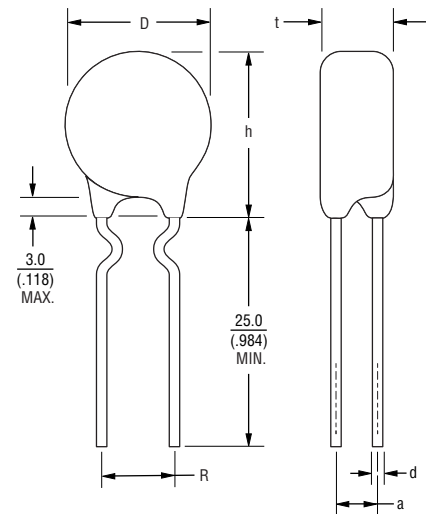
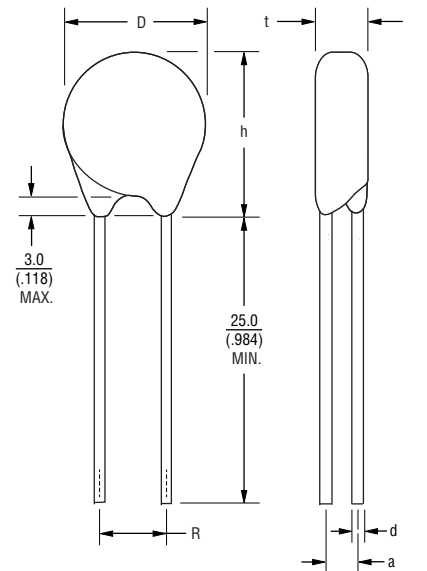
The products described herein and this document are subject to specific legal disclaimers as set forth on the last page of this document, and at [www.bourns.com/docs/legal/disclaimer.pdf](http://www.bourns.com/docs/legal/disclaimer.pdf).

# CVQ Series – Extended Medium Voltage Disc Varistors

**BOURNS®**

## Product Dimensions

| Model        | Dimension      |               |               |               |                |               |
|--------------|----------------|---------------|---------------|---------------|----------------|---------------|
|              | D (Max.)       | t (Max.)      | R             | d             | h (Max.)       | a             |
| CVQ 60 K 7   | 9<br>(.354)    | 3.5<br>(.138) | 5<br>(.197)   | 0.6<br>(.024) | 11.5<br>(.453) | 1.1<br>(.043) |
| CVQ 60 K 10  | 12.5<br>(.492) | 4.1<br>(.161) | 7.5<br>(.295) | 0.8<br>(.031) | 15<br>(.591)   | 1.4<br>(.055) |
| CVQ 60 K 14  | 16.5<br>(.650) | 4.2<br>(.165) | 7.5<br>(.295) | 0.8<br>(.031) | 20<br>(.787)   | 1.5<br>(.059) |
| CVQ 60 K 20  | 22.5<br>(.886) | 4.6<br>(.186) | 10<br>(.394)  | 1.0<br>(.039) | 26<br>(1.024)  | 1.7<br>(.067) |
| CVQ 75 K 7   | 9<br>(.354)    | 3.6<br>(.142) | 5<br>(.197)   | 0.6<br>(.024) | 11.5<br>(.453) | 1.2<br>(.047) |
| CVQ 75 K 10  | 12.5<br>(.492) | 4.2<br>(.165) | 7.5<br>(.295) | 0.8<br>(.031) | 15<br>(.591)   | 1.5<br>(.059) |
| CVQ 75 K 14  | 16.5<br>(.650) | 4.2<br>(.165) | 7.5<br>(.295) | 0.8<br>(.031) | 20<br>(.787)   | 1.5<br>(.059) |
| CVQ 75 K 20  | 22.5<br>(.886) | 4.6<br>(.186) | 10<br>(.394)  | 1.0<br>(.039) | 26<br>(1.024)  | 1.7<br>(.067) |
| CVQ 95 K 7   | 9<br>(.354)    | 3.8<br>(.150) | 5<br>(.197)   | 0.6<br>(.024) | 11.5<br>(.453) | 1.4<br>(.055) |
| CVQ 95 K 10  | 12<br>(.472)   | 4.3<br>(.169) | 7.5<br>(.295) | 0.8<br>(.031) | 15<br>(.591)   | 1.7<br>(.067) |
| CVQ 95 K 14  | 16<br>(.630)   | 4.3<br>(.169) | 7.5<br>(.295) | 0.8<br>(.031) | 20<br>(.787)   | 1.7<br>(.067) |
| CVQ 95 K 20  | 22.5<br>(.886) | 4.6<br>(.186) | 10<br>(.394)  | 1.0<br>(.039) | 26<br>(1.024)  | 1.9<br>(.075) |
| CVQ 115 K 7  | 9<br>(.354)    | 4.0<br>(.157) | 5<br>(.197)   | 0.6<br>(.024) | 11.5<br>(.453) | 1.6<br>(.063) |
| CVQ 115 K 10 | 12.5<br>(.492) | 4.3<br>(.169) | 7.5<br>(.295) | 0.8<br>(.031) | 15<br>(.591)   | 1.9<br>(.075) |
| CVQ 115 K 14 | 16.5<br>(.650) | 4.4<br>(.173) | 7.5<br>(.295) | 0.8<br>(.031) | 20<br>(.787)   | 1.9<br>(.075) |
| CVQ 115 K 20 | 22.5<br>(.886) | 4.8<br>(.189) | 10<br>(.394)  | 1.0<br>(.039) | 26<br>(1.024)  | 2.1<br>(.083) |
| CVQ 130 K 7  | 9<br>(.354)    | 4.0<br>(.157) | 5<br>(.197)   | 0.6<br>(.024) | 11.5<br>(.453) | 1.8<br>(.071) |
| CVQ 130 K 10 | 12.5<br>(.492) | 4.5<br>(.177) | 7.5<br>(.295) | 0.8<br>(.031) | 15<br>(.591)   | 2.0<br>(.079) |
| CVQ 130 K 14 | 16.5<br>(.650) | 4.6<br>(.181) | 7.5<br>(.295) | 0.8<br>(.031) | 20<br>(.787)   | 2.0<br>(.079) |
| CVQ 130 K 20 | 22.5<br>(.886) | 5.0<br>(.197) | 10<br>(.394)  | 1.0<br>(.039) | 26<br>(1.024)  | 2.2<br>(.087) |
| CVQ 130 K 23 | 25<br>(.984)   | 5.0<br>(.197) | 10<br>(.394)  | 1.0<br>(.039) | 27<br>(1.063)  | 2.2<br>(.087) |
| CVQ 140 K 7  | 9<br>(.354)    | 4.1<br>(.161) | 5<br>(.197)   | 0.6<br>(.024) | 11.5<br>(.453) | 1.9<br>(.075) |
| CVQ 140 K 10 | 12.5<br>(.492) | 4.6<br>(.181) | 7.5<br>(.295) | 0.8<br>(.031) | 15<br>(.591)   | 2.1<br>(.083) |
| CVQ 140 K 14 | 16.5<br>(.650) | 4.7<br>(.185) | 7.5<br>(.295) | 0.8<br>(.031) | 20<br>(.787)   | 2.1<br>(.083) |
| CVQ 140 K 20 | 22.5<br>(.886) | 5.1<br>(.201) | 10<br>(.394)  | 1.0<br>(.039) | 26<br>(1.024)  | 2.3<br>(.091) |
| CVQ 140 K 23 | 25<br>(.984)   | 5.1<br>(.201) | 10<br>(.394)  | 1.0<br>(.039) | 27<br>(1.063)  | 2.3<br>(.091) |
| CVQ 150 K 7  | 9<br>(.354)    | 4.3<br>(.169) | 5<br>(.197)   | 0.6<br>(.024) | 11.5<br>(.453) | 2.0<br>(.079) |
| CVQ 150 K 10 | 12.5<br>(.492) | 4.6<br>(.181) | 7.5<br>(.295) | 0.8<br>(.031) | 15<br>(.591)   | 2.2<br>(.087) |
| CVQ 150 K 14 | 16.5<br>(.650) | 4.8<br>(.189) | 7.5<br>(.295) | 0.8<br>(.031) | 20<br>(.787)   | 2.2<br>(.087) |
| CVQ 150 K 20 | 22.5<br>(.886) | 5.2<br>(.205) | 10<br>(.394)  | 1.0<br>(.039) | 26<br>(1.024)  | 2.4<br>(.094) |



DIMENSIONS:  $\frac{\text{MM}}{\text{(INCHES)}}$

Specifications are subject to change without notice.

Users should verify actual device performance in their specific applications.

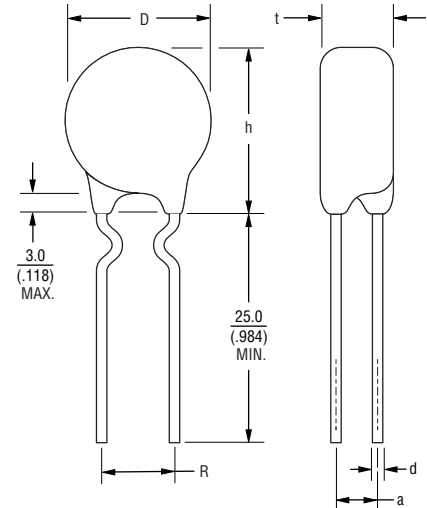
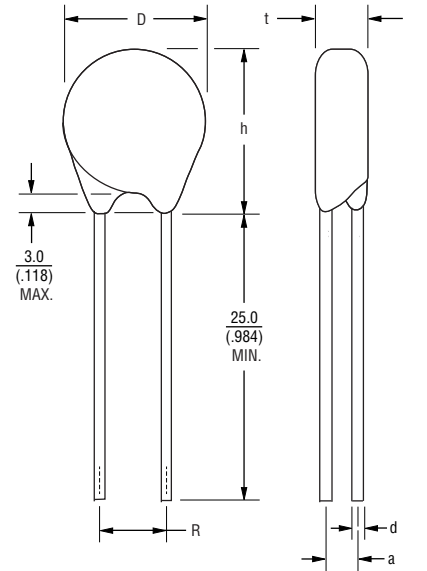
The products described herein and this document are subject to specific legal disclaimers as set forth on the last page of this document, and at [www.bourns.com/docs/legal/disclaimer.pdf](http://www.bourns.com/docs/legal/disclaimer.pdf).

# CVQ Series – Extended Medium Voltage Disc Varistors

**BOURNS®**

## Product Dimensions (Continued)

| Model        | Dimension      |               |               |               |                |               |
|--------------|----------------|---------------|---------------|---------------|----------------|---------------|
|              | D (Max.)       | t (Max.)      | R             | d             | h (Max.)       | a             |
| CVQ 150 K 23 | 25<br>(.984)   | 5.2<br>(.205) | 10<br>(.394)  | 1.0<br>(.039) | 27<br>(1.063)  | 2.4<br>(.094) |
| CVQ 175 K 7  | 9<br>(.354)    | 4.8<br>(.189) | 5<br>(.197)   | 0.6<br>(.024) | 11.5<br>(.453) | 2.1<br>(.083) |
| CVQ 175 K 10 | 12.5<br>(.492) | 4.9<br>(.193) | 7.5<br>(.295) | 0.8<br>(.031) | 15<br>(.591)   | 2.3<br>(.091) |
| CVQ 175 K 14 | 16.5<br>(.650) | 4.9<br>(.193) | 7.5<br>(.295) | 0.8<br>(.031) | 20<br>(.787)   | 2.3<br>(.091) |
| CVQ 175 K 20 | 22.5<br>(.886) | 5.3<br>(.209) | 10<br>(.394)  | 1.0<br>(.039) | 26<br>(1.024)  | 2.5<br>(.098) |
| CVQ 175 K 23 | 25<br>(.984)   | 5.3<br>(.209) | 10<br>(.394)  | 1.0<br>(.039) | 27<br>(1.063)  | 2.5<br>(.098) |
| CVQ 230 K 7  | 9<br>(.354)    | 4.8<br>(.189) | 5<br>(.197)   | 0.6<br>(.024) | 11.5<br>(.453) | 2.6<br>(.102) |
| CVQ 230 K 10 | 12.5<br>(.492) | 5.4<br>(.213) | 7.5<br>(.295) | 0.8<br>(.031) | 15<br>(.591)   | 2.8<br>(.110) |
| CVQ 230 K 14 | 16.5<br>(.650) | 5.5<br>(.217) | 7.5<br>(.295) | 0.8<br>(.031) | 20<br>(.787)   | 2.8<br>(.110) |
| CVQ 230 K 20 | 22.5<br>(.886) | 5.9<br>(.232) | 10<br>(.394)  | 1.0<br>(.039) | 26<br>(1.024)  | 3.0<br>(.118) |
| CVQ 230 K 23 | 25<br>(.984)   | 5.9<br>(.232) | 10<br>(.394)  | 1.0<br>(.039) | 27<br>(1.063)  | 3.0<br>(.118) |
| CVQ 250 K 7  | 9<br>(.354)    | 5.0<br>(.197) | 5<br>(.197)   | 0.6<br>(.024) | 11.5<br>(.453) | 2.8<br>(.110) |
| CVQ 250 K 10 | 12.5<br>(.492) | 5.6<br>(.220) | 7.5<br>(.295) | 0.8<br>(.031) | 15<br>(.591)   | 3.0<br>(.118) |
| CVQ 250 K 14 | 16.5<br>(.650) | 5.7<br>(.224) | 7.5<br>(.295) | 0.8<br>(.031) | 20<br>(.787)   | 3.0<br>(.118) |
| CVQ 250 K 20 | 22.5<br>(.886) | 6.1<br>(.240) | 10<br>(.394)  | 1.0<br>(.039) | 26<br>(1.024)  | 3.2<br>(.126) |
| CVQ 250 K 23 | 25<br>(.984)   | 6.1<br>(.240) | 10<br>(.394)  | 1.0<br>(.039) | 27<br>(1.063)  | 3.2<br>(.126) |
| CVQ 275 K 7  | 9<br>(.354)    | 5.6<br>(.220) | 5<br>(.197)   | 0.6<br>(.024) | 11.5<br>(.453) | 3.0<br>(.118) |
| CVQ 275 K 10 | 12.5<br>(.492) | 5.8<br>(.228) | 7.5<br>(.295) | 0.8<br>(.031) | 15<br>(.591)   | 3.2<br>(.126) |
| CVQ 275 K 14 | 16.5<br>(.650) | 5.9<br>(.232) | 7.5<br>(.295) | 0.8<br>(.031) | 20<br>(.787)   | 3.2<br>(.126) |
| CVQ 275 K 20 | 22.5<br>(.886) | 6.3<br>(.248) | 10<br>(.394)  | 1.0<br>(.039) | 26<br>(1.024)  | 3.4<br>(.134) |
| CVQ 275 K 23 | 25<br>(.984)   | 6.3<br>(.248) | 10<br>(.394)  | 1.0<br>(.039) | 27<br>(1.063)  | 3.4<br>(.134) |
| CVQ 300 K 7  | 9<br>(.354)    | 5.8<br>(.228) | 5<br>(.197)   | 0.6<br>(.024) | 11.5<br>(.453) | 3.2<br>(.126) |
| CVQ 300 K 10 | 12.5<br>(.492) | 6.1<br>(.240) | 7.5<br>(.295) | 0.8<br>(.031) | 15<br>(.591)   | 3.4<br>(.134) |
| CVQ 300 K 14 | 16.5<br>(.650) | 6.1<br>(.240) | 7.5<br>(.295) | 0.8<br>(.031) | 20<br>(.787)   | 3.4<br>(.134) |
| CVQ 300 K 20 | 22.5<br>(.886) | 6.0<br>(.236) | 10<br>(.394)  | 1.0<br>(.039) | 27<br>(1.063)  | 3.6<br>(.142) |
| CVQ 300 K 23 | 25<br>(.984)   | 6.6<br>(.260) | 10<br>(.394)  | 1.0<br>(.039) | 29<br>(1.142)  | 3.6<br>(.142) |
| CVQ 320 K 10 | 12.5<br>(.492) | 5.9<br>(.232) | 7.5<br>(.295) | 0.8<br>(.031) | 16<br>(.630)   | 3.6<br>(.142) |
| CVQ 320 K 14 | 16.5<br>(.650) | 6.5<br>(.256) | 7.5<br>(.295) | 0.8<br>(.031) | 21<br>(.827)   | 3.6<br>(.142) |
| CVQ 320 K 20 | 22.5<br>(.886) | 6.8<br>(.268) | 10<br>(.394)  | 1.0<br>(.039) | 27<br>(1.063)  | 3.8<br>(.150) |
| CVQ 320 K 23 | 25<br>(.984)   | 6.8<br>(.268) | 10<br>(.394)  | 1.0<br>(.039) | 29<br>(1.142)  | 3.8<br>(.150) |



DIMENSIONS:  $\frac{\text{MM}}{\text{(INCHES)}}$

Specifications are subject to change without notice.

Users should verify actual device performance in their specific applications.

The products described herein and this document are subject to specific legal disclaimers as set forth on the last page of this document, and at [www.bourns.com/docs/legal/disclaimer.pdf](http://www.bourns.com/docs/legal/disclaimer.pdf).

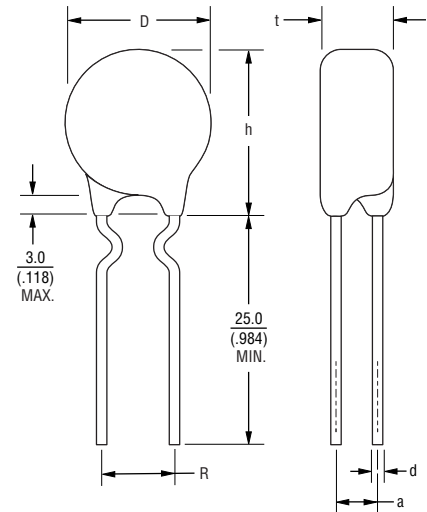
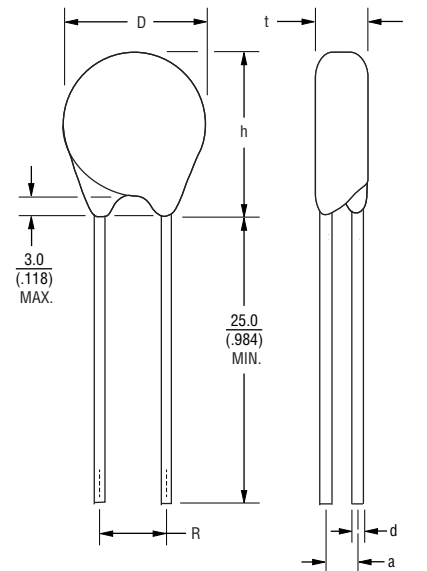
# CVQ Series – Extended Medium Voltage Disc Varistors

**BOURNS®**

## Product Dimensions (Continued)

| Model        | Dimension      |               |               |               |               |               |
|--------------|----------------|---------------|---------------|---------------|---------------|---------------|
|              | D (Max.)       | t (Max.)      | R             | d             | h (Max.)      | a             |
| CVQ 385 K 10 | 12.5<br>(.492) | 6.4<br>(.252) | 7.5<br>(.295) | 0.8<br>(.031) | 16<br>(.630)  | 4.2<br>(.165) |
| CVQ 385 K 14 | 16.5<br>(.650) | 6.9<br>(.272) | 7.5<br>(.295) | 0.8<br>(.031) | 21<br>(.827)  | 4.2<br>(.165) |
| CVQ 385 K 20 | 22.5<br>(.886) | 7.5<br>(.295) | 10<br>(.394)  | 1.0<br>(.039) | 27<br>(1.063) | 4.4<br>(.173) |
| CVQ 385 K 23 | 25<br>(.984)   | 7.5<br>(.295) | 10<br>(.394)  | 1.0<br>(.039) | 29<br>(1.142) | 4.4<br>(.173) |
| CVQ 420 K 10 | 12.5<br>(.492) | 7.3<br>(.287) | 7.5<br>(.295) | 0.8<br>(.031) | 16<br>(.630)  | 4.4<br>(.173) |
| CVQ 420 K 14 | 16.5<br>(.650) | 7.4<br>(.291) | 7.5<br>(.295) | 0.8<br>(.031) | 21<br>(.827)  | 4.4<br>(.173) |
| CVQ 420 K 20 | 22.5<br>(.886) | 7.8<br>(.307) | 10<br>(.394)  | 1.0<br>(.039) | 27<br>(1.063) | 4.6<br>(.181) |
| CVQ 420 K 23 | 25<br>(.984)   | 7.8<br>(.307) | 10<br>(.394)  | 1.0<br>(.039) | 29<br>(1.142) | 4.6<br>(.181) |
| CVQ 460 K 10 | 12.5<br>(.492) | 7.8<br>(.307) | 7.5<br>(.295) | 0.8<br>(.031) | 16<br>(.630)  | 4.8<br>(.189) |
| CVQ 460 K 14 | 16.5<br>(.650) | 7.8<br>(.307) | 7.5<br>(.295) | 0.8<br>(.031) | 21<br>(.827)  | 4.8<br>(.189) |
| CVQ 460 K 20 | 22.5<br>(.886) | 8.2<br>(.323) | 10<br>(.394)  | 1.0<br>(.039) | 27<br>(1.063) | 5.0<br>(.197) |
| CVQ 460 K 23 | 25<br>(.984)   | 8.2<br>(.323) | 10<br>(.394)  | 1.0<br>(.039) | 29<br>(1.142) | 5.0<br>(.197) |
| CVQ 510 K 10 | 12.5<br>(.492) | 8.2<br>(.323) | 7.5<br>(.295) | 0.8<br>(.031) | 16<br>(.630)  | 5.1<br>(.201) |
| CVQ 510 K 14 | 16.5<br>(.650) | 8.2<br>(.323) | 7.5<br>(.295) | 0.8<br>(.031) | 21<br>(.827)  | 5.1<br>(.201) |
| CVQ 510 K 20 | 22.5<br>(.886) | 8.7<br>(.343) | 10<br>(.394)  | 1.0<br>(.039) | 27<br>(1.063) | 5.3<br>(.209) |
| CVQ 510 K 23 | 25<br>(.984)   | 8.7<br>(.343) | 10<br>(.394)  | 1.0<br>(.039) | 29<br>(1.142) | 5.3<br>(.209) |
| CVQ 550 K 10 | 12.5<br>(.492) | 8.8<br>(.346) | 7.5<br>(.295) | 0.8<br>(.031) | 16<br>(.630)  | 5.6<br>(.220) |
| CVQ 550 K 14 | 16.5<br>(.650) | 8.8<br>(.346) | 7.5<br>(.295) | 0.8<br>(.031) | 21<br>(.827)  | 5.6<br>(.220) |
| CVQ 550 K 20 | 22.5<br>(.886) | 9.2<br>(.362) | 10<br>(.394)  | 1.0<br>(.039) | 27<br>(1.063) | 5.8<br>(.228) |
| CVQ 550 K 23 | 25<br>(.984)   | 9.2<br>(.362) | 10<br>(.394)  | 1.0<br>(.039) | 29<br>(1.142) | 5.8<br>(.228) |

DIMENSIONS:  $\frac{\text{MM}}{\text{(INCHES)}}$



Specifications are subject to change without notice.

Users should verify actual device performance in their specific applications.

The products described herein and this document are subject to specific legal disclaimers as set forth on the last page of this document, and at [www.bourns.com/docs/legal/disclaimer.pdf](http://www.bourns.com/docs/legal/disclaimer.pdf).

# CVQ Series – Extended Medium Voltage Disc Varistors



## How to Order

CVQ150K20RL1yy

Series Designator \_\_\_\_\_  
 CVQ = CVQ Series

Max. Continuous Operating Voltage ( $V_{rms}$ ) \_\_\_\_\_  
 $V_n$  Tolerance \_\_\_\_\_  
 K =  $\pm 10\%$

Model Size \_\_\_\_\_  
 7 = 7 mm      20 = 20 mm  
 10 = 10 mm    23 = 23 mm  
 14 = 14 mm

Packaging \_\_\_\_\_  
 R = Reel\*  
 B = Bulk  
 A = Ammo Pack (Available only upon special request)\*  
 \*Reel and Ammo Pack options not available for Model Sizes 20 and 23.

Lead Style \_\_\_\_\_  
 L1 = Straight Leads  
 L5 = Crimped Leads

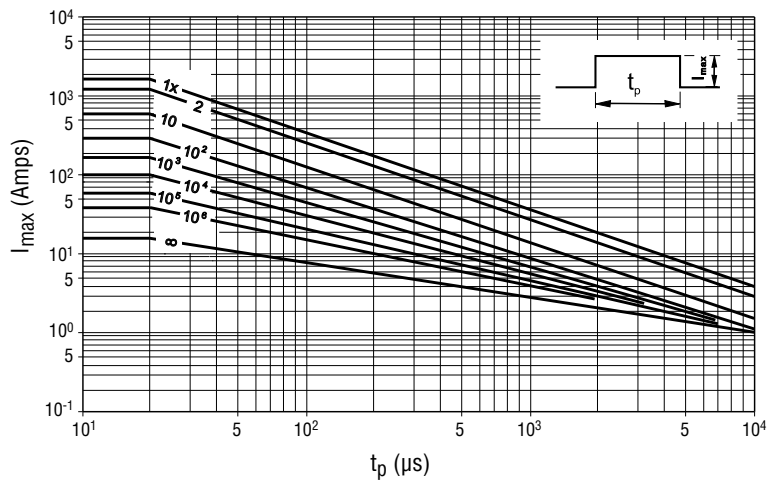
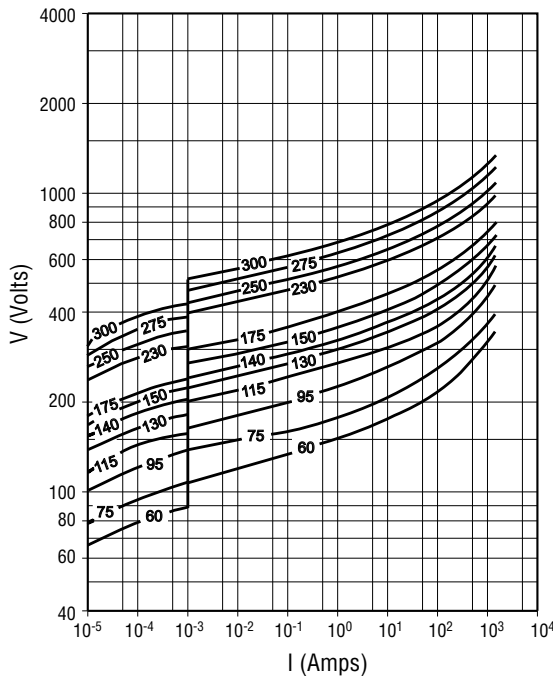
Special Parameters \_\_\_\_\_  
 yy = Unique two digit suffix is assigned to each customer requesting special parameters.  
 Please contact Bourns for more information.

## Instructions for Creating Orderable Part Number:

- 1) Start with base part number in characteristics table  
 (example: CVQ150K20).
- 2) Add Packaging: R  
 (example part number becomes CVQ150K20R).
- 3) Add Lead Style: L1  
 (example part number becomes CVQ150K20RL1).
- 4) Part number can have no spaces or lower case letters.

## Pulse Rating Curves - Protection level with worst-case condition in the tolerance region

### Model Size 7 - (CVQ 60 ~ CVQ 300)



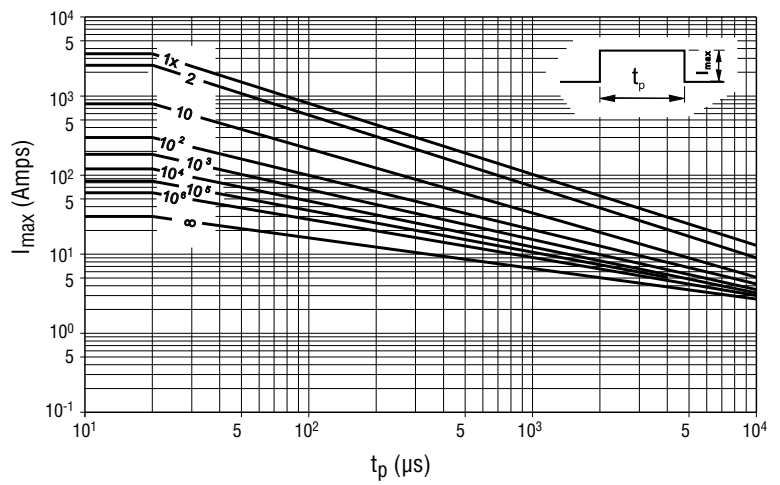
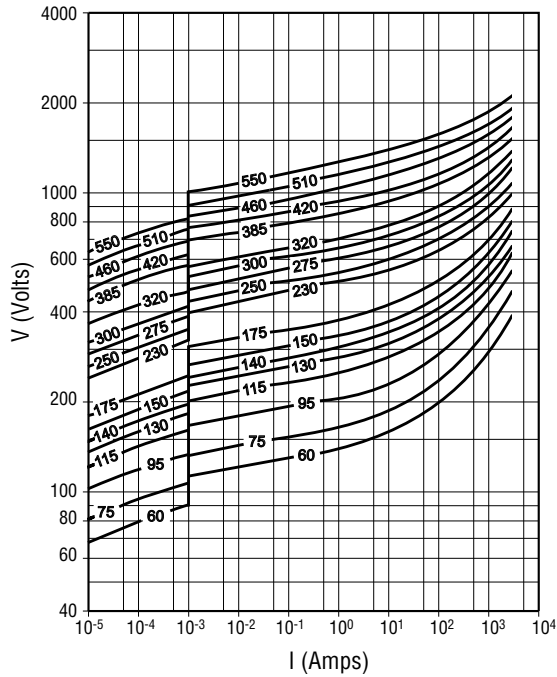
Specifications are subject to change without notice.  
 Users should verify actual device performance in their specific applications.  
 The products described herein and this document are subject to specific legal disclaimers as set forth on the last page of this document, and at [www.bourns.com/docs/legal/disclaimer.pdf](http://www.bourns.com/docs/legal/disclaimer.pdf).

# CVQ Series – Extended Medium Voltage Disc Varistors

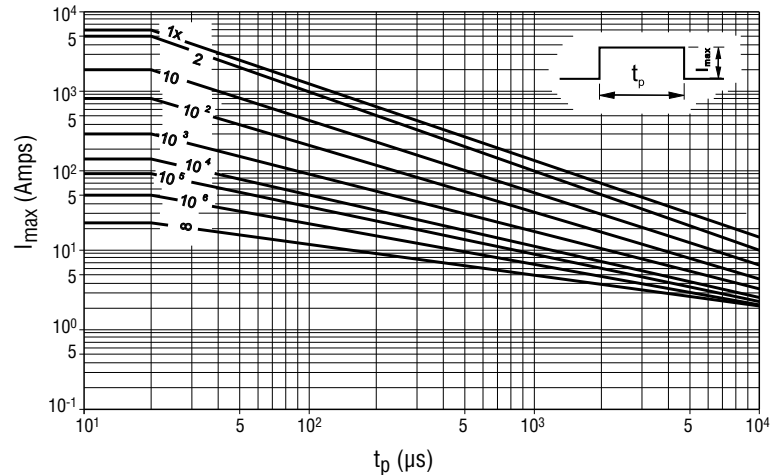
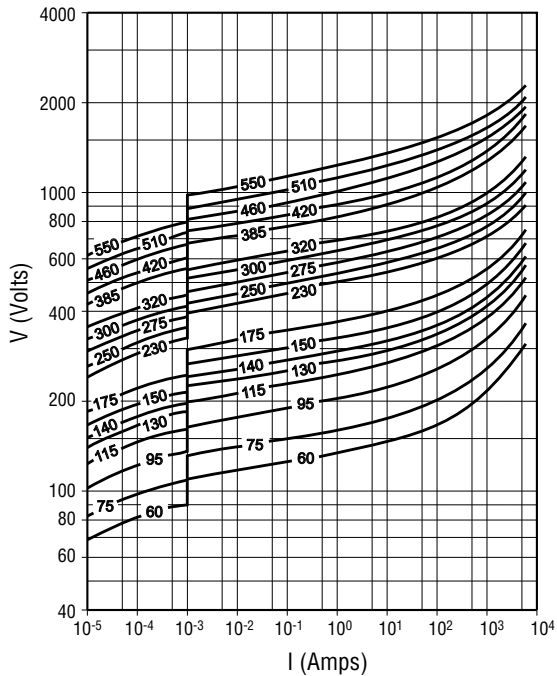
**BOURNS®**

**Pulse Rating Curves (Continued)** - Protection level with worst-case condition in the tolerance region

## Model Size 10 - (CVQ 60 ~ CVQ 550)



## Model Size 14 - (CVQ 60 ~ CVQ 550)



Specifications are subject to change without notice.

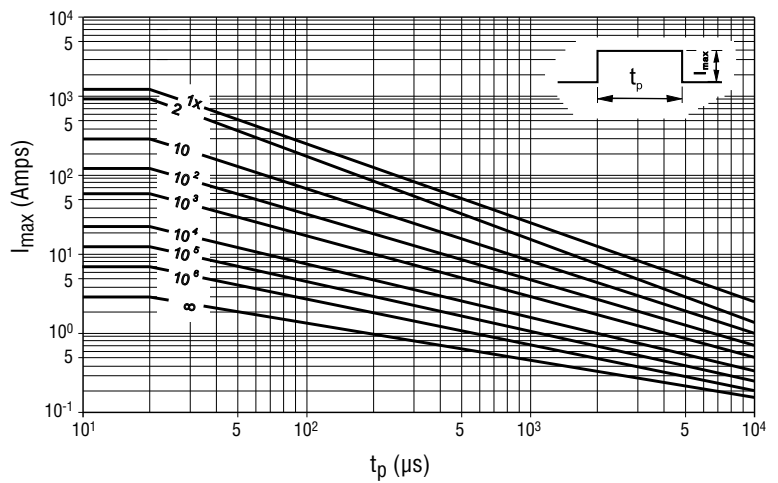
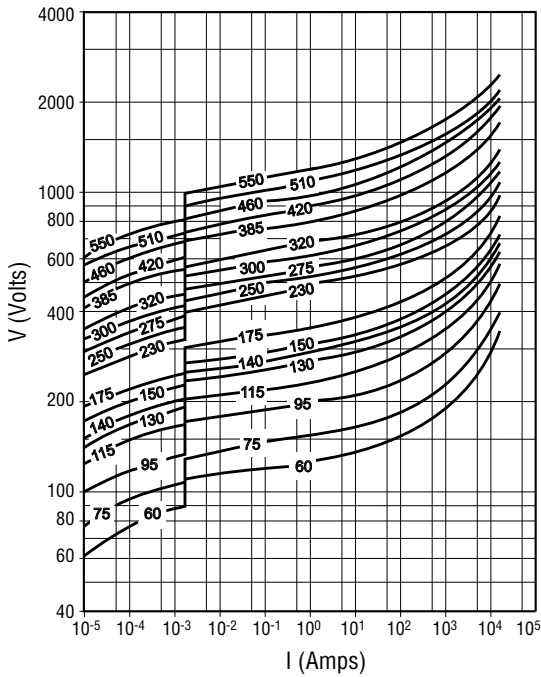
Users should verify actual device performance in their specific applications.

The products described herein and this document are subject to specific legal disclaimers as set forth on the last page of this document, and at [www.bourns.com/docs/legal/disclaimer.pdf](http://www.bourns.com/docs/legal/disclaimer.pdf).

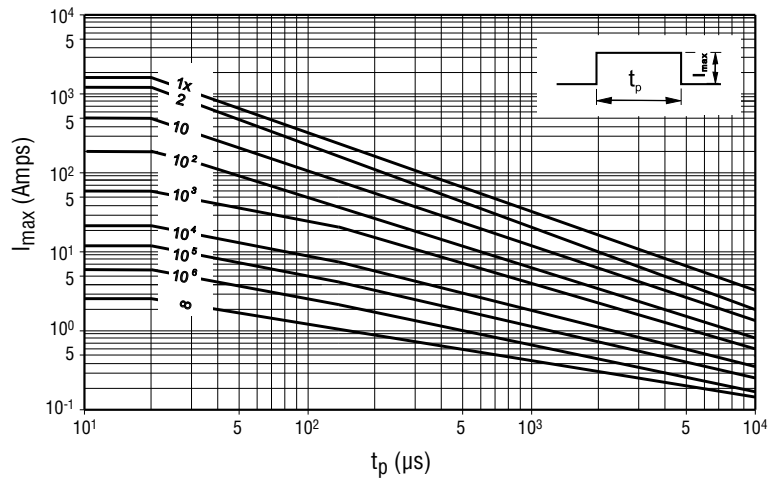
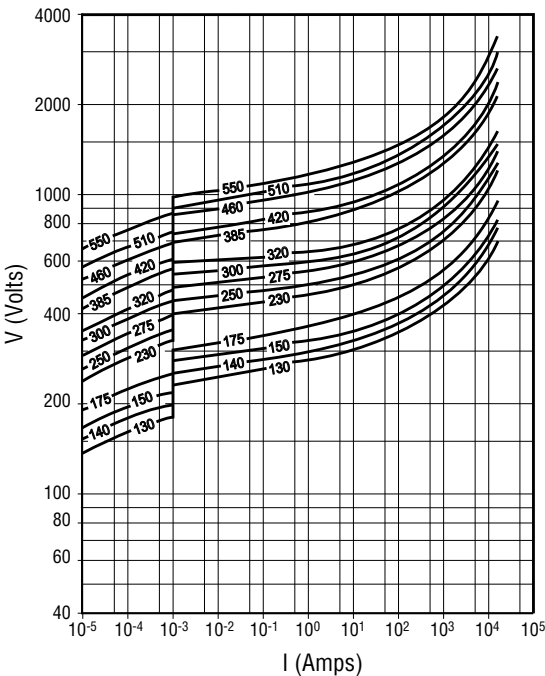


## Pulse Rating Curves (Continued) - Protection level with worst-case condition in the tolerance region

### Model Size 20 - (CVQ 60 ~ CVQ 550)



### Model Size 23 - (CVQ 60 ~ CVQ 550)



Specifications are subject to change without notice.

Users should verify actual device performance in their specific applications.

The products described herein and this document are subject to specific legal disclaimers as set forth on the last page of this document, and at [www.bourns.com/docs/legal/disclaimer.pdf](http://www.bourns.com/docs/legal/disclaimer.pdf).

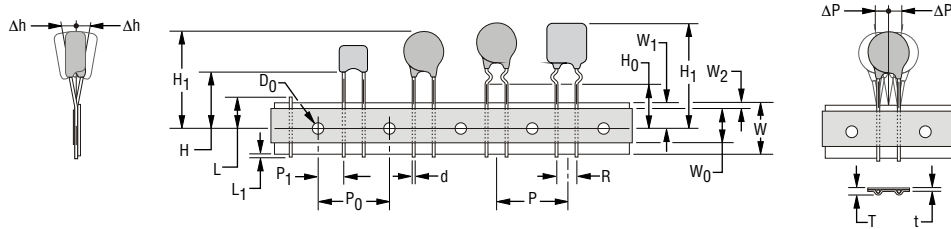
# CVQ Series – Extended Medium Voltage Disc Varistors

**BOURNS®**

## Packaging Specifications - Tape

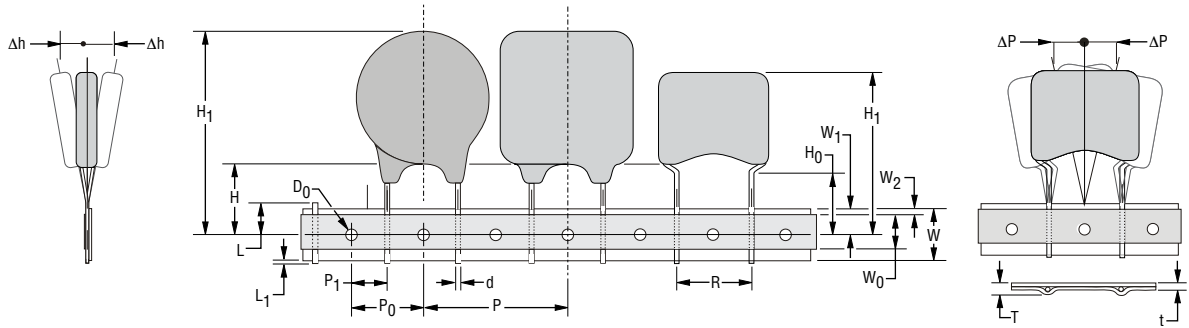
Conforms to IES Publication 286-2 Ed. 3: 2008-03

### Dimension R = 5 mm



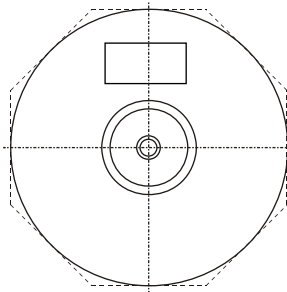
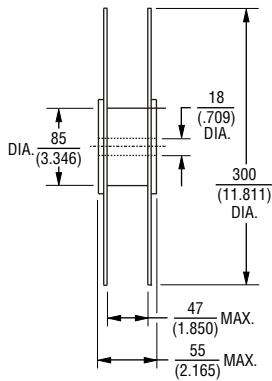
Dimensions on Next Page

### Dimension R = 7.5 mm & 10 mm



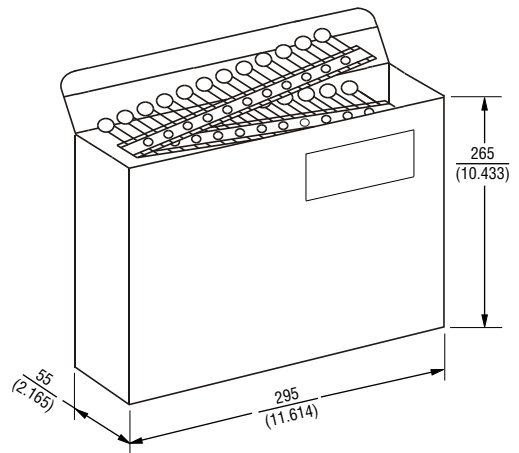
Dimensions on Next Page

### Reel



DIMENSIONS:  $\frac{\text{MM}}{\text{(INCHES)}}$

### Ammo Pack (Available upon Special Request)



Specifications are subject to change without notice.

Users should verify actual device performance in their specific applications.

The products described herein and this document are subject to specific legal disclaimers as set forth on the last page of this document, and at [www.bourns.com/docs/legal/disclaimer.pdf](http://www.bourns.com/docs/legal/disclaimer.pdf).

# CVQ Series – Extended Medium Voltage Disc Varistors

# BOURNS®

## Packaging Specifications - Tape (Continued)

| Symbol         | Parameter   | Model Size                                   |   |  |    |    |
|----------------|---|--|---|--|----|----|
|                |   | 7  | 10  | 14   | 20 | 23 |
| W              | Carrier tape width  | $\frac{18 + 1.0/-0.5}{(.709 + .039/- .020)}$ |   |  |    |    |
| W <sub>0</sub> | Hold down tape width  | $\frac{5}{(.197)}$ MIN.                      |   |  |    |    |
| W <sub>1</sub> | Sprocket hole position  | $\frac{9 + 0.75/-0.5}{(.354 + .030/- .020)}$ |   |  |    |    |
| W <sub>2</sub> | Distance between the upper edges of the carrier tape and hold down tape | $\frac{3}{(.118)}$ MAX.                      |   |  |    |    |
| T              | Total tape thickness  | $\frac{1.5}{(.059)}$ MAX.                    | $\frac{1.7}{(.067)}$ MAX.                     | $\frac{1.9}{(.075)}$ MAX.                    |    |    |
| t              | Tape thickness  | $\frac{0.9}{(.035)}$ MAX.                    |   |  |    |    |
| P              | Pitch of component  | $\frac{12.7 \pm 1.0}{(.500 \pm .039)}$       |   | $\frac{25.4 \pm 1.0}{(1.000 \pm .039)}$      |    |    |
| P <sub>0</sub> | Feed hole pitch   | $\frac{12.7 \pm 0.3}{(.500 \pm .012)}$       |   |  |    |    |
| P <sub>1</sub> | Feed hole center to pitch   | $\frac{3.85 \pm 0.7}{(.152 \pm .028)}$       | $\frac{8.95 \pm 0.7}{(.352 \pm .028)}$        | $\frac{7.7 \pm 0.7}{(.303 \pm .028)}$        |    |    |
| R              | Lead spacing  | $\frac{5 + 0.5/-0.2}{(.197 + .020/- .008)}$  | $\frac{7.5 + 0.5/-0.2}{(.295 + .020/- .008)}$ | $\frac{10 + 0.5/-0.2}{(.394 + .020/- .008)}$ |    |    |
| ΔP             | Component alignment   | $\frac{\pm 1.3}{(\pm .051)}$ MAX.            |   |  |    |    |
| Δh             | Component alignment   | $\frac{\pm 2}{(\pm .079)}$ MAX.              |   |  |    |    |
| d              | Wire diameter   | $\frac{0.6}{(.024)}$ MAX.                    | $\frac{0.8}{(.031)}$ MAX.                     | $\frac{1}{(.039)}$ MAX.                      |    |    |
| D <sub>0</sub> | Feed hold diameter  | $\frac{4 \pm 0.2}{(.157 \pm .008)}$          |   |  |    |    |
| H              | Height from tape center to component base                               | $\frac{18 + 2.0/-0.0}{(.709 + .079/- .000)}$ |   |  |    |    |
| H <sub>0</sub> | Seating plane height  | $\frac{16 \pm 0.5}{(.630 \pm .020)}$         |   |  |    |    |
| H <sub>1</sub> | Component height  | $\frac{32.2}{(1.268)}$ MAX.                  | $\frac{46.5}{(1.831)}$ MAX.                   |  |    |    |
| L              | Protrusion - cut out  | $\frac{11}{(.433)}$ MAX.                     |   |  |    |    |
| L <sub>1</sub> | Protrusion - cut off  | $\frac{0.5}{(.020)}$ MAX.                    |   |  |    |    |

DIMENSIONS:  $\frac{\text{MM}}{(\text{INCHES})}$

Specifications are subject to change without notice.

Users should verify actual device performance in their specific applications.

The products described herein and this document are subject to specific legal disclaimers as set forth on the last page of this document, and at [www.bourns.com/docs/legal/disclaimer.pdf](http://www.bourns.com/docs/legal/disclaimer.pdf).

# CVQ Series – Extended Medium Voltage Disc Varistors



## Packaging Quantities - Bulk

| Voltage | Model Size |     |     |     |     |
|---------|------------|-----|-----|-----|-----|
|         | 7          | 10  | 14  | 20  | 23  |
| 60      | 1500       | 600 | 400 | 300 |     |
| 75      | 1500       | 600 | 400 | 300 |     |
| 95      | 1000       | 600 | 400 | 300 |     |
| 115     | 1000       | 500 | 400 | 300 |     |
| 130     | 1000       | 500 | 400 | 300 | 250 |
| 140     | 1000       | 500 | 400 | 300 | 250 |
| 150     | 1000       | 500 | 400 | 300 | 250 |
| 175     | 1000       | 500 | 400 | 300 | 250 |
| 230     | 1000       | 500 | 300 | 200 | 200 |
| 250     | 1000       | 500 | 300 | 200 | 200 |
| 275     | 1000       | 500 | 300 | 200 | 200 |
| 300     | 1000       | 500 | 300 | 200 | 200 |
| 320     |            | 500 | 300 | 200 | 200 |
| 385     |            | 400 | 300 | 200 | 200 |
| 420     |            | 400 | 300 | 200 | 150 |
| 460     |            | 400 | 300 | 200 | 150 |
| 510     |            | 400 | 300 | 200 | 150 |
| 550     |            | 400 | 300 | 200 | 150 |

## Packaging Quantities - Reel

| Voltage | Model Size |      |     |    |    |
|---------|------------|------|-----|----|----|
|         | 7          | 10   | 14  | 20 | 23 |
| 60      | 1500       | 1300 | 700 |    |    |
| 75      | 1500       | 1300 | 700 |    |    |
| 95      | 1000       | 1300 | 600 |    |    |
| 115     | 1000       | 1000 | 600 |    |    |
| 130     | 1000       | 1000 | 600 |    |    |
| 140     | 1000       | 1000 | 600 |    |    |
| 150     | 1000       | 1000 | 600 |    |    |
| 175     | 1000       | 1000 | 500 |    |    |
| 230     | 1000       | 1000 | 500 |    |    |
| 250     | 1000       | 800  | 400 |    |    |
| 275     | 1000       | 800  | 400 |    |    |
| 300     | 1000       | 800  | 400 |    |    |
| 320     |            | 800  | 400 |    |    |
| 385     |            | 700  | 400 |    |    |
| 420     |            | 700  | 300 |    |    |
| 460     |            | 600  | 300 |    |    |
| 510     |            | 600  | 300 |    |    |
| 550     |            | 600  | 300 |    |    |

Specifications are subject to change without notice.

Users should verify actual device performance in their specific applications.

The products described herein and this document are subject to specific legal disclaimers as set forth on the last page of this document, and at [www.bourns.com/docs/legal/disclaimer.pdf](http://www.bourns.com/docs/legal/disclaimer.pdf).



# CVQ Series – Extended Medium Voltage Disc Varistors



## Reliability Testing Procedures

Varistor test procedures comply with CECC 42200, IEC 1051-1/2 (and AEC-Q200, if applicable). Test results are available upon customer request. Special tests can be performed upon customer request.

| Reliability Parameter                        | Test                                 | Tested According to   | Condition to be Satisfied after Testing                    |
|--|--------------------------------------|---|--|
| <b>AC/DC Bias Reliability</b>                | AC/DC Life Test                      | CECC 42200, Test 4.20 or<br>IEC 1051-1, Test 4.20,<br>AEC-Q200 Test 8 - 1000 h at UCT   | $ \delta V_N (1 \text{ mA})  < 10 \%$                      |
| <b>Pulse Current Capability</b>              | $I_{\text{max}} 8/20 \mu\text{s}$    | CECC 42200, Test C 2.1 or<br>IEC 1051-1, Test 4.5<br>10 pulses in the same direction at<br>2 pulses per minute at maximum peak current for 10 pulses  | $ \delta V_N (1 \text{ mA})  < 10 \%$<br>no visible damage |
| <b>Pulse Energy Capability</b>               | $W_{\text{max}} 10/1000 \mu\text{s}$ | CECC 42200, Test C 2.1 or<br>IEC 1051-1, Test 4.5<br>10 pulses in the same direction at<br>1 pulse every 2 minutes at maximum peak current for 10 pulses  | $ \delta V_N (1 \text{ mA})  < 10 \%$<br>no visible damage |
| <b>WLD Capability</b>                        | WLD x 10                             | ISO 7637, Test pulse 5, 10 pulses at rate of 1 per minute   | $ \delta V_N (1 \text{ mA})  < 15 \%$<br>no visible damage |
| <b>V<sub>jump</sub> Capability</b>           | $V_{\text{jump}} 5 \text{ min.}$     | Increase of supply voltage to $V \geq V_{\text{jump}}$ for 1 minute   | $ \delta V_N (1 \text{ mA})  < 15 \%$<br>no visible damage |
| <b>Environmental and Storage Reliability</b> | Climatic Sequence                    | CECC 42200, Test 4.16 or<br>IEC 1051-1, Test 4.17<br>a) Dry heat, 16h, UCT, Test Ba, IEC 68-2-2<br>b) Damp heat, cyclic, the first cycle: 55 °C, 93 % RH, 24 h, Test Db 68-2-4<br>c) Cold, LCT, 2 h, Test Aa, IEC 68-2-1<br>d) Damp heat cyclic, remaining 5 cycles: 55 °C, 93 % RH, 24 h/cycle, Test Bd, IEC 68-2-30 | $ \delta V_N (1 \text{ mA})  < 10 \%$                      |
|  | Thermal Shock                        | CECC 42200, Test 4.12, Test Na, IEC 68-2-14,<br>AEC-Q200 Test 16, 5   | $ \delta V_N (1 \text{ mA})  < 10 \%$<br>no visible damage |
|  | Steady State Damp Heat               | CECC 42200, Test 4.17, Test Ca, IEC 68-2-3,<br>AEC-Q200 Test 6, 56 days, 40 °C, 93 % RH,<br>AEC-Q200 Test 7: Bias, Rh, T all at 85.   | $ \delta V_N (1 \text{ mA})  < 10 \%$                      |
|  | Storage Test                         | IEC 68-2-2, Test Ba, AEC-Q200 Test 3, 1000 h at maximum storage temperature   | $ \delta V_N (1 \text{ mA})  < 5 \%$                       |

Continued on Next Page

Specifications are subject to change without notice.

Users should verify actual device performance in their specific applications.

The products described herein and this document are subject to specific legal disclaimers as set forth on the last page of this document, and at [www.bourns.com/docs/legal/disclaimer.pdf](http://www.bourns.com/docs/legal/disclaimer.pdf).

## Reliability Testing Procedures (Continued)

| Reliability Parameter                  | Test                         | Tested According to   | Condition to be Satisfied after Testing   |
|--|------------------------------|---|---|
| <b>Mechanical Reliability</b>          | Solderability                | CECC 42200, Test 4.10.1, Test Ta, IEC 68-2-20 solder bath and reflow method   | Solderable at shipment and after 2 years of storage, criteria: >95% must be covered by solder for reflow meniscus |
|  | Resistance to Soldering Heat | CECC 42200, Test 4.10.2, Test Tb, IEC 68-2-20 solder bath and reflow method   | $ ΔV_n (1 mA)  < 5 %$   |
|  | Terminal Strength            | JIS-C-6429, App. 1, 18N for 60 sec. - same for AEC-Q200 Test 22   | No visual damage  |
|  | Board Flex                   | JIS-C-6429, App. 2, 2 mm min.<br>AEC-Q200 test 21 - Board flex: 2 mm flex min.  | $ ΔV_n (1 mA)  < 2 %$<br>No visible damage  |
|  | Vibration                    | CECC 42200, Test 4.15, Test Fc, IEC 68-2-6, AEC-Q200 Test 14<br>Frequency range 10 to 55 Hz (AEC: 10-2000 Hz)<br>Amplitude 0.75 m/s <sup>2</sup> or 98 m/s <sup>2</sup> (AEC: 5 g for 20 minutes) Total duration 6 h (3x2 h) (AEC: 12 cycles each of 3 directions)<br>Waveshape - half sine | $ ΔV_n (1 mA)  < 2 %$<br>No visible damage  |
|  | Mechanical Shock             | CECC 42200, Test 4.14, Test Ea, IEC 68-2-27, AEC-Q200 Test 13.<br>Acceleration = 490 m/s <sup>2</sup> (AEC: MIL-STD-202-Method 213),<br>Pulse duration = 11 ms,<br>Waveshape - half sine; Number of shocks = 3x6  | $ ΔV_n (1 mA)  < 10 %$<br>No visible damage   |
| <b>Electrical Transient Conduction</b> | ISO-7637-1 Pulses            | AEC-Q200 Test 30: Test pulses 1 to 3.<br>Also other pulses - freestyle.   | $ ΔV_n (1 mA)  < 10 %$<br>No visible damage   |

Specifications are subject to change without notice.

Users should verify actual device performance in their specific applications.

The products described herein and this document are subject to specific legal disclaimers as set forth on the last page of this document, and at [www.bourns.com/docs/legal/disclaimer.pdf](http://www.bourns.com/docs/legal/disclaimer.pdf).

# CVQ Series – Extended Medium Voltage Disc Varistors

**BOURNS®**

## Terminology

| Term                               | Symbol        | Definition  |
|------------------------------------|---------------|---|
| Rated AC Voltage .....             | $V_{rms}$     | Maximum continuous sinusoidal AC voltage (<5 % total harmonic distortion) which may be applied to the component under continuous operation conditions at +25 °C   |
| Rated DC Voltage.....              | $V_{dc}$      | Maximum continuous DC voltage (<5 % ripple) which may be applied to the component under continuous operating conditions at +25 °C   |
| Supply Voltage.....                | $V$           | The voltage by which the system is designated and to which certain operating characteristics of the system are referred; $V_{rms} = 1.1 \times V$   |
| Leakage Current.....               | $I_{dc}$      | The current passing through the varistor at $V_{dc}$ and at +25 ° or at any other specified temperature   |
| Varistor Voltage .....             | $V_n$         | Voltage across the varistor measured at a given reference current ( $I_n$ )   |
| Reference Current.....             | $I_n$         | Reference current = 1 mA DC   |
| Clamping Voltage .....             | $V_c$         | The peak voltage developed across the varistor under standard atmospheric conditions, when passing an 8/20 $\mu s$ class current pulse  |
| Protection Level                   |               |   |
| Class Current.....                 | $I_c$         | A peak value of current which is 1/10 of the maximum peak current for 100 pulses at two per minute for the 8/20 $\mu s$ pulse   |
| Voltage Clamping Ratio.....        | $V_c/V_{app}$ | A figure of merit measure of the varistor clamping effectiveness as defined by the symbols $V_c/V_{app}$ , where ( $V_{app} = V_{rms}$ or $V_{dc}$ )  |
| Jump Start Transient .....         | $V_{jump}$    | The jump start transient results from the temporary application of an overvoltage in excess of the rated battery voltage. The circuit power supply may be subjected to a temporary overvoltage condition due to the voltage regulation failing or it may be deliberately generated when it becomes necessary to boost start the car.  |
| Rated Single Pulse .....           | $W_{max}$     | Energy which may be dissipated for a single 10/1000 $\mu s$ pulse of a maximum rated current, with rated AC voltage or rated DC voltage also applied, without causing device failure  |
| Transient Energy                   |               |   |
| Load Dump Transient .....          | WLD           | Load Dump is a transient which occurs in automotive environments. It is an exponentially decaying positive voltage which occurs in the event of a battery disconnect while the alternator is still generating charging current with other loads remaining on the alternator circuit at the time of battery disconnect.  |
| Rated Peak Single Pulse.....       | $I_{max}$     | Maximum peak current which may be applied for a single 8/20 $\mu s$ pulse, with rated line voltage also applied, without causing device failure   |
| Transient Current                  |               |   |
| Rated Transient Average .....      | $P$           | Maximum average power which may be dissipated due to a group of pulses occurring within a specified isolated time period, without causing device failure at 25 °C   |
| Power Dissipation                  |               |   |
| Capacitance.....                   | $C$           | Capacitance between two terminals of the varistor measured @ 1 kHz  |
| Non-linearity Exponent .....       | $\alpha$      | A measure of varistor nonlinearity between two given operating currents, $I_n$ and $I_1$ as described by $I = k V \exp(a)$ , where: <ul style="list-style-type: none"> <li>- k is a device constant,</li> <li>- <math>I_1 &lt; I &lt; I_n</math> and</li> <li>- <math>a \log(I_1/I_n) / \log(V_1/V_n) = 1 / \log(V_1/V_n)</math>, where:</li> <li>- <math>I_r</math> is reference current (1 mA) and <math>V_n</math> is varistor voltage</li> <li>- <math>I_1 = 10 I_n</math>, <math>V_1</math> is the voltage measured at <math>I_1</math></li> </ul> |
| Response Time.....                 | $t_r$         | The time lag between application of a surge and varistor's "turn-on" conduction action  |
| Varistor Voltage Temperature ..... | TC            | $(V_n @ 85 °C - V_n @ 25 °C) / (V_n @ 25 °C) \times 60 °C \times 100$   |
| Coefficient                        |               |   |
| Insulation Resistance .....        | IR            | Minimum resistance between shorted terminals and varistor surface   |
| Isolation Voltage .....            |               | The maximum peak voltage which may be applied under continuous operating conditions between the varistor terminations and any conducting mounting surface   |
| Operating Temperature .....        |               | The range of ambient temperature for which the varistor is designed to operate continuously as defined by the temperature limits of its climatic category   |
| Climatic Category .....            | LCT/UCT/DHD   | LCT & UCT = Lower and Upper Category Temperature - the minimum and maximum ambient temperatures for which a varistor has been designed to operate continuously.<br>DHD = Dump Heat Test Duration  |
| Storage Temperature.....           |               | Storage temperature range without voltage applied   |
| Current/Energy Derating.....       |               | Derating of maximum values when operated above UCT  |

REV. F 05/21

Specifications are subject to change without notice.

Users should verify actual device performance in their specific applications.

The products described herein and this document are subject to specific legal disclaimers as set forth on the last page of this document, and at [www.bourns.com/docs/legal/disclaimer.pdf](http://www.bourns.com/docs/legal/disclaimer.pdf).



This legal disclaimer applies to purchasers and users of Bourns® products manufactured by or on behalf of Bourns, Inc. and its affiliates (collectively, “Bourns”).

Unless otherwise expressly indicated in writing, Bourns® products and data sheets relating thereto are subject to change without notice. Users should check for and obtain the latest relevant information and verify that such information is current and complete before placing orders for Bourns® products.

The characteristics and parameters of a Bourns® product set forth in its data sheet are based on laboratory conditions, and statements regarding the suitability of products for certain types of applications are based on Bourns’ knowledge of typical requirements in generic applications. The characteristics and parameters of a Bourns® product in a user application may vary from the data sheet characteristics and parameters due to (i) the combination of the Bourns® product with other components in the user’s application, or (ii) the environment of the user application itself. The characteristics and parameters of a Bourns® product also can and do vary in different applications and actual performance may vary over time. Users should always verify the actual performance of the Bourns® product in their specific devices and applications, and make their own independent judgments regarding the amount of additional test margin to design into their device or application to compensate for differences between laboratory and real world conditions.

Unless Bourns has explicitly designated an individual Bourns® product as meeting the requirements of a particular industry standard (e.g., ISO/TS 16949) or a particular qualification (e.g., UL listed or recognized), Bourns is not responsible for any failure of an individual Bourns® product to meet the requirements of such industry standard or particular qualification. Users of Bourns® products are responsible for ensuring compliance with safety-related requirements and standards applicable to their devices or applications.

Bourns® products are not recommended, authorized or intended for use in nuclear, lifesaving, life-critical or life-sustaining applications, nor in any other applications where failure or malfunction may result in personal injury, death, or severe property or environmental damage. Unless expressly and specifically approved in writing by two authorized Bourns representatives on a case-by-case basis, use of any Bourns® products in such unauthorized applications might not be safe and thus is at the user’s sole risk. Life-critical applications include devices identified by the U.S. Food and Drug Administration as Class III devices and generally equivalent classifications outside of the United States.

Bourns expressly identifies those Bourns® standard products that are suitable for use in automotive applications on such products’ data sheets in the section entitled “Applications.” Unless expressly and specifically approved in writing by two authorized Bourns representatives on a case-by-case basis, use of any other Bourns® standard products in an automotive application might not be safe and thus is not recommended, authorized or intended and is at the user’s sole risk. If Bourns expressly identifies a sub-category of automotive application in the data sheet for its standard products (such as infotainment or lighting), such identification means that Bourns has reviewed its standard product and has determined that if such Bourns® standard product is considered for potential use in automotive applications, it should only be used in such sub-category of automotive applications. Any reference to Bourns® standard product in the data sheet as compliant with the AEC-Q standard or “automotive grade” does not by itself mean that Bourns has approved such product for use in an automotive application.

Bourns® standard products are not tested to comply with United States Federal Aviation Administration standards generally or any other generally equivalent governmental organization standard applicable to products designed or manufactured for use in aircraft or space applications. Bourns expressly identifies Bourns® standard products that are suitable for use in aircraft or space applications on such products’ data sheets in the section entitled “Applications.” Unless expressly and specifically approved in writing by two authorized Bourns representatives on a case-by-case basis, use of any other Bourns® standard product in an aircraft or space application might not be safe and thus is not recommended, authorized or intended and is at the user’s sole risk.

The use and level of testing applicable to Bourns® custom products shall be negotiated on a case-by-case basis by Bourns and the user for which such Bourns® custom products are specially designed. Absent a written agreement between Bourns and the user regarding the use and level of such testing, the above provisions applicable to Bourns® standard products shall also apply to such Bourns® custom products.

Users shall not sell, transfer, export or re-export any Bourns® products or technology for use in activities which involve the design, development, production, use or stockpiling of nuclear, chemical or biological weapons or missiles, nor shall they use Bourns® products or technology in any facility which engages in activities relating to such devices. The foregoing restrictions apply to all uses and applications that violate national or international prohibitions, including embargos or international regulations. Further, Bourns® products and Bourns technology and technical data may not under any circumstance be exported or re-exported to countries subject to international sanctions or embargoes. Bourns® products may not, without prior authorization from Bourns and/or the U.S. Government, be resold, transferred, or re-exported to any party not eligible to receive U.S. commodities, software, and technical data.

To the maximum extent permitted by applicable law, Bourns disclaims (i) any and all liability for special, punitive, consequential, incidental or indirect damages or lost revenues or lost profits, and (ii) any and all implied warranties, including implied warranties of fitness for particular purpose, non-infringement and merchantability.

*For your convenience, copies of this Legal Disclaimer Notice with German, Spanish, Japanese, Traditional Chinese and Simplified Chinese bilingual versions are available at:*

*Web Page:* <http://www.bourns.com/legal/disclaimers-terms-and-policies>

*PDF:* <http://www.bourns.com/docs/Legal/disclaimer.pdf>

## X-ON Electronics

Largest Supplier of Electrical and Electronic Components

*Click to view similar products for [Varistors](#) category:*

*Click to view products by [Bourns](#) manufacturer:*

Other Similar products are found below :

[820443211E](#) [MOV05131AIA](#) [MOV07231AQA](#) [MOV18131CZA](#) [R71ZOV151HC](#) [D58ZOV500RA01T1](#) [B72205S271K111](#)  
[B72214S251K151](#) [B72232B131K1](#) [B72530E1140S272](#) [B72540E250K62](#) [B72660M0271K093](#) [NTE1V020](#) [NTE1V130](#) [NTE2V010](#)  
[NTE2V130](#) [25FN511K](#) [S10K11G5S5](#) [ERZ-C14DK361U](#) [ERZ-C20DK221U](#) [ERZ-C32CK201B](#) [207869-1](#) [AS-13](#) [TMOV25SP625E](#)  
[TND10V-471KB00AAA0](#) [B72210S251K531](#) [B72214S200K551](#) [B72280B112K1](#) [B72280B381K1](#) [B72590D360A60](#) [B72650M301K93](#)  
[B72670M1140K72](#) [MOV07251ARA](#) [MOV10131EDA](#) [MOV10151EFA](#) [MOV14151CWA](#) [MOV20251DFA](#) [TVZ18EC271KBS](#)  
[TVZ20EB911KBS](#) [TVZ25D201KBS](#) [TVZ25D241KBS](#) [VDRH20X230BSE](#) [VZ07D220KBS](#) [VZ40D241K](#) [VZ25D511KBS-N](#)  
[VZ20E511KBSX](#) [VZ20E221KBSX](#) [VZ10D471KBS-N](#) [ERZ-V20R201](#) [ERZ-V20R221](#)