

HDMI® Port

HDMI 1.4 - ESD & Overcurrent Protection

Solution Products



CG0402MLU-05G



MF-FSMF020X-2

Objective

HDMI 1.4 is a hot-pluggable interface combining video, audio & Ethernet signals. Voltages are 5 V or lower and the bandwidth is 340 MHz. This solution provides HDMI 1.4 ports with protection against ESD and short circuits without impairing the transmission of power or data

Solution

- 9 ChipGuard® ESD Suppressors:
CG0402MLU-05G
- 1 Multifuse® PTC Resettable Fuse:
MF-FSMF020X-2

Compliance

IEC 61000-4-2 Level 4 (8 kV / 15 kV)

Alternate Recommendations

- Other PortNote® Solutions:*
- HDMI: HDMI 1.3 - ESD & Overcurrent Protection
- Other ChipGuard® Protectors:*
- CG0603MLU-05E, CG0402MLC-05LGA
CG0603MLC-05LEA

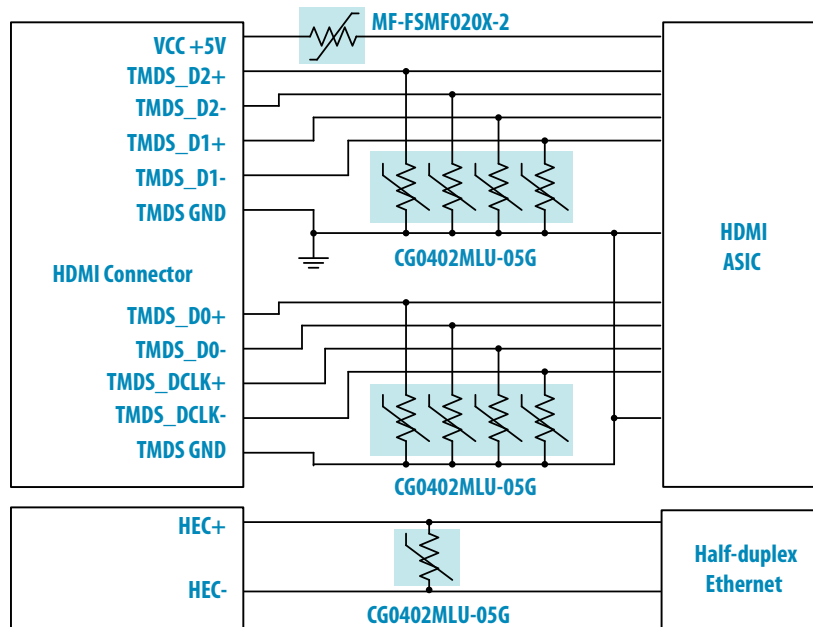
Benefit

This solution provides IEC 61000 Level 4 ESD protection without impairing the HDMI signal.

Design Kit



PN-DESIGNKIT-12



The schematic above illustrates the application protection and does not constitute the complete circuit design. Customers should verify actual device performance in their specific applications.

X-ON Electronics

Largest Supplier of Electrical and Electronic Components

Click to view similar products for [Circuit Protection Kits](#) category:

Click to view products by [Bourns](#) manufacturer:

Other Similar products are found below :

[96-501A](#) [STANDARD SAMPLE KIT](#) [4030-02](#) [02800.0-01](#) [MC-600](#) [4879275](#) [4879279](#) [4879315](#) [4879333](#) [4879338](#) [4879374](#) [4879626](#)
[GSK-260](#) [B72499A9999K199](#) [ORBOX006Z](#) [B57888S0888M888](#) [B72499I9999K199](#) [B72499S9999K199](#) [01610.0-01](#) [B57999V5999J199](#)
[STD sample kit](#) [DK-IsoMOV-04](#) [DK-IsoMOV-02](#) [DK-IsoMOV-03](#) [SF-KIT-AUTO-1](#) [SF-KIT-AUTO-2](#) [SF-KIT-HC-1](#) [SF-KIT-HV-1](#) [SF-](#)
[KIT-IEC-1](#) [8C4-B-B21](#) [MAI](#) [X1180-01-XT202-1A](#) [X1180-01-ST201-4A](#) [Kit-GG01](#) [00227064](#) [00599362](#) [00680300](#) [0FHZ00854-BX](#)
[502069705](#) [01602.0-00](#) [B74999T9999M099](#) [96-500A](#) [ZENER-KIT](#) [A-2130](#) [B57999V2999J199](#) [820999](#) [Mini sample kit](#) [MS sample kit](#)
[KITTVSDIODE1TOBO1](#) [4030-01](#)