

# Ethernet ESD Protection

## Solution Products



CDSOT236-0504C

## Companion Products



PT61020EL  
Quad Transformer

## Design Kit



PN-DESIGNKIT-1

## Objective

Ethernet interfaces are 2 V digital signals operating on a 125 MHz clock. This solution provides ESD protection commonly required in indoor, short-cable applications where ESD is the primary threat.

## Solution

2 TVS Diode Arrays: CDSOT236-0504C

## Compliance

IEC 61000-4-2 Level 4 (8 kV / 15 kV)

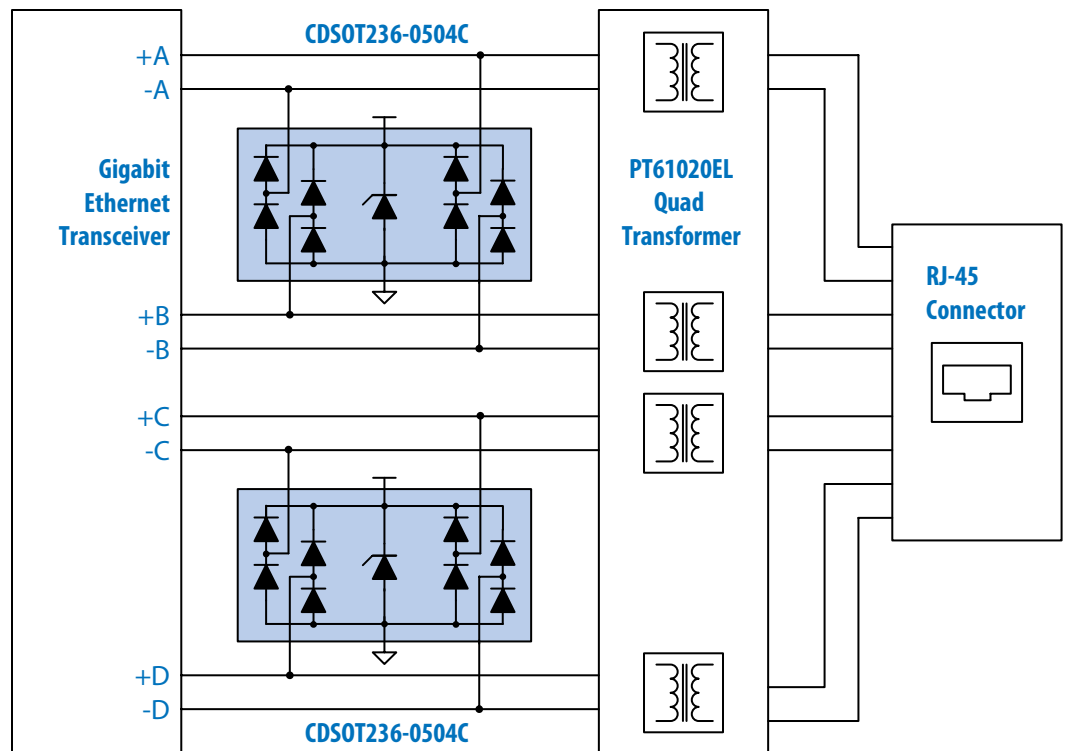
## Alternate Recommendations

*Other PortNote<sup>®</sup> solutions:*

- Ethernet - Power Contact and Surge Protection
- Ethernet - 10/100 Power over Ethernet (PoE)

## Benefit

This solution provides ESD protection without impairing the Ethernet signal.



*The schematic above illustrates the application protection and does not constitute the complete circuit design. Customers should verify actual device performance in their specific applications.*

## X-ON Electronics

Largest Supplier of Electrical and Electronic Components

*Click to view similar products for [Circuit Protection Kits](#) category:*

*Click to view products by [Bourns](#) manufacturer:*

Other Similar products are found below :

[96-501A](#) [STANDARD SAMPLE KIT](#) [4030-02](#) [02800.0-01](#) [MC-600](#) [4879275](#) [4879279](#) [4879315](#) [4879333](#) [4879338](#) [4879374](#) [4879626](#)  
[GSK-260](#) [B72499A9999K199](#) [ORBOX006Z](#) [B57888S0888M888](#) [B72499I9999K199](#) [B72499S9999K199](#) [01610.0-01](#) [B57999V5999J199](#)  
[STD sample kit](#) [DK-IsoMOV-04](#) [DK-IsoMOV-02](#) [DK-IsoMOV-03](#) [SF-KIT-AUTO-1](#) [SF-KIT-AUTO-2](#) [SF-KIT-HC-1](#) [SF-KIT-HV-1](#) [SF-](#)  
[KIT-IEC-1](#) [8C4-B-B21](#) [MAI](#) [X1180-01-XT202-1A](#) [X1180-01-ST201-4A](#) [Kit-GG01](#) [00227064](#) [00599362](#) [00680300](#) [0FHZ00854-BX](#)  
[502069705](#) [01602.0-00](#) [B74999T9999M099](#) [96-500A](#) [ZENER-KIT](#) [A-2130](#) [B57999V2999J199](#) [820999](#) [Mini sample kit](#) [MS sample kit](#)  
[KITTVSDIODE1TOBO1](#) [4030-01](#)