

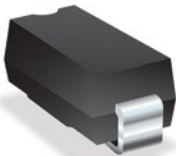
Solution Products



CDSOT236-0504C



CDNBS04-B08200



SMBJ58A



SM51108PEL

Design Kit



PN-DESIGNKIT-34

Objective

10/100 Base-T Power over Ethernet (PoE) interfaces combine data and 48 V DC to provide remote power to a Powered Device (PD). This solution provides ESD and overcurrent protection for the PD unit.

Solution

- 1 TVS Diode Array: CDSOT236-0504C
- 2 Bridge Rectifiers: CDNBS04-B08200
- 1 TVS Diode: SMBJ58A
- 1 Transformer: SM51108PEL

Compliance

- IEEE 802.3af and IEEE 802.11af
- IEC 61000-4-2 Level 4 (8 kV / 15 kV)

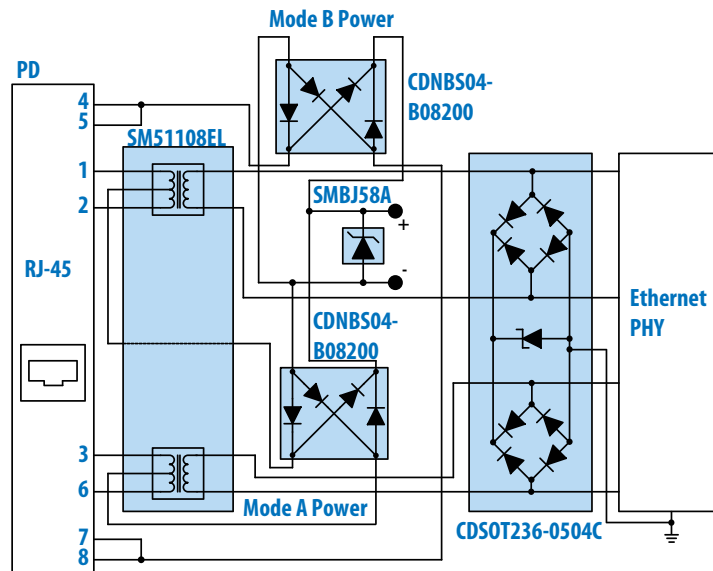
Alternate Recommendations

Other PortNote[®] Solutions:

- Ethernet - ESD Protection
 - Ethernet - Power Contact and Surge Protection
 - Ethernet - 10/100 Base-T Power over Ethernet (PoE) PSE Unit Protection
- Contact Bourns for PoE+ or Gbit PoE port solutions.*

Benefit

This solution provides ESD protection for 10/100 Base-T PoE PD devices without impairing the Ethernet signal.



The schematic above illustrates the application protection and does not constitute the complete circuit design. Customers should verify actual device performance in their specific applications.

X-ON Electronics

Largest Supplier of Electrical and Electronic Components

Click to view similar products for [Circuit Protection Kits](#) category:

Click to view products by [Bourns](#) manufacturer:

Other Similar products are found below :

[96-501A](#) [STANDARD SAMPLE KIT](#) [4030-02](#) [02800.0-01](#) [MC-600](#) [4879275](#) [4879279](#) [4879315](#) [4879333](#) [4879338](#) [4879374](#) [4879626](#)
[GSK-260](#) [B72499A9999K199](#) [ORBOX006Z](#) [B57888S0888M888](#) [B72499I9999K199](#) [B72499S9999K199](#) [01610.0-01](#) [B57999V5999J199](#)
[STD sample kit](#) [DK-IsoMOV-04](#) [DK-IsoMOV-02](#) [DK-IsoMOV-03](#) [SF-KIT-AUTO-1](#) [SF-KIT-AUTO-2](#) [SF-KIT-HC-1](#) [SF-KIT-HV-1](#) [SF-](#)
[KIT-IEC-1](#) [8C4-B-B21](#) [MAI](#) [X1180-01-XT202-1A](#) [X1180-01-ST201-4A](#) [Kit-GG01](#) [00227064](#) [00599362](#) [00680300](#) [0FHZ00854-BX](#)
[502069705](#) [01602.0-00](#) [B74999T9999M099](#) [96-500A](#) [ZENER-KIT](#) [A-2130](#) [B57999V2999J199](#) [820999](#) [Mini sample kit](#) [MS sample kit](#)
[KITTVSDIODE1TOBO1](#) [4030-01](#)