

# SLIC Protection for RJ11 Ports in IP-PBX

## ITU-T Solution

### Solution Products



TBU-PL060-200-WH



TISP4500H3BJR

### Objective

The SLIC (Subscriber Line Interface Circuit) provides all of the BORSCHT functions such as battery, ringing and supervision between the codec and telephone handset. This PortNote® Solution discusses negative battery voltage solutions against surge and power contact threats.

### Solution

- 1 TBU® High-Speed Protector:  
TBU-PL060-200-WH
- 2 Thyristor Surge Protectors:  
TISP4500H3BJR

### Compliance

ITU-T Basic K.20, K.21, K.45.

- 230 V<sub>rms</sub>, 23 A, 900 seconds withstand.
- Increased surge withstand to 4 kV 10/700 μs without a primary protector.

### Alternate Recommendations

Other PortNote® Solutions:

- Dual Supply Voltage SLIC Protection - ITU-T Solution
- Negative Battery Voltage SLIC Protection - GR-1089-CORE Intra-building Solution
- SLIC Protection - GR-1089-CORE Intra-building Solution

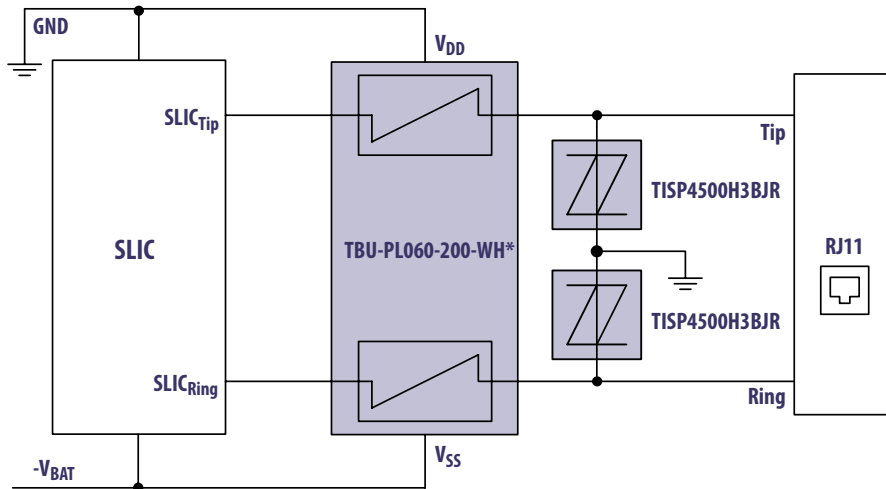
### Benefit

This solution provides a high level of protection in a small PCB area.

### Design Kit



PN-DESIGNKIT-49



The schematic above illustrates the application protection and does not constitute the complete circuit design. Customers should verify actual device performance in their specific applications.

\*Note: The VE950 series (e.g., Le9500, Le9520, Le9530, Le9540) require a 200 mA I<sub>trigger</sub>. TBU® High-Speed Protector (HSP) for normal operation. All other SLICs may use 100 mA I<sub>trigger</sub>. TBU® HSP devices.

## X-ON Electronics

Largest Supplier of Electrical and Electronic Components

*Click to view similar products for [Circuit Protection Kits](#) category:*

*Click to view products by [Bourns](#) manufacturer:*

Other Similar products are found below :

[96-501A](#) [STANDARD SAMPLE KIT](#) [4030-02](#) [02800.0-01](#) [MC-600](#) [4879275](#) [4879279](#) [4879333](#) [4879626](#) [GSK-260](#) [B72499A9999K199](#)  
[ORBOX006Z](#) [B57888S0888M888](#) [B72499I9999K199](#) [B72499S9999K199](#) [01610.0-01](#) [B57999V5999J199](#) [STD sample kit](#) [DK-IsoMOV-04](#)  
[DK-IsoMOV-02](#) [DK-IsoMOV-03](#) [SF-KIT-AUTO-1](#) [SF-KIT-AUTO-2](#) [SF-KIT-HC-1](#) [SF-KIT-HV-1](#) [SF-KIT-IEC-1](#) [8C4-B-B21](#) [MAI](#)  
[X1180-01-XT202-1A](#) [X1180-01-ST201-4A](#) [Kit-GG01](#) [00227064](#) [00599362](#) [00680300](#) [0FHZ00854-BX](#) [502069705](#) [01602.0-00](#)  
[B74999T9999M099](#) [96-500A](#) [ZENER-KIT](#) [A-2130](#) [B57999V2999J199](#) [820999](#) [Mini sample kit](#) [MS sample kit](#) [KITTVSDIODE1TOBO1](#)  
[4030-01](#) [CD-LAB10](#) [CD-LAB11](#) [CD-LAB2](#)