

Ethernet

Quad Port Power over Ethernet (PoE++) PSE Unit Protection

Bourns® PortNote® solutions provide protection recommendations for typical port threats.

Solution Products



CDNBS08-T58CC



SM51625EL

Objective

Power over Ethernet (PoE) interfaces combine differential signals and DC power. This solution provides the protection for the power section of a quad port PSE (up to PoE++ Type 3).

Solution

1 TVS Diode Array: CDNBS08-T58CC
4 Quad Transformers: SM51625EL

Compliance*

IEC 61000-4-2 Level 4 (30 kV)
IEC 61000-4-5 Level 2 (1KV)

Alternate Recommendations

Other PortNote® and TelNote™ Solutions:

- Ethernet - ESD Protection PortNote®
- Ethernet - Power Over Ethernet (PoE) Surge Protection PortNote®
- Ethernet - 10/100 Base-T Power over Ethernet (PoE) PSE Unit Protection PortNote®
- Ethernet - 10/100 Base-T Power over Ethernet (PoE) PD Unit Protection PortNote®
- Ethernet - Exposed PoE Circuit Conditioning TelNote™

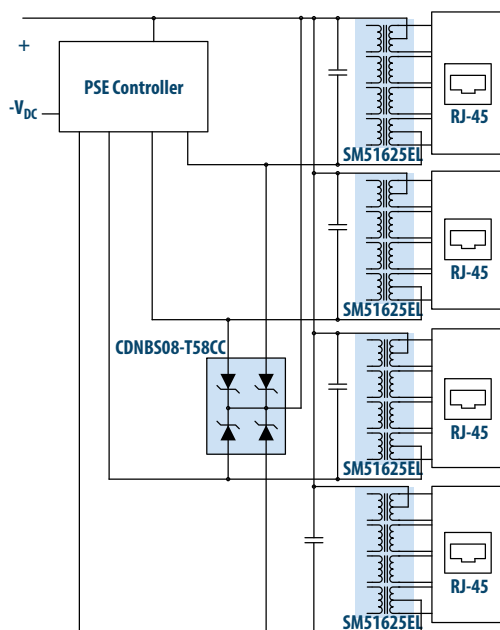
Contact Bourns for additional PoE++ and GbE solutions.

Benefit

This solution provides ESD and Surge protection, with low leakage, using a small area of the PCB.

*The Bourns® model CDNBS08-T58CC Diode Array helps ensure the circuit protection for Power over Ethernet (PoE) applications' compliance to IEC 61000-4-2 Level 4 (30 kV) and IEC 61000-4-5 Level 2 (1 kV).

The schematic shown here illustrates the application and does not constitute the complete circuit design. Customers should verify actual device performance in their specific applications.



Request Sample 

To order samples, click on the "Request Sample" button.

www.bourns.com

BOURNS[®]

Americas: Tel +1-951 781-5500
Email americus@bourns.com

EMEA: Tel +36 88 520 390
Email eurocus@bourns.com

Asia-Pacific: Tel +886-2 256 241 17
Email asiacus@bourns.com

X-ON Electronics

Largest Supplier of Electrical and Electronic Components

Click to view similar products for [Circuit Protection Kits](#) category:

Click to view products by [Bourns](#) manufacturer:

Other Similar products are found below :

[96-501A](#) [STANDARD SAMPLE KIT](#) [4030-02](#) [02800.0-01](#) [MC-600](#) [4879275](#) [4879279](#) [4879315](#) [4879333](#) [4879338](#) [4879374](#) [4879626](#)
[GSK-260](#) [B72499A9999K199](#) [ORBOX006Z](#) [B57888S0888M888](#) [B72499I9999K199](#) [B72499S9999K199](#) [01610.0-01](#) [B57999V5999J199](#)
[STD sample kit](#) [DK-IsoMOV-04](#) [DK-IsoMOV-02](#) [DK-IsoMOV-03](#) [SF-KIT-AUTO-1](#) [SF-KIT-AUTO-2](#) [SF-KIT-HC-1](#) [SF-KIT-HV-1](#) [SF-](#)
[KIT-IEC-1](#) [8C4-B-B21](#) [MAI](#) [X1180-01-XT202-1A](#) [X1180-01-ST201-4A](#) [Kit-GG01](#) [00227064](#) [00599362](#) [00680300](#) [0FHZ00854-BX](#)
[502069705](#) [01602.0-00](#) [B74999T9999M099](#) [96-500A](#) [ZENER-KIT](#) [A-2130](#) [B57999V2999J199](#) [820999](#) [Mini sample kit](#) [MS sample kit](#)
[KITTVSDIODE1TOBO1](#) [4030-01](#)