



## Features

- Formerly J. W. Miller® model
- Current rating up to 2.6 A
- Inductance range: 10  $\mu$ H to 47,000  $\mu$ H
- RoHS compliant\*

## Applications

- DC/DC converters
- Power supplies
- Desktop notebooks
- Output chokes

# RL895 Series - Radial Lead RF Choke

### Electrical Specifications (@ 25 °C)

Part Number	Inductance ( $\mu$ H)	Tol.	Q (Min.)	Test Frequency		SRF (MHz) Typ.	DCR ( $\Omega$ ) Max.	I dc (mA)
				L	Q			
RL895-100M-RC	10	$\pm 20\%$	40	2.52 MHz	2.52 MHz	14	0.04	2600
RL895-120M-RC	12	$\pm 20\%$	40	2.52 MHz	2.52 MHz	13	0.04	2600
RL895-150K-RC	15	$\pm 10\%$	40	2.52 MHz	2.52 MHz	11	0.05	2100
RL895-180K-RC	18	$\pm 10\%$	40	2.52 MHz	2.52 MHz	10	0.05	2000
RL895-220K-RC	22	$\pm 10\%$	40	2.52 MHz	2.52 MHz	9.0	0.06	1700
RL895-270K-RC	27	$\pm 10\%$	40	2.52 MHz	2.52 MHz	8.0	0.06	1600
RL895-330K-RC	33	$\pm 10\%$	40	2.52 MHz	2.52 MHz	7.0	0.07	1400
RL895-390K-RC	39	$\pm 10\%$	40	2.52 MHz	2.52 MHz	6.5	0.08	1400
RL895-470K-RC	47	$\pm 10\%$	40	2.52 MHz	2.52 MHz	6.0	0.10	1300
RL895-560K-RC	56	$\pm 10\%$	30	2.52 MHz	2.52 MHz	5.5	0.11	1200
RL895-680K-RC	68	$\pm 10\%$	30	2.52 MHz	2.52 MHz	5.0	0.14	1100
RL895-820K-RC	82	$\pm 10\%$	30	2.52 MHz	2.52 MHz	4.5	0.16	1000
RL895-101K-RC	100	$\pm 10\%$	25	1.0 KHz	796 KHz	4.0	0.19	900
RL895-121K-RC	120	$\pm 10\%$	25	1.0 KHz	796 KHz	3.8	0.22	820
RL895-151K-RC	150	$\pm 10\%$	25	1.0 KHz	796 KHz	3.5	0.27	740
RL895-181K-RC	180	$\pm 10\%$	25	1.0 KHz	796 KHz	3.0	0.31	710
RL895-221K-RC	220	$\pm 10\%$	25	1.0 KHz	796 KHz	2.8	0.38	640
RL895-271K-RC	270	$\pm 10\%$	25	1.0 KHz	796 KHz	2.4	0.53	570
RL895-331K-RC	330	$\pm 10\%$	20	1.0 KHz	796 KHz	2.2	0.61	510
RL895-391K-RC	390	$\pm 10\%$	20	1.0 KHz	796 KHz	2.1	0.69	480
RL895-471K-RC	470	$\pm 10\%$	15	1.0 KHz	796 KHz	2.0	0.89	430
RL895-561K-RC	560	$\pm 10\%$	15	1.0 KHz	796 KHz	1.8	1.01	400
RL895-681K-RC	680	$\pm 10\%$	15	1.0 KHz	796 KHz	1.5	1.18	350
RL895-821K-RC	820	$\pm 10\%$	15	1.0 KHz	796 KHz	1.4	1.57	320
RL895-102K-RC	1000	$\pm 10\%$	40	1.0 KHz	252 KHz	1.3	1.84	300
RL895-122K-RC	1200	$\pm 10\%$	40	1.0 KHz	252 KHz	1.2	2.10	270
RL895-152K-RC	1500	$\pm 10\%$	45	1.0 KHz	252 KHz	1.0	2.80	230
RL895-182K-RC	1800	$\pm 10\%$	45	1.0 KHz	252 KHz	0.90	3.21	210
RL895-222K-RC	2200	$\pm 10\%$	45	1.0 KHz	252 KHz	0.80	4.21	190
RL895-272K-RC	2700	$\pm 10\%$	45	1.0 KHz	252 KHz	0.78	4.94	170
RL895-332K-RC	3300	$\pm 10\%$	45	1.0 KHz	252 KHz	0.70	6.16	150
RL895-392K-RC	3900	$\pm 10\%$	45	1.0 KHz	252 KHz	0.65	6.84	140
RL895-472K-RC	4700	$\pm 10\%$	45	1.0 KHz	252 KHz	0.60	7.89	130
RL895-562K-RC	5600	$\pm 10\%$	50	1.0 KHz	252 KHz	0.55	11.5	120
RL895-682K-RC	6800	$\pm 10\%$	50	1.0 KHz	252 KHz	0.48	13.2	110
RL895-822K-RC	8200	$\pm 10\%$	50	1.0 KHz	252 KHz	0.45	15.3	100
RL895-103K-RC	10,000	$\pm 10\%$	80	1.0 KHz	79.6 KHz	0.40	22.0	89
RL895-123K-RC	12,000	$\pm 10\%$	80	1.0 KHz	79.6 KHz	0.39	25.0	73
RL895-153K-RC	15,000	$\pm 10\%$	80	1.0 KHz	79.6 KHz	0.33	29.1	68
RL895-183K-RC	18,000	$\pm 10\%$	80	1.0 KHz	79.6 KHz	0.29	38.9	66
RL895-223K-RC	22,000	$\pm 10\%$	70	1.0 KHz	79.6 KHz	0.27	44.9	59
RL895-273K-RC	27,000	$\pm 10\%$	70	1.0 KHz	79.6 KHz	0.24	55.2	52
RL895-333K-RC	33,000	$\pm 10\%$	70	1.0 KHz	79.6 KHz	0.21	64.2	48
RL895-393K-RC	39,000	$\pm 10\%$	60	1.0 KHz	79.6 KHz	0.20	74.2	42
RL895-473K-RC	47,000	$\pm 10\%$	60	1.0 KHz	79.6 KHz	0.17	96.4	38

### Electrical Schematic



### General Specifications

Rated Current..... Inductance drop 10 %,  
 Operating Temperature  
 .....-30 °C to +100 °C  
 Storage Temperature  
 .....-30 °C to +100 °C

### Materials

Core Material..... Ferrite  
 Wire ..... Enameled copper  
 Terminal Coating..... Sn/Ag/Cu alloy

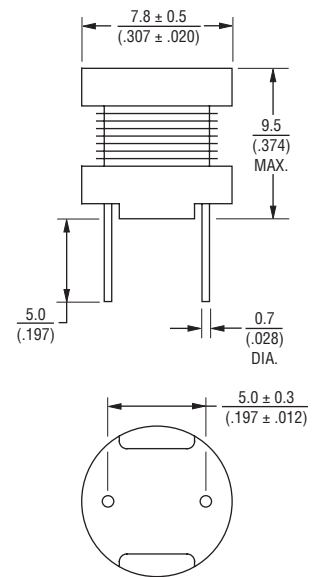
### Marking

..... Value code on top of inductor

### Packaging

Standard..... 100 pcs. per bag

### Product Dimensions



DIMENSIONS:  $\frac{\text{MM}}{\text{(INCHES)}}$

### How To Order

**RL895 - 102K - RC**

Model \_\_\_\_\_  
 Value/Tolerance Code (see table) \_\_\_\_\_  
 Compliance Code \_\_\_\_\_  
 RC = RoHS Compliant

Example:  
 RL895-102K-RC = 1000  $\mu$ H,  $\pm 10\%$

## X-ON Electronics

Largest Supplier of Electrical and Electronic Components

*Click to view similar products for [Bourns](#) manufacturer:*

Other Similar products are found below :

[PWR4412-2SDR0050F](#) [SRP1040-3R3M](#) [3319P-1-503](#) [PWR4412-2SDR1000F](#) [SF-FP-LAB1](#) [SF-SP-LAB1](#) [PV36Z502C01B00](#) [CMF-RLC50-10-0](#) [PTF01-082T-103B2](#) [CMF-SD35A-2](#) [CMF-RD50-0](#) [CRF0805-FX-R009ELF](#) [5900-153-RC](#) [6324](#) [6346](#) [6359](#) [6630S0D-B28-A203](#) [CW201212-LAB1](#) [70F122AI-RC](#) [74F396AP-RC](#) [83A1D-B28-J10](#) [PCW1J-B24-KAB502](#) [PCW1J-R24-CAB503L](#) [PTS01-11L-103B1](#) [PWR221T-30-1R00F](#) [PWR263S-20-20R0F](#) [H-1060](#) [RJ26FW101](#) [RJR24FX104R](#) [2017-15-SMH-RPLF](#) [2100LL-100-H-RC](#) [2200HT-821-V-RC](#) [RT22C2X502](#) [RT26C2X501](#) [91C1A-D24-A10L](#) [SDE0805A-221K](#) [SRP1238A-1R8M](#) [SRP1238A-R10Y](#) [SRP1265A-R82M](#) [SRR0908-102YL](#) [SRU20-LAB1](#) [SRU5028A-101Y](#) [SRU60-LAB1](#) [3292W-1-501](#) [3296Y-1-500](#) [3309P-1-201](#) [3309P-1-502](#) [3309W-1-102](#) [3319W-1-102](#) [3339P-1-103](#)