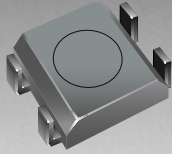


\*RoHS COMPLIANT



**BOURNS®**

## Features

- Available in E6 series
- Low unit height of 1.8 mm
- High current
- RoHS compliant\*



This series is obsolete.

## SRR0618 Series - Shielded Power Inductors

### Electrical Specifications

Bourns Part No.	Inductance 100kHz		Q Ref.	Test Frequency (kHz)	SRF Nom. (MHz)	RDC Max. (Ω)	I rms Typ. (A)	I sat Typ. (A)
	(μH)	Tol. %						
SRR0618-2R2ML	2.2	± 20	30	100	95	0.05	1.70	2.10
SRR0618-3R3ML	3.3	± 20	30	100	70	0.07	1.40	1.75
SRR0618-4R7ML	4.7	± 20	30	100	65	0.10	1.05	1.45
SRR0618-6R8ML	6.8	± 20	30	100	50	0.15	0.95	1.18
SRR0618-100ML	10.0	± 20	30	100	45	0.22	0.82	0.98
SRR0618-150ML	15.0	± 20	30	100	35	0.31	0.60	0.76
SRR0618-220ML	22.0	± 20	30	100	25	0.46	0.47	0.60
SRR0618-330ML	33.0	± 20	30	100	22	0.68	0.43	0.53
SRR0618-470ML	47.0	± 20	30	100	20	1.10	0.36	0.44
SRR0618-680ML	68.0	± 20	30	100	15	1.50	0.30	0.37
SRR0618-101ML	100.0	± 20	30	100	13	2.30	0.23	0.27

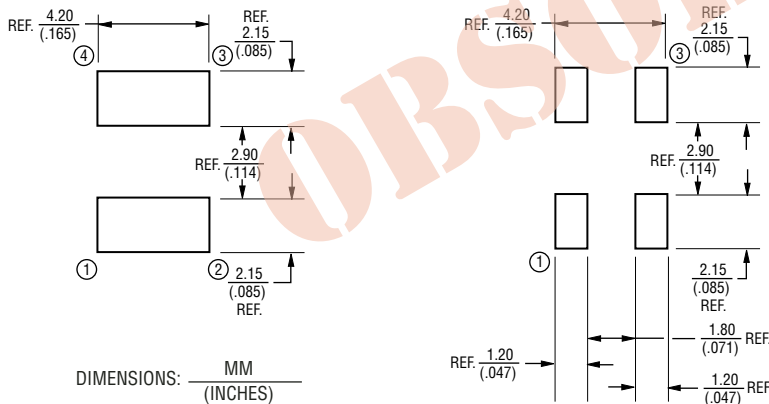
### General Specifications

Test Voltage .....0.1 Volt  
 Reflow Soldering .....230 °C, 50 sec max.  
 Operating Temperature ..-40 °C to +125 °C  
 (Temperature rise included)  
 Storage Temperature..-40 °C to +125 °C  
 Resistance to Soldering Heat  
 .....260 °C for 10 sec.

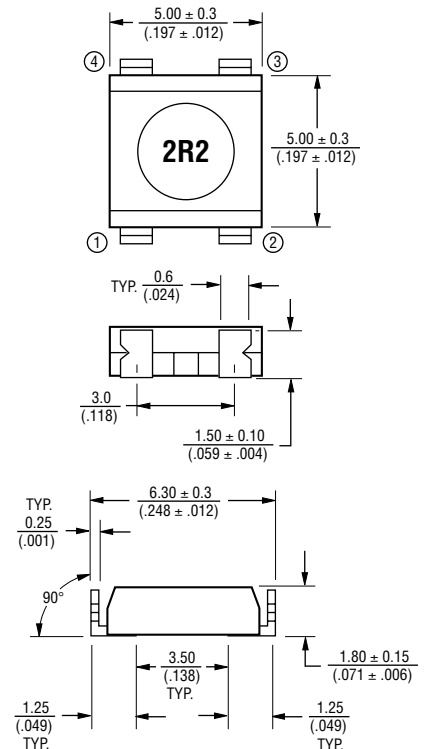
### Materials

Core Material.....Ferrite DR  
 Wire .....Enamelled Copper  
 Base .....Ferrite Core  
 Terminal.....Cu/Ni/Sn  
 Rated Current...Ind. drop 50 % typ at I sat  
 Temperature Rise  
 .....40 °C max at rated I rms  
 Packaging.....900 pcs. per reel

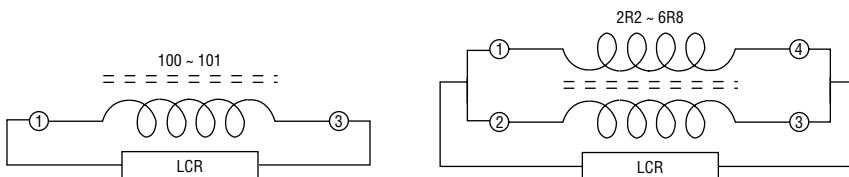
### Recommended Layout



### Product Dimensions



### Electrical Schematic



\*RoHS Directive 2002/95/EC Jan. 27, 2003 including annex and RoHS Recast 2011/65/EU June 8, 2011.  
 Specifications are subject to change without notice.

The device characteristics and parameters in this data sheet can and do vary in different applications and actual device performance may vary over time.  
 Users should verify actual device performance in their specific applications.

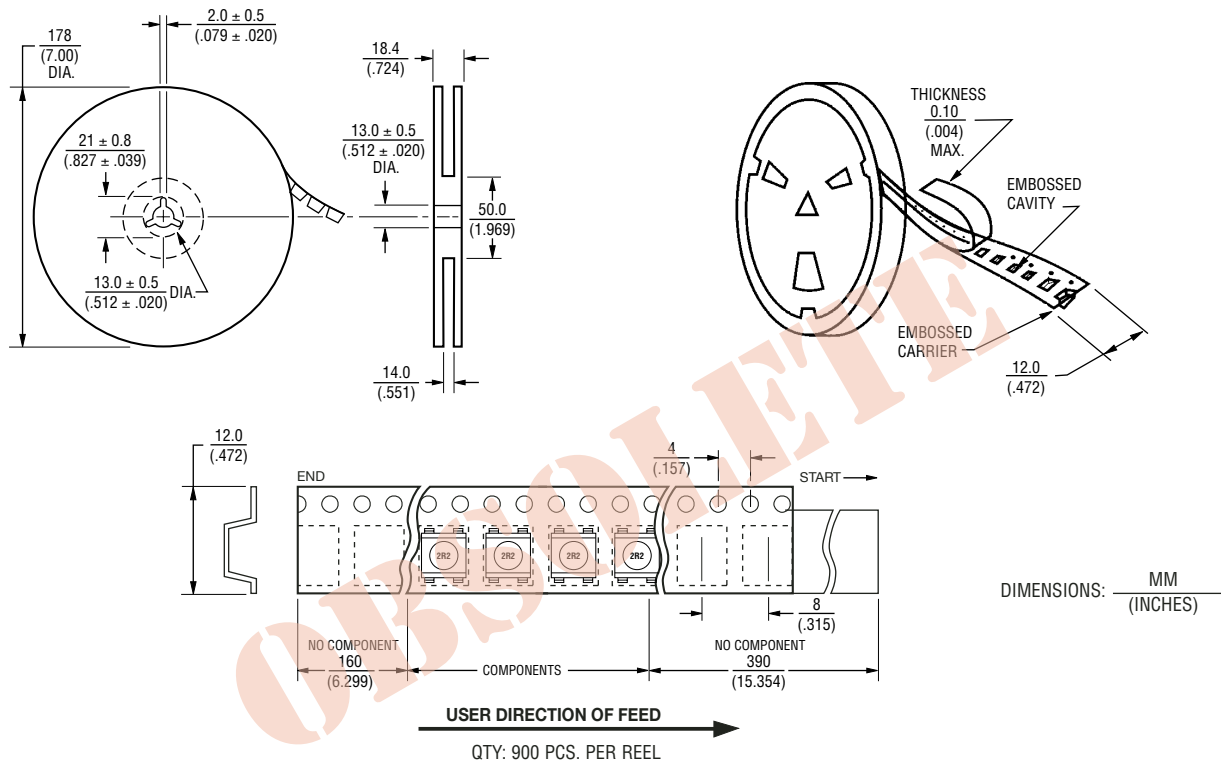
## Applications

- Input/output of DC/DC converters
- Power supplies for:
  - Portable communication equipment
  - Camcorders
  - LCD TVs
  - Car radios

## SRR0618 Series - Shielded Power Inductors

**BOURNS®**

### Packaging Specifications



REV. 10/16

Specifications are subject to change without notice.

The device characteristics and parameters in this data sheet can and do vary in different applications and actual device performance may vary over time. Users should verify actual device performance in their specific applications.

## X-ON Electronics

Largest Supplier of Electrical and Electronic Components

*Click to view similar products for [Fixed Inductors](#) category:*

*Click to view products by [Bourns](#) manufacturer:*

Other Similar products are found below :

[CR43NP-680KC](#) [CR54NP-820KC](#) [CR54NP-8R5MC](#) [CTX32CT-100](#) [70F224AI](#) [MGDQ4-00004-P](#) [MHL1ECTTP18NJ](#) [MHL1JCTTD12NJ](#)  
[PE-51506NL](#) [PE-53601NL](#) [PE-53602NL](#) [PE-53630NL](#) [PE-53824SNLT](#) [PE-92100NL](#) [PG0434.801NLT](#) [PG0936.113NLT](#) [9310-16](#) [PM06-2N7](#) [PM06-39NJ](#) [A01TK](#) [1206CS-471XJ](#) [HC2-2R2TR](#) [HC2LP-R47-R](#) [HC3-2R2-R](#) [1206CS-151XG](#) [RCH664NP-140L](#) [RCH664NP-4R7M](#)  
[RCH8011NP-221L](#) [RCP1317NP-332L](#) [RCP1317NP-391L](#) [RCR1010NP-470M](#) [RCR110DNP-331L](#) [DH2280-4R7M](#) [DS1608C-106](#) [ASPI-4020HI-R10M-T](#) [B10TJ](#) [B82477P4333M](#) [B82498B3101J000](#) [B82498B3680J000](#) [ELJ-RE27NJF2](#) [1812CS-153XJ](#) [1812CS-183XJ](#) [1812CS-223XJ](#) [1812LS-104XJ](#) [1812LS-105XJ](#) [1812LS-124XJ](#) [1812LS-154XJ](#) [1812LS-223XJ](#) [1812LS-224XJ](#) [1812LS-563XJ](#)