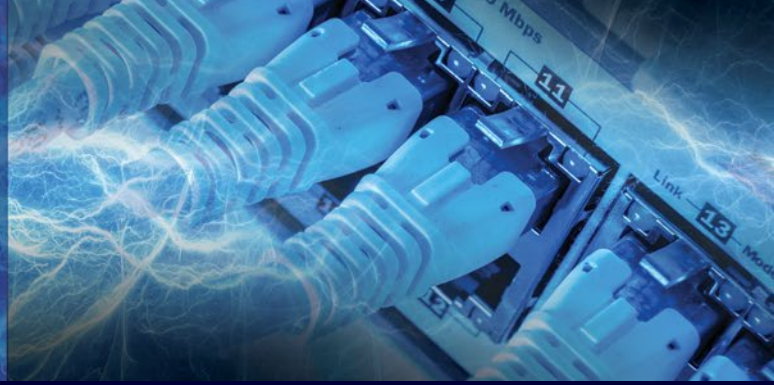
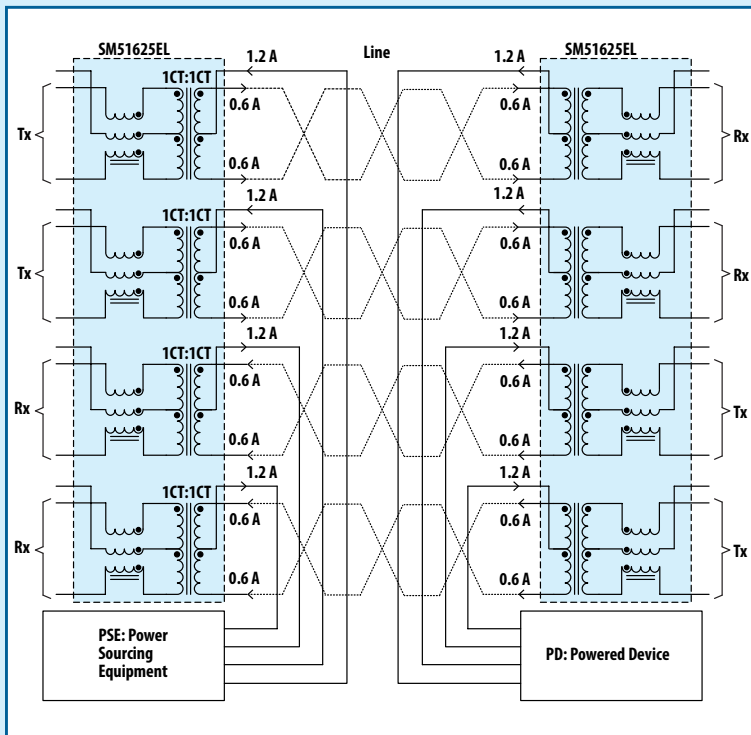


BOURNS® TEL-NOTES

Power over Ethernet (PoE) Solutions



EXPOSED POWER OVER ETHERNET (PoE) Circuit Conditioning



*The Bourns® model SM51625EL transformer is built to meet IEEE 802.3 specification, by fitting in the specified limits defined in the Clause 40.8.3 for Medium Dependent Interface (MDI) of the IEEE 802.3-2012, thus helps ensure an application's compliance to IEEE 802.3-2012.

The schematic shown here illustrates the conditioning of the application and does not constitute the complete circuit design. Customers should verify actual device performance in their specific applications.

Product



SM51625EL

Design Kit



TEL-NOTEKIT-2

Objective

Introduction of a high current PoE transformer, enabling higher power applications for outdoor PoE applications

Solution

High current transformer:

- SM51625EL

Compliance*

IEEE802.3

Features & Benefits

This solution enables high power delivery over Ethernet cables without impacting signal integrity

BOURNS®

For more information, go to:

www.bourns.com

or email: protection@bourns.com

Americas: Tel +1-951 781-5500
Fax +1-951 781-5700

EMEA: Tel +36 88 520 390
Fax +36 88 520 211

Asia-Pacific: Tel +886-2 256 241 17
Fax +886-2 256 241 16

COPYRIGHT © 2016 • BOURNS, INC. • 01/16 • PSG • XX/IC1546
"Bourns" is a registered trademark of Bourns, Inc.
in the U.S. and other countries.

X-ON Electronics

Largest Supplier of Electrical and Electronic Components

Click to view similar products for [Circuit Protection Kits](#) category:

Click to view products by [Bourns](#) manufacturer:

Other Similar products are found below :

[96-501A](#) [STANDARD SAMPLE KIT](#) [4030-02](#) [02800.0-01](#) [MC-600](#) [4879275](#) [4879279](#) [4879333](#) [4879626](#) [GSK-260](#) [B72499A9999K199](#)
[ORBOX006Z](#) [B57888S0888M888](#) [B72499I9999K199](#) [B72499S9999K199](#) [01610.0-01](#) [B57999V5999J199](#) [STD sample kit](#) [DK-IsoMOV-04](#)
[DK-IsoMOV-02](#) [DK-IsoMOV-03](#) [SF-KIT-AUTO-1](#) [SF-KIT-AUTO-2](#) [SF-KIT-HC-1](#) [SF-KIT-HV-1](#) [SF-KIT-IEC-1](#) [8C4-B-B21](#) [MAI](#)
[X1180-01-XT202-1A](#) [X1180-01-ST201-4A](#) [Kit-GG01](#) [00227064](#) [00599362](#) [00680300](#) [0FHZ00854-BX](#) [502069705](#) [01602.0-00](#)
[B74999T9999M099](#) [96-500A](#) [ZENER-KIT](#) [A-2130](#) [B57999V2999J199](#) [820999](#) [Mini sample kit](#) [MS sample kit](#) [KITTVSDIODE1TOBO1](#)
[4030-01](#) [CD-LAB10](#) [CD-LAB11](#) [CD-LAB2](#)