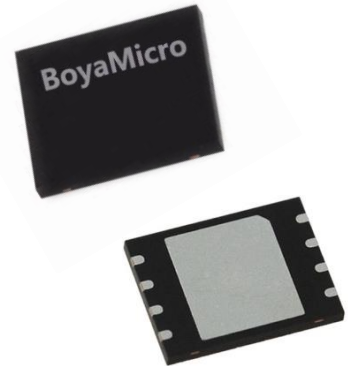




## Features

128M BIT SPI NOR FLASH

- **Serial Peripheral Interface (SPI)**
  - Standard SPI: SCLK, /CS, SI, SO, /WP, /HOLD
  - Dual SPI: SCLK, /CS, IO0, IO1, /WP, /HOLD
  - Quad SPI: SCLK, /CS, IO0, IO1, IO2, IO3
  - QPI: SCLK, /CS, IO0, IO1, IO2, IO3
  - Software & Hardware Reset
- **Read**
  - Normal Read (Serial): 50MHz clock rate
  - Fast Read (Serial): 108MHz clock rate
  - Dual/Quad (Multi-I/O) Read: 108MHz clock rate
- **Program**
  - Serial-input Page Program up to 256bytes
  - Quad-input Page Program up to 256bytes
- **Erase**
  - Block erase (64/32 KB)
  - Sector erase (4 KB)
  - Chip erase
  - Erase Suspend and Resume
- **Program/Erase Speed**
  - Page Program time: 0.7ms typical
  - Sector Erase time: 60ms typical
  - Block Erase time: 0.3/0.5s typical
  - Chip Erase time: 60s typical
- **Flexible Architecture**
  - Sector of 4K-byte
  - Block of 32/64K-byte
- **Low Power Consumption**
  - 25mA maximum active current
  - 5uA maximum power down current
- **Software/Hardware Write Protection**
  - 4x256-Byte Security Registers with OTP Lock
  - Enable/Disable protection with WP Pin
  - Write protect all/portion of memory via software
  - Top or Bottom, Sector or Block selection
- **Single Supply Voltage**
  - Full voltage range: 1.65~1.95V
- **Temperature Range**
  - Commercial (0°C to +70°C)
  - Industrial (-40°C to +85°C)
- **Cycling Endurance/Data Retention**
  - Typical 100k Program-Erase cycles on any sector
  - Typical 20-year data retention at +55°C



WSO6 6x5-mm



VSOP8 208-mil



# Contents

- Features**..... 1
- 1. Description .....5
- 2. Signal Description .....7
  - 2.1 Input/Output Summary ..... 7
  - 2.2 Chip Select (/CS) ..... 7
  - 2.3 Serial Clock (SCLK) ..... 7
  - 2.4 Serial Input (SI)/IO0 ..... 8
  - 2.5 Serial Data Output (SO)/IO1 ..... 8
  - 2.6 Write Protect (/WP)/IO2 ..... 8
  - 2.7 HOLD (/HOLD)/IO3 ..... 8
  - 2.8 VCC Power Supply ..... 8
  - 2.9 VSS Ground ..... 9
- 3. Block/Sector Addresses .....10
- 4. FUNCTIONAL DESCRIPTIONS ..... 11
  - 4.1 Standard SPI Instructions ..... 11
  - 4.2 Dual SPI Instructions..... 11
  - 4.3 Quad SPI Instructions ..... 11
  - 4.4 QPI Instructions..... 11
  - 4.5 Switch between SPI and QPI operation..... 12
- 5. Operation Features ..... 13
  - 5.1 Supply Voltage ..... 13
    - 5.1.1 Operating Supply Voltage ..... 13
    - 5.1.2 Power-up Conditions..... 13
    - 5.1.3 Device Reset ..... 13
    - 5.1.4 Power-down..... 13
  - 5.2 Active Power and Standby Power Modes..... 13
  - 5.3 Hold Condition..... 14
  - 5.4 Status Register..... 15
    - 5.4.1 Status Register Table ..... 15
    - 5.4.2 The Status and Control Bits ..... 17
    - 5.4.3 Status Register Protect Table ..... 19
    - 5.4.4 Write Protect Features ..... 19
    - 5.4.5 Status Register Memory Protection ..... 20
- 6. Device Identification ..... 22
- 7. Instructions Description..... 23
  - 7.1 Configuration and Status Instructions ..... 28
    - 7.1.1 Write Enable (06H) ..... 28
    - 7.1.2 Write Enable for Volatile Status Register (50h)..... 28
    - 7.1.3 Write Disable (04h) ..... 29
    - 7.1.4 Read Status Register-1(05h), Status Register-2 (35h) & Status Register-3 (15h)..... 30
    - 7.1.5 Write Status Register-1 (01h), Status Register-2 (31h) & Status Register-3 (11h)..... 31
  - 7.2 Read Instructions ..... 33
    - 7.2.1 Read Data (03H)..... 33
    - 7.2.2 Fast Read (0BH)..... 34
    - 7.2.3 Fast Read Dual Output (3Bh)..... 35



- 7.2.4 Fast Read Quad Output (6Bh) ..... 36
- 7.2.5 Fast Read Dual I/O (BBh) ..... 37
- 7.2.6 Fast Read Quad I/O (EBh) ..... 39
- 7.2.7 Word Read Quad I/O (E7h) ..... 42
- 7.2.8 Octal Word Read Quad I/O (E3h) ..... 44
- 7.2.9 Set Burst with Wrap (77h) ..... 46
- 7.2.10 Burst Read with Wrap (0Ch) ..... 47
- 7.3 ID and Power Instructions ..... 48
  - 7.3.1 Power-down (B9h) ..... 48
  - 7.3.2 Release Power-down / Device ID (ABh) ..... 49
  - 7.3.3 Read Manufacturer / Device ID (90h) ..... 50
  - 7.3.4 Read Manufacturer / Device ID Dual I/O (92h) ..... 51
  - 7.3.5 Read Manufacturer / Device ID Quad I/O (94h) ..... 52
  - 7.3.6 Read Unique ID Number (4Bh) ..... 53
  - 7.3.7 Read JEDEC ID (9Fh) ..... 54
- 7.4 Program / Erase and Security Instructions ..... 55
  - 7.4.1 Page Program (02h) ..... 55
  - 7.4.2 Quad Input Page Program (32h) ..... 57
  - 7.4.3 Sector Erase (20h) ..... 58
  - 7.4.4 32KB Block Erase (52h) ..... 59
  - 7.4.5 64KB Block Erase (D8h) ..... 60
  - 7.4.6 Chip Erase (C7h / 60h) ..... 61
  - 7.4.7 Erase Suspend (75h) ..... 62
  - 7.4.8 Erase Resume (7Ah) ..... 63
  - 7.4.9 Erase Security Registers (44h) ..... 64
  - 7.4.10 Program Security Registers (42h) ..... 65
  - 7.4.11 Read Security Registers (48h) ..... 66
  - 7.4.12 Set Read Parameters (C0h) ..... 67
  - 7.4.13 Enter QPI Mode (38h) ..... 68
  - 7.4.14 Exit QPI Mode (FFh) ..... 68
  - 7.4.15 Individual Block/Sector Lock (36h) ..... 69
  - 7.4.16 Individual Block/Sector Unlock (39h) ..... 70
  - 7.4.17 Read Block/Sector Lock (3Dh) ..... 71
  - 7.4.18 Global Block/Sector Lock (7Eh) ..... 72
  - 7.4.19 Global Block/Sector Unlock (98h) ..... 72
  - 7.4.20 Enable Reset (66h) and Reset Device (99h) ..... 73
- 8. Electrical Characteristics ..... 74
  - 8.1 Absolute Maximum Ratings ..... 74
  - 8.2 Operating Ranges ..... 74
  - 8.3 Power-up Timing and Write Inhibit Threshold ..... 75
  - 8.4 DC Electrical Characteristics ..... 76
  - 8.5 AC Measurement Conditions ..... 77
  - 8.6 AC Electrical Characteristics ..... 78
  - 8.7 AC Electrical Characteristics (cont'd) ..... 79
  - 8.8 Serial Output Timing ..... 80
  - 8.9 Serial Input Timing ..... 80
  - 8.10 HOLD Timing ..... 80
  - 8.11 WP Timing ..... 80



|                                      |    |
|--------------------------------------|----|
| 9. Package Information .....         | 81 |
| 9.1 Package 8-Pin VSOP8 208-mil..... | 81 |
| 9.2 Package 8-Pad WSON (6x5mm).....  | 82 |
| 10. Order Information .....          | 83 |
| 11. Document Change History.....     | 84 |



## 1. Description

The BY25Q128AL is 128M-bit Serial Peripheral Interface(SPI) Flash memory, and support the standard Serial Peripheral Interface (SPI), Dual/Quad I/O SPI as well as 2-clocks instruction cycle Quad Peripheral Interface (QPI): Serial Clock, Chip Select, Serial Data I/O0 (DI), I/O1 (DO), I/O2 (/WP), and I/O3 (/HOLD). SPI clock frequencies of up to 108MHz are supported allowing equivalent clock rates of 216MHz (108MHz x 2) for Dual I/O and 432MHz (108MHzx4) for Quad I/O when using the Fast Read Dual/Quad and QPI instructions. These transfer rates can outperform standard Asynchronous 8 and 16-bit Parallel Flash memories. The Continuous Read Mode allows for efficient memory access with as few as 8-clocks of instruction-overhead to read a 24-bit address, allowing true XIP (execute in place) operation. The device uses a single low voltage power supply, ranging from 1.65 Volt to 1.95 Volt.

Additionally, the device supports JEDEC standard manufacturer and device ID, a 64-bit Unique Serial Number and four 256-bytes Security Registers.

In order to meet environmental requirements, Boya Microelectronics offers an 8-pin VSOP8 208mil package, an 8-pad WSON 6x5-mm package, and other special order packages. Please contact Boya Microelectronics for ordering information.



Figure 1.1. Logic diagram

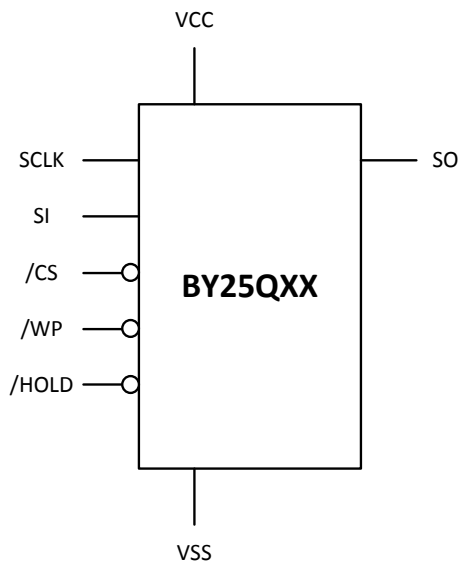


Figure 1.2. Pin Configuration VSOP8 208-mil

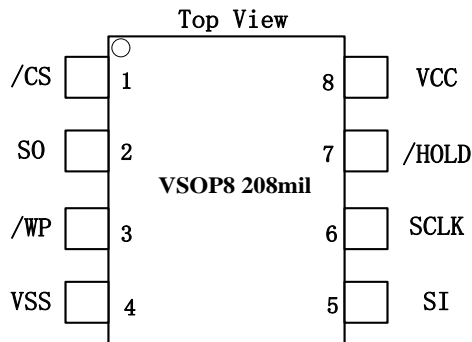
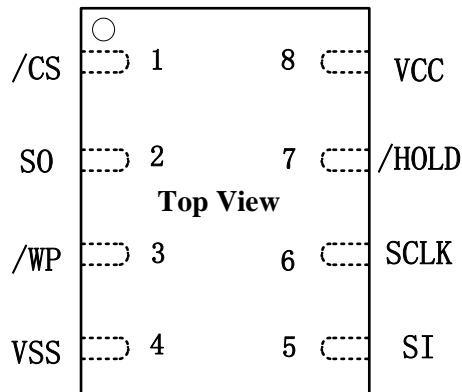


Figure 1.3. Pin Configuration WSON 6x5-mm





## 2. Signal Description

During all operations, VCC must be held stable and within the specified valid range: VCC(min) to VCC(max).

All of the input and output signals must be held High or Low (according to voltages of VIH, VOH, VIL or VOL, see Section 8.4, [DC Electrical Characteristics](#)). These signals are described next.

### 2.1 Input/Output Summary

**Table 1.** Signal Names

| Pin Name    | I/O | Description  |
|-------------|-----|--|
| /CS         | I   | Chip Select  |
| SO (IO1)    | I/O | Serial Output for single bit data Instructions. IO1 for Dual or Quad Instructions.   |
| /WP (IO2)   | I/O | Write Protect for single bit or Dual data Instructions. IO2 for Quad mode. This signal has an internal pull-up resistor and may be left unconnected in the host system if not used for Quad Instructions.                |
| VSS         |     | Ground   |
| SI (IO0)    | I/O | Serial Input for single bit data Instructions. IO0 for Dual or Quad Instructions.  |
| SCLK        | I   | Serial Clock   |
| /HOLD (IO3) | I/O | Hold (pause) serial transfer for single bit or Dual data Instructions. IO3 for Quad mode. This signal has an internal pull-up resistor and may be left unconnected in the host system if not used for Quad Instructions. |
| VCC         |     | Core and I/O Power Supply  |

### 2.2 Chip Select (/CS)

The chip select signal indicates when an instruction for the device is in process and the other signals are relevant for the memory device. When the /CS signal is at the logic high state, the device is not selected and all input signals are ignored and all output signals are high impedance. Unless an internal Program, Erase or Write Status Registers embedded operation is in progress, the device will be in the Standby Power mode. Driving the /CS input to logic low state enables the device, placing it in the Active Power mode. After Power Up, a falling edge on /CS is required prior to the start of any instruction.

### 2.3 Serial Clock (SCLK)

This input signal provides the synchronization reference for the SPI interface. Instructions, addresses, or data input are latched on the rising edge of the SCLK signal. Data output changes after the falling edge of SCLK.



## 2.4 Serial Input (SI)/IO0

This input signal is used to transfer data serially into the device. It receives instructions, addresses, and data to be programmed. Values are latched on the rising edge of serial SCK clock signal.

SI becomes IO0, an input and output during Dual and Quad Instructions for receiving instructions, addresses, and data to be programmed (values latched on rising edge of serial SCK clock signal) as well as shifting out data (on the falling edge of SCK).

## 2.5 Serial Data Output (SO)/IO1

This output signal is used to transfer data serially out of the device. Data is shifted out on the falling edge of the serial SCK clock signal.

SO becomes IO1 an input and output during Dual and Quad Instructions for receiving instructions, addresses, and data to be programmed (values latched on rising edge of serial SCK clock signal) as well as shifting out data (on the falling edge of SCK).

## 2.6 Write Protect (/WP)/IO2

When /WP is driven Low (VIL), while the Status Register Protect bits (SRP1 and SRP0) of the Status Registers (SR2[0] and SR1[7]) are set to 0 and 1 respectively, it is not possible to write to the Status Registers. This prevents any alteration of the Status Registers. As a consequence, all the data bytes in the memory area that are protected by the Block Protect, TB, SEC bits in the status registers, are also hardware protected against data modification while /WP remains Low. The /WP function is not available when the Quad mode is enabled (QE) in Status Register 2 (SR2[1]=1).

The /WP function is replaced by IO2 for input and output during Quad mode for receiving addresses, and data to be programmed (values are latched on rising edge of the SCK signal) as well as shifting out data (on the falling edge of SCK). /WP has an internal pull-up resistance, when unconnected, /WP is at VIH and may be left unconnected in the host system if not used for Quad mode.

## 2.7 HOLD (/HOLD)/IO3

The /HOLD signal goes low to stop any serial communications with the device, but doesn't stop the operation of write status register, programming, or erasing in progress.

The operation of HOLD, need /CS keep low, and starts on falling edge of the /HOLD signal, with SCLK signal being low (if SCLK is not being low, HOLD operation will not start until SCLK being low). The HOLD condition ends on rising edge of /HOLD signal with SCLK being low (If SCLK is not being low, HOLD operation will not end until SCLK being low).

When QE=0, the IO3 pin can be configured either as a /HOLD pin or as a /RESET pin depending on Status Register setting. When QE=1, the /HOLD or /RESET function is not available.

## 2.8 VCC Power Supply

VCC is the supply voltage. It is the single voltage used for all device functions including read, program, and erase.





## 2.9 VSS Ground

VSS is the reference for the VCC supply voltage.



### 3. Block/Sector Addresses

**Table 2.** Block/Sector Addresses of BY25Q128AL

| Memory Density | Block(64k byte) | Block(32k byte) | Sector No.  | Sector Size(KB) | Address range   |
|----------------|-----------------|-----------------|-------------|-----------------|-----------------|
| 128Mbit        | Block 0         | Half block 0    | Sector 0    | 4               | 000000h-000FFFh |
|                |                 |                 | :           | :               | :               |
|                |                 |                 | Sector 7    | 4               | 007000h-007FFFh |
|                |                 | Half block 1    | Sector 8    | 4               | 008000h-008FFFh |
|                |                 |                 | :           | 4               | :               |
|                |                 |                 | Sector 15   | 4               | 00F000h-00FFFFh |
|                | Block 1         | Half block 2    | Sector 16   | 4               | 010000h-010FFFh |
|                |                 |                 | :           | :               | :               |
|                |                 |                 | Sector 23   | 4               | 017000h-017FFFh |
|                |                 | Half block 3    | Sector 24   | 4               | 018000h-018FFFh |
|                |                 |                 | :           | :               | :               |
|                |                 |                 | Sector 31   | 4               | 01F000h-01FFFFh |
|                | :               | :               | :           | :               | :               |
|                | Block 254       | Half block 508  | Sector 4064 | 4               | FE0000h-FE0FFFh |
|                |                 |                 | :           | :               | :               |
|                |                 |                 | Sector 4071 | 4               | FE7000h-FE7FFFh |
|                |                 | Half block 509  | Sector 4072 | 4               | FE8000h-FE8FFFh |
|                |                 |                 | :           | 4               | :               |
|                |                 |                 | Sector 4079 | 4               | FEF000h-FEFFFFh |
|                | Block 255       | Half block 510  | Sector 4080 | 4               | FF0000h-FF0FFFh |
|                |                 |                 | :           | :               | :               |
|                |                 |                 | Sector 4087 | 4               | FF7000h-FF7FFFh |
|                |                 | Half block 511  | Sector 4088 | 4               | FF8000h-FF8FFFh |
|                |                 |                 | :           | :               | :               |
|                |                 |                 | Sector 4095 | 4               | FFF000h-FFFFFFh |

**Notes:**

1. Block = Uniform Block, and the size is 64K bytes.
2. Half block = Half Uniform Block, and the size is 32K bytes.
3. Sector = Uniform Sector, and the size is 4K bytes.



## 4. FUNCTIONAL DESCRIPTIONS

### 4.1 Standard SPI Instructions

The BY25Q128AL features a serial peripheral interface on 4 signals bus: Serial Clock (SCLK), Chip Select (/CS), Serial Data Input (SI) and Serial Data Output (SO). Both SPI bus mode 0 and 3 are supported. Input data is latched on the rising edge of SCLK and data shifts out on the falling edge of SCLK.

### 4.2 Dual SPI Instructions

The BY25Q128AL supports Dual SPI operation when using the “Dual Output Fast Read” and “Dual I/O Fast Read” (3Bh and BBh) instructions. These instructions allow data to be transferred to or from the device at two times the rate of the standard SPI. When using the Dual SPI instruction the SI and SO pins become bidirectional I/O pins: IO0 and IO1.

### 4.3 Quad SPI Instructions

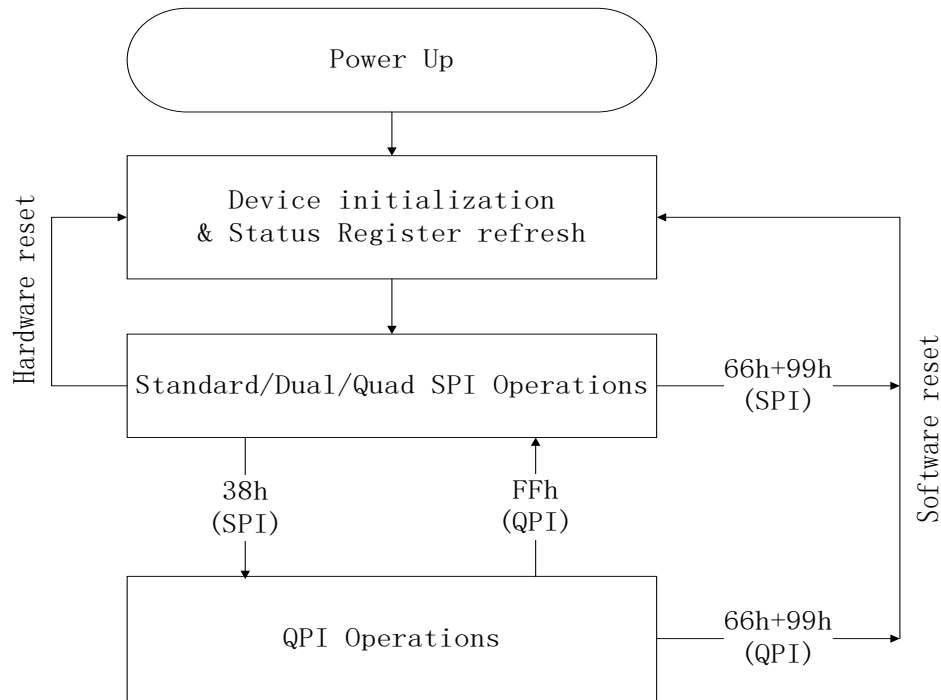
The BY25Q128AL supports Quad SPI operation when using the “Quad Output Fast Read”, “Quad I/O Fast Read”, “Word Read Quad I/O”, “Octal Word Read Quad I/O” (6Bh, EBh, E7h, E3h) instructions. These instructions allow data to be transferred to or from the device at four times the rate of the standard SPI. When using the Quad SPI instruction the SI and SO pins become bidirectional I/O pins: IO0 and IO1, and /WP and /HOLD pins become IO2 and IO3. Quad SPI instructions require the non-volatile Quad Enable bit (QE) in Status Register-2 to be set to 1.

### 4.4 QPI Instructions

The BY25Q128AL supports Quad Peripheral Interface (QPI) operations only when the device is switched from Standard/Dual/Quad SPI mode to QPI mode using the “Enter QPI (38h)” instruction. The typical SPI protocol requires that the byte-long instruction code being shifted into the device only via DI pin in eight serial clocks. The QPI mode utilizes all four IO pins to input the instruction code, thus only two serial clocks are required. This can significantly reduce the SPI instruction overhead and improve system performance in an XIP environment. Standard/Dual/Quad SPI mode and QPI mode are exclusive. Only one mode can be active at any given time. “Enter QPI (38h)” and “Exit QPI (FFh)” instructions are used to switch between these two modes. Upon power-up or after a software reset using “Enable Reset (66h)” and “Reset (99h)” instruction, the default state of the device is Standard/Dual/Quad SPI mode. To enable QPI mode, the non-volatile Quad Enable bit (QE) in Status Register-2 is required to be set to 1. When using QPI instructions, the DI and DO pins become bidirectional IO0 and IO1, and the /WP and /HOLD pins become IO2 and IO3 respectively.



### 4.5 Switch between SPI and QPI operation





## 5. Operation Features

### 5.1 Supply Voltage

#### 5.1.1 Operating Supply Voltage

Prior to selecting the memory and issuing instructions to it, a valid and stable VCC voltage within the specified [VCC(min), VCC(max)] range must be applied (see [operating ranges](#)). In order to secure a stable DC supply voltage, it is recommended to decouple the VCC line with a suitable capacitor (usually of the order of 10 nF to 100 nF) close to the VCC/VSS package pins. This voltage must remain stable and valid until the end of the transmission of the instruction and, for a Write instruction, until the completion of the internal write cycle.

#### 5.1.2 Power-up Conditions

When the power supply is turned on, VCC rises continuously from VSS to VCC. During this time, the Chip Select (/CS) line is not allowed to float but should follow the VCC voltage, it is therefore recommended to connect the /CS line to VCC via a suitable pull-up resistor.

In addition, the Chip Select (/CS) input offers a built-in safety feature, as the /CS input is edge sensitive as well as level sensitive: after power-up, the device does not become selected until a falling edge has first been detected on Chip Select (/CS). This ensures that Chip Select (/CS) must have been High, prior to going Low to start the first operation.

#### 5.1.3 Device Reset

In order to prevent inadvertent Write operations during power-up (continuous rise of VCC), a power on reset (POR) circuit is included. At Power-up, the device does not respond to any instruction until VCC has reached the power on reset threshold voltage (this threshold is lower than the minimum VCC operating voltage defined in [operating ranges](#)).

When VCC has passed the POR threshold, the device is reset.

#### 5.1.4 Power-down

At Power-down (continuous decrease in VCC), as soon as VCC drops from the normal operating voltage to below the power on reset threshold voltage, the device stops responding to any instruction sent to it. During Power-down, the device must be deselected (Chip Select (/CS) should be allowed to follow the voltage applied on VCC) and in Standby Power mode (that is there should be no internal Write cycle in progress).

### 5.2 Active Power and Standby Power Modes

When Chip Select (/CS) is Low, the device is selected, and in the Active Power mode. The device consumes ICC.

When Chip Select (/CS) is High, the device is deselected. If a Write cycle is not currently in progress, the device then goes in to the Standby Power mode, and the device consumption drops to ICC1.



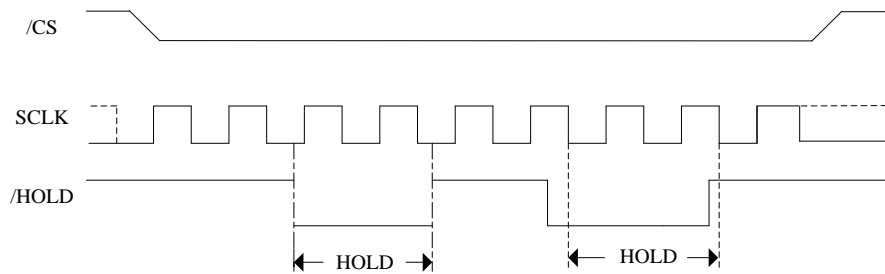
### 5.3 Hold Condition

The Hold (/HOLD) signal is used to pause any serial communications with the device without resetting the clocking sequence. During the Hold condition, the Serial Data Output (SO) is high impedance, and Serial Data Input (SI) and Serial Clock (SCLK) are Don't Care. To enter the Hold condition, the device must be selected, with Chip Select (/CS) Low. Normally, the device is kept selected, for the whole duration of the Hold condition. Deselecting the device while it is in the Hold condition, has the effect of resetting the state of the device, and this mechanism can be used if it is required to reset any processes that had been in progress.

The Hold condition starts when the Hold (/HOLD) signal is driven Low at the same time as Serial Clock (SCLK) already being Low (as shown in [Figure 5.1](#)).

The Hold condition ends when the Hold (HOLD) signal is driven High at the same time as Serial Clock (C) already being Low. [Figure 5.1](#) also shows what happens if the rising and falling edges are not timed to coincide with Serial Clock (SCLK) being Low.

**Figure 5.1.** Hold condition activation





## 5.4 Status Register

### 5.4.1 Status Register Table

See [Table 3](#), [Table 4](#) and [Table 5](#) for detail description of the Status Register bits. Status Register-3 (SR3), Status Register-2 (SR2) and Status Register-1 (SR1) can be used to provide status on the availability of the Flash memory array: whether the device is write enabled or disabled, the state of write protection, Quad SPI setting, Security Register lock status, and Erase/Program Suspend status, output driver strength, and so on.

**Table 3.** Status Register-3 (SR3)

| BIT | Name       | Function                 | Default Value | Description   |
|-----|------------|--------------------------|---------------|---|
| 7   | HOLD / RST | /HOLD or /RESET Function | 0             | 0 = the pin acts as /HOLD<br>1 = the pin acts as /RESET<br>(Volatile / Non-Volatile, Writable)  |
| 6   | DRV1       | Output Driver Strength   | 1             | determine the output driver strength for the Read operations (See <a href="#">Table 6</a> for driver strength)<br>(Volatile / Non-Volatile, Writable) |
| 5   | DRV0       |                          | 0             |   |
| 4   | (R)        | Reserved                 | /             | /   |
| 3   | (R)        | Reserved                 | /             | /   |
| 2   | WPS        | Write Protect Selection  | 0             | 0 = Write Protect by CMP, SEC, TB, BP[2:0]<br>1 = Write Protect by the Individual Block Locks<br>(Volatile / Non-Volatile, Writable)                  |
| 1   | (R)        | Reserved                 | /             | /   |
| 0   | (R)        | Reserved                 | /             | /   |



**Table 4.** Status Register-2 (SR2)

| BIT | Name | Function                    | Default Value | Description  |
|-----|------|-----------------------------|---------------|--|
| 7   | SUS  | Suspend Status              | 0             | 0 = Erase not suspended<br>1 = Erase suspended<br>(Volatile, Read-Only)  |
| 6   | CMP  | Complement Protect          | 0             | 0 = Normal Protection Map<br>1 = Inverted Protection Map<br>(Volatile / Non-Volatile, Writable)  |
| 5   | LB3  | Security Register Lock Bits | 0             | OTP Lock Bits 3:0 for Security Registers 3:0<br>0 = Security Register not protected<br>1 = Security Register protected<br>(Volatile / Non-Volatile, OTP Writable)  |
| 4   | LB2  |                             | 0             |  |
| 3   | LB1  |                             | 0             |  |
| 2   | LB0  |                             | 0             |  |
| 1   | QE   | Quad Enable                 | 0             | 0 = Quad Mode Not Enabled, the /WP and /HOLD pins are enabled.<br>1 = Quad Mode Enabled, the IO2 and IO3 pins are enabled, and /WP and /HOLD functions are disabled<br>(Volatile / Non-Volatile, Writable) |
| 0   | SRP1 | Status Resister Protect 1   | 0             | 0 = SRP0 selects whether /WP input has effect on protection of the status register<br>1 = SRP0 selects Power Supply Lock Down or OTP Lock Down mode<br>(Volatile / Non-Volatile, Writable)                 |

**Table 5.** Status Register-1 (SR1)

| BIT | Name | Function                  | Default Value | Description   |
|-----|------|---------------------------|---------------|---|
| 7   | SRP0 | Status Resister Protect 0 | 0             | 0 = /WP input has no effect or Power Supply Lock Down mode<br>1 = /WP input can protect the Status Register or OTP Lock Down<br>(Volatile / Non-Volatile, Writable) |
| 6   | SEC  | Sector/Block Protect      | 0             | 0 = BP2-BP0 protect 64KB blocks<br>1 = BP2-BP0 protect 4KB sectors<br>(Volatile / Non-Volatile, Writable)   |
| 5   | TB   | Top/Bottom Protect        | 0             | 0 = BP2-BP0 protect from the Top down<br>1 = BP2-BP0 protect from the Bottom up<br>(Volatile / Non-Volatile, Writable)  |
| 4   | BP2  | Block Protect Bits        | 0             | 000b = No protection<br>See <a href="#">Table 8</a> and <a href="#">Table 9</a> for protection ranges<br>(Volatile / Non-Volatile, Writable)                        |
| 3   | BP1  |                           | 0             |   |
| 2   | BP0  |                           | 0             |   |
| 1   | WEL  | Write Enable Latch        | 0             | 0 = Not Write Enabled, no embedded operation can start<br>1 = Write Enabled, embedded operation can start<br>(Volatile, Read-Only)                                  |
| 0   | WIP  | Write in Progress Status  | 0             | 0 = Not Busy, no embedded operation in progress<br>1 = Busy, embedded operation in progress<br>(Volatile, Read-Only)  |





## 5.4.2 The Status and Control Bits

### 5.4.2.1 WIP bit

The Write in Progress (WIP) bit indicates whether the memory is busy in program / erase / write status register progress. When WIP bit is set to 1, means that the device is busy in program / erase / write status register progress, when WIP bit is cleared to 0, means that the device is not in program / erase / write status register progress.

### 5.4.2.2 WEL bit

The Write Enable Latch bit indicates the status of the internal Write Enable Latch. When WEL bit is set to 1 the internal Write Enable Latch is set, when WEL bit is cleared to 0 the internal Write Enable Latch is reset and no Write Status Register, Program or Erase instruction is accepted.

### 5.4.2.3 SEC, TB, BP2, BP1, BP0 bits

The Block Protect (SEC, TB, BP2, BP1, BP0) bits are non-volatile. They define the size of the area to be software protected against Program and Erase instructions. These bits are written with the Write Status Register instruction. When the Block Protect (SEC, TB, BP2, BP1, BP0) bits are set to 1, the relevant memory (as defined in [Table 8](#) and [Table 9](#)) are became protected against Page Program, Sector Erase and Block Erase instructions. The Block Protect (SEC, TB, BP2, BP1, BP0) bits can be written provided that the Hardware Protected mode has not been set.

### 5.4.2.4 SRP1, SRP0 bits

The Status Register Protect (SRP1 and SRP0) bits are non-volatile Read/Write bits in the status register. The SRP bits control the method of write protection: software protection, hardware protection, power supply lock-down or one time programmable protection.

### 5.4.2.5 QE bit

The Quad Enable (QE) bit is a non-volatile Read/Write bit in the Status Register that allows Quad SPI and QPI operation. When the QE bit is set to 0 (Default) the /WP pin and /HOLD pin are enable. When the QE pin is set to 1, the Quad IO2 and IO3 pins are enabled. (The QE bit should never be set to 1 during standard SPI or Dual SPI operation if the /WP or /HOLD pins directly to the power supply).

QE bit is required to be set to 1 before issuing an “Enter QPI (38h)” instruction to switch the device from Standard/Dual/Quad SPI mode to QPI mode; otherwise the command (38h) will be ignored. When the device is in QPI mode, QE bit will remain to be 1. A “Write Status Register” command in QPI mode cannot change QE bit from 1 to 0.

### 5.4.2.6 LB3/LB2/LB1/LB0 bit

The LB bit is a non-volatile One Time Program (OTP) bit in Status Register that provide the write protect control and status to the Security Registers. The default state of LB is 0, the security registers are unlocked. LB can be set to 1 individually using the Write Register instruction. LB is One Time Programmable, once it's set to 1, the 256byte Security Registers will become read-only permanently, LB3/2/1/0 for Security Registers 3:0.



#### 5.4.2.7 SUS bit

The SUS bit is a read only bit in the status register2 (bit7). It is set to 1 after executing an Erase Suspend (75H) instruction. The SUS bit is cleared to 0 by Erase Resume (7AH) instruction as well as a power-down, power-up cycle.

#### 5.4.2.8 Complement Protect (CMP)

The Complement Protect bit (CMP) is a non-volatile read/write bit in the status register. It is used in conjunction with SEC, TB, BP2, BP1 and BP0 bits to provide more flexibility for the array protection. Once CMP is set to 1, previous array protection set by SEC, TB, BP2, BP1 and BP0 will be reversed. For instance, when CMP=0, a top 64KB block can be protected while the rest of the array is not; when CMP=1, the top 64KB block will become unprotected while the rest of the array become read-only. Please refer to the [Status Register Memory Protection table](#) for details. The default setting is CMP=0.

#### 5.4.2.9 Write Protect Selection (WPS)

The WPS bit is used to select which Write Protect scheme should be used. When WPS=0, the device will use the combination of CMP, SEC, TB, BP[2:0] bits to protect a specific area of the memory array. When WPS=1, the device will utilize the Individual Block Locks to protect any individual sector or blocks. The default value for all Individual Block Lock bits is 1 upon device power on or after reset.

#### 5.4.2.10 Output Driver Strength (DRV1, DRV0)

The DRV1 & DRV0 bits are used to determine the output driver strength for the Read operations.

**Table 6.** Output driver strength table

| DRV1,DRV0 | Driver Strength |
|-----------|-----------------|
| 0,0       | 100%            |
| 0,1       | 75%             |
| 1,0       | 50%             |
| 1,1       | 25%             |

#### 5.4.2.11 /HOLD or /RESET Pin Function (HOLD/RST)

The HOLD/RST bit is used to determine whether /HOLD or /RESET function should be implemented on the hardware pin for 8- pin packages. When HOLD/RST=0 (factory default), the pin acts as /HOLD; when HOLD/RST=1, the pin acts as /RESET. However, /HOLD or /RESET functions are only available when QE=0. If QE is set to 1, the /HOLD and /RESET functions are disabled, the pin acts as a dedicated data I/O pin.

#### 5.4.2.12 Reserved Bits – Non Functional

There are a few reserved Status Register bits that may be read out as a “0” or “1”. It is recommended to ignore the values of those bits. During a “Write Status Register” instruction, the Reserved Bits can be written as “0”, but there will not be any effects



### 5.4.3 Status Register Protect Table

Table 7. Status Register protect table

| SRP1 | SRP0 | /WP | Status Register                       | Description  |
|------|------|-----|---------------------------------------|--|
| 0    | 0    | X   | Software Protected                    | The Status Register can be written to after a Write Enable instruction, WEL=1.(Factory Default)        |
| 0    | 1    | 0   | Hardware Protected                    | /WP=0, the Status Register locked and cannot be written.   |
| 0    | 1    | 1   | Hardware Unprotected                  | /WP=1, the Status Register is unlocked and can be written to after a Write Enable instruction, WEL=1.  |
| 1    | 0    | X   | Power Supply Lock-Down <sup>(1)</sup> | Status Register is protected and cannot be written to again until the next Power-Down, Power-Up cycle. |
| 1    | 1    | X   | One Time Program <sup>(2)</sup>       | Status Register is permanently protected and cannot be written to.                                     |

Notes:

1. When SRP1, SRP0= (1, 0), a Power-Down, Power-Up cycle will change SRP1, SRP0 to (0, 0) state.
2. The One time Program feature is available upon special order. Please contact Boya Microelectronics for details.

### 5.4.4 Write Protect Features

1. Software Protection: The Block Protect (SEC, TB, BP2, BP1, BP0) bits define the section of the memory array that can be read but not change.
2. Hardware Protection: /WP going low to protected the BP0~SEC bits and SRP0~1 bits.
3. Deep Power-Down: In Deep Power-Down Mode, all instructions are ignored except the Release from deep Power-Down Mode instruction.
4. Write Enable: The Write Enable Latch (WEL) bit must be set prior to every Page Program, Sector Erase, Block Erase, Chip Erase, Write Status Register and Erase/Program Security Registers instruction.



5.4.5 Status Register Memory Protection

5.4.5.1 Protect Table

Table 8. BY25Q128AL Status Register Memory Protection (WPS = 0, CMP = 0)

| STATUS REGISTER <sup>(1)</sup> |    |     |     |     | BY25Q128AL (128M-BIT) MEMORY PROTECTION <sup>(3)</sup> |                    |           |                        |
|--------------------------------|----|-----|-----|-----|--|--------------------|-----------|------------------------|
| SEC                            | TB | BP2 | BP1 | BP0 | PROTECTED  | PROTECTED          | PROTECTED | PROTECTED              |
|                                |    |     |     |     | BLOCK(S)   | ADDRESSES          | DENSITY   | PORTION <sup>(2)</sup> |
| X                              | X  | 0   | 0   | 0   | NONE   | NONE               | NONE      | NONE                   |
| 0                              | 0  | 0   | 0   | 1   | 252 thru 255   | FC0000h – FFFFFFFh | 256KB     | Upper 1/64             |
| 0                              | 0  | 0   | 1   | 0   | 248 thru 255   | F80000h – FFFFFFFh | 512KB     | Upper 1/32             |
| 0                              | 0  | 0   | 1   | 1   | 240 thru 255   | F00000h – FFFFFFFh | 1MB       | Upper 1/16             |
| 0                              | 0  | 1   | 0   | 0   | 224 thru 255   | E00000h – FFFFFFFh | 2MB       | Upper 1/8              |
| 0                              | 0  | 1   | 0   | 1   | 192 thru 255   | C00000h – FFFFFFFh | 4MB       | Upper 1/4              |
| 0                              | 0  | 1   | 1   | 0   | 128 thru 255   | 800000h – FFFFFFFh | 8MB       | Upper 1/2              |
| 0                              | 1  | 0   | 0   | 1   | 0 thru 3   | 000000h – 03FFFFh  | 256KB     | Lower 1/64             |
| 0                              | 1  | 0   | 1   | 0   | 0 thru 7   | 000000h – 07FFFFh  | 512KB     | Lower 1/32             |
| 0                              | 1  | 0   | 1   | 1   | 0 thru 15  | 000000h – 0FFFFFFh | 1MB       | Lower 1/16             |
| 0                              | 1  | 1   | 0   | 0   | 0 thru 31  | 000000h – 1FFFFFFh | 2MB       | Lower 1/8              |
| 0                              | 1  | 1   | 0   | 1   | 0 thru 63  | 000000h – 3FFFFFFh | 4MB       | Lower 1/4              |
| 0                              | 1  | 1   | 1   | 0   | 0 thru 127   | 000000h – 7FFFFFFh | 8MB       | Lower 1/2              |
| X                              | X  | 1   | 1   | 1   | 0 thru 255   | 000000h – FFFFFFFh | 16MB      | ALL                    |
| 1                              | 0  | 0   | 0   | 1   | 255  | FFF000h – FFFFFFFh | 4KB       | U - 1/4096             |
| 1                              | 0  | 0   | 1   | 0   | 255  | FFE000h – FFFFFFFh | 8KB       | U - 1/2048             |
| 1                              | 0  | 0   | 1   | 1   | 255  | FFC000h – FFFFFFFh | 16KB      | U - 1/1024             |
| 1                              | 0  | 1   | 0   | X   | 255  | FF8000h – FFFFFFFh | 32KB      | U - 1/512              |
| 1                              | 0  | 1   | 1   | 0   | 255  | FF0000h – FFFFFFFh | 64KB      | U - 1/256              |
| 1                              | 1  | 0   | 0   | 1   | 0  | 000000h – 000FFFh  | 4KB       | L - 1/4096             |
| 1                              | 1  | 0   | 1   | 0   | 0  | 000000h – 001FFFh  | 8KB       | L - 1/2048             |
| 1                              | 1  | 0   | 1   | 1   | 0  | 000000h – 003FFFh  | 16KB      | L - 1/1024             |
| 1                              | 1  | 1   | 0   | X   | 0  | 000000h – 007FFFh  | 32KB      | L - 1/512              |
| 1                              | 1  | 1   | 1   | 0   | 0  | 000000h – 00FFFFh  | 64KB      | L - 1/256              |

Notes:

1. X = don't care
2. L = Lower; U = Upper
3. If any Erase or Program command specifies a memory region that contains protected data portion, this command will be ignored.



**Table 9.** Status Register Memory Protection (WPS = 0, CMP = 1)

| STATUS REGISTER <sup>(1)</sup> |    |     |     |     | BY25Q128AL (128M-BIT) MEMORY PROTECTION <sup>(3)</sup> |                    |           |                        |
|--------------------------------|----|-----|-----|-----|--|--------------------|-----------|------------------------|
| SEC                            | TB | BP2 | BP1 | BP0 | PROTECTED  | PROTECTED          | PROTECTED | PROTECTED              |
|                                |    |     |     |     | BLOCK(S)   | ADDRESSES          | DENSITY   | PORTION <sup>(2)</sup> |
| X                              | X  | 0   | 0   | 0   | 0 thru 255   | 000000h - FFFFFFFh | 16MB      | ALL                    |
| 0                              | 0  | 0   | 0   | 1   | 0 thru 251   | 000000h - FBFFFFh  | 16,128KB  | Lower 63/64            |
| 0                              | 0  | 0   | 1   | 0   | 0 thru 247   | 000000h - F7FFFFh  | 15,872KB  | Lower 31/32            |
| 0                              | 0  | 0   | 1   | 1   | 0 thru 239   | 000000h - EFFFFFFh | 15MB      | Lower 15/16            |
| 0                              | 0  | 1   | 0   | 0   | 0 thru 223   | 000000h - DFFFFFFh | 14MB      | Lower 7/8              |
| 0                              | 0  | 1   | 0   | 1   | 0 thru 191   | 000000h - BFFFFFFh | 12MB      | Lower 3/4              |
| 0                              | 0  | 1   | 1   | 0   | 0 thru 127   | 000000h - 7FFFFFFh | 8MB       | Lower 1/2              |
| 0                              | 1  | 0   | 0   | 1   | 4 thru 255   | 040000h - FFFFFFFh | 16,128KB  | Upper 63/64            |
| 0                              | 1  | 0   | 1   | 0   | 8 thru 255   | 080000h - FFFFFFFh | 15,872KB  | Upper 31/32            |
| 0                              | 1  | 0   | 1   | 1   | 16 thru 255  | 100000h - FFFFFFFh | 15MB      | Upper 15/16            |
| 0                              | 1  | 1   | 0   | 0   | 32 thru 255  | 200000h - FFFFFFFh | 14MB      | Upper 7/8              |
| 0                              | 1  | 1   | 0   | 1   | 64 thru 255  | 400000h - FFFFFFFh | 12MB      | Upper 3/4              |
| 0                              | 1  | 1   | 1   | 0   | 128 thru 255   | 800000h - FFFFFFFh | 8MB       | Upper 1/2              |
| X                              | X  | 1   | 1   | 1   | NONE   | NONE               | NONE      | NONE                   |
| 1                              | 0  | 0   | 0   | 1   | 0 thru 255   | 000000h - FFEFFFFh | 16,380KB  | L - 4095/4096          |
| 1                              | 0  | 0   | 1   | 0   | 0 thru 255   | 000000h - FFDFFFFh | 16,376KB  | L - 2047/2048          |
| 1                              | 0  | 0   | 1   | 1   | 0 thru 255   | 000000h - FFBFFFFh | 16,368KB  | L - 1023/1024          |
| 1                              | 0  | 1   | 0   | X   | 0 thru 255   | 000000h - FF7FFFh  | 16,352KB  | L - 511/512            |
| 1                              | 0  | 1   | 1   | 0   | 0 thru 255   | 000000h - FEFFFFh  | 16,320KB  | L - 255/256            |
| 1                              | 1  | 0   | 0   | 1   | 0 thru 255   | 001000h - FFFFFFFh | 16,380KB  | U - 4095/4096          |
| 1                              | 1  | 0   | 1   | 0   | 0 thru 255   | 002000h - FFFFFFFh | 16,376KB  | U - 2047/2048          |
| 1                              | 1  | 0   | 1   | 1   | 0 thru 255   | 004000h - FFFFFFFh | 16,368KB  | U - 1023/1024          |
| 1                              | 1  | 1   | 0   | X   | 0 thru 255   | 008000h - FFFFFFFh | 16,352KB  | U - 511/512            |
| 1                              | 1  | 1   | 1   | 0   | 1 thru 255   | 010000h - FFFFFFFh | 16,320KB  | U-255/256              |

Notes:

1. X = don't care
2. L = Lower; U = Upper
3. If any Erase or Program command specifies a memory region that contains protected data portion, this command will be ignored.



## 6. Device Identification

Three legacy Instructions (9Fh/90h/ABh) and 2 new instructions(92h/94h) in Dual/Quad SPI mode are supported to access device identification that can indicate the manufacturer, device type, and capacity (density). The returned data bytes provide the information as shown in the below table.

**Table 10.** BY25Q128AL ID Definition table

| Operation Code | M7-M0 | ID15-ID8 | ID7-ID0 |
|----------------|-------|----------|---------|
| 9Fh            | E0    | 60       | 18      |
| 90h / 92h /94h | E0    |          | 17      |
| ABh            |       |          | 17      |



## 7. Instructions Description

All instructions, addresses and data are shifted in and out of the device, beginning with the most significant bit on the first rising edge of SCLK after /CS is driven low. Then, the one byte instruction code must be shifted in to the device, most significant bit first on SI, each bit being latched on the rising edges of SCLK.

See [Table 11/12/13](#), every instruction sequence starts with a one-byte instruction code. Depending on the instruction, this might be followed by address bytes, or by data bytes, or by both or none. /CS must be driven high after the last bit of the instruction sequence has been shifted in. For the instruction of Read, Fast Read, Read Status Register or Release from Deep Power Down, and Read Device ID, the shifted-in instruction sequence is followed by a data out sequence. /CS can be driven high after any bit of the data-out sequence is being shifted out.

For the instruction of Page Program, Sector Erase, Block Erase, Chip Erase, Write Status Register, Write Enable, Write Disable or Deep Power-Down instruction, /CS must be driven high exactly at a byte boundary, otherwise the instruction is rejected, and is not executed. That is /CS must drive high when the number of clock pulses after /CS being driven low is an exact multiple of eight. For Page Program, if at any time the input byte is not a full byte, nothing will happen and WEL will not be reset.



**Table 11.** Instruction Set Table 1 (Standard/Dual/Quad SPI Instructions)<sup>(1)</sup>

| Instruction Name                       | Byte 1  | Byte 2                   | Byte 3     | Byte 4                   | Byte 5                   | Byte 6                   |
|--|---------|--------------------------|------------|--------------------------|--------------------------|--------------------------|
| Write Enable                           | 06h     |                          |            |                          |                          |                          |
| Volatile SR Write Enable               | 50h     |                          |            |                          |                          |                          |
| Write Disable                          | 04h     |                          |            |                          |                          |                          |
| Read Status Register-1                 | 05h     | (S7-S0) <sup>(2)</sup>   |            |                          |                          |                          |
| Write Status Register-1 <sup>(4)</sup> | 01h     | (S7-S0) <sup>(4)</sup>   |            |                          |                          |                          |
| Read Status Register-2                 | 35h     | (S15-S8) <sup>(2)</sup>  |            |                          |                          |                          |
| Write Status Register-2                | 31h     | (S15-S8)                 |            |                          |                          |                          |
| Read Status Register-3                 | 15h     | (S23-S16) <sup>(2)</sup> |            |                          |                          |                          |
| Write Status Register-3                | 11h     | (S23-S16)                |            |                          |                          |                          |
| Chip Erase                             | C7h/60h |                          |            |                          |                          |                          |
| Erase Suspend                          | 75h     |                          |            |                          |                          |                          |
| Erase Resume                           | 7Ah     |                          |            |                          |                          |                          |
| Power-down                             | B9h     |                          |            |                          |                          |                          |
| Release Power-down / ID                | ABh     | Dummy                    | Dummy      | Dummy                    | (ID7-ID0) <sup>(2)</sup> |                          |
| Manufacturer/Device ID                 | 90h     | Dummy                    | Dummy      | 00h                      | (MF7-MF0)                | (ID7-ID0) <sup>(2)</sup> |
| JEDEC ID                               | 9Fh     | (MF7-MF0)                | (ID15-ID8) | (ID7-ID0) <sup>(2)</sup> |                          |                          |
| Global Block Lock                      | 7Eh     |                          |            |                          |                          |                          |
| Global Block Unlock                    | 98h     |                          |            |                          |                          |                          |
| Enter QPI Mode                         | 38h     |                          |            |                          |                          |                          |
| Enable Reset                           | 66h     |                          |            |                          |                          |                          |
| Reset Device                           | 99h     |                          |            |                          |                          |                          |
| Instruction Name                       | Byte 1  | Byte 2                   | Byte 3     | Byte 4                   | Byte 5                   | Byte 6 ~ Byte 13         |
| Read Unique ID                         | 4Bh     | Dummy                    | Dummy      | Dummy                    | Dummy                    | (UID63-UID0)             |





**Table 12.** Instruction Set Table 2 (Standard/Dual/Quad SPI Instructions) <sup>(1)</sup>

| Instruction Name                         | Byte 1 | Byte 2                 | Byte 3                | Byte 4               | Byte 5                  | Byte 6                   | Byte 7                 | Byte 8                   | Byte 9                   |
|--|--------|------------------------|-----------------------|----------------------|-------------------------|--------------------------|------------------------|--------------------------|--------------------------|
| Page Program                             | 02h    | A23-A16                | A15-A8                | A7-A0                | D7-D0 <sup>(3)</sup>    | Next bytes               |                        |                          |                          |
| Quad Page Program                        | 32h    | A23-A16                | A15-A8                | A7-A0                | D7-D0 <sup>(3)(9)</sup> | Next bytes               |                        |                          |                          |
| Sector Erase (4KB)                       | 20h    | A23-A16                | A15-A8                | A7-A0                |                         |                          |                        |                          |                          |
| Block Erase (32KB)                       | 52h    | A23-A16                | A15-A8                | A7-A0                |                         |                          |                        |                          |                          |
| Block Erase (64KB)                       | D8h    | A23-A16                | A15-A8                | A7-A0                |                         |                          |                        |                          |                          |
| Read Data                                | 03h    | A23-A16                | A15-A8                | A7-A0                | (D7-D0)                 | (D7-D0)                  | Next bytes             |                          |                          |
| Fast Read                                | 0Bh    | A23-A16                | A15-A8                | A7-A0                | Dummy                   | (D7-D0)                  | Next bytes             |                          |                          |
| Fast Read Dual Output                    | 3Bh    | A23-A16                | A15-A8                | A7-A0                | Dummy                   | (D7-D0) <sup>(7)</sup>   | Next bytes             |                          |                          |
| Fast Read Quad Output                    | 6Bh    | A23-A16                | A15-A8                | A7-A0                | Dummy                   | (D7-D0) <sup>(9)</sup>   | Next bytes             |                          |                          |
| Erase Security Register <sup>(5)</sup>   | 44h    | A23-A16                | A15-A8                | A7-A0                |                         |                          |                        |                          |                          |
| Program Security Register <sup>(5)</sup> | 42h    | A23-A16                | A15-A8                | A7-A0                | D7-D0 <sup>(3)</sup>    | Next bytes               |                        |                          |                          |
| Read Security Register <sup>(5)</sup>    | 48h    | A23-A16                | A15-A8                | A7-A0                | Dummy                   | (D7-D0)                  | Next bytes             |                          |                          |
| Individual Block Lock                    | 36h    | A23-A16                | A15-A8                | A7-A0                |                         |                          |                        |                          |                          |
| Individual Block Unlock                  | 39h    | A23-A16                | A15-A8                | A7-A0                |                         |                          |                        |                          |                          |
| Read Block Lock                          | 3Dh    | A23-A16                | A15-A8                | A7-A0                | (L7-L0)                 |                          |                        |                          |                          |
| Fast Read Dual I/O                       | BBh    | A23-A16 <sup>(6)</sup> | A15-A8 <sup>(6)</sup> | A7-A0 <sup>(6)</sup> | M7-M0 <sup>(6)</sup>    | (D7-D0) <sup>(7)</sup>   |                        |                          |                          |
| Mftr./Device ID Dual I/O                 | 92h    | A23-A16 <sup>(6)</sup> | A15-A8 <sup>(6)</sup> | A7-A0 <sup>(6)</sup> | M7-M0 <sup>(6)</sup>    | (MF7-MF0) <sup>(7)</sup> | (D7-D0) <sup>(7)</sup> |                          |                          |
| Set Burst with Wrap                      | 77h    | Dummy                  | Dummy                 | Dummy                | W8-W0                   |                          |                        |                          |                          |
| Fast Read Quad I/O <sup>(10)</sup>       | EBh    | A23-A16 <sup>(8)</sup> | A15-A8 <sup>(8)</sup> | A7-A0 <sup>(8)</sup> | M7-M0 <sup>(8)</sup>    | Dummy                    | Dummy                  | (D7-D0) <sup>(9)</sup>   | Next byte                |
| Word Read Quad I/O <sup>(11) (12)</sup>  | E7h    | A23-A16 <sup>(8)</sup> | A15-A8 <sup>(8)</sup> | A7-A0 <sup>(8)</sup> | M7-M0 <sup>(8)</sup>    | Dummy                    | (D7-D0) <sup>(9)</sup> | Next bytes               |                          |
| Octal Word Read Quad I/O <sup>(13)</sup> | E3h    | A23-A16 <sup>(8)</sup> | A15-A8 <sup>(8)</sup> | A7-A0 <sup>(8)</sup> | M7-M0 <sup>(8)</sup>    | (D7-D0) <sup>(9)</sup>   | Next bytes             |                          |                          |
| Mftr./Device ID Quad I/O                 | 94h    | A23-A16 <sup>(8)</sup> | A15-A8 <sup>(8)</sup> | A7-A0 <sup>(8)</sup> | M7-M0 <sup>(8)</sup>    | Dummy                    | Dummy                  | (MF7-MF0) <sup>(9)</sup> | (ID7-ID0) <sup>(9)</sup> |



**Table 13.** Instruction Set Table 3 (QPI Instructions) <sup>(14)</sup>

| Instruction Name                       | Byte 1  | Byte 2                   | Byte 3                    | Byte 4                   | Byte 5                   | Byte 6                   |
|--|---------|--------------------------|---------------------------|--------------------------|--------------------------|--------------------------|
| Write Enable                           | 06h     |                          |                           |                          |                          |                          |
| Volatile SR Write Enable               | 50h     |                          |                           |                          |                          |                          |
| Write Disable                          | 04h     |                          |                           |                          |                          |                          |
| Read Status Register-1                 | 05h     | (S7-S0) <sup>(2)</sup>   |                           |                          |                          |                          |
| Write Status Register-1 <sup>(4)</sup> | 01h     | (S7-S0) <sup>(4)</sup>   |                           |                          |                          |                          |
| Read Status Register-2                 | 35h     | (S15-S8) <sup>(2)</sup>  |                           |                          |                          |                          |
| Write Status Register-2                | 31h     | (S15-S8)                 |                           |                          |                          |                          |
| Read Status Register-3                 | 15h     | (S23-S16) <sup>(2)</sup> |                           |                          |                          |                          |
| Write Status Register-3                | 11h     | (S23-S16)                |                           |                          |                          |                          |
| Chip Erase                             | C7h/60h |                          |                           |                          |                          |                          |
| Erase Suspend                          | 75h     |                          |                           |                          |                          |                          |
| Erase Resume                           | 7Ah     |                          |                           |                          |                          |                          |
| Power-down                             | B9h     |                          |                           |                          |                          |                          |
| Set Read Parameters                    | C0h     | P7-P0                    |                           |                          |                          |                          |
| Release Powerdown / ID                 | ABh     | Dummy                    | Dummy                     | Dummy                    | (ID7-ID0) <sup>(2)</sup> |                          |
| Manufacturer/Device ID                 | 90h     | Dummy                    | Dummy                     | 00h                      | (MF7-MF0) <sup>(2)</sup> | (ID7-ID0) <sup>(2)</sup> |
| JEDEC ID                               | 9Fh     | (MF7-MF0) <sup>(2)</sup> | (ID15-ID8) <sup>(2)</sup> | (ID7-ID0) <sup>(2)</sup> |                          |                          |
| Global Block Lock                      | 7Eh     |                          |                           |                          |                          |                          |
| Global Block Unlock                    | 98h     |                          |                           |                          |                          |                          |
| Exit QPI Mode                          | FFh     |                          |                           |                          |                          |                          |
| Enable Reset                           | 66h     |                          |                           |                          |                          |                          |
| Reset Device                           | 99h     |                          |                           |                          |                          |                          |
| Page Program                           | 02h     | A23-A16                  | A15-A8                    | A7-A0                    | D7-D0 <sup>(3)(9)</sup>  | Next bytes               |
| Sector Erase (4KB)                     | 20h     | A23-A16                  | A15-A8                    | A7-A0                    |                          |                          |
| Block Erase (32KB)                     | 52h     | A23-A16                  | A15-A8                    | A7-A0                    |                          |                          |
| Block Erase (64KB)                     | D8h     | A23-A16                  | A15-A8                    | A7-A0                    |                          |                          |
| Fast Read                              | 0Bh     | A23-A16                  | A15-A8                    | A7-A0                    | Dummy <sup>(15)</sup>    | (D7-D0)                  |
| Burst Read with Wrap <sup>(16)</sup>   | 0Ch     | A23-A16                  | A15-A8                    | A7-A0                    | Dummy <sup>(15)</sup>    | (D7-D0)                  |
| Fast Read Quad I/O                     | EBh     | A23-A16                  | A15-A8                    | A7-A0                    | M7-M0 <sup>(15)</sup>    | (D7-D0)                  |
| Individual Block Lock                  | 36h     | A23-A16                  | A15-A8                    | A7-A0                    |                          |                          |
| Individual Block Unlock                | 39h     | A23-A16                  | A15-A8                    | A7-A0                    |                          |                          |
| Read Block Lock                        | 3Dh     | A23-A16                  | A15-A8                    | A7-A0                    | (L7-L0)                  |                          |

Notes:

1. Data bytes are shifted with Most Significant Bit first. Byte fields with data in parenthesis “( )” indicate data output from the device on 1, 2 or 4 IO pins.
2. The Status Register contents and Device ID will repeat continuously until /CS terminates the instruction.
3. At least one byte of data input is required for Page Program, Quad Page Program and Program Security Registers, up to 256 bytes of data input. If more than 256 bytes of data are sent to the device, the addressing will wrap to the beginning of the page and overwrite previously sent data.
4. Write Status Register-1 (01h) can also be used to program Status Register-1&2, see [section 7.1.5](#).



5. Security Register Address:

|                     |              |             |                     |
|---------------------|--------------|-------------|---------------------|
| Security Register 0 | A23-16 = 00h | A15-8 = 00h | A7-0 = byte address |
| Security Register 1 | A23-16 = 00h | A15-8 = 10h | A7-0 = byte address |
| Security Register 2 | A23-16 = 00h | A15-8 = 20h | A7-0 = byte address |
| Security Register 3 | A23-16 = 00h | A15-8 = 30h | A7-0 = byte address |

6. Dual SPI address input format:

IO0 = A22, A20, A18, A16, A14, A12, A10, A8, A6, A4, A2, A0, M6, M4, M2, M0

IO1 = A23, A21, A19, A17, A15, A13, A11, A9, A7, A5, A3, A1, M7, M5, M3, M1

7. Dual SPI data output format:

IO0 = (D6, D4, D2, D0)

IO1 = (D7, D5, D3, D1)

8. Quad SPI address input format:

IO0 = A20, A16, A12, A8, A4, A0, M4, M0

IO1 = A21, A17, A13, A9, A5, A1, M5, M1

IO2 = A22, A18, A14, A10, A6, A2, M6, M2

IO3 = A23, A19, A15, A11, A7, A3, M7, M3

9. Quad SPI data input/output format:

IO0 = (D4, D0, .....)

IO1 = (D5, D1, .....)

IO2 = (D6, D2, .....)

IO3 = (D7, D3, .....)

10. Fast Read Quad I/O data output format:

IO0 = (x, x, x, x, D4, D0, D4, D0)

IO1 = (x, x, x, x, D5, D1, D5, D1)

IO2 = (x, x, x, x, D6, D2, D6, D2)

IO3 = (x, x, x, x, D7, D3, D7, D3)

11. Word Read Quad I/O data output format:

IO0 = (x, x, D4, D0, D4, D0, D4, D0)

IO1 = (x, x, D5, D1, D5, D1, D5, D1)

IO2 = (x, x, D6, D2, D6, D2, D6, D2)

IO3 = (x, x, D7, D3, D7, D3, D7, D3)

12. For Word Read Quad I/O, the lowest address bit must be 0. (A0 = 0)

13. For Octal Word Read Quad I/O, the lowest four address bits must be 0. (A3, A2, A1, A0 = 0)

14. QPI Command, Address, Data input/output format:

| CLK # | 0       | 1 | 2         | 3 | 4         | 5 | 6       | 7 | 8       | 9 | 10     | 11 |
|-------|---------|---|-----------|---|-----------|---|---------|---|---------|---|--------|----|
| IO0 = | C4, C0, |   | A20, A16, |   | A12, A8,  |   | A4, A0, |   | D4, D0, |   | D4, D0 |    |
| IO1 = | C5, C1, |   | A21, A17, |   | A13, A9,  |   | A5, A1, |   | D5, D1, |   | D5, D1 |    |
| IO2 = | C6, C2, |   | A22, A18, |   | A14, A10, |   | A6, A2, |   | D6, D2, |   | D6, D2 |    |
| IO3 = | C7, C3, |   | A23, A19, |   | A15, A11, |   | A7, A3, |   | D7, D3, |   | D7, D3 |    |

15. The number of dummy clocks for QPI Fast Read, QPI Fast Read Quad I/O & QPI Burst Read with Wrap is controlled by read parameter P7 – P4.

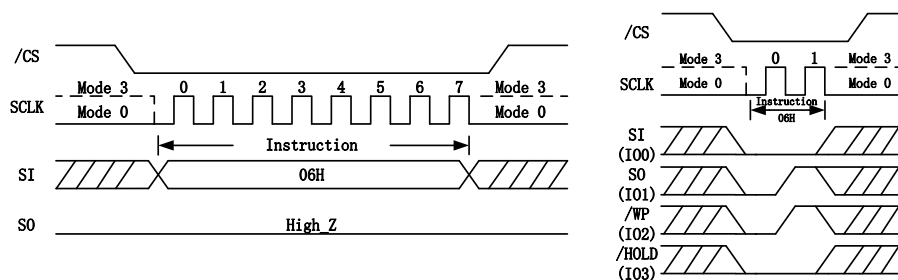
16. The wrap around length for QPI Burst Read with Wrap is controlled by read parameter P3 – P0.

## 7.1 Configuration and Status Instructions

### 7.1.1 Write Enable (06H)

The Write Enable instruction ([Figure 7.1.1](#)) sets the Write Enable Latch (WEL) bit in the Status Register to a 1. The WEL bit must be set prior to every Page Program, Quad Page Program, Sector Erase, Block Erase, Chip Erase, Write Status Register and Erase/Program Security Registers instruction. The Write Enable instruction is entered by driving /CS low, shifting the instruction code “06h” into the Serial Input (SI) pin on the rising edge of SCLK, and then driving /CS high.

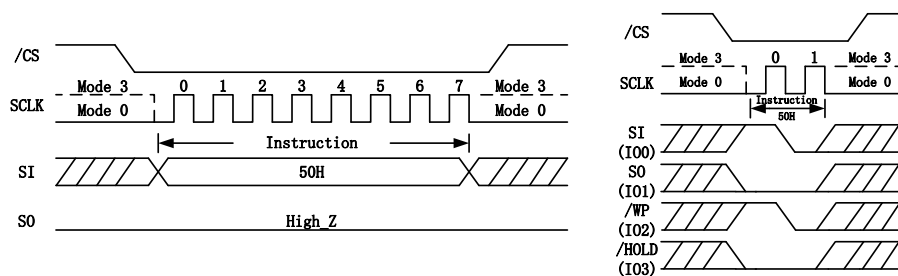
**Figure 7.1.1.** Write Enable Instruction for SPI Mode (left) or QPI Mode (right)



### 7.1.2 Write Enable for Volatile Status Register (50h)

The non-volatile Status Register bits described in [section 5.4](#) can also be written to as volatile bits. This gives more flexibility to change the system configuration and memory protection schemes quickly without waiting for the typical non-volatile bit write cycles or affecting the endurance of the Status Register non-volatile bits. To write the volatile values into the Status Register bits, the Write Enable for Volatile Status Register (50h) instruction must be issued prior to a Write Status Register (01h) instruction. Write Enable for Volatile Status Register instruction ([Figure 7.1.2](#)) will not set the Write Enable Latch (WEL) bit, it is only valid for the Write Status Register instruction to change the volatile Status Register bit values.

**Figure 7.1.2.** Write Enable for Volatile Status Register Instruction for SPI Mode (left) or QPI Mode (right)

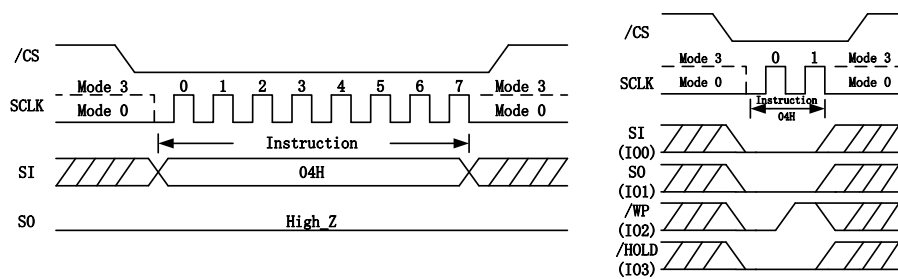




### 7.1.3 Write Disable (04h)

The Write Disable instruction ([Figure 7.1.3](#)) resets the Write Enable Latch (WEL) bit in the Status Register to 0. The Write Disable instruction is entered by driving /CS low, shifting the instruction code “04h” into the SI pin and then driving /CS high. Note that the WEL bit is automatically reset after Power-up and upon completion of the Write Status Register, Erase/Program Security Registers, Page Program, Quad Page Program, Sector Erase, Block Erase, Chip Erase and Reset instructions.

**Figure 7.1.3.** Write Disable Instruction for SPI Mode (left) or QPI Mode (right)





7.1.4 Read Status Register-1 (05h), Status Register-2 (35h) & Status Register-3 (15h)

The Read Status Register instructions allow the 8-bit Status Registers to be read. The instruction is entered by driving /CS low and shifting the instruction code “05h” for Status Register-1, “35h” for Status Register -2 or “15h” for Status Register-3 into the SI pin on the rising edge of SCLK. The status register bits are then shifted out on the SO pin at the falling edge of SCLK with most significant bit (MSB) first as shown in Figure 7.1.4a(SPI mode) and Figure 7.1.4b(QPI mode). Refer to section 5.4 for Status Register descriptions.

The Read Status Register instruction may be used at any time, even while a Program, Erase or Write Status Register cycle is in progress. This allows the BUSY status bit to be checked to determine when the cycle is complete and if the device can accept another instruction. The Status Register can be read continuously, as shown in Figure 7.1.4a(SPI mode) and Figure 7.1.4b(QPI mode). The instruction is completed by driving /CS high.

Figure 7.1.4a. Read Status Register Instruction (SPI Mode)

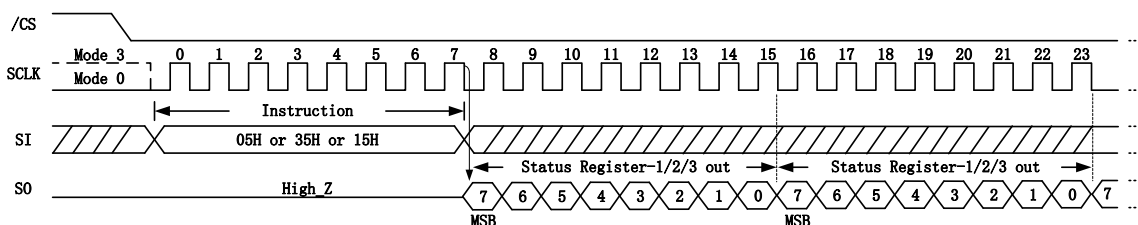
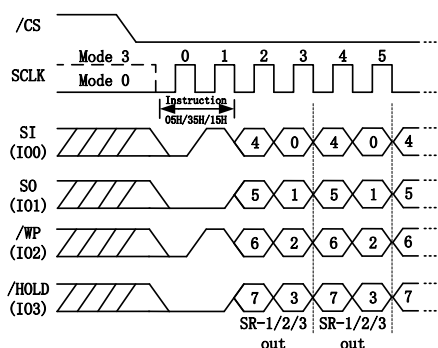


Figure 7.1.4b. Read Status Register Instruction (QPI Mode)





7.1.5 Write Status Register-1 (01h), Status Register-2 (31h) & Status Register-3 (11h)

The Write Status Register instruction allows the Status Registers to be written. The writable Status Register bits include: SRP0, SEC, TB, BP[2:0] in Status Register-1; CMP, LB[3:0], QE, SRP1 in Status Register- 2; HOLD/RST, DRV1, DRV0, WPS in Status Register-3. All other Status Register bit locations are read-only and will not be affected by the Write Status Register instruction. LB[3:0] are non-volatile OTP bits, once it is set to 1, it cannot be cleared to 0.

To write non-volatile Status Register bits, a standard Write Enable (06h) instruction must previously have been executed for the device to accept the Write Status Register instruction (Status Register bit WEL must equal 1). Once write enabled, the instruction is entered by driving /CS low, sending the instruction code "01h/31h/11h", and then writing the status register data byte as illustrated in Figure 7.1.5a(SPI mode) & Figure 7.1.5b(QPI mode).

To write volatile Status Register bits, a Write Enable for Volatile Status Register (50h) instruction must have been executed prior to the Write Status Register instruction (Status Register bit WEL remains 0). However, SRP1 and LB[3:0] cannot be changed from "1" to "0" because of the OTP protection for these bits. Upon power off or the execution of a Software/Hardware Reset, the volatile Status Register bit values will be lost, and the non-volatile Status Register bit values will be restored.

During non-volatile Status Register write operation (06h combined with 01h/31h/11h), after /CS is driven high, the self-timed Write Status Register cycle will commence for a time duration of tW (See AC Characteristics). While the Write Status Register cycle is in progress, the Read Status Register instruction may still be accessed to check the status of the BUSY bit. The BUSY bit is a 1 during the Write Status Register cycle and a 0 when the cycle is finished and ready to accept other instructions again. After the Write Status Register cycle has finished, the Write Enable Latch (WEL) bit in the Status Register will be cleared to 0.

During volatile Status Register write operation (50h combined with 01h/31h/11h), after /CS is driven high, the Status Register bits will be refreshed to the new values within the time period of tSHSL2 (See AC Characteristics). BUSY bit will remain 0 during the Status Register bit refresh period.

The Write Status Register instruction can be used in both SPI mode and QPI mode. However, the QE bit cannot be written to when the device is in the QPI mode, because QE=1 is required for the device to enter and operate in the QPI mode.

Refer to section 5.4 for Status Register descriptions. Factory default for all status Register bits are 0.

Figure 7.1.5a. Write Status Register-1/2/3 Instruction (SPI Mode)

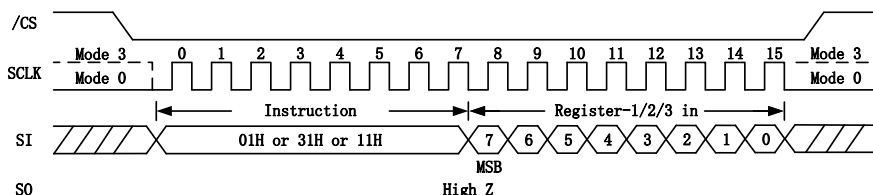
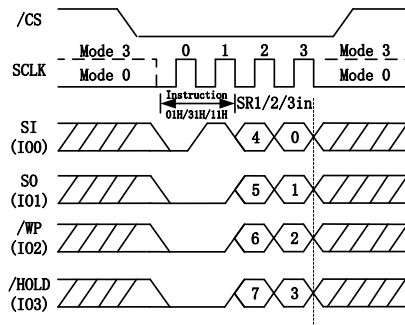




Figure 7.1.5b. Write Status Register-1/2/3 Instruction (QPI Mode)



The BY25Q128AL is also backward compatible to BoyaMicro’s previous generations of serial flash memories, in which the Status Register-1&2 can be written using a single “Write Status Register-1 (01h)” command. To complete the Write Status Register- 1&2 instruction, the /CS pin must be driven high after the sixteenth bit of data that is clocked in as shown in [Figure 7.1.5c](#)(SPI mode) & [Figure 7.1.5d](#)(QPI mode). If /CS is driven high after the eighth clock, the Write Status Register-1 (01h) instruction will only program the Status Register-1, the Status Register-2 will not be affected (Previous generations will clear CMP and QE bits).

Figure 7.1.5c. Write Status Register-1/2 Instruction (SPI Mode)

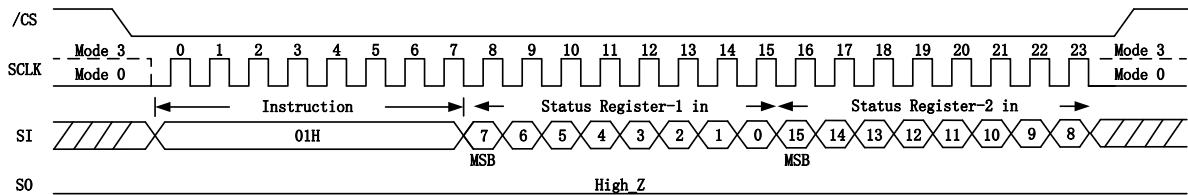
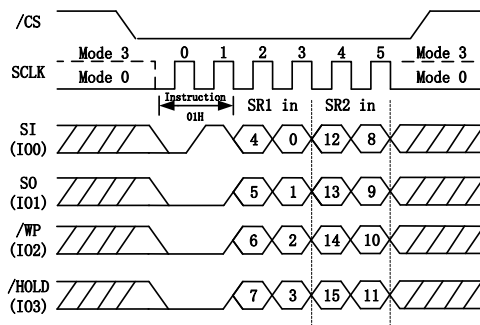


Figure 7.1.5d. Write Status Register-1/2 Instruction (QPI Mode)







## 7.2 Read Instructions

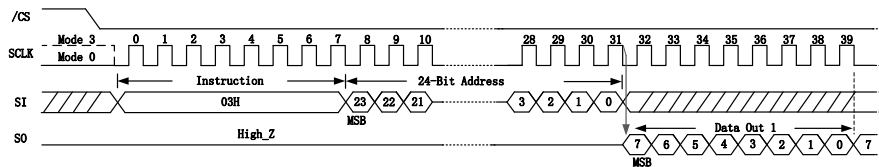
### 7.2.1 Read Data (03H)

The Read Data instruction allows one or more data bytes to be sequentially read from the memory. The instruction is initiated by driving the /CS pin low and then shifting the instruction code “03h” followed by a 24-bit address (A23-A0) into the SI pin. The code and address bits are latched on the rising edge of the SCLK pin. After the address is received, the data byte of the addressed memory location will be shifted out on the SO pin at the falling edge of SCLK with most significant bit (MSB) first. The address is automatically incremented to the next higher address after each byte of data is shifted out allowing for a continuous stream of data. This means that the entire memory can be accessed with a single instruction as long as the clock continues. The instruction is completed by driving /CS high.

The Read Data instruction sequence is shown in [Figure 7.2.1](#). If a Read Data instruction is issued while an Erase, Program or other Write cycle is in process (BUSY=1) the instruction is ignored and will not have any effects on the current cycle. The Read Data instruction allows clock rates from D.C. to a maximum of fR (see [AC Electrical Characteristics](#)).

The Read Data (03h) instruction is only supported in Standard SPI mode.

Figure 7.2.1. Read Data Instruction (SPI Mode only)

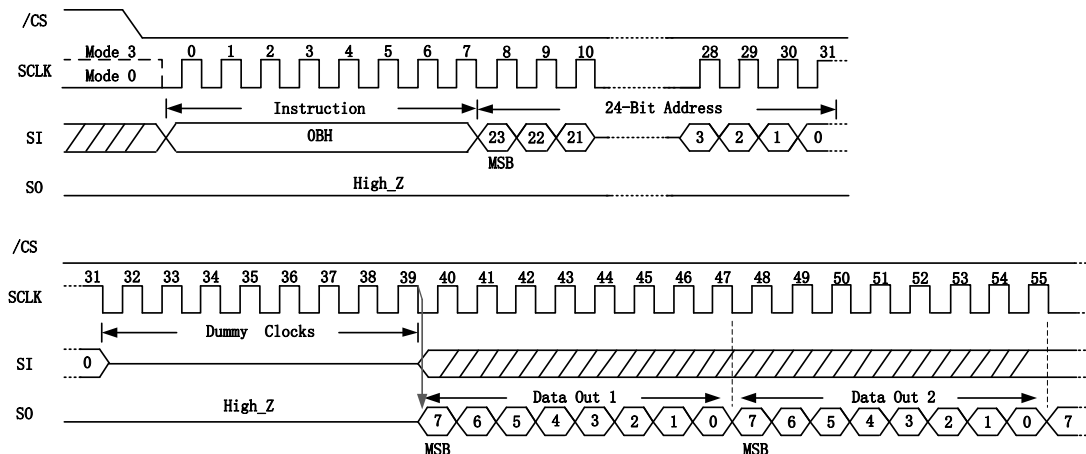




### 7.2.2 Fast Read (0BH)

The Fast Read instruction is similar to the *Read Data* instruction except that it can operate at the highest possible frequency of FR (see *AC Electrical Characteristics*). In standard SPI mode, this is accomplished by adding eight “dummy” clocks after the 24-bit address as shown in *Figure 7.2.2a*. The dummy clocks allow the devices internal circuits additional time for setting up the initial address. During the dummy clocks the data value on the SO pin is a “don’t care”.

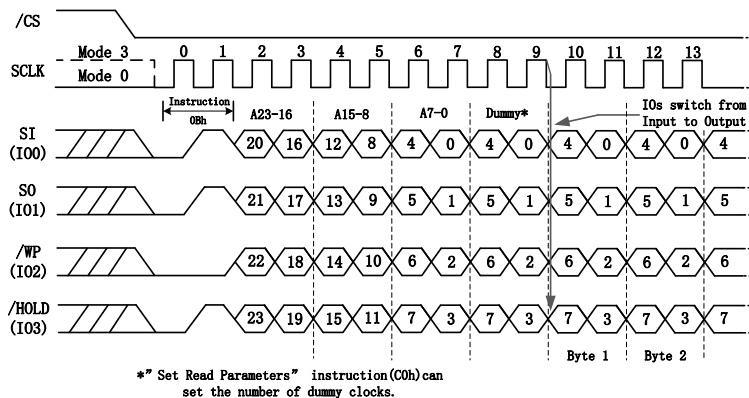
Figure 7.2.2a. Fast Read Instruction (SPI Mode)



### Fast Read (0Bh) in QPI Mode

The Fast Read instruction is also supported in QPI mode. When QPI mode is enabled, the number of dummy clocks is configured by the “*Set Read Parameters (C0h)*” instruction to accommodate a wide range of applications with different needs for either maximum Fast Read frequency or minimum data access latency. Depending on the Read Parameter Bits P[5:4] setting, the number of dummy clocks can be configured as either 2, 4, 6 or 8. The default number of dummy clocks upon power up or after a Reset instruction is 2.

Figure 7.2.2b. Fast Read Instruction (QPI Mode)



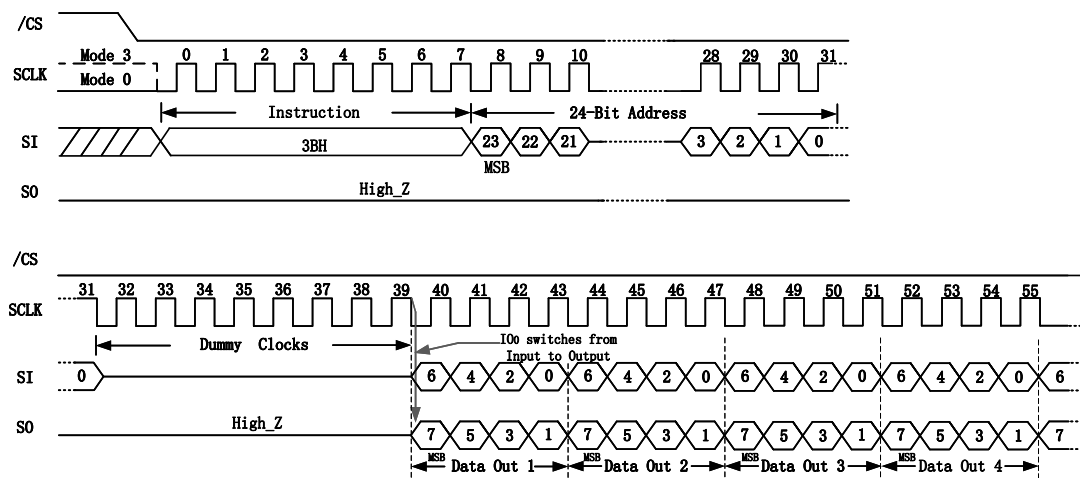


### 7.2.3 Fast Read Dual Output (3Bh)

The Fast Read Dual Output (3Bh) instruction is similar to the standard *Fast Read (0Bh)* instruction except that data is output on two pins; SI and SO. This allows data to be transferred at twice the rate of standard SPI devices. The Fast Read Dual Output instruction is ideal for quickly downloading code from Flash to RAM upon power-up or for applications that cache code-segments to RAM for execution.

Similar to the Fast Read instruction, the Fast Read Dual Output instruction can operate at the highest possible frequency of FR (see *AC Electrical Characteristics*). This is accomplished by adding eight “dummy” clocks after the 24-bit address as shown in *Figure 7.2.3*. The dummy clocks allow the device's internal circuits additional time for setting up the initial address. The input data during the dummy clocks is “don't care”. However, the SI pin should be high-impedance prior to the falling edge of the first data out clock.

Figure 7.2.3. Fast Read Dual Output Instruction (SPI Mode only)



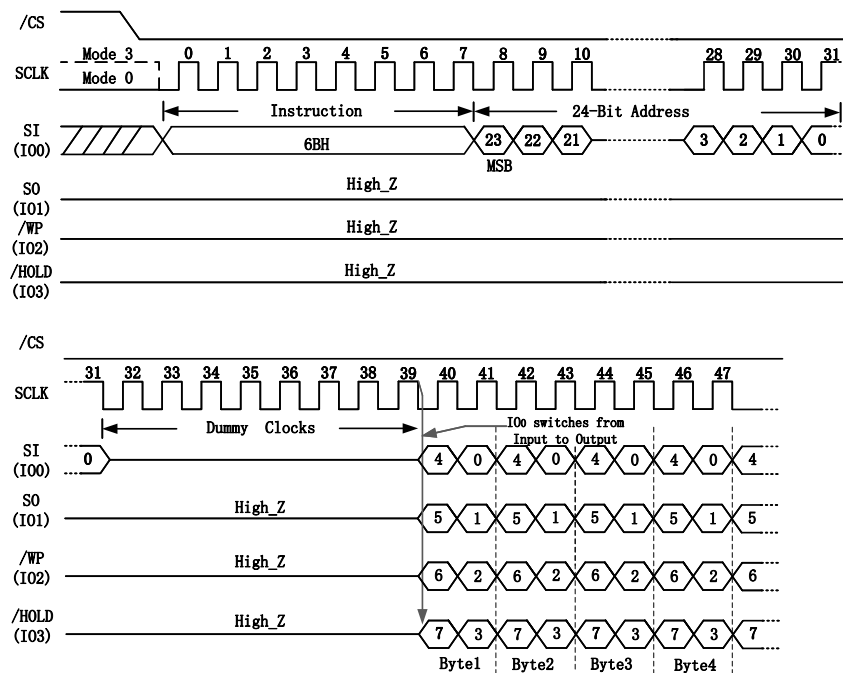


### 7.2.4 Fast Read Quad Output (6Bh)

The Fast Read Quad Output (6Bh) instruction is similar to the *Fast Read Dual Output (3Bh)* instruction except that data is output on four pins, SI, SO, /WP, and /HOLD. The Quad Enable (QE) bit in Status Register-2 must be set to 1 before the device will accept the Fast Read Quad Output Instruction. The Fast Read Quad Output Instruction allows data to be transferred at four times the rate of standard SPI devices.

The Fast Read Quad Output instruction can operate at the highest possible frequency of FR (see *AC Electrical Characteristics*). This is accomplished by adding eight “dummy” clocks after the 24-bit address as shown in *Figure 7.2.4*. The dummy clocks allow the device's internal circuits additional time for setting up the initial address. The input data during the dummy clocks is “don't care”. However, the IO pins should be high-impedance prior to the falling edge of the first data out clock.

Figure 7.2.4. Fast Read Quad Output Instruction (SPI Mode only)





### 7.2.5 Fast Read Dual I/O (BBh)

The Fast Read Dual I/O (BBh) instruction allows for improved random access while maintaining two IO pins, SI and SO. It is similar to the *Fast Read Dual Output (3Bh)* instruction but with the capability to input the Address bits (A23-0) two bits per clock. This reduced instruction overhead may allow for code execution (XIP) directly from the Dual SPI in some applications.

#### Fast Read Dual I/O with “Continuous Read Mode”

The Fast Read Dual I/O instruction can further reduce instruction overhead through setting the “Continuous Read Mode” bits (M7-0) after the input Address bits (A23- 0), as shown in *Figure 7.2.5a*. The upper nibble of the (M7-4) controls the length of the next Fast Read Dual I/O instruction through the inclusion or exclusion of the first byte instruction code. The lower nibble bits of the (M3-0) are don't care (“x”). However, the IO pins should be high-impedance prior to the falling edge of the first data out clock.

If the “Continuous Read Mode” bits M5-4 = (1,0), then the next Fast Read Dual I/O instruction (after /CS is raised and then lowered) does not require the BBh instruction code, as shown in *Figure 7.2.5b*. This reduces the instruction sequence by eight clocks and allows the Read address to be immediately entered after /CS is asserted low. If the “Continuous Read Mode” bits M5-4 do not equal to (1,0), the next instruction (after /CS is raised and then lowered) requires the first byte instruction code, thus returning to normal operation. It is recommended to input FFFFh on SI for the next instruction (16 clocks), to ensure M4 = 1 and return the device to normal operation.

**Figure 7.2.5a.** Fast Read Dual I/O Instruction (Initial instruction or previous M5-4≠10, SPI Mode only)

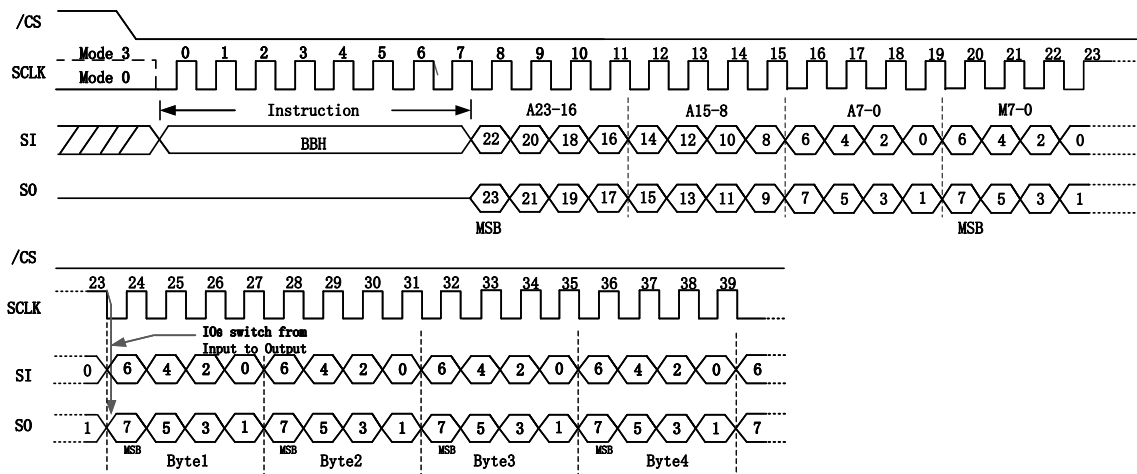
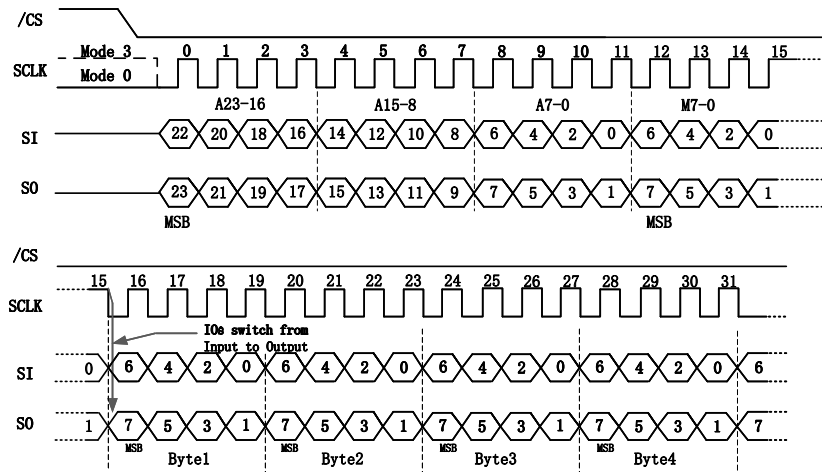




Figure 7.2.5b. Fast Read Dual I/O Instruction (Previous instruction set M5-4 = 10, SPI Mode only)





7.2.6 Fast Read Quad I/O (EBh)

The Fast Read Quad I/O (EBh) instruction is similar to the Fast Read Dual I/O (BBh) instruction except that address and data bits are input and output through four pins SI, SO, /WP and /HOLD and four Dummy clocks are required in SPI mode prior to the data output. The Quad I/O dramatically reduces instruction overhead allowing faster random access for code execution (XIP) directly from the Quad SPI. The Quad Enable bit (QE) of Status Register-2 must be set to enable the Fast Read Quad I/O Instruction.

Fast Read Quad I/O with “Continuous Read Mode”

The Fast Read Quad I/O instruction can further reduce instruction overhead through setting the “Continuous Read Mode” bits (M7-0) after the input Address bits (A23-0), as shown in Figure 7.2.6a. The upper nibble of the (M7-4) controls the length of the next Fast Read Quad I/O instruction through the inclusion or exclusion of the first byte instruction code. The lower nibble bits of the (M3-0) are don’t care (“x”). However, the IO pins should be high-impedance prior to the falling edge of the first data out clock.

If the “Continuous Read Mode” bits M5-4 = (1,0), then the next Fast Read Quad I/O instruction (after /CS is raised and then lowered) does not require the EBh instruction code, as shown in Figure 7.2.6b. This reduces the instruction sequence by eight clocks and allows the Read address to be immediately entered after /CS is asserted low. If the “Continuous Read Mode” bits M5-4 do not equal to (1,0), the next instruction (after /CS is raised and then lowered) requires the first byte instruction code, thus returning to normal operation. It is recommended to input FFh on SI for the next instruction (8 clocks), to ensure M4 = 1 and return the device to normal operation.

Figure 7.2.6a. Fast Read Quad I/O Instruction (Initial instruction or previous M5-4 ≠ 10, SPI Mode)

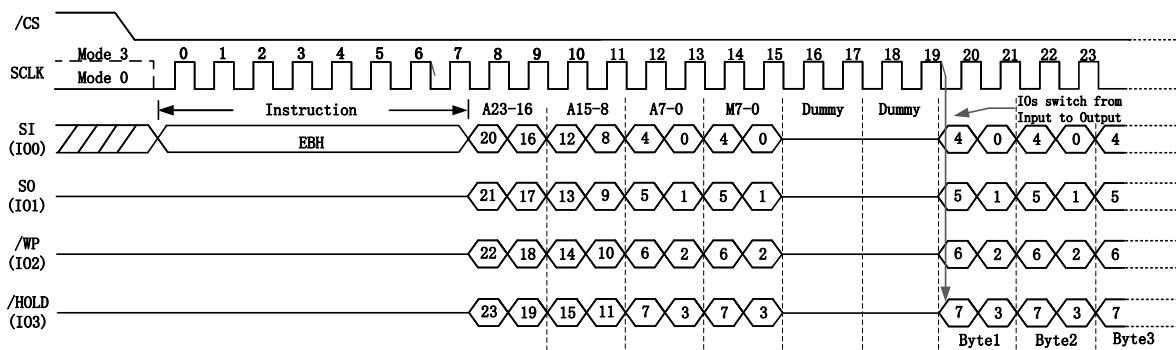
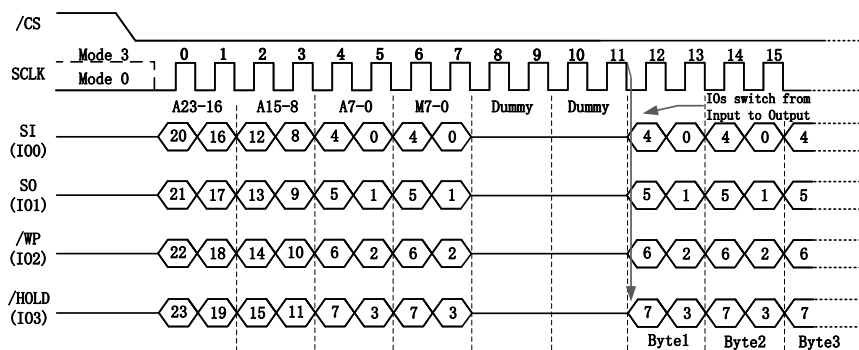




Figure 7.2.6b. Fast Read Quad I/O Instruction (Previous instruction set M5-4 = 10, SPI Mode)



**Fast Read Quad I/O with “8/16/32/64-Byte Wrap Around” in Standard SPI mode**

The Fast Read Quad I/O instruction can also be used to access a specific portion within a page by issuing a “*Set Burst with Wrap*” (77h) command prior to EBh. The “Set Burst with Wrap” (77h) command can either enable or disable the “Wrap Around” feature for the following EBh commands. When “Wrap Around” is enabled, the data being accessed can be limited to an 8, 16, 32 or 64-byte section of a 256-byte page. The output data starts at the initial address specified in the instruction, once it reaches the ending boundary of the 8/16/32/64- byte section, the output will wrap around to the beginning boundary automatically until /CS is pulled high to terminate the command.

The Burst with Wrap feature allows applications that use cache to quickly fetch a critical address and then fill the cache afterwards within a fixed length (8/16/32/64-byte) of data without issuing multiple read commands.

The “Set Burst with Wrap” instruction allows three “Wrap Bits”, W6-4 to be set. The W4 bit is used to enable or disable the “Wrap Around” operation while W6-5 are used to specify the length of the wrap around section within a page. Refer to [section 7.2.9](#) for detail descriptions.

**Fast Read Quad I/O (EBh) in QPI Mode**

The Fast Read Quad I/O instruction is also supported in QPI mode, as shown in [Figure 7.2.6c](#). When QPI mode is enabled, the number of dummy clocks is configured by the “*Set Read Parameters (C0h)*” instruction to accommodate a wide range of applications with different needs for either maximum Fast Read frequency or minimum data access latency. Depending on the Read Parameter Bits P[5:4] setting, the number of dummy clocks can be configured as either 2, 4, 6 or 8. The default number of dummy clocks upon power up or after a Reset instruction is 2. In QPI mode, the “Continuous Read Mode” bits M7-0 are also considered as dummy clocks. In the default setting, the data output will follow the Continuous Read Mode bits immediately.

“Continuous Read Mode” feature is also available in QPI mode for Fast Read Quad I/O instruction. Please refer to the description on previous pages.

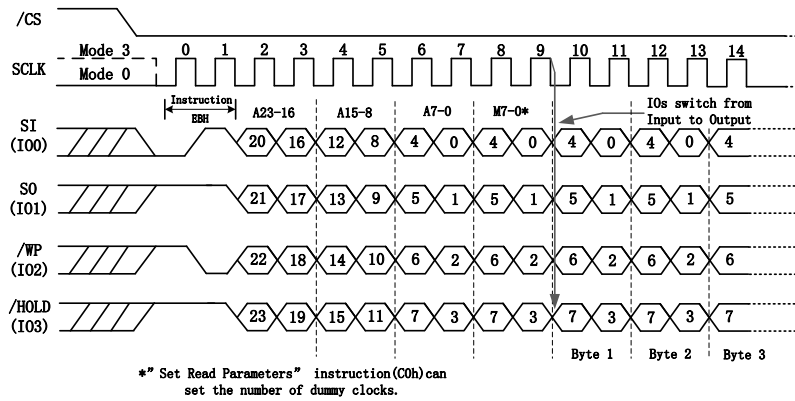
“Wrap Around” feature is not available in QPI mode for Fast Read Quad I/O instruction. To





perform a read operation with fixed data length wrap around in QPI mode, a dedicated “*Burst Read with Wrap*” (0Ch) instruction must be used. Please refer to [section 7.2.10](#) for details.

**Figure 7.2.6c.** Fast Read Quad I/O Instruction (Initial instruction or previous M5-4≠10, QPI Mode)





### 7.2.7 Word Read Quad I/O (E7h)

The Word Read Quad I/O (E7h) instruction is similar to the *Fast Read Quad I/O (EBh)* instruction except that the lowest Address bit (A0) must equal 0 and only two Dummy clocks are required prior to the data output. The Quad I/O dramatically reduces instruction overhead allowing faster random access for code execution (XIP) directly from the Quad SPI. The Quad Enable bit (QE) of Status Register-2 must be set to enable the Word Read Quad I/O Instruction.

#### Word Read Quad I/O with “Continuous Read Mode”

The Word Read Quad I/O instruction can further reduce instruction overhead through setting the “Continuous Read Mode” bits (M7-0) after the input Address bits (A23-0), as shown in *Figure 7.2.7a*. The upper nibble of the (M7-4) controls the length of the next Word Read Quad I/O instruction through the inclusion or exclusion of the first byte instruction code. The lower nibble bits of the (M3-0) are don't care (“x”). However, the IO pins should be high-impedance prior to the falling edge of the first data out clock.

If the “Continuous Read Mode” bits M5-4 = (1,0), then the next Word Read Quad I/O instruction (after /CS is raised and then lowered) does not require the E7h instruction code, as shown in *Figure 7.2.7b*. This reduces the instruction sequence by eight clocks and allows the Read address to be immediately entered after /CS is asserted low. If the “Continuous Read Mode” bits M5-4 do not equal to (1,0), the next instruction (after /CS is raised and then lowered) requires the first byte instruction code, thus returning to normal operation. It is recommended to input FFh on SI for the next instruction (8 clocks), to ensure M4 = 1 and return the device to normal operation.

**Figure 7.2.7a.** Word Read Quad I/O Instruction (Initial instruction or previous M5-4 ≠ 10, SPI Mode only)

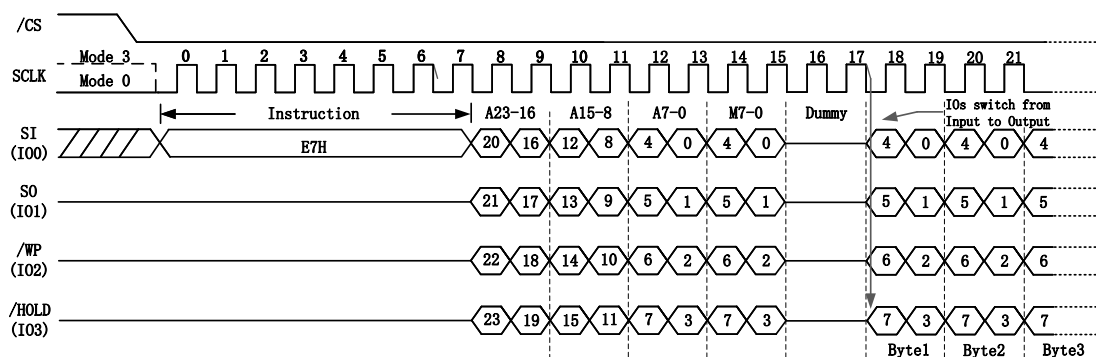
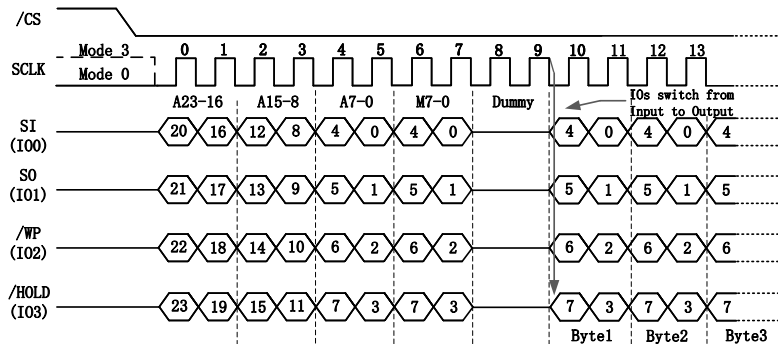




Figure 7.2.7b. Word Read Quad I/O Instruction (Previous instruction set M5-4 = 10, SPI Mode only)



### Word Read Quad I/O with “8/16/32/64-Byte Wrap Around” in Standard SPI mode

The Word Read Quad I/O instruction can also be used to access a specific portion within a page by issuing a “Set Burst with Wrap” (77h) command prior to E7h. The “Set Burst with Wrap” (77h) command can either enable or disable the “Wrap Around” feature for the following E7h commands. When “Wrap Around” is enabled, the data being accessed can be limited to either an 8, 16, 32 or 64-byte section of a 256-byte page. The output data starts at the initial address specified in the instruction, once it reaches the ending boundary of the 8/16/32/64- byte section, the output will wrap around to the beginning boundary automatically until /CS is pulled high to terminate the command.

The Burst with Wrap feature allows applications that use cache to quickly fetch a critical address and then fill the cache afterwards within a fixed length (8/16/32/64-byte) of data without issuing multiple read commands.

The “Set Burst with Wrap” instruction allows three “Wrap Bits”, W6-4 to be set. The W4 bit is used to enable or disable the “Wrap Around” operation while W6-5 are used to specify the length of the wrap around section within a page. See [section 7.2.9](#) for detail descriptions.



### 7.2.8 Octal Word Read Quad I/O (E3h)

The Octal Word Read Quad I/O (E3h) instruction is similar to the *Fast Read Quad I/O (EBh)* instruction except that the lower four Address bits (A0, A1, A2, A3) must equal 0. As a result, the dummy clocks are not required, which further reduces the instruction overhead allowing even faster random access for code execution (XIP). The Quad Enable bit (QE) of Status Register-2 must be set to enable the Octal Word Read Quad I/O Instruction.

#### Octal Word Read Quad I/O with “Continuous Read Mode”

The Octal Word Read Quad I/O instruction can further reduce instruction overhead through setting the “Continuous Read Mode” bits (M7-0) after the input Address bits (A23-0), as shown in *Figure 7.2.8a*. The upper nibble of the (M7-4) controls the length of the next Octal Word Read Quad I/O instruction through the inclusion or exclusion of the first byte instruction code. The lower nibble bits of the (M3-0) are don't care (“x”). However, the IO pins should be high-impedance prior to the falling edge of the first data out clock.

If the “Continuous Read Mode” bits M5-4 = (1,0), then the next Octal Word Read Quad I/O instruction (after /CS is raised and then lowered) does not require the E3h instruction code, as shown in *Figure 7.2.8b*. This reduces the instruction sequence by eight clocks and allows the Read address to be immediately entered after /CS is asserted low. If the “Continuous Read Mode” bits M5-4 do not equal to (1,0), the next instruction (after /CS is raised and then lowered) requires the first byte instruction code, thus returning to normal operation. It is recommended to input FFh on SI for the next instruction (8 clocks), to ensure M4 = 1 and return the device to normal operation.

**Figure 7.2.8a.** Octal Word Read Quad I/O Instruction (Initial instruction or previous M5-4 ≠ 10, SPI Mode only)

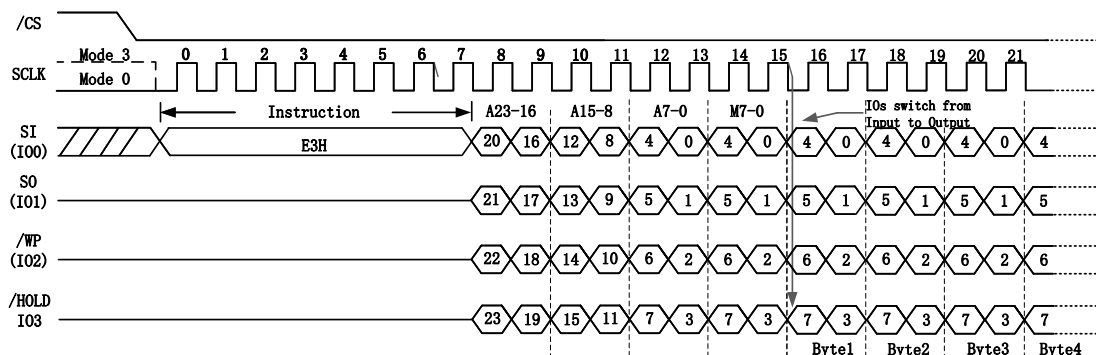
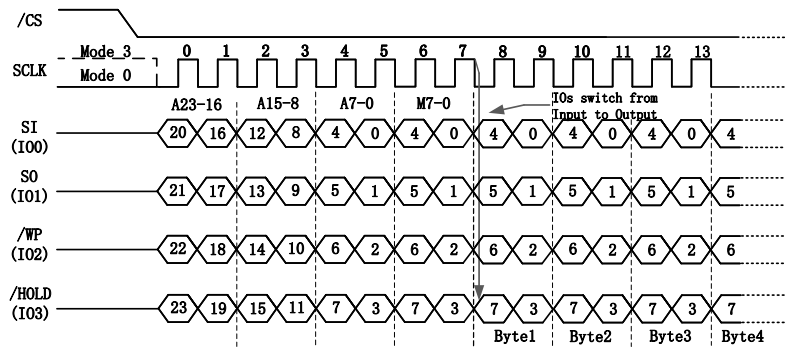




Figure 7.2.8b. Octal Word Read Quad I/O Instruction (Previous instruction set M5-4 = 10, SPI Mode only)





### 7.2.9 Set Burst with Wrap (77h)

In Standard SPI mode, the Set Burst with Wrap (77h) instruction is used in conjunction with “Fast Read Quad I/O (EBh)”, “Word Read Quad I/O (E7h)” and “Octal Word Read Quad I/O (E3h)” instructions to access a fixed length of 8/16/32/64-byte section within a 256-byte page. Certain applications can benefit from this feature and improve the overall system code execution performance.

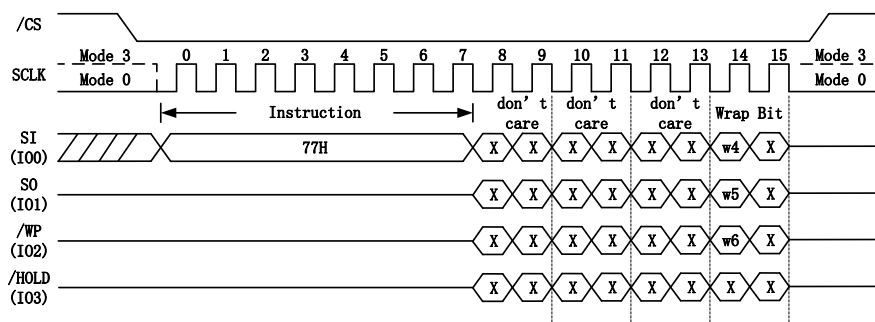
Similar to a Quad I/O instruction, the Set Burst with Wrap instruction is initiated by driving the /CS pin low and then shifting the instruction code “77h” followed by 24 dummy bits and 8 “Wrap Bits”, W7-0. The instruction sequence is shown in Figure 7.2.9. Wrap bit W7 and the lower nibble W3-0 are not used.

| W6, W5 | W4 = 0      |             | W4 =1 (DEFAULT) |             |
|--------|-------------|-------------|-----------------|-------------|
|        | Wrap Around | Wrap Length | Wrap Around     | Wrap Length |
| 0 0    | Yes         | 8-byte      | No              | N/A         |
| 0 1    | Yes         | 16-byte     | No              | N/A         |
| 1 0    | Yes         | 32-byte     | No              | N/A         |
| 1 1    | Yes         | 64-byte     | No              | N/A         |

Once W6-4 is set by a Set Burst with Wrap instruction, all the following “Fast Read Quad I/O (EBh)”, “Word Read Quad I/O (E7h)” and “Octal Word Read Quad I/O (E3h)” instructions will use the W6-4 setting to access the 8/16/32/64-byte section within any page. To exit the “Wrap Around” function and return to normal read operation, another Set Burst with Wrap instruction should be issued to set W4 = 1. The default value of W4 upon power on or after a software/hardware reset is 1.

In QPI mode, the “Burst Read with Wrap (0CH)” command should be used to perform the Read Operation with “Wrap Around” feature. The Wrap Length must be re-configured by “Set Read Parameters (C0H) command.

Figure 7.2.9. Set Burst with Wrap Instruction (SPI Mode only)



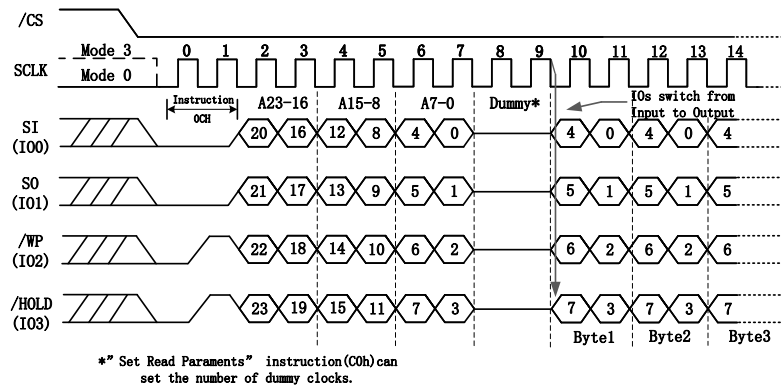


### 7.2.10 Burst Read with Wrap (0Ch)

The “Burst Read with Wrap (0Ch)” instruction provides an alternative way to perform the read operation with “Wrap Around” in QPI mode. The instruction is similar to the “Fast Read (0Bh)” instruction in QPI mode, except the addressing of the read operation will “Wrap Around” to the beginning boundary of the “Wrap Length” once the ending boundary is reached.

The “Wrap Length” and the number of dummy clocks can be configured by the “Set Read Parameters (C0h)” instruction.

Figure 7.2.10. Burst Read with Wrap Instruction (QPI Mode only)



### 7.3 ID and Power Instructions

#### 7.3.1 Power-down (B9h)

Although the standby current during normal operation is relatively low, standby current can be further reduced with the Power-down instruction. The lower power consumption makes the Power-down instruction especially useful for battery powered applications (See ICC1 and ICC2 in *AC Characteristics*). The instruction is initiated by driving the /CS pin low and shifting the instruction code “B9h” as shown in *Figure 7.3.1a* (SPI mode) & *Figure 7.3.1b* (QPI mode).

The /CS pin must be driven high after the eighth bit has been latched. If this is not done the Power-down instruction will not be executed. After /CS is driven high, the power-down state will entered within the time duration of tDP (See *AC Characteristics*). While in the power-down state only the *Release Power-down / Device ID (ABh)* instruction, which restores the device to normal operation, will be recognized. All other instructions are ignored. This includes the Read Status Register instruction, which is always available during normal operation. Ignoring all but one instruction makes the Power Down state a useful condition for securing maximum write protection. The device always powers-up in the normal operation with the standby current of ICC1

Figure 7.3.1a. Deep Power-down Instruction (SPI Mode)

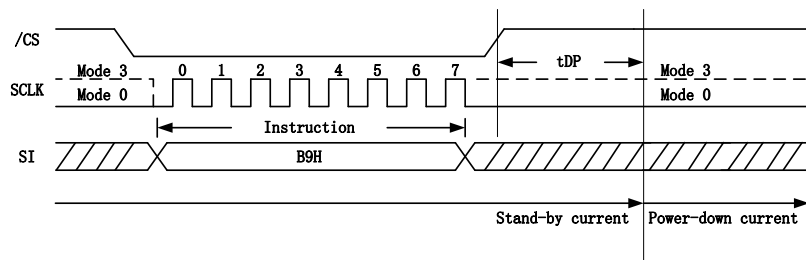
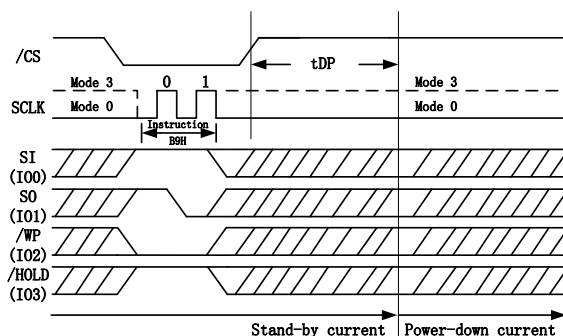


Figure 7.3.1b. Deep Power-down Instruction (QPI Mode)







### 7.3.2 Release Power-down / Device ID (ABh)

The Release from Power-down / Device ID instruction is a multi-purpose instruction. It can be used to release the device from the power-down state, or obtain the devices electronic identification (ID) number.

To release the device from the power-down state, the instruction is issued by driving the /CS pin low, shifting the instruction code “ABh” and driving /CS high as shown in [Figure 7.3.2a](#) (SPI mode) & [Figure 7.3.2b](#) (QPI mode). Release from power-down will take the time duration of tRES1 (See [AC Characteristics](#)) before the device will resume normal operation and other instructions are accepted. The /CS pin must remain high during the tRES1 time duration.

When used only to obtain the Device ID while not in the power-down state, the instruction is initiated by driving the /CS pin low and shifting the instruction code “ABh” followed by 3-dummy bytes. The Device ID bits are then shifted out on the falling edge of SCLK with most significant bit (MSB) first. The Device ID value for the BY25Q128AL is listed in [Manufacturer and Device Identification table](#). The Device ID can be read continuously. The instruction is completed by driving /CS high.

When used to release the device from the power-down state and obtain the Device ID, the instruction is the same as previously described, and shown in [Figure 7.3.2c](#) (SPI mode) & [Figure 7.3.2d](#) (QPI mode), except that after /CS is driven high it must remain high for a time duration of tRES2 (See [AC Characteristics](#)) . After this time duration the device will resume normal operation and other instructions will be accepted. If the Release from Power-down / Device ID instruction is issued while an Erase, Program or Write cycle is in process (when BUSY equals 1) the instruction is ignored and will not have any effects on the current cycle.

Figure 7.3.2a. Release Power-down Instruction (SPI Mode)

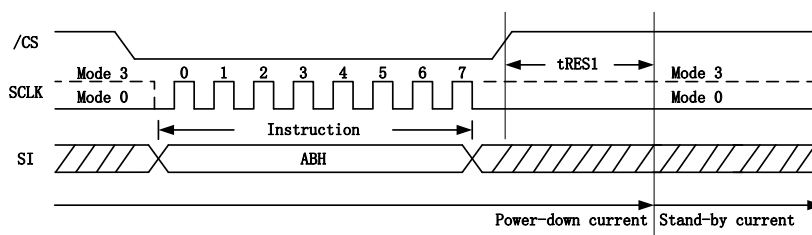


Figure 7.3.2b. Release Power-down Instruction (QPI Mode)

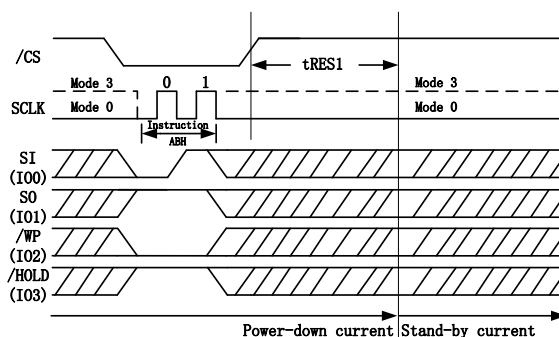




Figure 7.3.2c. Release Power-down / Device ID Instruction (SPI Mode)

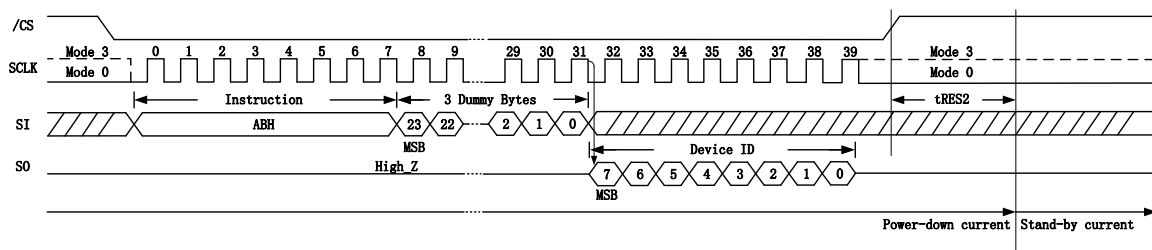
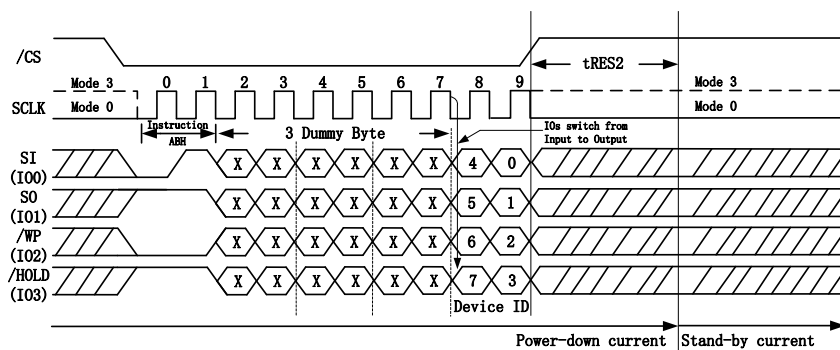


Figure 7.3.2d. Release Power-down / Device ID Instruction (QPI Mode)

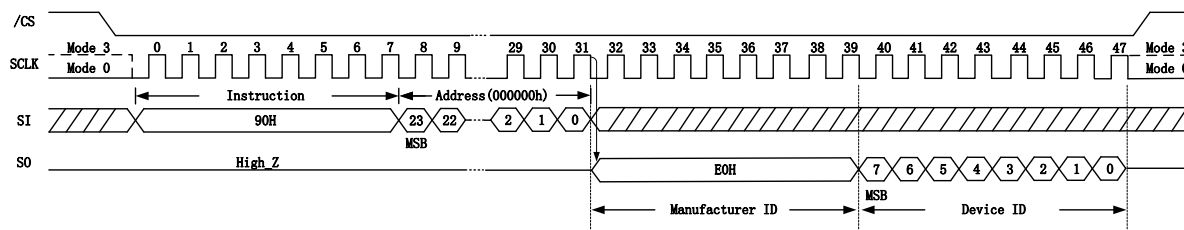


### 7.3.3 Read Manufacturer / Device ID (90h)

The Read Manufacturer/Device ID instruction is an alternative to the [Release from Power-down / Device ID](#) instruction that provides both the JEDEC assigned manufacturer ID and the specific device ID.

The Read Manufacturer/Device ID instruction is very similar to the [Release from Power-down / Device ID](#) instruction. The instruction is initiated by driving the /CS pin low and shifting the instruction code “90h” followed by a 24-bit address (A23-A0) of 000000h. After which, the Manufacturer ID for BoyaMicro (E0h) and the Device ID are shifted out on the falling edge of SCLK with most significant bit (MSB) first as shown in [Figure 7.3.3](#). The Device ID values for the BY25Q128AL are listed in [Manufacturer and Device Identification table](#). If the 24-bit address is initially set to 000001h the Device ID will be read first and then followed by the Manufacturer ID. The Manufacturer and Device IDs can be read continuously, alternating from one to the other. The instruction is completed by driving /CS high.

Figure 7.3.3. Read Manufacturer / Device ID Instruction (SPI Mode)



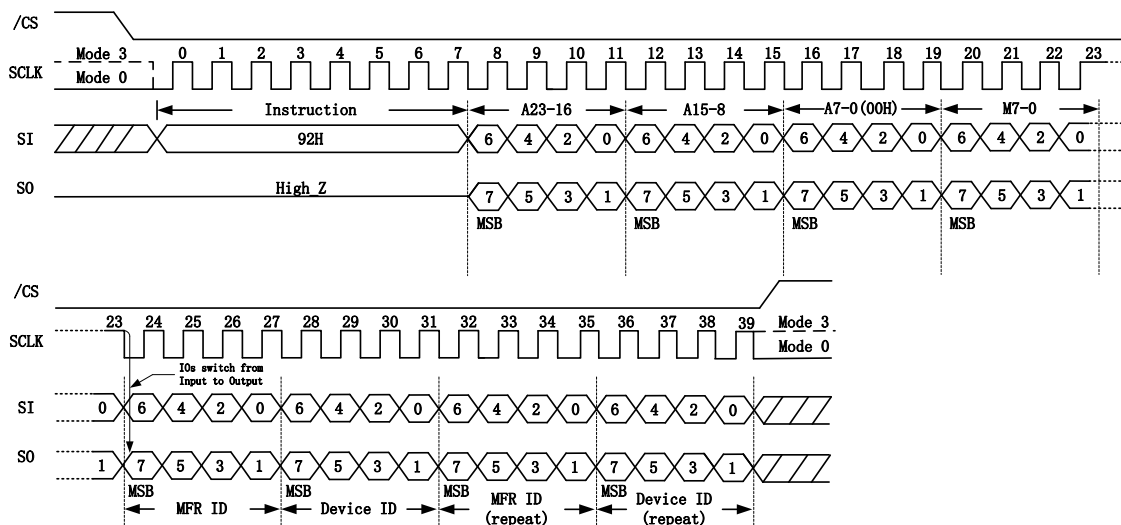


### 7.3.4 Read Manufacturer / Device ID Dual I/O (92h)

The Read Manufacturer / Device ID Dual I/O instruction is an alternative to the *Read Manufacturer / Device ID* instruction that provides both the JEDEC assigned manufacturer ID and the specific device ID at 2x speed.

The Read Manufacturer / Device ID Dual I/O instruction is similar to the *Fast Read Dual I/O* instruction. The instruction is initiated by driving the /CS pin low and shifting the instruction code “92h” followed by a 24-bit address (A23-A0) of 000000h and “Continuous Read Mode” bits (M7-M0), but with the capability to input the Address bits two bits per clock. After which, the Manufacturer ID for BoyaMicro (E0h) and the Device ID are shifted out 2 bits per clock on the falling edge of SCLK with most significant bits (MSB) first as shown in *Figure 7.3.4*. The Device ID values for the BY25Q128AL are listed in *Manufacturer and Device Identification table*. If the 24-bit address is initially set to 000001h the Device ID will be read first and then followed by the Manufacturer ID. The Manufacturer and Device IDs can be read continuously, alternating from one to the other. The instruction is completed by driving /CS high.

Figure 7.3.4. Read Manufacturer / Device ID Dual I/O Instruction (SPI Mode only)



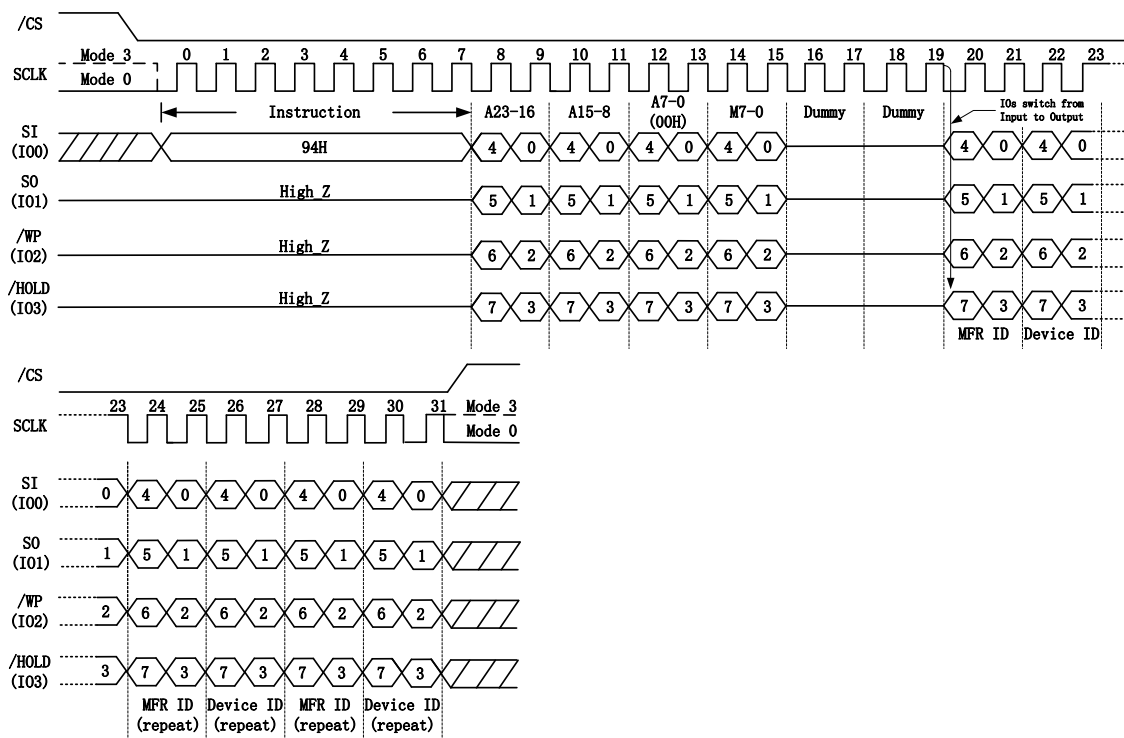


### 7.3.5 Read Manufacturer / Device ID Quad I/O (94h)

The Read Manufacturer / Device ID Quad I/O instruction is an alternative to the *Read Manufacturer / Device ID* instruction that provides both the JEDEC assigned manufacturer ID and the specific device ID at 4x speed.

The Read Manufacturer / Device ID Quad I/O instruction is similar to the *Fast Read Quad I/O* instruction. The instruction is initiated by driving the /CS pin low and shifting the instruction code “94h” followed by a 24-bit address (A23-A0) of 000000h and “Continuous Read Mode” bits (M7-M0) and a four clock dummy cycles, but with the capability to input the Address bits four bits per clock. After which, the Manufacturer ID for BoyaMicro (E0h) and the Device ID are shifted out four bits per clock on the falling edge of SCLK with most significant bit (MSB) first as shown in *Figure 7.3.5*. The Device ID values for the BY25Q128AL are listed in *Manufacturer and Device Identification table*. If the 24-bit address is initially set to 000001h the Device ID will be read first and then followed by the Manufacturer ID. The Manufacturer and Device IDs can be read continuously, alternating from one to the other. The instruction is completed by driving /CS high.

Figure 7.3.5. Read Manufacturer / Device ID Quad I/O Instruction (SPI Mode only)

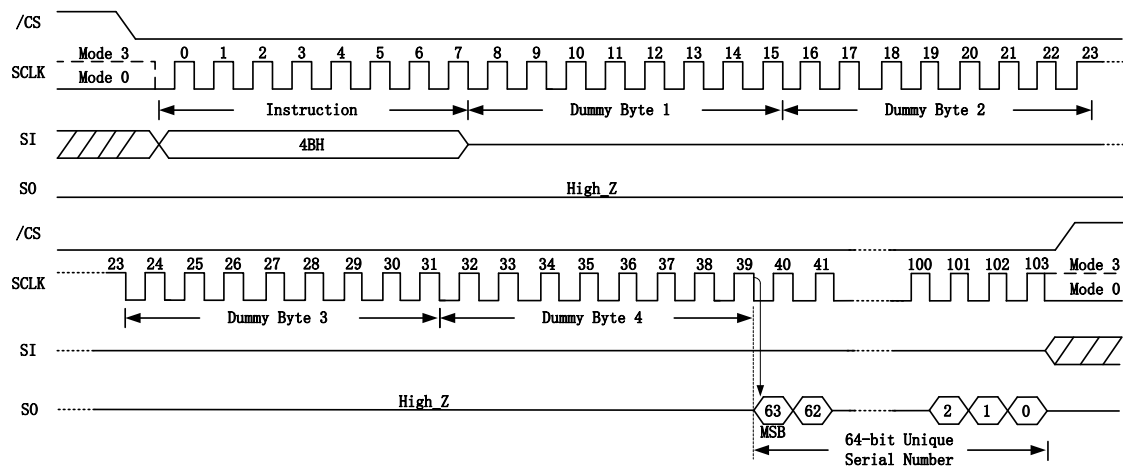




### 7.3.6 Read Unique ID Number (4Bh)

The Read Unique ID Number instruction accesses a factory-set read-only 64-bit number that is unique to each BY25Q128AL device. The ID number can be used in conjunction with user software methods to help prevent copying or cloning of a system. The Read Unique ID instruction is initiated by driving the /CS pin low and shifting the instruction code “4Bh” followed by a four bytes of dummy clocks. After which, the 64-bit ID is shifted out on the falling edge of SCLK as shown in [Figure 7.3.6](#).

Figure 7.3.6. Read Unique ID Number Instruction (SPI Mode only)





### 7.3.7 Read JEDEC ID (9Fh)

For compatibility reasons, the BY25Q128AL provides several instructions to electronically determine the identity of the device. The Read JEDEC ID instruction is compatible with the JEDEC standard for SPI compatible serial memories that was adopted in 2003. The instruction is initiated by driving the /CS pin low and shifting the instruction code “9Fh”. The JEDEC assigned Manufacturer ID byte for BoyaMicro (E0h) and two Device ID bytes, Memory Type (ID15-ID8) and Capacity (ID7-ID0) are then shifted out on the falling edge of SCLK with most significant bit (MSB) first as shown in [Figure 7.3.7a](#) (SPI mode) & [Figure 7.3.7b](#) (QPI mode). For memory type and capacity values refer to [Manufacturer and Device Identification table](#).

Figure 7.3.7a. Read JEDEC ID Instruction (SPI Mode)

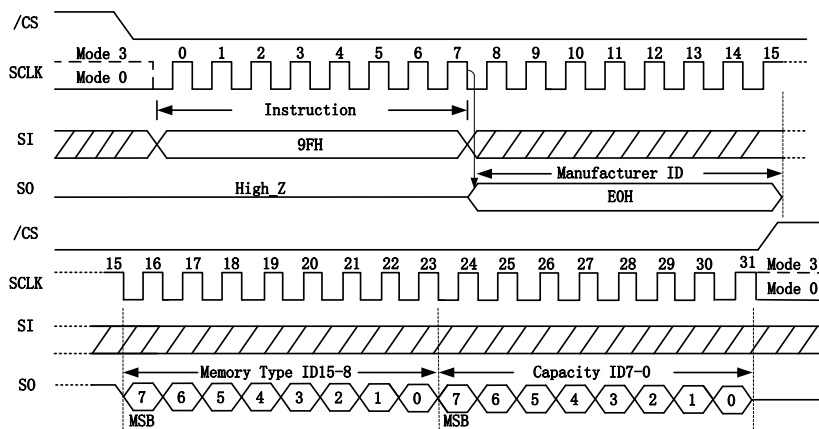
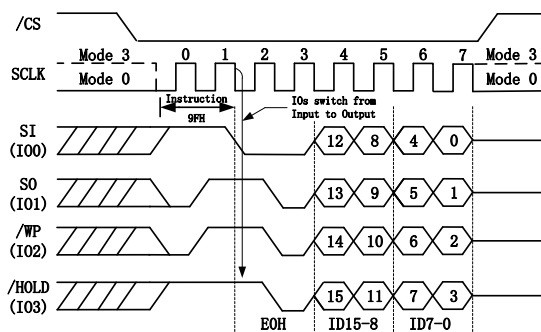


Figure 7.3.7b. Read JEDEC ID Instruction (QPI Mode)





### 7.4 Program / Erase and Security Instructions

#### 7.4.1 Page Program (02h)

The Page Program instruction allows from one byte to 256 bytes (a page) of data to be programmed at previously erased (FFh) memory locations. A *Write Enable* instruction must be executed before the device will accept the Page Program Instruction (Status Register bit WEL= 1). The instruction is initiated by driving the /CS pin low then shifting the instruction code “02h” followed by a 24-bit address (A23-A0) and at least one data byte, into the SI pin. The /CS pin must be held low for the entire length of the instruction while data is being sent to the device. The Page Program instruction sequence is shown in *Figure 7.4.1a* (SPI mode) and *Figure 7.4.1b* (QPI mode).

If an entire 256 byte page is to be programmed, the last address byte (the 8 least significant address bits) should be set to 0. If the last address byte is not zero, and the number of clocks exceeds the remaining page length, the addressing will wrap to the beginning of the page. In some cases, less than 256 bytes (a partial page) can be programmed without having any effect on other bytes within the same page. One condition to perform a partial page program is that the number of clocks cannot exceed the remaining page length. If more than 256 bytes are sent to the device the addressing will wrap to the beginning of the page and overwrite previously sent data.

As with the write and erase instructions, the /CS pin must be driven high after the eighth bit of the last byte has been latched. If this is not done the Page Program instruction will not be executed. After /CS is driven high, the self-timed Page Program instruction will commence for a time duration of tPP (See *AC Characteristics*). While the Page Program cycle is in progress, the Read Status Register instruction may still be accessed for checking the status of the BUSY bit. The BUSY bit is a 1 during the Page Program cycle and becomes a 0 when the cycle is finished and the device is ready to accept other instructions again. After the Page Program cycle has finished the Write Enable Latch (WEL) bit in the Status Register is cleared to 0. The Page Program instruction will not be executed if the addressed page is protected by the Block Protect (CMP, SEC, TB, BP2, BP1, and BP0) bits or the Individual Block/Sector Locks.

Figure 7.4.1a. Page Program Instruction (SPI Mode)

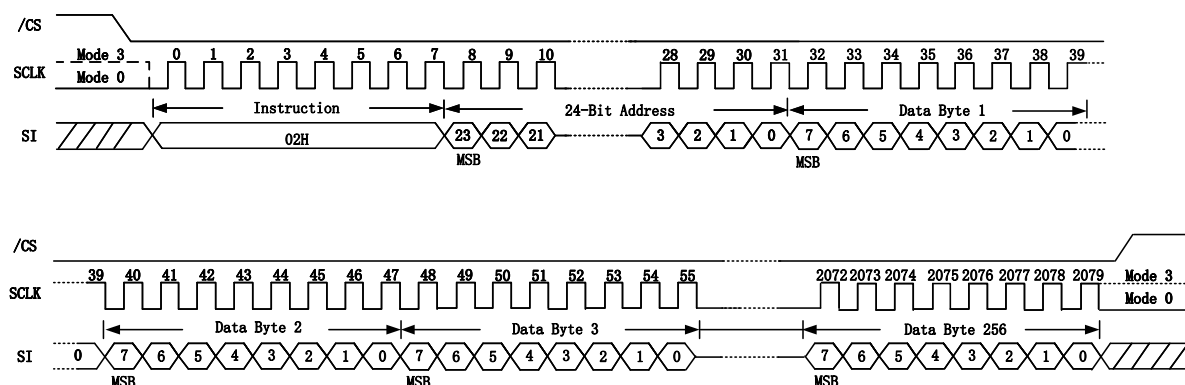
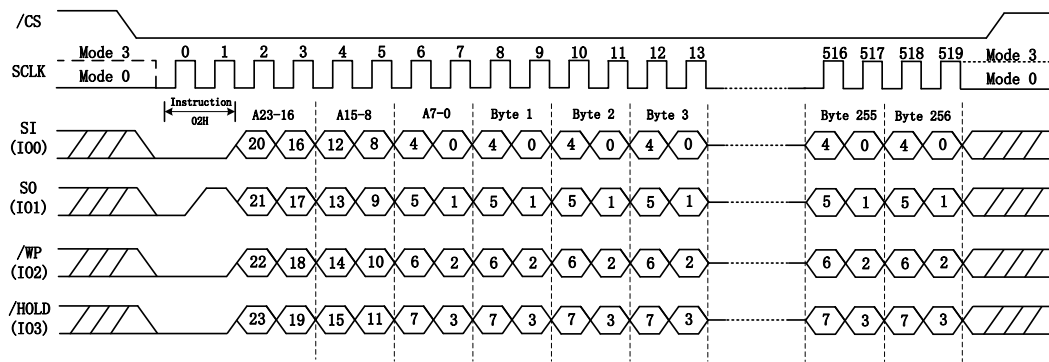




Figure 7.4.1b. Page Program Instruction (QPI Mode)





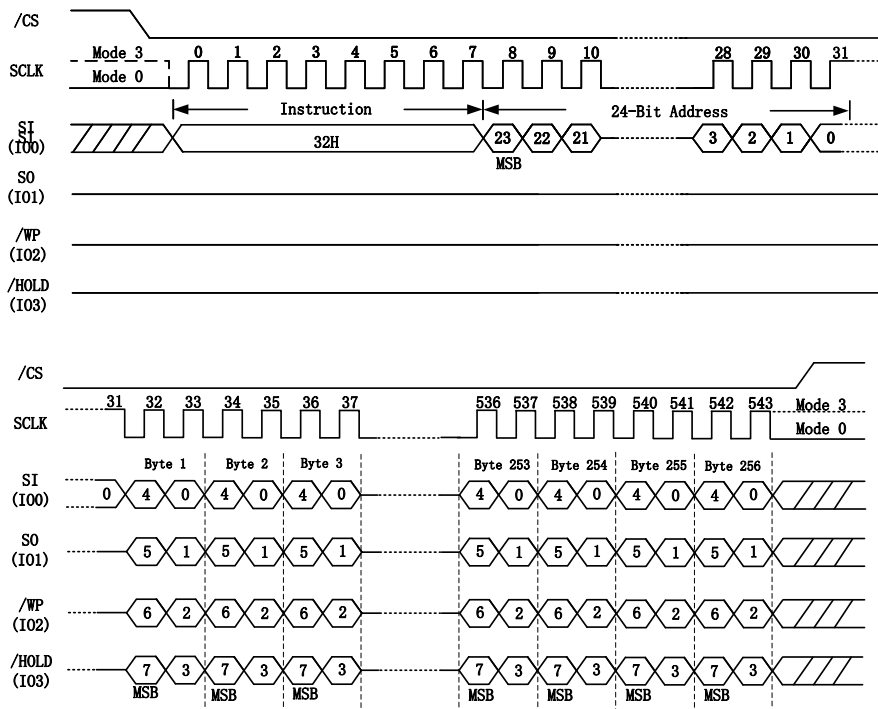


7.4.2 Quad Input Page Program (32h)

The Quad Page Program instruction allows up to 256 bytes of data to be programmed at previously erased (FFh) memory locations using four pins: SI, SO, /WP, and /HOLD. The Quad Page Program can improve performance for PROM Programmer and applications that have slow clock speeds <5MHz. Systems with faster clock speed will not realize much benefit for the Quad Page Program instruction since the inherent page program time is much greater than the time it take to clock-in the data.

To use Quad Page Program the Quad Enable (QE) bit in Status Register-2 must be set to 1. A Write Enable instruction must be executed before the device will accept the Quad Page Program instruction (Status Register-1, WEL=1). The instruction is initiated by driving the /CS pin low then shifting the instruction code "32h" followed by a 24-bit address (A23-A0) and at least one data byte, into the IO pins. The /CS pin must be held low for the entire length of the instruction while data is being sent to the device. All other functions of Quad Page Program are identical to standard Page Program. The Quad Page Program instruction sequence is shown in Figure 7.4.2.

Figure 7.4.2. Quad Input Page Program Instruction (SPI Mode only)





### 7.4.3 Sector Erase (20h)

The Sector Erase instruction sets all memory within a specified sector (4K-bytes) to the erased state of all 1s (FFh). A *Write Enable* instruction must be executed before the device will accept the Sector Erase Instruction (Status Register bit WEL must equal 1). The instruction is initiated by driving the /CS pin low and shifting the instruction code “20h” followed a 24-bit sector address (A23-A0). The Sector Erase instruction sequence is shown in *Figure 7.4.3a* (SPI mode) & *Figure 7.4.3b* (QPI mode).

The /CS pin must be driven high after the eighth bit of the last byte has been latched. If this is not done the Sector Erase instruction will not be executed. After /CS is driven high, the self-timed Sector Erase instruction will commence for a time duration of tSE (See *AC Characteristics*). While the Sector Erase cycle is in progress, the Read Status Register instruction may still be accessed for checking the status of the BUSY bit. The BUSY bit is a 1 during the Sector Erase cycle and becomes a 0 when the cycle is finished and the device is ready to accept other instructions again. After the Sector Erase cycle has finished the Write Enable Latch (WEL) bit in the Status Register is cleared to 0. The Sector Erase instruction will not be executed if the addressed page is protected by the Block Protect (CMP, SEC, TB, BP2, BP1, and BP0) bits or the Individual Block/Sector Locks.

Figure 7.4.3a. Sector Erase Instruction (SPI Mode)

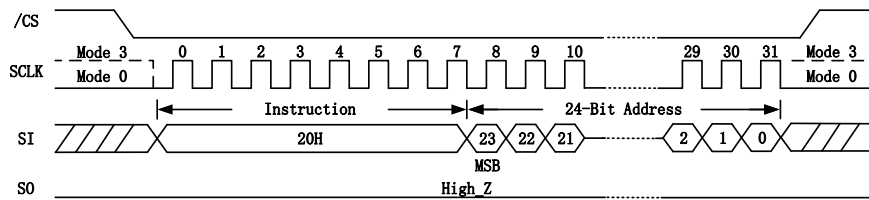
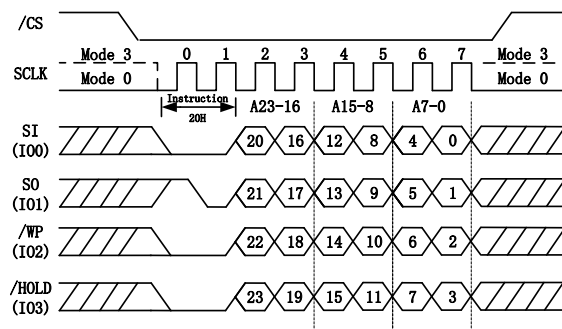


Figure 7.4.3b. Sector Erase Instruction (QPI Mode)





### 7.4.4 32KB Block Erase (52h)

The 32KB Block Erase instruction sets all memory within a specified block (32K-bytes) to the erased state of all 1s (FFh). A *Write Enable* instruction must be executed before the device will accept the 32KB Block Erase Instruction (Status Register bit WEL must equal 1). The instruction is initiated by driving the /CS pin low and shifting the instruction code “52h” followed a 24-bit block address (A23-A0). The Block Erase instruction sequence is shown in [Figure 7.4.4a](#) (SPI mode) & [Figure 7.4.4b](#) (QPI mode).

The /CS pin must be driven high after the eighth bit of the last byte has been latched. If this is not done the 32KB Block Erase instruction will not be executed. After /CS is driven high, the self-timed 32KB Block Erase instruction will commence for a time duration of tBE1 (See [AC Characteristics](#)). While the 32KB Block Erase cycle is in progress, the Read Status Register instruction may still be accessed for checking the status of the BUSY bit. The BUSY bit is a 1 during the 32KB Block Erase cycle and becomes a 0 when the cycle is finished and the device is ready to accept other instructions again. After the 32KB Block Erase cycle has finished the Write Enable Latch (WEL) bit in the Status Register is cleared to 0. The 32KB Block Erase instruction will not be executed if the addressed page is protected by the Block Protect (CMP, SEC, TB, BP2, BP1, and BP0) bits or the Individual Block/Sector Locks.

Figure 7.4.4a. 32KB Block Erase Instruction (SPI Mode)

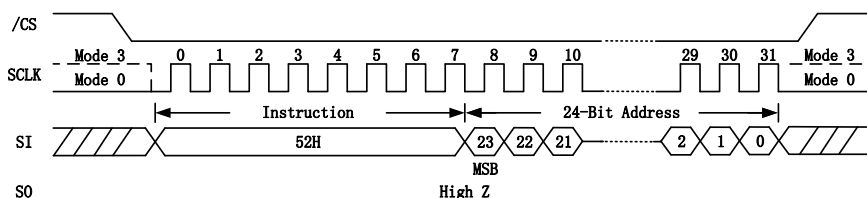
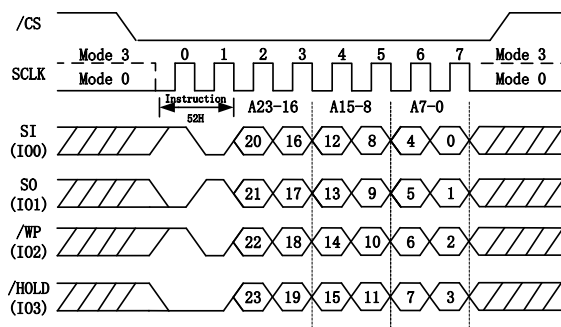


Figure 7.4.4b. 32KB Block Erase Instruction (QPI Mode)





### 7.4.5 64KB Block Erase (D8h)

The 64KB Block Erase instruction sets all memory within a specified block (64K-bytes) to the erased state of all 1s (FFh). A *Write Enable* instruction must be executed before the device will accept the 64KB Block Erase Instruction (Status Register bit WEL must equal 1). The instruction is initiated by driving the /CS pin low and shifting the instruction code “D8h” followed a 24-bit block address (A23-A0). The 64KB Block Erase instruction sequence is shown in [Figure 7.4.5a](#) (SPI mode) & [Figure 7.4.5b](#) (QPI mode).

The /CS pin must be driven high after the eighth bit of the last byte has been latched. If this is not done the 64KB Block Erase instruction will not be executed. After /CS is driven high, the self-timed 64KB Block Erase instruction will commence for a time duration of tBE (See [AC Characteristics](#)). While the 64KB Block Erase cycle is in progress, the Read Status Register instruction may still be accessed for checking the status of the BUSY bit. The BUSY bit is a 1 during the 64KB Block Erase cycle and becomes a 0 when the cycle is finished and the device is ready to accept other instructions again. After the 64KB Block Erase cycle has finished the Write Enable Latch (WEL) bit in the Status Register is cleared to 0. The 64KB Block Erase instruction will not be executed if the addressed page is protected by the Block Protect (CMP, SEC, TB, BP2, BP1, and BP0) bits or the Individual Block/Sector Locks.

Figure 7.4.5a. 64KB Block Erase Instruction (SPI Mode)

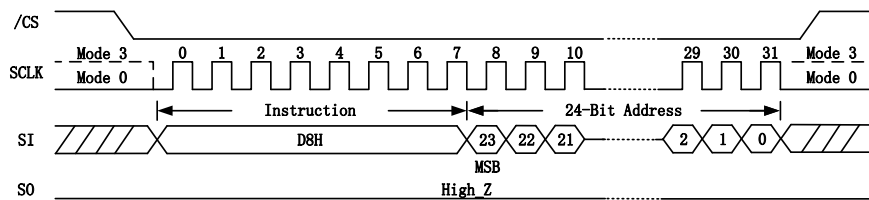
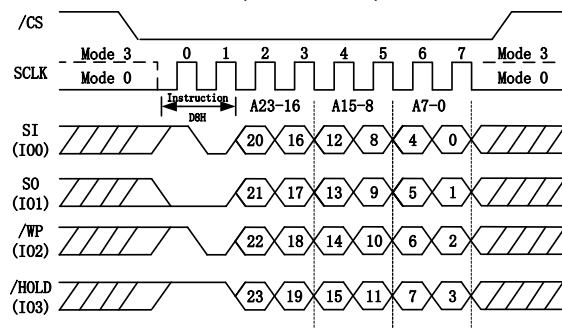


Figure 7.4.5b. 64KB Block Erase Instruction (QPI Mode)



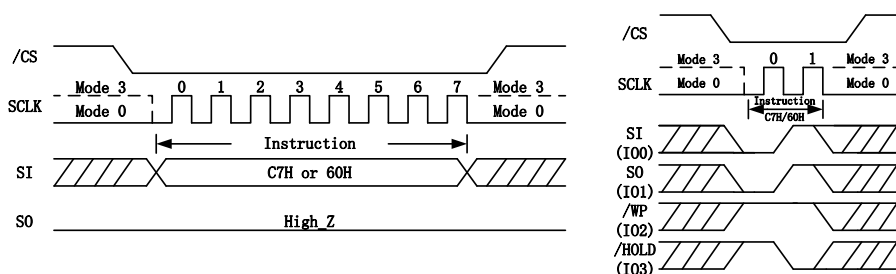


### 7.4.6 Chip Erase (C7h / 60h)

The Chip Erase instruction sets all memory within the device to the erased state of all 1s (FFh). A *Write Enable* instruction must be executed before the device will accept the Chip Erase Instruction (Status Register bit WEL must equal 1). The instruction is initiated by driving the /CS pin low and shifting the instruction code “C7h” or “60h”. The Chip Erase instruction sequence is shown in Figure 7.4.6.

The /CS pin must be driven high after the eighth bit has been latched. If this is not done the Chip Erase instruction will not be executed. After /CS is driven high, the self-timed Chip Erase instruction will commence for a time duration of tCE (See *AC Characteristics*). While the Chip Erase cycle is in progress, the Read Status Register instruction may still be accessed to check the status of the BUSY bit. The BUSY bit is a 1 during the Chip Erase cycle and becomes a 0 when finished and the device is ready to accept other instructions again. After the Chip Erase cycle has finished the Write Enable Latch (WEL) bit in the Status Register is cleared to 0. The Chip Erase instruction will not be executed if any memory region is protected by the Block Protect (CMP, SEC, TB, BP2, BP1, and BP0) bits or the Individual Block/Sector Locks.

Figure 7.4.6. Chip Erase Instruction for SPI Mode (left) or QPI Mode (right)





### 7.4.7 Erase Suspend (75h)

The Erase Suspend instruction “75h”, allows the system to interrupt a Sector or Block Erase operation and then read from or program data to, any other sectors or blocks. The Erase Suspend instruction sequence is shown in [Figure 7.4.7a](#) (SPI mode) & [Figure 7.4.7b](#) (QPI mode).

The Write Status Register instruction (01h, 31h, 11h) and Erase instructions (20h, 52h, D8h, C7h, 60h, 44h) are not allowed during Erase Suspend. Erase Suspend is valid only during the Sector or 32KB/64KB Block erase operation. If written during the Chip Erase operation, the Erase Suspend instruction is ignored.

The Erase Suspend instruction “75h” will be accepted by the device only if the SUS bit in the Status Register equals to 0 and the BUSY bit equals to 1 while a Sector or 32KB/64KB Block Erase operation is on-going. If the SUS bit equals to 1 or the BUSY bit equals to 0, the Suspend instruction will be ignored by the device. A maximum of time of “tSUS” (See [AC Characteristics](#)) is required to suspend the erase operation. The BUSY bit in the Status Register will be cleared from 1 to 0 within “tSUS” and the SUS bit in the Status Register will be set from 0 to 1 immediately after Erase Suspend. For a previously resumed Erase operation, it is also required that the Suspend instruction “75h” is not issued earlier than a minimum of time of “tSUS” following the preceding Resume instruction “7Ah”.

Unexpected power off during the Erase Suspend state will reset the device and release the suspend state. SUS bit in the Status Register will also reset to 0. The data within the page, sector or block that was being suspended may become corrupted. It is recommended for the user to implement system design techniques against the accidental power interruption and preserve data integrity during Erase Suspend state.

Figure 7.4.7a. Erase Suspend Instruction (SPI Mode)

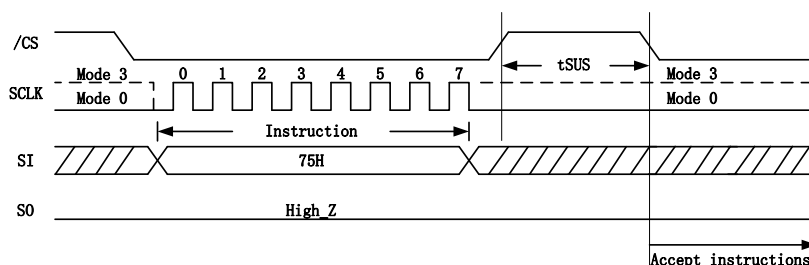
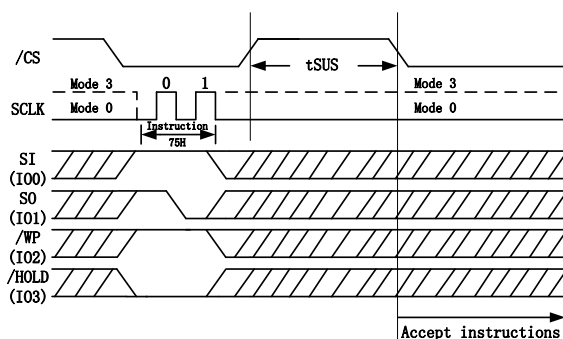


Figure 7.4.7b. Erase Suspend Instruction (QPI Mode)





### 7.4.8 Erase Resume (7Ah)

The Erase Resume instruction “7Ah” must be written to resume the Sector or Block Erase operation after an Erase Suspend. The Resume instruction “7Ah” will be accepted by the device only if the SUS bit in the Status Register equals to 1 and the BUSY bit equals to 0. After issued the SUS bit will be cleared from 1 to 0 immediately, the BUSY bit will be set from 0 to 1 within 200ns and the Sector or Block will complete the erase operation. If the SUS bit equals to 0 or the BUSY bit equals to 1, the Resume instruction “7Ah” will be ignored by the device. The Erase Resume instruction sequence is shown in [Figure 7.4.8a](#) (SPI mode) & [Figure 7.4.8b](#) (QPI mode).

Resume instruction is ignored if the previous Erase Suspend operation was interrupted by unexpected power off. It is also required that a subsequent Erase Suspend instruction not to be issued within a minimum of time of “tSUS” following a previous Resume instruction.

Figure 7.4.8a. Erase Resume Instruction (SPI Mode)

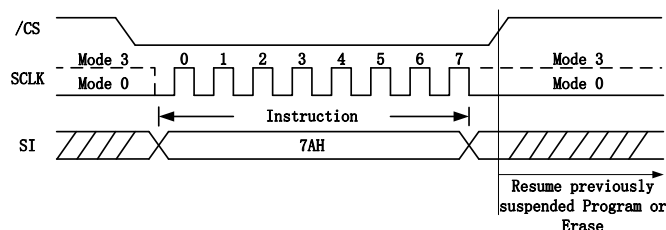
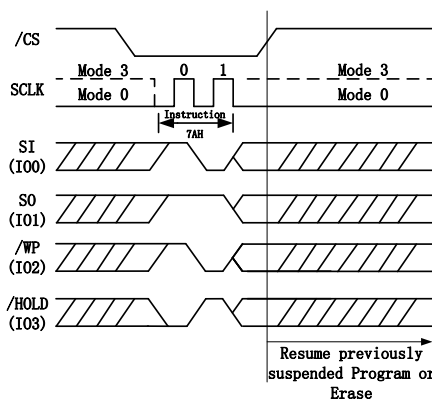


Figure 7.4.8b. Erase Resume Instruction (QPI Mode)





7.4.9 Erase Security Registers (44h)

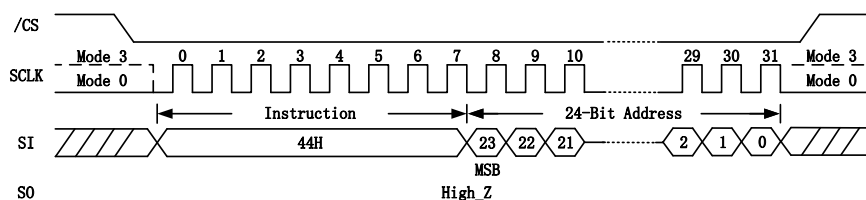
The BY25Q128AL offers four 256-byte Security Registers which can be erased and programmed individually. These registers may be used by the system manufacturers to store security and other important information separately from the main memory array.

The Erase Security Register instruction is similar to the Sector Erase instruction. A Write Enable instruction must be executed before the device will accept the Erase Security Register Instruction (Status Register bit WEL must equal 1). The instruction is initiated by driving the /CS pin low and shifting the instruction code “44h” followed by a 24-bit address (A23-A0) to erase one of the three security registers.

| ADDRESS              | A23-16 | A15-12  | A11-8   | A7-0       |
|----------------------|--------|---------|---------|------------|
| Security Register #0 | 00h    | 0 0 0 0 | 0 0 0 0 | Don't Care |
| Security Register #1 | 00h    | 0 0 0 1 | 0 0 0 0 | Don't Care |
| Security Register #2 | 00h    | 0 0 1 0 | 0 0 0 0 | Don't Care |
| Security Register #3 | 00h    | 0 0 1 1 | 0 0 0 0 | Don't Care |

The Erase Security Register instruction sequence is shown in Figure 7.4.9. The /CS pin must be driven high after the eighth bit of the last byte has been latched. If this is not done the instruction will not be executed. After /CS is driven high, the self-timed Erase Security Register operation will commence for a time duration of tSE (See AC Characteristics). While the Erase Security Register cycle is in progress, the Read Status Register instruction may still be accessed for checking the status of the BUSY bit. The BUSY bit is a 1 during the erase cycle and becomes a 0 when the cycle is finished and the device is ready to accept other instructions again. After the Erase Security Register cycle has finished the Write Enable Latch (WEL) bit in the Status Register is cleared to 0. The Security Register Lock Bits (LB3-0) in the Status Register-2 can be used to OTP protect the security registers. Once a lock bit is set to 1, the corresponding security register will be permanently locked, Erase Security Register instruction to that register will be ignored (Refer to section 5.4.2.6 and section 7.1.5 for detail descriptions).

Figure 7.4.9. Erase Security Registers Instruction (SPI Mode only)







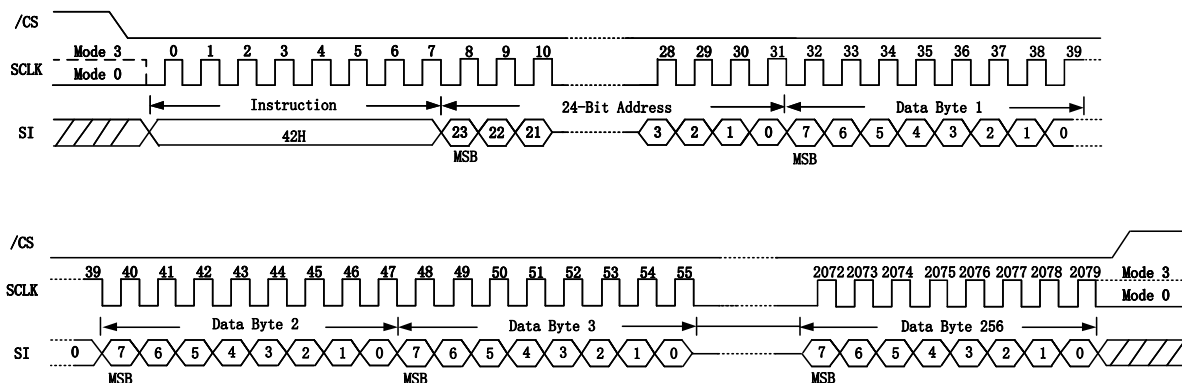
### 7.4.10 Program Security Registers (42h)

The Program Security Register instruction is similar to the *Page Program* instruction. It allows from one byte to 256 bytes of security register data to be programmed at previously erased (FFh) memory locations. A Write Enable instruction must be executed before the device will accept the Program Security Register Instruction (Status Register bit WEL= 1). The instruction is initiated by driving the /CS pin low then shifting the instruction code “42h” followed by a 24- bit address (A23-A0) and at least one data byte, into the SI pin. The /CS pin must be held low for the entire length of the instruction while data is being sent to the device.

| ADDRESS              | A23-16 | A15-12  | A11-8   | A7-0         |
|----------------------|--------|---------|---------|--------------|
| Security Register #0 | 00h    | 0 0 0 0 | 0 0 0 0 | Byte Address |
| Security Register #1 | 00h    | 0 0 0 1 | 0 0 0 0 | Byte Address |
| Security Register #2 | 00h    | 0 0 1 0 | 0 0 0 0 | Byte Address |
| Security Register #3 | 00h    | 0 0 1 1 | 0 0 0 0 | Byte Address |

The Program Security Register instruction sequence is shown in *Figure 7.4.10*. The Security Register Lock Bits (LB3-0) in the Status Register-2 can be used to OTP protect the security registers. Once a lock bit is set to 1, the corresponding security register will be permanently locked, Program Security Register instruction to that register will be ignored (See 7.1.8, 8.2.25 for detail descriptions).

Figure 7.4.10. Program Security Registers Instruction (SPI Mode only)



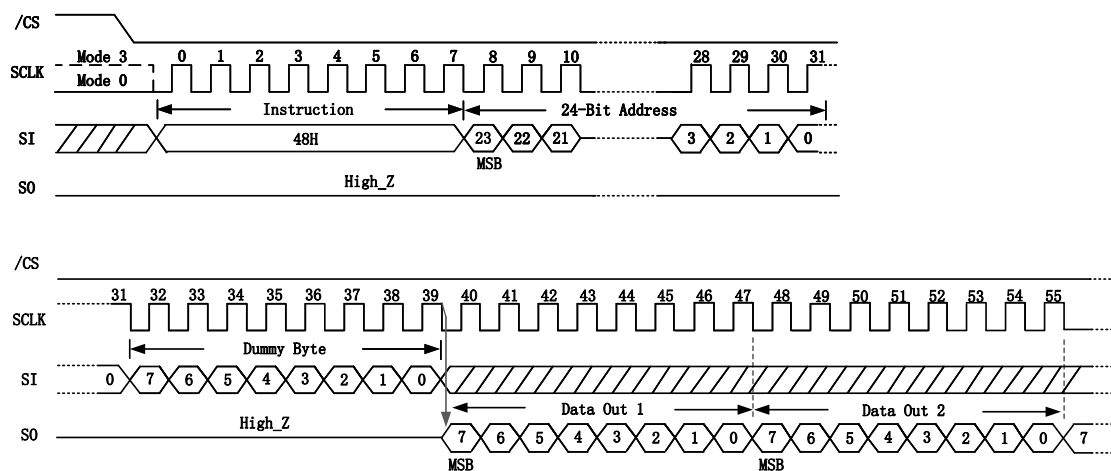


7.4.11 Read Security Registers (48h)

The Read Security Register instruction is similar to the Fast Read instruction and allows one or more data bytes to be sequentially read from one of the four security registers. The instruction is initiated by driving the /CS pin low and then shifting the instruction code "48h" followed by a 24-bit address (A23-A0) and eight "dummy" clocks into the SI pin. The code and address bits are latched on the rising edge of the SCLK pin. After the address is received, the data byte of the addressed memory location will be shifted out on the SO pin at the falling edge of SCLK with most significant bit (MSB) first. The byte address is automatically incremented to the next byte address after each byte of data is shifted out. Once the byte address reaches the last byte of the register (byte address FFh), it will reset to address 00h, the first byte of the register, and continue to increment. The instruction is completed by driving /CS high. The Read Security Register instruction sequence is shown in Figure 7.4.11. If a Read Security Register instruction is issued while an Erase, Program or Write cycle is in process (BUSY=1) the instruction is ignored and will not have any effects on the current cycle. The Read Security Register instruction allows clock rates from D.C. to a maximum of FR (see AC Electrical Characteristics).

| ADDRESS              | A23-16 | A15-12  | A11-8   | A7-0         |
|----------------------|--------|---------|---------|--------------|
| Security Register #0 | 00h    | 0 0 0 0 | 0 0 0 0 | Byte Address |
| Security Register #1 | 00h    | 0 0 0 1 | 0 0 0 0 | Byte Address |
| Security Register #2 | 00h    | 0 0 1 0 | 0 0 0 0 | Byte Address |
| Security Register #3 | 00h    | 0 0 1 1 | 0 0 0 0 | Byte Address |

Figure 7.4.11. Read Security Registers Instruction (SPI Mode only)





### 7.4.12 Set Read Parameters (C0h)

In QPI mode, to accommodate a wide range of applications with different needs for either maximum read frequency or minimum data access latency, “Set Read Parameters (C0h)” instruction can be used to configure the number of dummy clocks for “Fast Read (0Bh)”, “Fast Read Quad I/O (EBh)” & “Burst Read with Wrap (0Ch)” instructions, and to configure the number of bytes of “Wrap Length” for the “Burst Read with Wrap (0Ch)” instruction.

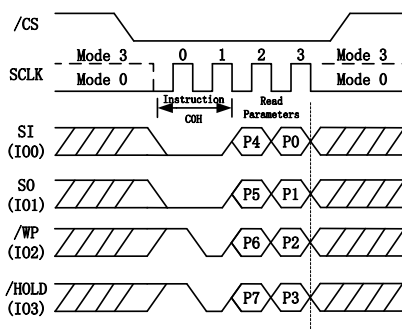
In Standard SPI mode, the “Set Read Parameters (C0h)” instruction is not accepted. The dummy clocks for various Fast Read instructions in Standard/Dual/Quad SPI mode are fixed, please refer to the *Instruction Table 2* for details. The “Wrap Length” is set by W5-4 bit in the “Set Burst with Wrap (77h)” instruction. This setting will remain unchanged when the device is switched from Standard SPI mode to QPI mode.

The default “Wrap Length” after a power up or a Reset instruction is 8 bytes, the default number of dummy clocks is 2. The number of dummy clocks is only programmable for “Fast Read (0Bh)”, “Fast Read Quad I/O (EBh)” & “Burst Read with Wrap (0Ch)” instructions in the QPI mode. Whenever the device is switched from SPI mode to QPI mode, the number of dummy clocks and “Wrap Length” should be set again, prior to any 0Bh, EBh or 0Ch instructions.

| P5 – P4 | DUMMY CLOCKS | MAXIMUM READ FREQ. | MAXIMUM READ FREQ. (A[1:0]=0,0) |
|---------|--------------|--------------------|---------------------------------|
| 0 0     | 2            | 33MHz              | 33MHz                           |
| 0 1     | 4            | 55MHz              | 80MHz                           |
| 1 0     | 6            | 80MHz              | 108MHz                          |
| 1 1     | 8            | 108MHz             | 108MHz                          |

| P1 – P0 | WRAP LENGTH |
|---------|-------------|
| 0 0     | 8-byte      |
| 0 1     | 16-byte     |
| 1 0     | 32-byte     |
| 1 1     | 64-byte     |

Figure 7.4.12. Set Read Parameters Instruction (QPI Mode only)





### 7.4.13 Enter QPI Mode (38h)

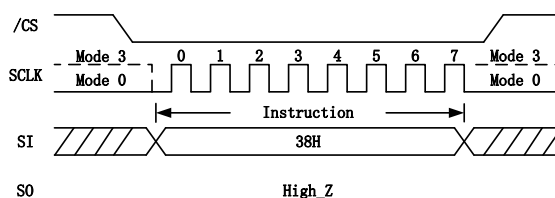
The BY25Q128AL support both Standard/Dual/Quad Serial Peripheral Interface (SPI) and Quad Peripheral Interface (QPI). However, SPI mode and QPI mode cannot be used at the same time. “Enter QPI (38h)” instruction is the only way to switch the device from SPI mode to QPI mode.

Upon power-up, the default state of the device upon is Standard/Dual/Quad SPI mode. This provides full backward compatibility with earlier generations of BoyaMicro serial flash memories. See [Instruction Set Table 1- 2](#) for all supported SPI commands. In order to switch the device to QPI mode, the Quad Enable (QE) bit in Status Register-2 must be set to 1 first, and an “Enter QPI (38h)” instruction must be issued. If the Quad Enable (QE) bit is 0, the “Enter QPI (38h)” instruction will be ignored and the device will remain in SPI mode.

See [Instruction Set Table 3](#) for all the commands supported in QPI mode.

When the device is switched from SPI mode to QPI mode, the existing Write Enable and Erase Suspend status, and the Wrap Length setting will remain unchanged.

Figure 7.4.13. Enter QPI Instruction (SPI Mode only)

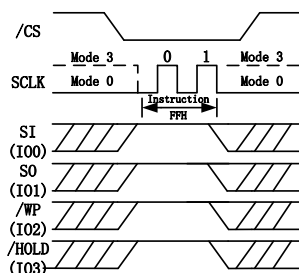


### 7.4.14 Exit QPI Mode (FFh)

In order to exit the QPI mode and return to the Standard/Dual/Quad SPI mode, an “Exit QPI (FFh)” instruction must be issued.

When the device is switched from QPI mode to SPI mode, the existing Write Enable Latch (WEL) and Erase Suspend status, and the Wrap Length setting will remain unchanged.

Figure 7.4.14. Exit QPI Instruction (QPI Mode only)





### 7.4.15 Individual Block/Sector Lock (36h)

The Individual Block/Sector Lock/Unlock provides an alternative way to protect the memory array from adverse Erase/Program. In order to use the Individual Block/Sector Lock/Unlock, the WPS bit in Status Register-3 must be set to 1. If WPS=0, the write protection will be determined by the combination of CMP, SEC, TB, BP[2:0] bits in the Status Registers. The Individual Block/Sector Lock bits are volatile bits. The default values after device power up or after a Reset are 1, so the entire memory array is being protected.

The Individual Block/Sector Lock/ Unlock should be for 4kB sector. If a 4kB-sector “A” is lock:  
1)Then sector “A” can’t be programmed and can’t be erased with command 20h.

2)Then 32kB that including sector “A” can’t be erased with command 52h,But other 4kB sectors (except sector A) in this 32kB block can be programmed and erased with command 20h.

3)Then the whole 64kB block including sector “A” can’t be erased with command D8h,But other 4kB-sectors (except sector “A”) in this 64kB-block can be programmed and erased with command 20h.

So it means that:

If you want to lock the whole 64kB-block to prevent programming, you should lock each 4kB-sector in this 64kB-block.If you want to lock the whole 64kB-block to prevent erasing by command D8h, you should lock any individual 4kB-sector in this 64kB-block.If you want to lock the whole 64kB-block to prevent erasing by command 20h, you should lock all individual 4kB-sector in this 64kB-block.

To lock a specific block or sector as illustrated in [Figure 7.4.15a](#) (SPI mode) or [Figure 7.4.15b](#) (QPI mode), an Individual Block/Sector Lock command must be issued by driving /CS low, shifting the instruction code “36h” into the Data Input pin on the rising edge of SCLK, followed by a 24-bit address and then driving /CS high. A Write Enable instruction must be executed before the device will accept the Individual Block/Sector Lock Instruction (Status Register bit WEL= 1).

Figure 7.4.15a. Individual Block/Sector Lock Instruction (SPI Mode)

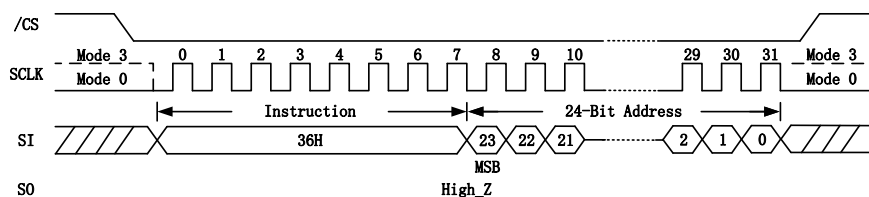
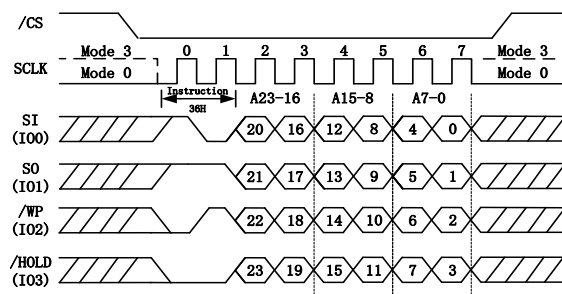


Figure 7.4.15b. Individual Block/Sector Lock Instruction (QPI Mode)





### 7.4.16 Individual Block/Sector Unlock (39h)

The Individual Block/Sector Lock/Unlock provides an alternative way to protect the memory array from adverse Erase/Program. In order to use the Individual Block/Sector Lock/Unlock, the WPS bit in Status Register-3 must be set to 1. If WPS=0, the write protection will be determined by the combination of CMP, SEC, TB, BP[2:0] bits in the Status Registers. The Individual Block/Sector Lock bits are volatile bits. The default values after device power up or after a Reset are 1, so the entire memory array is being protected.

To unlock a specific block or sector as illustrated in [Figure 7.4.16a](#) (SPI mode) or [Figure 7.4.16b](#) (QPI mode), an Individual Block/Sector Unlock command must be issued by driving /CS low, shifting the instruction code “39h” into the Data Input pin on the rising edge of SCLK, followed by a 24-bit address and then driving /CS high. A Write Enable instruction must be executed before the device will accept the Individual Block/Sector Unlock Instruction (Status Register bit WEL= 1).

Figure 7.4.16a. Individual Block Unlock Instruction (SPI Mode)

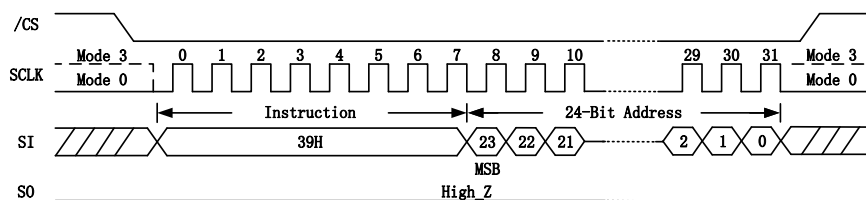
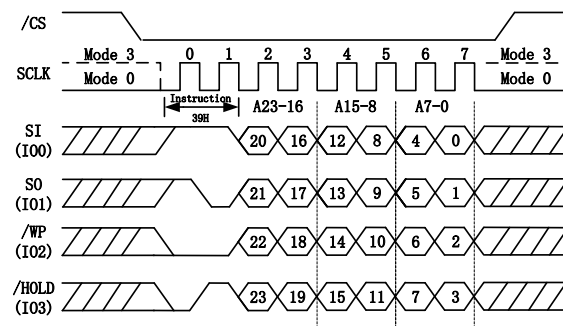


Figure 7.4.16b. Individual Block Unlock Instruction (QPI Mode)





### 7.4.17 Read Block/Sector Lock (3Dh)

The Individual Block/Sector Lock/Unlock provides an alternative way to protect the memory array from adverse Erase/Program. In order to use the Individual Block/Sector Lock/Unlock, the WPS bit in Status Register-3 must be set to 1. If WPS=0, the write protection will be determined by the combination of CMP, SEC, TB, BP[2:0] bits in the Status Registers. The Individual Block/Sector Lock bits are volatile bits. The default values after device power up or after a Reset are 1, so the entire memory array is being protected.

To read out the lock bit value of a specific block or sector as illustrated in [Figure 7.4.17a](#) (SPI mode) or [Figure 7.4.17b](#) (QPI mode), a Read Block/Sector Lock command must be issued by driving /CS low, shifting the instruction code “3Dh” into the Data Input pin on the rising edge of SCLK, followed by a 24-bit address. The Block/Sector Lock bit value will be shifted out on the Data Output pin at the falling edge of SCLK with most significant bit (MSB) first as shown in Figure 7.4.17a and 7.4.17b. If the least significant bit (LSB) is 1, the corresponding block/sector is locked; if LSB=0, the corresponding block/sector is unlocked, Erase/Program operation can be performed.

Figure 7.4.17a. Read Block Lock Instruction (SPI Mode)

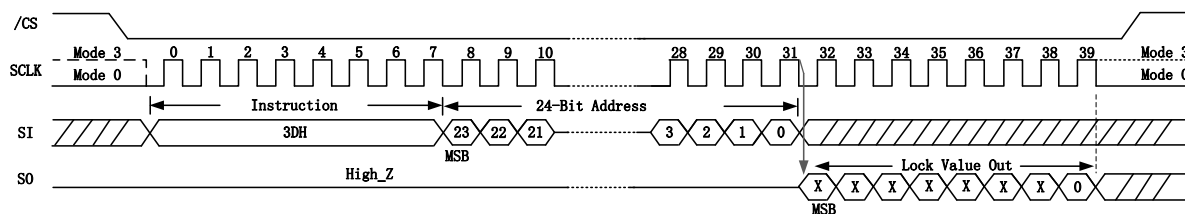
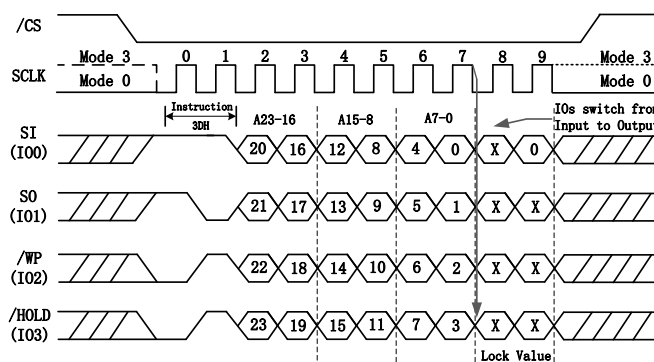


Figure 7.4.17b. Read Block Lock Instruction (QPI Mode)

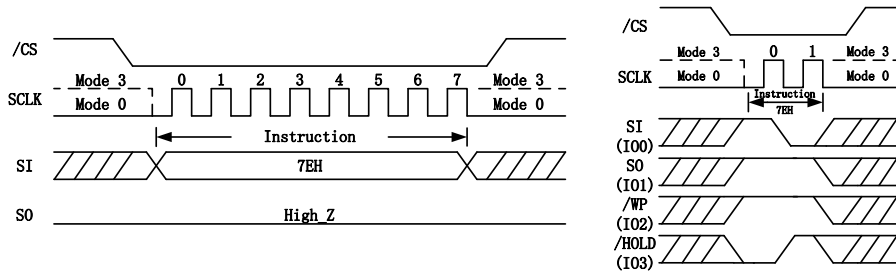




### 7.4.18 Global Block/Sector Lock (7Eh)

All Block/Sector Lock bits can be set to 1 by the Global Block/Sector Lock instruction. The command must be issued by driving /CS low, shifting the instruction code “7Eh” into the Data Input pin on the rising edge of SCLK, and then driving /CS high. A Write Enable instruction must be executed before the device will accept the Global Block/Sector Lock Instruction (Status Register bit WEL= 1).

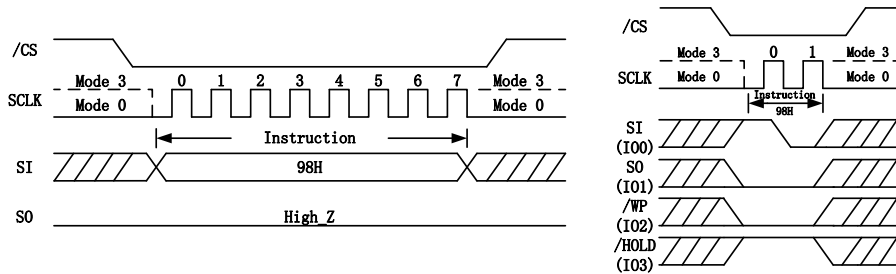
Figure 7.4.18. Global Block Lock Instruction for SPI Mode (left) or QPI Mode (right)



### 7.4.19 Global Block/Sector Unlock (98h)

All Block/Sector Lock bits can be set to 0 by the Global Block/Sector Unlock instruction. The command must be issued by driving /CS low, shifting the instruction code “98h” into the Data Input pin on the rising edge of SCLK, and then driving /CS high. A Write Enable instruction must be executed before the device will accept the Global Block/Sector Unlock Instruction (Status Register bit WEL= 1).

Figure 7.4.19. Global Block Unlock Instruction for SPI Mode (left) or QPI Mode (right)







### 7.4.20 Enable Reset (66h) and Reset Device (99h)

Because of the small package and the limitation on the number of pins, the BY25Q128AL provide a software Reset instruction instead of a dedicated RESET pin. Once the Reset instruction is accepted, any on-going internal operations will be terminated and the device will return to its default power-on state and lose all the current volatile settings, such as Volatile Status Register bits, Write Enable Latch (WEL) status, Erase Suspend status, Read parameter setting (P7-P0), Continuous Read Mode bit setting (M7-M0) , Wrap Bit setting (W6-W4) and the Individual Block/Sector Lock bits.

“Enable Reset (66h)” and “Reset (99h)” instructions can be issued in either SPI mode or QPI mode. To avoid accidental reset, both instructions must be issued in sequence. Any other commands other than “Reset (99h)” after the “Enable Reset (66h)” command will disable the “Reset Enable” state. A new sequence of “Enable Reset (66h)” and “Reset (99h)” is needed to reset the device. Once the Reset command is accepted by the device, the device will take approximately tRST=30us to reset. During this period, no command will be accepted.

Data corruption may happen if there is an on-going or suspended internal Erase or Program operation when Reset command sequence is accepted by the device. It is recommended to check the BUSY bit and the SUS bit in Status Register before issuing the Reset command sequence.

Figure 7.4.20a. Enable Reset and Reset Instruction Sequence (SPI Mode)

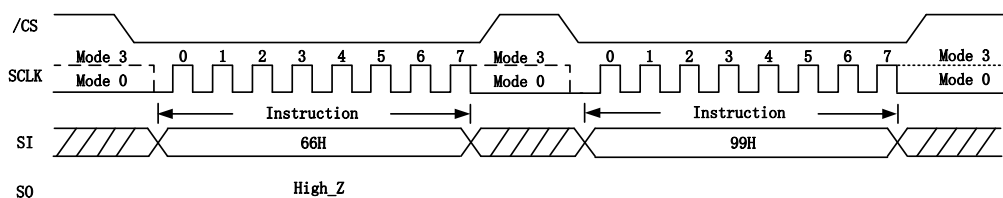
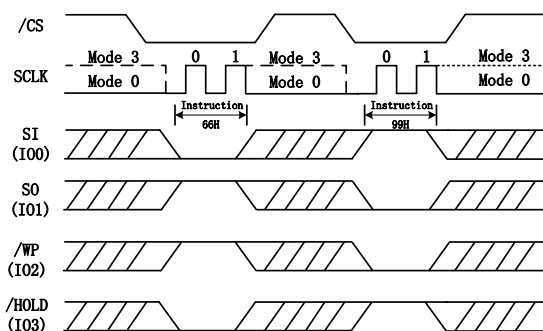


Figure 7.4.20b. Enable Reset and Reset Instruction Sequence (QPI Mode)





## 8. Electrical Characteristics

### 8.1 Absolute Maximum Ratings

| PARAMETERS                      | SYMBOL | CONDITIONS                            | RANGE             | UNIT |
|---------------------------------|--------|---------------------------------------|-------------------|------|
| Supply Voltage                  | VCC    |                                       | -0.6 to VCC+0.6   | V    |
| Voltage Applied to Any Pin      | VIO    | Relative to Ground                    | -0.6 to VCC+0.6   | V    |
| Transient Voltage on any Pin    | VIOT   | <20nS Transient<br>Relative to Ground | -1.0V to VCC+1.0V | V    |
| Storage Temperature             | TSTG   |                                       | -65 to +150       | °C   |
| Lead Temperature                | TLEAD  |                                       | See Note (2)      | °C   |
| Electrostatic Discharge Voltage | VESD   | Human Body Model <sup>(3)</sup>       | -2000 to +2000    | V    |

Notes:

1. This device has been designed and tested for the specified operation ranges. Proper operation outside of these levels is not guaranteed. Exposure to absolute maximum ratings may affect device reliability. Exposure beyond absolute maximum ratings may cause permanent damage.
2. Compliant with JEDEC Standard J-STD-20C for small body Sn-Pb or Pb-free (Green) assembly and the European directive on restrictions on hazardous substances (RoHS) 2002/95/EU.
3. JEDEC Std JESD22-A114A (C1=100pF, R1=1500 ohms, R2=500 ohms)

### 8.2 Operating Ranges

| PARAMETER                       | SYMBOL | CONDITIONS              | SPEC |      | UNIT |
|---------------------------------|--------|-------------------------|------|------|------|
|                                 |        |                         | MIN  | MAX  |      |
| Supply Voltage <sup>(1)</sup>   | VCC    | FR = 108MHz, fR = 50MHz | 1.65 | 1.95 | V    |
| Ambient Temperature (Operating) | TA     | Industrial              | -40  | +85  | °C   |

Note:

1. VCC voltage during Read can operate across the min and max range but should not exceed  $\pm 10\%$  of the programming (erase/write) voltage.

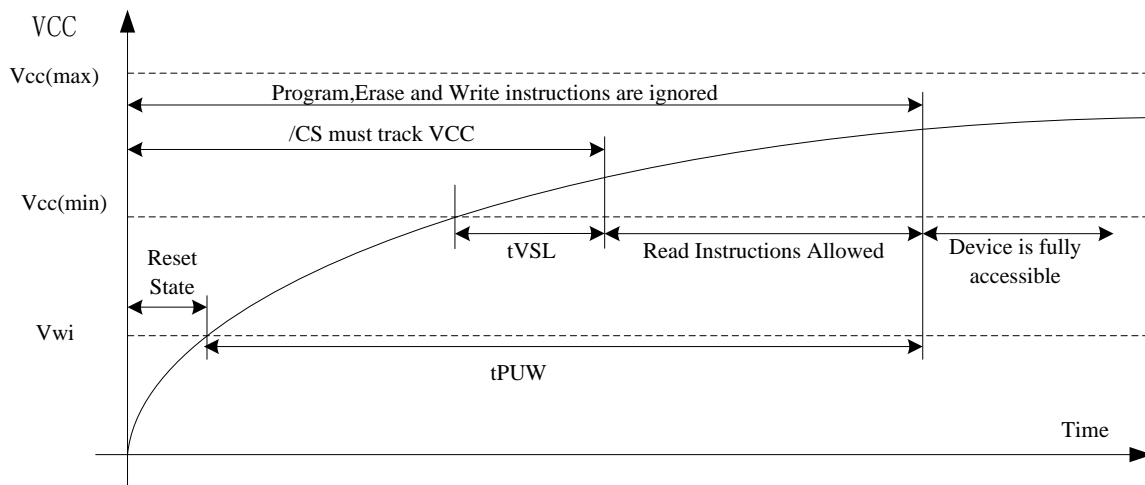


### 8.3 Power-up Timing and Write Inhibit Threshold

| PARAMETER                           | SYMBOL | SPEC |     | UNIT |
|-------------------------------------|--------|------|-----|------|
|                                     |        | MIN  | MAX |      |
| VCC(min) to /CS Low                 | tVSL   | 30   |     | μs   |
| Time Delay Before Write Instruction | tPUW   | 1    | 10  | ms   |
| Write Inhibit Threshold Voltage     | Vwi    | 1.0  | 1.4 | V    |

Note:

1. These parameters are characterized only.





## 8.4 DC Electrical Characteristics

| PARAMETER   | SYMBOL              | CONDITIONS                            | SPEC      |     |           | UNIT |
|---|---------------------|---------------------------------------|-----------|-----|-----------|------|
|   |                     |                                       | MIN       | TYP | MAX       |      |
| Input Capacitance   | CIN <sup>(1)</sup>  | VIN = 0V <sup>(1)</sup>               |           |     | 6         | pF   |
| Output Capacitance  | Cout <sup>(1)</sup> | VOUT = 0V <sup>(1)</sup>              |           |     | 8         | pF   |
| Input Leakage   | ILI                 |                                       |           |     | ±2        | μA   |
| I/O Leakage   | ILO                 |                                       |           |     | ±2        | μA   |
| Standby Current   | ICC1                | /CS = VCC,<br>VIN = GND or VCC        |           | 10  | 50        | μA   |
| Power-down Current  | ICC2                | /CS = VCC,<br>VIN = GND or VCC        |           | 1   | 5         | μA   |
| Current Read Data /<br>Dual /Quad 1MHz <sup>(2)</sup>                                   | ICC3                | C = 0.1 VCC / 0.9<br>VCC<br>DO = Open |           | 4   | 10        | mA   |
| Current Read Data /<br>Dual /Quad<br>50MHz <sup>(2)</sup>                               | ICC3                | C = 0.1 VCC / 0.9<br>VCC<br>DO = Open |           |     | 15        | mA   |
| Current Read Data /<br>Dual /Quad<br>80MHz <sup>(2)</sup>                               | ICC3                | C = 0.1 VCC / 0.9<br>VCC<br>DO = Open |           |     | 18        | mA   |
| Current Read Data /<br>Dual Output<br>Read/Quad<br>Output Read<br>108MHz <sup>(2)</sup> | ICC3                | C = 0.1 VCC / 0.9<br>VCC<br>DO = Open |           |     | 20        | mA   |
| Current Write<br>Status<br>Register   | ICC4                | /CS = VCC                             |           | 8   | 12        | mA   |
| Current Page<br>Program   | ICC5                | /CS = VCC                             |           | 20  | 25        | mA   |
| Current<br>Sector/Block<br>Erase  | ICC6                | /CS = VCC                             |           | 20  | 25        | mA   |
| Current Chip Erase  | ICC7                | /CS = VCC                             |           | 20  | 25        | mA   |
| Input Low Voltage   | VIL                 |                                       | -0.5      |     | VCC x 0.3 | V    |
| Input High Voltage  | VIH                 |                                       | VCC x 0.7 |     | VCC + 0.4 | V    |
| Output Low Voltage  | VOL                 | IOL = 100 μA                          |           |     | 0.2       | V    |
| Output High<br>Voltage  | VOH                 | IOH = -100 μA                         | VCC - 0.2 |     |           | V    |

## Notes:

1. Tested on sample basis and specified through design and characterization data. TA = 25° C, VCC = 1.8V.
2. Checker Board Pattern.

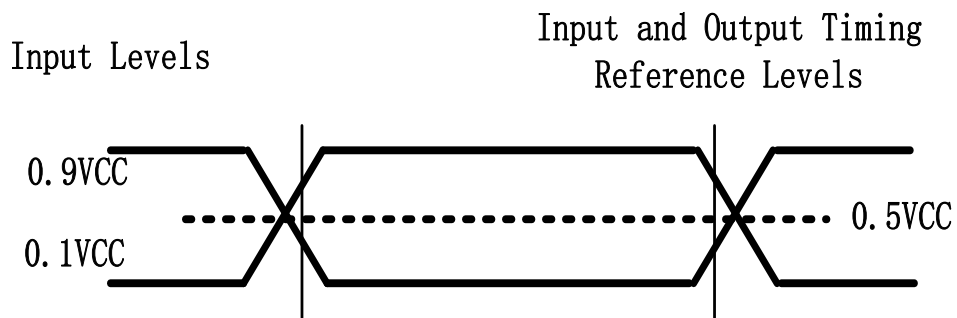


### 8.5 AC Measurement Conditions

| PARAMETER                        | SYMBOL | SPEC               |     | UNIT |
|----------------------------------|--------|--------------------|-----|------|
|                                  |        | MIN                | MAX |      |
| Load Capacitance                 | CL     |                    | 30  | pF   |
| Input Rise and Fall Times        | TR, TF |                    | 5   | ns   |
| Input Pulse Voltages             | VIN    | 0.1 VCC to 0.9 VCC |     | V    |
| Input Timing Reference Voltages  | IN     | 0.3 VCC to 0.7 VCC |     | V    |
| Output Timing Reference Voltages | OUT    | 0.5 VCC to 0.5 VCC |     | V    |

Note:

- 1. Output Hi-Z is defined as the point where data out is no longer driven.





## 8.6 AC Electrical Characteristics

| DESCRIPTION   | SYMBOL                         | ALT  | SPEC     |     |        | UNIT |
|---|--------------------------------|------|----------|-----|--------|------|
|   |                                |      | MIN      | TYP | MAX    |      |
| Clock frequency for Read Data instruction (03h)   | fR                             |      | D.C.     |     | 50     | MHz  |
| Clock frequency for QPI Read instructions (0Bh, EBh, 0Ch), with different dummy clocks                | FR                             | fC1  | D.C.     |     | 33~108 | MHz  |
| Clock frequency for all other SPI/QPI instructions  | FR                             | fC1  | D.C.     |     | 108    | MHz  |
| Clock High, Low Time for all instructions except for Read Data (03h)                                  | tCLH,<br>tCLL <sup>(1)</sup>   |      | 4        |     |        | ns   |
| Clock High, Low Time for Read Data (03h) instruction  | tCRLH,<br>tCRLL <sup>(1)</sup> |      | 8        |     |        | ns   |
| Clock Rise Time peak to peak  | tCLCH <sup>(2)</sup>           |      | 0.1      |     |        | V/ns |
| Clock Fall Time peak to peak  | tCHCL <sup>(2)</sup>           |      | 0.1      |     |        | V/ns |
| /CS Active Setup Time relative to CLK   | tSLCH                          | tCSS | 5        |     |        | ns   |
| /CS Not Active Hold Time relative to CLK  | tCHSL                          |      | 5        |     |        | ns   |
| Data In Setup Time  | tDVCH                          | tDSU | 2        |     |        | ns   |
| Data In Hold Time   | tCHDX                          | tDH  | 3        |     |        | ns   |
| /CS Active Hold Time relative to CLK  | tCHSH                          |      | 3        |     |        | ns   |
| /CS Not Active Setup Time relative to CLK   | tSHCH                          |      | 3        |     |        | ns   |
| /CS Deselect Time (for Array Read Array Read)   | tSHSL1                         | tCSH | 10       |     |        | ns   |
| /CS Deselect Time (for Erase or Program Read Status Registers)<br>Volatile Status Register Write Time | tSHSL2                         | tCSH | 50<br>50 |     |        | ns   |
| Output Disable Time   | tSHQZ <sup>(2)</sup>           | tDIS |          |     | 7      | ns   |
| Clock Low to Output Valid   | tCLQV1                         | tV1  |          |     | 7      | ns   |
| Clock Low to Output Valid (Non-array Read)  | tCLQV2                         | tV2  |          |     | 7.5    | ns   |
| Output Hold Time  | tCLQX                          | tHO  | 2        |     |        | ns   |
| /HOLD Active Setup Time relative to CLK   | tHLCH                          |      | 5        |     |        | ns   |



## 8.7 AC Electrical Characteristics (cont'd)

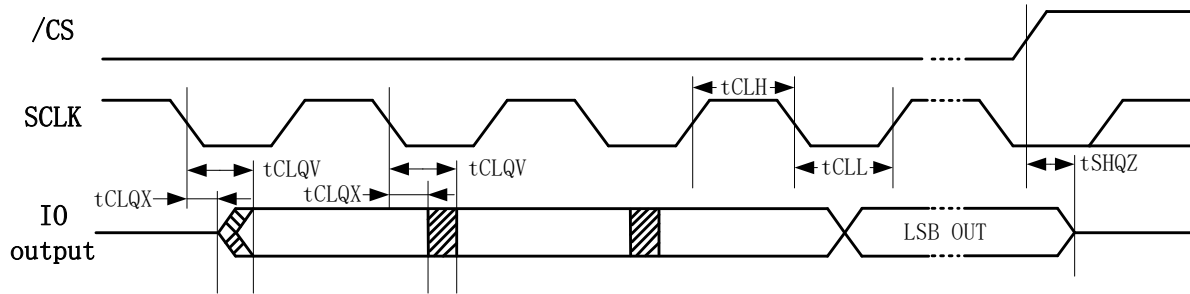
| DESCRIPTION  | SYMBOL                | ALT | SPEC             |     |      | UNIT |
|--|-----------------------|-----|------------------|-----|------|------|
|  |                       |     | MIN              | TYP | MAX  |      |
| /HOLD Active Hold Time relative to CLK                         | tCHHH                 |     | 5                |     |      | ns   |
| /HOLD Not Active Setup Time relative to CLK                    | tHHCH                 | fC1 | 5                |     |      | ns   |
| /HOLD Not Active Hold Time relative to CLK                     | tCHHL                 | fC1 | 5                |     |      | ns   |
| /HOLD to Output Low-Z  | tHHQX <sup>(2)</sup>  | tLZ |                  |     | 7    | ns   |
| /HOLD to Output High-Z   | tHLQZ <sup>(2)</sup>  | tHZ |                  |     | 12   | ns   |
| Write Protect Setup Time Before /CS Low                        | tWHSL <sup>(3)</sup>  |     | 20               |     |      | ns   |
| Write Protect Hold Time After /CS High                         | tSHWL <sup>(3)</sup>  |     | 100              |     |      | ns   |
| /CS High to Power-down Mode                                    | tDP <sup>(2)</sup>    |     |                  |     | 3    | μs   |
| /CS High to Standby Mode without ID Read                       | tRES1 <sup>(2)</sup>  |     |                  |     | 3    | μs   |
| /CS High to Standby Mode with ID Read                          | tRES2 <sup>(2)</sup>  |     |                  |     | 1.8  | μs   |
| /CS High to next Instruction after Suspend                     | tSUS <sup>(2)</sup>   |     |                  |     | 20   | μs   |
| /CS High to next Instruction after Reset                       | tRST <sup>(2)</sup>   |     |                  |     | 30   | μs   |
| /RESET pin Low period to reset the device                      | tRESET <sup>(2)</sup> |     | 1 <sup>(5)</sup> |     |      | μs   |
| Write Status Register Time                                     | tW                    |     |                  | 5   | 15   | ms   |
| Byte Program Time (First Byte) <sup>(4)</sup>                  | tBP1                  |     |                  | 30  | 50   | μs   |
| Additional Byte Program Time (After First Byte) <sup>(4)</sup> | tBP2                  |     |                  | 2.5 | 12   | μs   |
| Page Program Time  | tPP                   |     |                  | 0.7 | 3    | ms   |
| Sector Erase Time (4KB)  | tSE                   |     |                  | 60  | 300  | ms   |
| Block Erase Time (32KB)  | tBE1                  |     |                  | 300 | 800  | ms   |
| Block Erase Time (64KB)  | tBE2                  |     |                  | 500 | 1200 | ms   |
| Chip Erase Time  | tCE                   |     |                  | 60  | 120  | s    |

## Notes:

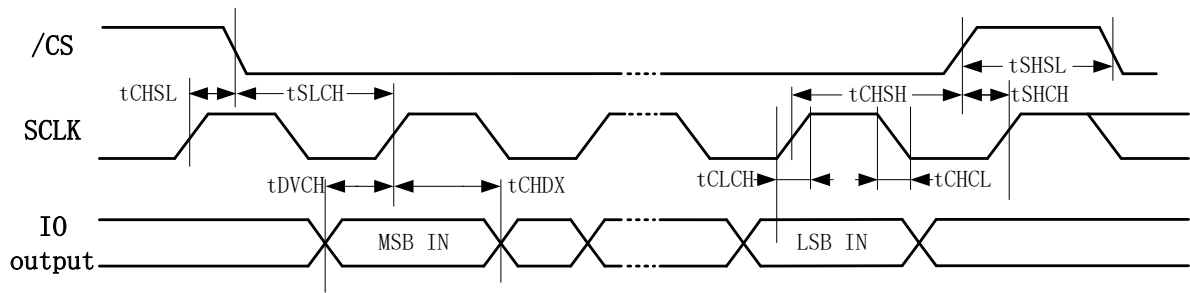
1. Clock high + Clock low must be less than or equal to 1/fC.
2. Value guaranteed by design and/or characterization, not 100% tested in production.
3. Only applicable as a constraint for a Write Status Register instruction when SRP[1:0]=(0,1).
4. For multiple bytes after first byte within a page, tBPN = tBP1 + tBP2 \* N (typical) and tBPN = tBP1 + tBP2 \* N (max), where N = number of bytes programmed.
5. It is possible to reset the device with shorter tRESET (as short as a few hundred ns), a 1us minimum is recommended to ensure reliable operation.
6. Tested on sample basis and specified through design and characterization data. TA = 25° C, VCC = 1.8V, 100% driver strength.



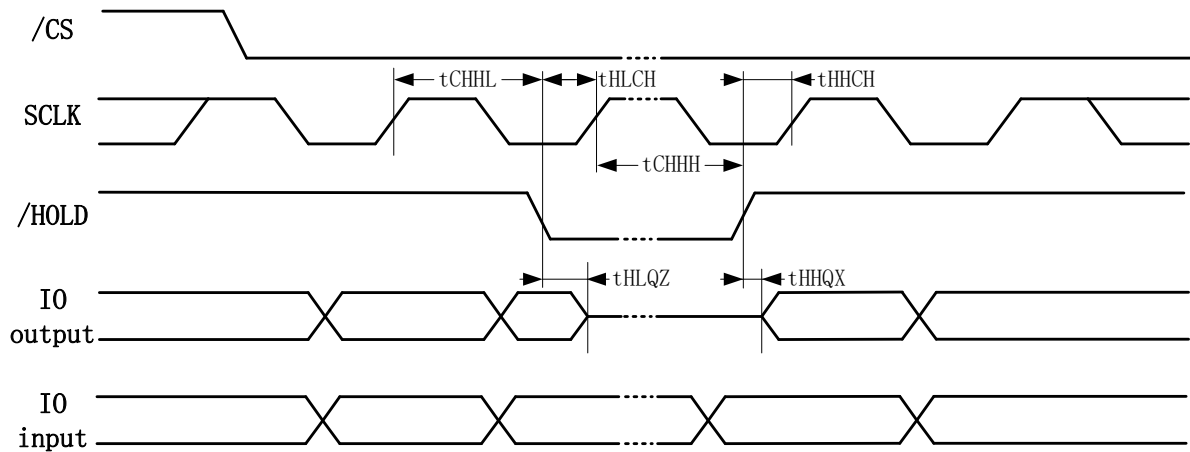
### 8.8 Serial Output Timing



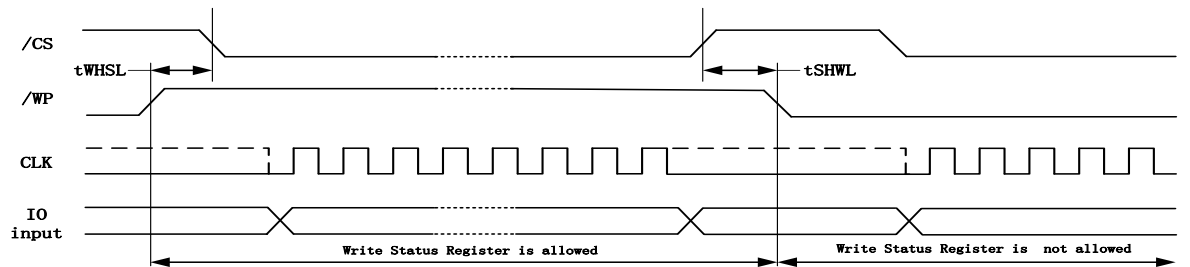
### 8.9 Serial Input Timing



### 8.10 /HOLD Timing



### 8.11 /WP Timing

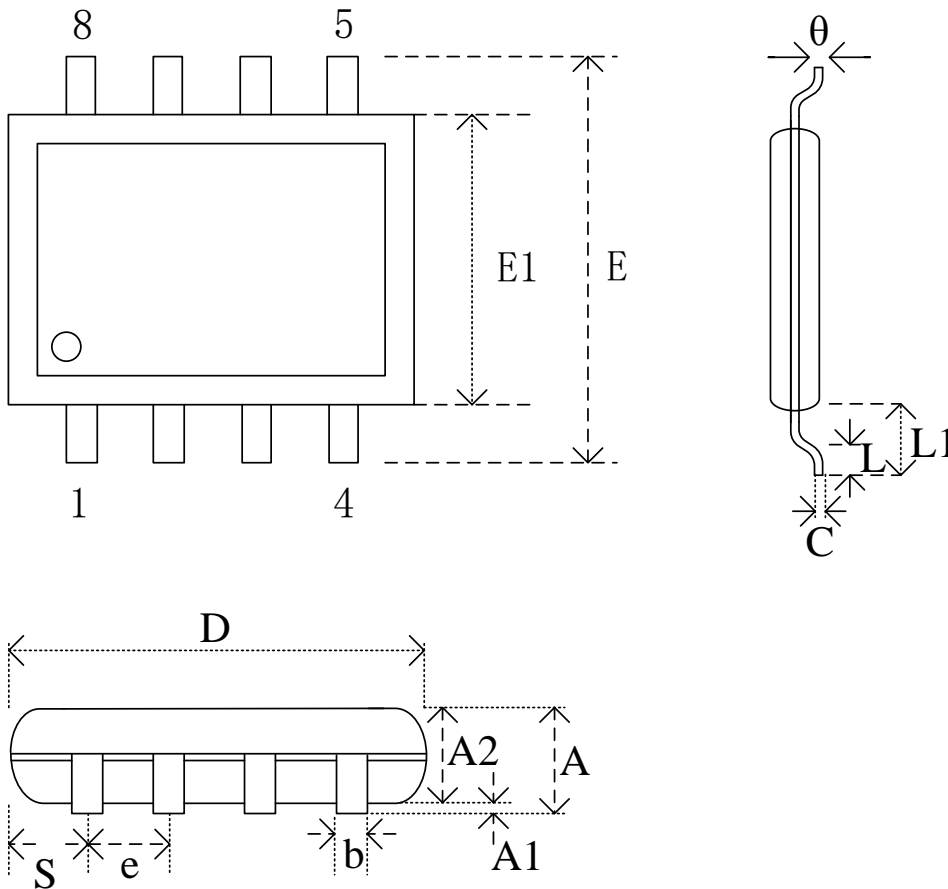






## 9. Package Information

### 9.1 Package 8-Pin VSOP8 208-mil

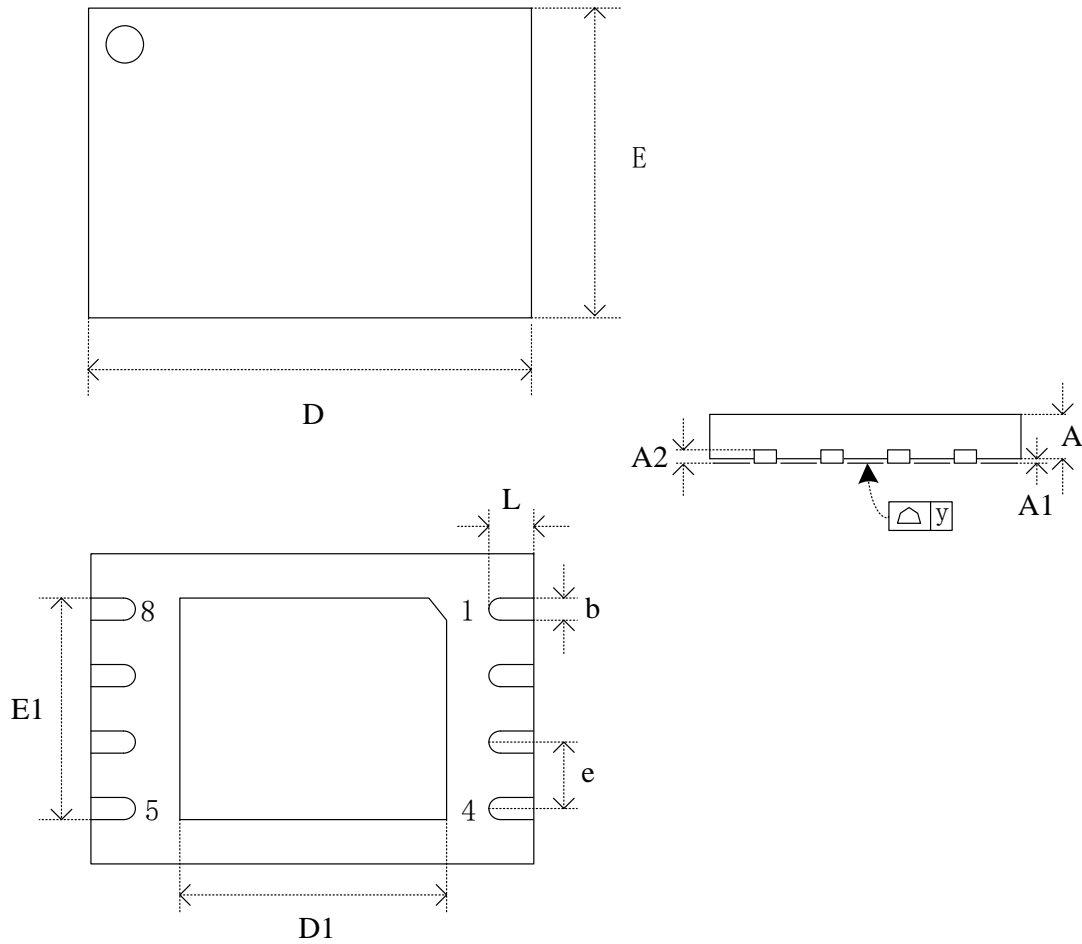


### Dimensions

| Symbol |     | A     | A1    | A2    | b     | C     | D     | E     | E1    | e     | L     | L1       | θ  |
|--------|-----|-------|-------|-------|-------|-------|-------|-------|-------|-------|-------|----------|----|
| Unit   |     |       |       |       |       |       |       |       |       |       |       |          |    |
| mm     | Min | -     | 0.05  | 0.75  | 0.35  | 0.09  | 5.18  | 7.70  | 5.18  | -     | 0.50  | 1.31REF  | 0° |
|        | Nom | -     | 0.10  | 0.80  | 0.42  | -     | 5.28  | 7.90  | 5.28  | 1.27  | 0.65  |          | -  |
|        | Max | 1.00  | 0.15  | 0.85  | 0.48  | 0.2   | 5.38  | 8.10  | 5.38  | -     | 0.80  |          | 8° |
| Inch   | Min | -     | 0.002 | 0.030 | 0.014 | 0.004 | 0.204 | 0.303 | 0.204 | -     | 0.020 | 0.052REF | 0° |
|        | Nom | -     | 0.004 | 0.031 | 0.017 | -     | 0.208 | 0.311 | 0.208 | 0.050 | 0.026 |          | -  |
|        | Max | 0.039 | 0.006 | 0.033 | 0.019 | 0.008 | 0.212 | 0.319 | 0.212 | -     | 0.031 |          | 8° |



9.2 Package 8-Pad WSON (6x5mm)



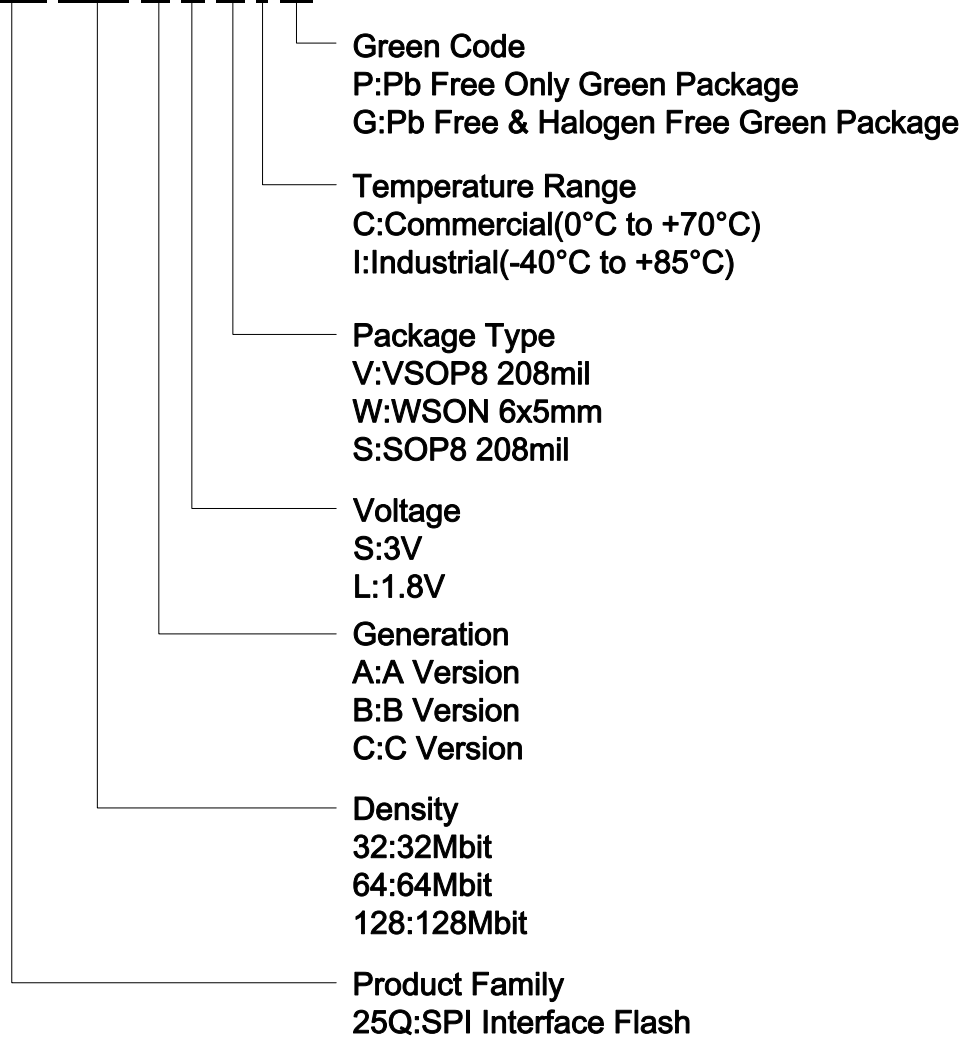
Dimensions

| Symbol |     | A     | A1    | A2    | b     | D     | D1    | E     | E1    | e    | y     | L     |
|--------|-----|-------|-------|-------|-------|-------|-------|-------|-------|------|-------|-------|
| Unit   |     |       |       |       |       |       |       |       |       |      |       |       |
| mm     | Min | 0.70  |       | 0.19  | 0.35  | 5.90  | 3.25  | 4.90  | 3.85  |      | 0.00  | 0.50  |
|        | Nom | 0.75  |       | 0.22  | 0.42  | 6.00  | 3.37  | 5.00  | 3.97  | 1.27 | 0.04  | 0.60  |
|        | Max | 0.80  | 0.05  | 0.25  | 0.48  | 6.10  | 3.50  | 5.10  | 4.10  |      | 0.08  | 0.75  |
| Inch   | Min | 0.028 |       | 0.007 | 0.014 | 0.232 | 0.128 | 0.193 | 0.151 |      | 0.000 | 0.020 |
|        | Nom | 0.030 |       | 0.009 | 0.016 | 0.236 | 0.133 | 0.197 | 0.156 | 0.05 | 0.001 | 0.024 |
|        | Max | 0.032 | 0.002 | 0.010 | 0.019 | 0.240 | 0.138 | 0.201 | 0.161 |      | 0.003 | 0.030 |



## 10. Order Information

**BY 25Q 128 A L V I G**





## 11. Document Change History

| Doc. Rev. | Tech Dev. Rev. | Effective Date | Change Description  |
|-----------|----------------|----------------|---|
| 1.0       | 1.0            | 2014-1-8       | Initiate  |
| 1.1       | 1.1            | 2015-10-8      | Updata Protect Table<br>Updata Individual Block/Sector Lock/ Unlock description |
|           |                |                |   |

## X-ON Electronics

Largest Supplier of Electrical and Electronic Components

*Click to view similar products for [NOR Flash](#) category:*

*Click to view products by [BOYAMICRO](#) manufacturer:*

Other Similar products are found below :

[AN82527F8](#) [MBM29F800BA-90PF-SFLE1](#) [8 611 200 906](#) [9990933135](#) [AT25DF021A-MHN-Y](#) [AT25DF256-SSHN-T](#) [EAN62691701](#)  
[MX25R1635FM1IL0](#) [PC28F320J3F75A](#) [8 905 959 252](#) [S29AS016J70BHIF40](#) [S29GL064N90FFI012](#) [S29GL256P11FFIV12](#)  
[S29GL256P11FFIV22](#) [S29PL064J55BFI120](#) [S70FL01GSAGMFV011](#) [S99-50389 P](#) [AM29F016D-120DPI 1](#) [AT25DF011-MAHN-T](#)  
[AT25DN011-MAHF-T](#) [AT25DN256-SSHF-T](#) [AT25DN512C-MAHF-T](#) [AT45DB161E-CCUD-T](#) [AT45DQ161-SHFHB-T](#) [AT45DQ161-](#)  
[SHFHD-T](#) [S29GL032N90FAI033](#) [S29GL064S70BHI030](#) [S29GL064S70BHI040](#) [S29GL256P11FFI012](#) [S29JL064J55TFI003](#)  
[S29PL127J70BAI020](#) [S99-50052](#) [MX25L6473EM2I-10G](#) [MX29GL128FLXGI-70G](#) [W29GL128CH9C](#) [W29GL128CH9B](#) [S99-50243 P](#)  
[S29GL512T12TFN010](#) [S29GL512T10DHI020](#) [S29AS008J70BFI030](#) [S25FS128SAGNFI000](#) [PC28F256M29EWH](#) [W29GL256SH9C](#) [S99-](#)  
[50239](#) [S70GL02GT11FHI010](#) [S70GL02GS11FHI020](#) [S29GL128P10TFI013](#) [S29GL032N11FFIS12](#) [S25FS128SAGMFV100](#)  
[S25FS064SDSNFN030](#)