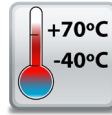


SW-725 Hardened Industrial 5 Port PoE+ Ethernet Switch

5 Port (Ports 1-4 PoE+) Unmanaged 10/100 Ethernet Switch DIN Mountable

- 5 port PoE+ 10/100 Fast Ethernet device
- Ports 1-4 PoE+ capable
- Fully compliant to IEEE 802.3af/at
- PoE Power Budget: 90W @ 70°C
- Industrial temp range: -40°C to +70°C
- Redundant dual power inputs: +44V to +57V DC
- Compact design with integral DIN mount
- Allows power and data to be combined on the same Ethernet cable



Send power and data to remote CCTV cameras, PoE telephones, PoE Wifi access points, NVRs, and more



Tough metal casing with removable numbered power terminal for easy wiring



Integral DIN mount and slim design takes up minimal cabinet space

SW-725

Hardened Industrial 5 Port PoE+ Ethernet Switch

90W PoE Power Budget shared between 4 Ethernet Ports

-40°C to +70°C/-40°F to +158°F temperature range

Ports 1-4 IEEE 802.3af/at compliant: deliver up to 30W to each port (backwards compatible) with IEEE

Tough metal case

Automatic detection of data transmission speed: 10 or 100 MBps



Integral DIN mount with ground

Power consumption is optimised based on the status of the link device

2k Byte maximum packet size – improves the efficiency of bulk data transfer and system performance

Easy Wire Removable screw terminal block

Dual redundant power input: +44VDC to +57VDC

Connectors

Screw Terminals

3.5mm pitch, #22 - #14, 0.5mm²-2.5mm² pin power supply

Wire Thickness

0.150 inch, 3.81mm, 20 pins, 12+8 screw terminals, #26 - #16 AWG, 0.14mm²-1.3mm²

Power Supply

Power Consumption

4 Watts Max : 91mAmps@+44VDC/70mAmps@+57VDC

PoE Power Budget

90W @ 70°C

Power Supply input

Unregulated +44V to +57Volts DC, reverse polarity protection

Isolation

1500VRMS Magnetic isolation from Ethernet

Environmental

Operating Temperature

-40°C to +70°C/-40°F to +158°F

Storage Temperature

-40°C to +70°C/-40°F to +158°F

Ambient Relative Humidity

5 to 95% (non-condensing)

Magjack LED Information

Link/Activity LED

Solid green	Connection established
Flashing Green	Data communication

PoE Power LED (Ports 1-4)

Solid Yellow	PoE Power ON
Flashing Yellow	Power Warning

Ethernet

Ethernet Port

5 x RJ45 jack, 10/100Mhz autosensing, crossover auto sensing (Auto MDIX)

Protection

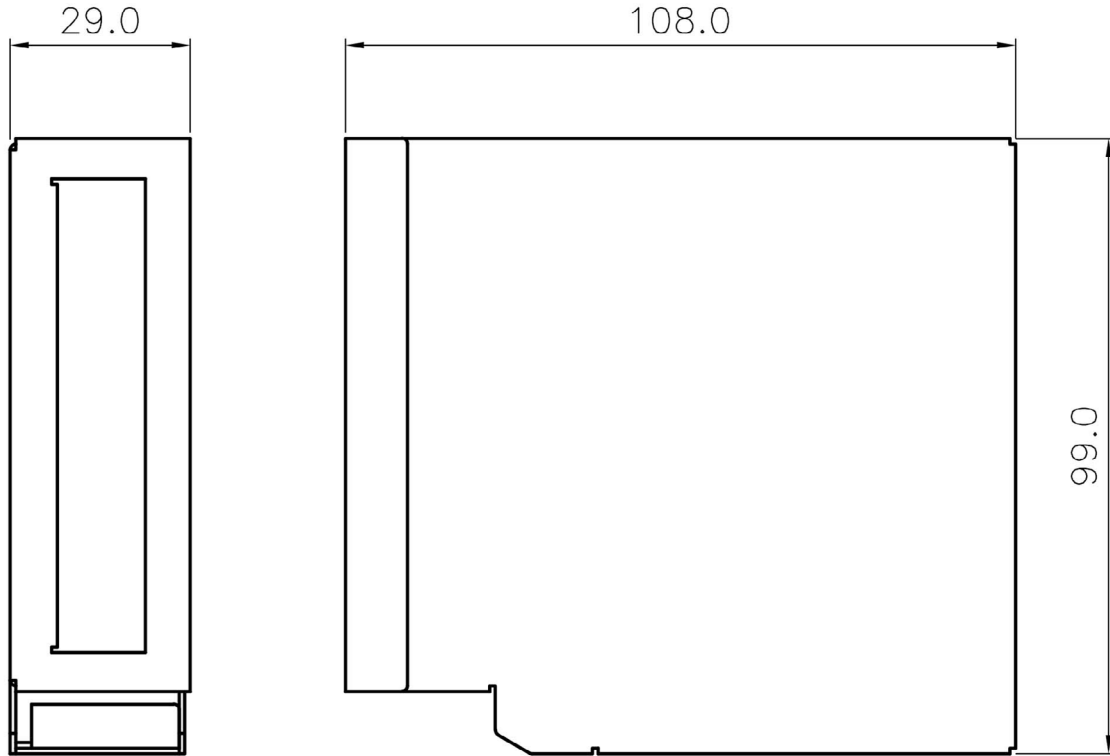
1,500 Volts magnetic isolation between ports

Housing

IP-20 rated non-conducting polyamide case

SW-725

Hardened Industrial 5 Port PoE+ Ethernet Switch



Ethernet Ports x4 Pin Outs

PoE Pinout 1/2(V+) 3/6(V-) Endspan Mode A

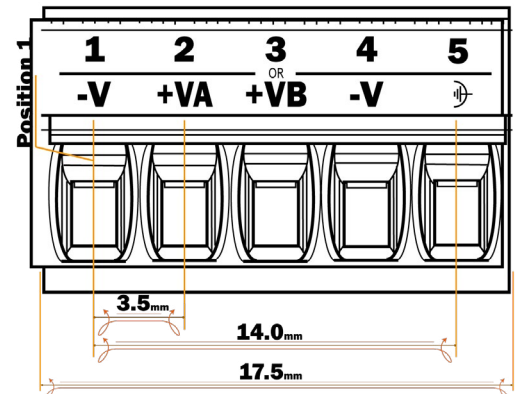
PIN	FUNCTION
1	Tx+ DC+
2	Tx- DC+
3	Rx+ DC-
4	unused
5	unused
6	Rx- DC-
7	unused
8	unused

5 position 3.5mm pitch socket compatible with Euroblock pluggable terminal block connectors

Power Terminal Pin Outs

PIN	FUNCTION
1	-V
2	+VA
3	+VB
4	-V

5 position 3.5mm pitch pluggable terminal block included



Lifetime Warranty and Support:

We can help with every aspect of your project, from getting you up and running to custom application.

SW-725

Hardened Industrial 5 Port PoE+ Ethernet Switch

Product Information

Product Weight	0.33kg, 11.64 ounces
Product Dimensions	120x100x30 mm, 4.7x3.9x1.19 inches

Packaging Information

Packaging	Quick Start Guide, Device
Packaged Weight	0.44 kg, 15.5 ounces
Packaged Dims	160x135x49 mm, 6.3x5.3x1.9 inches
GTIN Universal Code	837324004564

Industry Approvals

	Microsoft Certified Gold Partner, WEEE, RoHS, AEO (C-TPAT), CE, UKCA, METL Complies with UL62368-1
HTS	8517620000
ECCN	5A991.b
CAGE	8QCY6

Warranty

Lifetime - online registration required

Support

Lifetime Web, Email & Phone Support from fully qualified, friendly staff who work in and alongside the Product Development Team

Standards

ISO9001, ISO14001

OEM option

Available for bulk buy OEM

COO (Country of Origin)

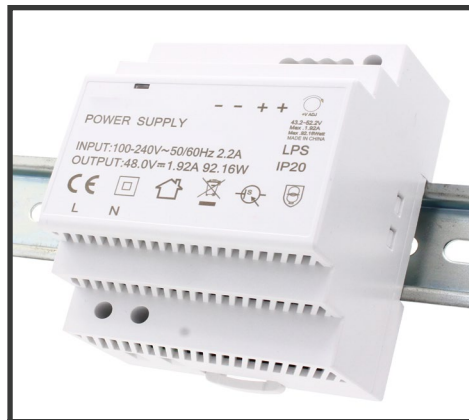
GB

Made In

Manufactured in GB by Brainboxes



PW-323
PoE Splitter



PW-301
DIN Rail Power Supply



SW Range
Switch products available
in a range of formats and
specifications.
www.brainboxes.com

X-ON Electronics

Largest Supplier of Electrical and Electronic Components

Click to view similar products for [Ethernet Modules](#) category:

Click to view products by [Brainboxes](#) manufacturer:

Other Similar products are found below :

[TDKEZW3](#) [V23993-USB1029A](#) [100-POE4](#) [X520QDA1](#) [BCM84794A1KFSBG](#) [X520DA2OCP](#) [808-38157](#) [7506GX2](#) [TC EXTENDER 2001](#)
[ETH-2S](#) [105FX-SC-MDR](#) [110FX2-SC](#) [7000-P3201-P050150](#) [750-451](#) [750-494](#) [750-495](#) [750-501](#) [750-612](#) [750-627](#) [750-643](#) [750-652](#) [750-](#)
[653/003-000](#) [750-940](#) [753-440](#) [753-540](#) [852-1812](#) [852-1813](#) [852-1816](#) [LANTICK PE-0-16](#) [LANTICK PE-16-0](#) [RBMTXLITE-](#)
[L4X2.X.X.X.X.](#) [EKI-7708E-4F-AE](#) [EKI-7708E-4FP-AE](#) [EKI-7708G-4FP-AE](#) [2352903-2](#) [753-620](#) [EKI-2706G-1GFPI-BE](#) [SW-125](#) [7000-](#)
[74712-4780030](#) [7000-74712-4780060](#) [7000-74712-4780100](#) [7000-74712-4780150](#) [750-331](#) [753-649](#) [852-1200](#) [852-1210](#) [852-1280](#)
[PM02TWA](#) [ICR-1601G](#) [BOXER-6641-A1-1110](#) [EKI-7712G-4F-AE](#)