

GB Mobile rechargeable battery LED lamp flexible

ML CA 120 F IP54 / ML CA 130 F IP54

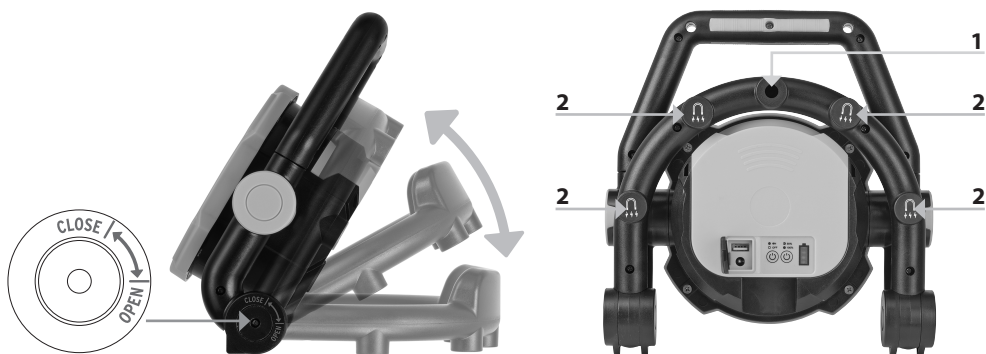
SAFETY INFORMATION:

- Please read the operating instructions carefully prior to use and do not throw them away.
- Prior to every use, check the lamp and power adapter for damage. Never use the lamp or power adapter if there is any damage. In this case, please contact an electrician or write to the service address provided by the manufacturer.

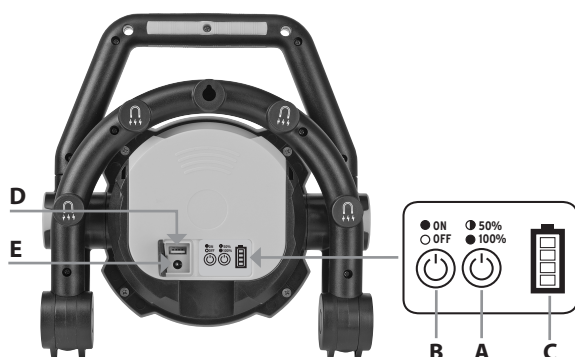
Non-compliance may result in risk to life due to electrical shock!

- Never open the device. The lamp does not contain any components that require maintenance. The LEDs cannot be replaced.
- Do not use the work lamp in explosive environments in which flammable liquids, gases or dusts are present. Risk to life!
- When the battery is properly installed, the lamp is protected against spray water. Never submerge the lamp or its individual components in water or other liquids. Risk of explosion and fire!
- Keep children away from the lamp. Children cannot estimate the risk of electric shock.
- Only use the included power adapter or car charger to charge the batteries. Using other power adapters or car charger cables may damage the batteries or result in an explosion!
- Disconnect the power supply from the electricity prior to cleaning and switch the lamp off. Clean the lamp regularly with a dry, lint-free cloth. To remove dirt, a damp cloth can be used. Do not use any solvents, caustic cleaning agents, etc.
- To prevent blinding, do not look directly into the light.

SET-UP/ MOUNTING THE LAMP:



For set-up, the battery-operated lamp can be unfolded to several settings, but, at most, to the "OPEN" marking. Do not force the lamp further open since this would damage the mechanism! The lamp can be hung up on a hook on the frame using the mounting opening (1) or on a metal surface using the magnets (2). Please make sure the surface is stable in order to avoid damage to the product or injuries to persons!

SWITCHING THE LAMP ON AND OFF:

Press the (B) button to turn on the lamp. By pressing the (A) button, the brightness can be set to 100% or 50%.

When selecting 50%, the service life of the lamp extends in comparison to the 100% setting as it consumes less energy.

Press the (B) button again to turn the lamp off.

BATTERY STATUS DISPLAY (C):

Displays the current charging status of the battery, or, how much energy is still available. If all 4 LEDs are lit, the battery is fully charged. If the battery is nearly empty, the LED blinks 5 times and the battery status indicator blinks continuously. Then the lamp will remain lit for approx. 5-10 minutes, before the deep discharge protection shuts the lamp off. This provides sufficient time to replace the battery or stop working.

CHARGING DEVICES WITH A USB CHARGING CABLE (E.G. SMARTPHONES):

Suitable for products with a charging current of max. 2000 mA. To charge the depleted unit, connect a USB charging cable to the USB charging port (D) under the cover on the battery. After charging, put the cover back on.

CHARGING THE BATTERY:

- To ensure optimum functionality, we ensure completely discharging the battery during initial use and then fully charging it.
- The charging socket (E) is under the cover on the battery.
- The battery charging status can be determined by reading the battery status (see description above). If all 4 LEDs are lit, the battery is fully charged.
- The lamp can be operated while charging, however, it is not possible to use the USB output while charging the battery. In order to charge the battery, the lamp is only operated with reduced illuminance while charging. The time required to charge the battery increases significantly in this operating mode.
- The battery can also be charged separately from the lamp, see also the "Replacing the battery" section.
- If the lamp is not in use for longer periods of time, charge the battery approximately every 3 months to ensure a long battery life.
- After charging, make sure to close the charging port with the cap.

REPLACING THE BATTERY:

The battery can be easily and quickly replaced. Press the lock (F) forward and then slide the battery up and out, see drawing. It is therefore possible to charge one battery and continue working with a separately available replacement battery.

TECHNICAL SPECIFICATIONS:

Type description	ML CA 120 F IP54	ML CA 130 F IP54
Output	20 W	30 W
Batteries	Li-Ion 7.4 V, 7800 mAh	Li-Ion 7.4 V, 10400 mAh
Power adapter Input power	100-240 V AC, 50/60 Hz, 0.8 A	100-240 V AC, 50/60 Hz, 0.8 A
Power adapter Output power	12 V DC 1500 mA	12 V DC 2000 mA
Car charger	12 V DC/max. 2 A	12 V DC/max. 2 A
Operating time	approx. 3.5 h (100%) resp. 7 h (50%)	approx. 2.5 h (100%) resp. 5 h (50%)
Charging time	approx. 4.5 h	approx. 4.5 h
USB output	5 V, max. 2000 mA	5 V, max. 2000 mA
Protection class	IP 54*	IP 54*
Temperature range	-5°C – +40°C	-5°C – +40°C

* only if the battery pack is installed correctly, not during the charging process or when using the USB output.

**Disposal****Do not dispose of electrical appliances with the household rubbish!**

In accordance with Directive 2012/19/EC on waste electrical and electronic equipment and the corresponding national law, used electrical equipment must be separated from the rubbish and reused or recycled in an environmentally responsible manner. Please contact your local authorities for available disposal options for your used device.

**Incorrect disposal of batteries and rechargeable batteries can harm the environment!**

Batteries and rechargeable batteries do not belong in the household waste.

They can contain poisonous heavy metals and are subject to treatment as hazardous wastes. Take your used batteries to a municipal collection site.

Manufacturer

Hugo Brennenstuhl GmbH & Co. KG
Seestraße 1 – 3 · D-72074 Tübingen

H. Brennenstuhl S.A.S.
4 rue de Bruxelles · F-67170 Bernolsheim

lectra-t ag
Blegistrasse 13 · CH-6340 Baar

Please visit the Service/FAQ section of our homepage, www.brennenstuhl.com, for more information.

X-ON Electronics

Largest Supplier of Electrical and Electronic Components

Click to view similar products for [brennenstuhl](#) manufacturer:

Other Similar products are found below :

[1172900100](#) [1172900301](#) [1171263111](#) [1171253333](#) [1171263211](#) [1171433](#) [1171423](#) [1171253133](#) [1168460](#)