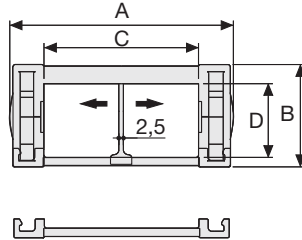


Serie Medium

SR305A Nylon Cable Chain with removable frames

Inner height (D) 24 mm

Double share single link joining construction with large anti-friction single-pin. Frames removable from inner radius. Vertical separators are available. Wide frames on outer radius offer good protection. Due to its design with double-share lateral side, the chain is very robust, meanwhile offering very low friction.



Separator

- Unassembled	Part.no S305
- Assembled	Part.no S305MC

Pin

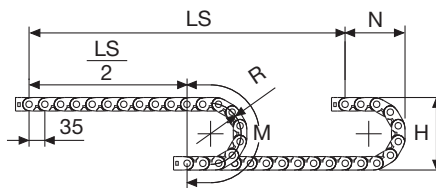
Part.no PG305

Technical characteristics when self-supported

Speed	10 m/s
Acceleration	50 m/s ²

For higher requirements please consult our technical dept.

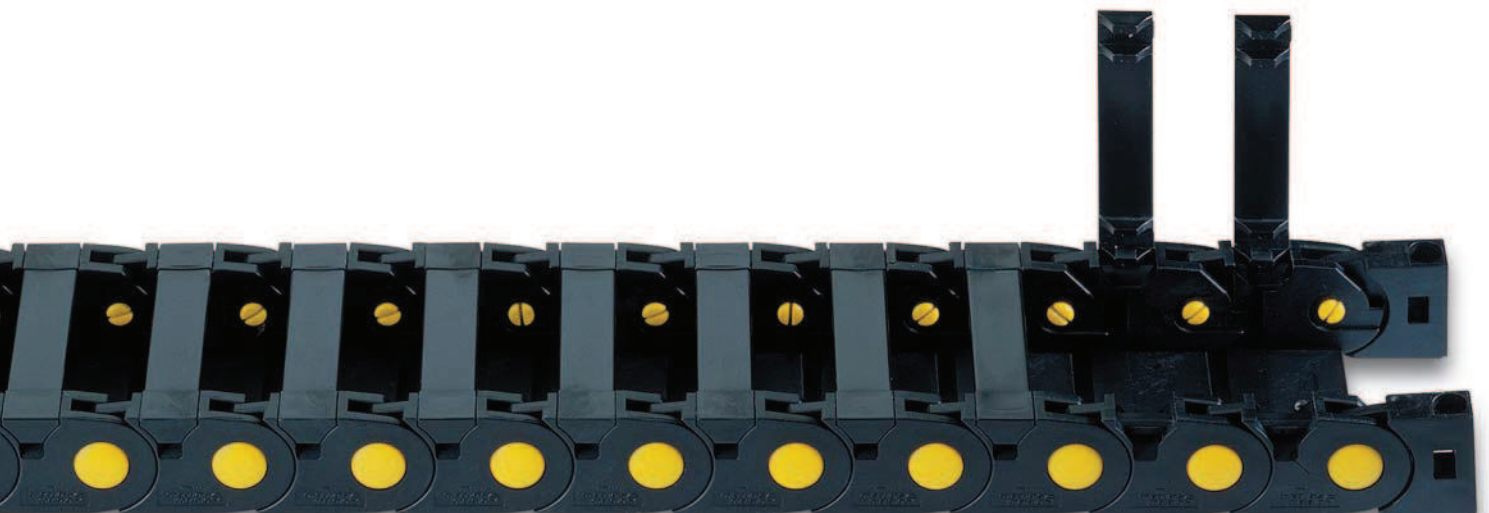
A	B	C	D	R	Weight/m	Chain
mm	mm	mm	mm	mm	kg	Part Number
54	30	30	24	50	0,85	SR305A008
54	30	30	24	70	0,85	SR305A010
54	30	30	24	120	0,85	SR305A020
54	30	30	24	150	0,85	SR305A050
74	30	50	24	50	0,95	SR305A009
74	30	50	24	70	0,95	SR305A030
74	30	50	24	120	0,95	SR305A040
74	30	50	24	150	0,95	SR305A060



R	H	N	M
mm	mm	mm	mm
50	130	105	230
70	170	120	290
120	270	175	450
150	330	205	545

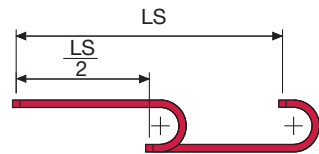
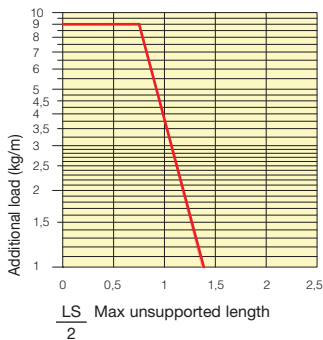
Length of chain (L)
Half travel distance ($\frac{LS}{2}$)
plus length of curve (M)

$$L = \frac{LS}{2} + M$$



Self-Supporting Capacity Diagram

The maximum length of the self-supporting capacity ($\frac{LS}{2}$) in relationship to the weight of the cables and hoses contained per linear metre.



The red marking in the diagram area considers the difference of weight between various widths of chain.

For applications with $\frac{LS}{2}$ and weights not included in the area of the diagram showing self-supporting capacity, verify the possible use of support rollers (see page 30).

End Brackets

The end brackets set allows the two ends of the chain to be attached to the equipment.

Nylon Type

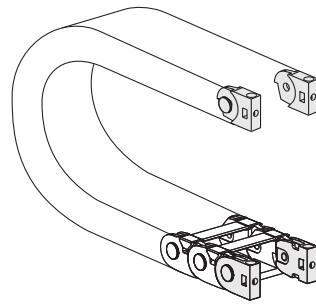


Fig. A
The chain can be fixed frontally, inner or outer radius. (Fig A)

Bright Zinc Plated Steel Type***

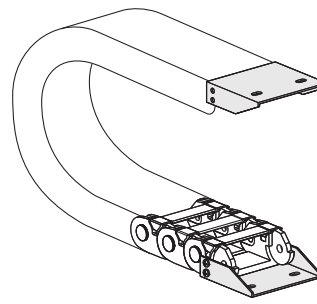
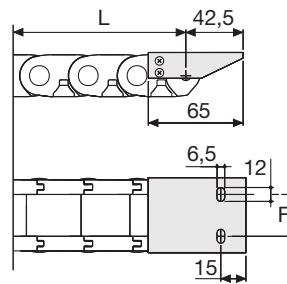
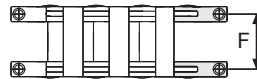
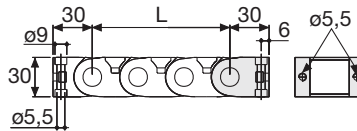


Fig. B
Chain fixed outside the radius. (Fig B)
See end brackets mounting variations page 31.



Chain Type	F mm
SR305A C=30	42,5
SR305A C=50	62,5

Chain Type	F mm
SR305A C=30	30,5
SR305A C=50	50,5

Nylon Type Part Numbers

Complete Set Assembled	
Chain Type	End Brackets Set
SR305A C=30	AN305KM
SR305A C=50	AN305KM

Complete Set Unassembled	
Chain Type	End Brackets Set
SR305A C=30	AN305K
SR305A C=50	AN305K

Bright Zinc Plated Steel Type Part Numbers

Complete Set Assembled	
Chain Type	End Brackets Set
SR305A C=30	AP305AKM1
SR305A C=50	AG305AKM1

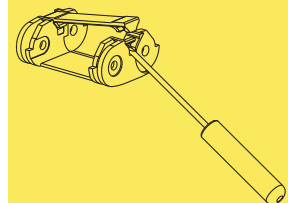
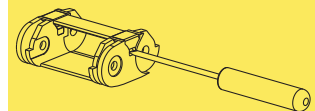
Complete Set Unassembled	
Chain Type	End Brackets Set
SR305A C=30	AP305AK1
SR305A C=50	AG305AK1

*** Available on request in stainless steel

Serie Medium

SR305A

Nylon Cable Chain
with removable frames



How to open the cover.

Special tool to remove the connecting pivots:
Part Number PZ010.



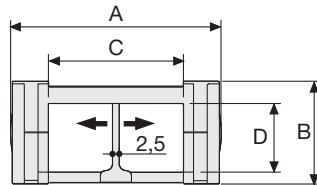
For further information please consult Brevetti Stendalto's Technical Office

Serie Medium

SR305 Nylon Cable Chain

Inner height (D) 23 mm

Double share single link joining construction with large anti-friction single-pin. Non-opening. Vertical separators are available. Due to its design with double-share lateral side, the chain is very robust, meanwhile offering very low friction. Used with guide channels, this chain is particularly suitable for long distance travel.



Separator*

- Unassembled	Part.no S305
- Assembled	Part.no S305MC

Pin

Part.no PG305

Technical characteristics when self-supported

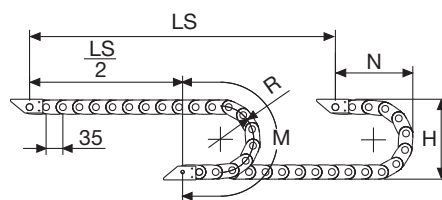
Speed	10 m/s
Acceleration	50 m/s ²

For higher requirements please consult our technical dept.

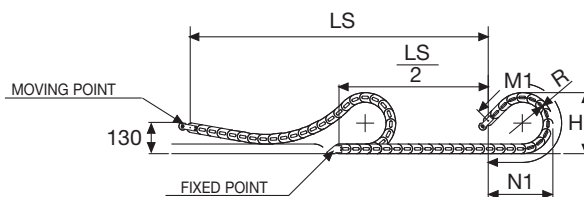
For sliding applications, technical data can slightly change according to frequency, added weight and environment.

*Separator not to be used in long-stroke applications

A	B	C	D	R	Weight/m	Chain
mm	mm	mm	mm	mm	kg	Part Number
54	30	30	23	50	0,90	SR305008
54	30	30	23	70	0,90	SR305010
54	30	30	23	120	0,90	SR305020
54	30	30	23	150	0,90	SR305050
74	30	50	23	50	1,00	SR305009
74	30	50	23	70	1,00	SR305030
74	30	50	23	120	1,00	SR305040
74	30	50	23	150	1,00	SR305060

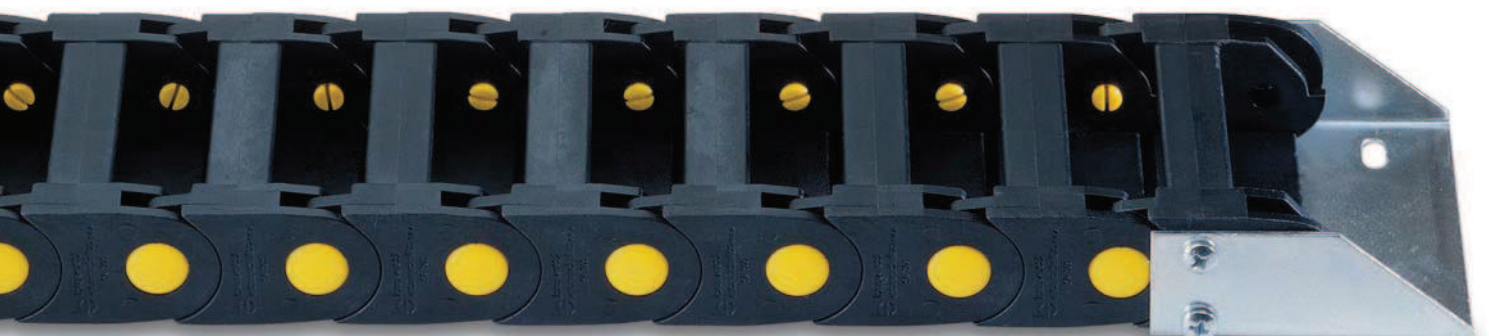


R	H	N	M	N1	M1
mm	mm	mm	mm	mm	mm
50	130	105	230	125	270
70	170	120	290	160	365
120	270	175	450	330	800
150	330	205	545	435	1065



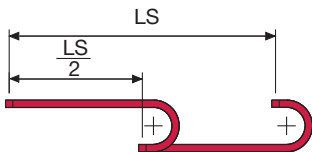
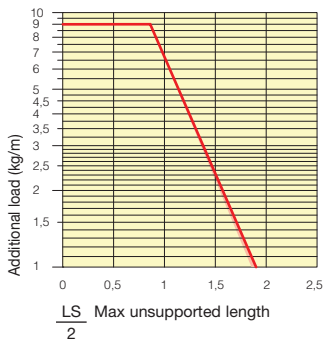
Length of chain (L)
Half travel distance ($\frac{LS}{2}$)
plus length of curve (M) or (M1)

$$L = \frac{LS}{2} + M \text{ or } M1$$



Self-Supporting Capacity Diagram

The maximum length of the self-supporting capacity ($\frac{LS}{2}$) in relationship to the weight of the cables and hoses contained per linear metre.



The red marking in the diagram area considers the difference of weight between various widths of chain.

For applications with $\frac{LS}{2}$ and weights not included in the area of the diagram showing self-supporting capacity, verify the possible use of support rollers (see page 30).

End Brackets

The end brackets set allows the two ends of the chain to be attached to the equipment.

Nylon Type

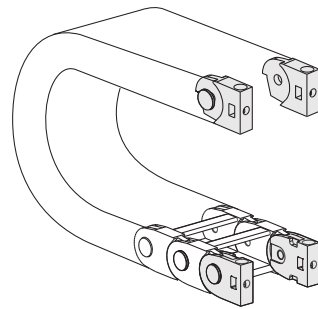


Fig. A
The chain can be fixed frontally, inner or outer radius. (Fig A)

Bright Zinc Plated Steel Type***

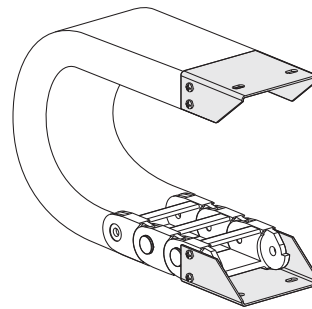
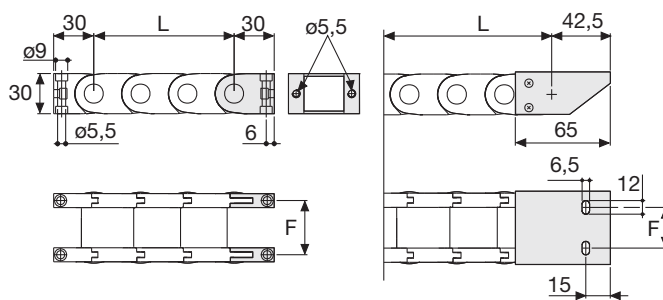


Fig. B
Chain fixed outside the radius. (Fig B)
See end brackets mounting variations page 31.



Chain Type	F mm
SR305 C=30	40,5
SR305 C=50	60,5

Chain Type	F mm
SR305 C=30	30,5
SR305 C=50	51,5

Nylon Type Part Numbers

Complete Set Assembled	
Chain Type	End Brackets Set
SR305 C=30	AN305KM
SR305 C=50	AN305KM

Complete Set Unassembled	
Chain Type	End Brackets Set
SR305 C=30	AN305K
SR305 C=50	AN305K

Bright Zinc Plated Steel Type Part Numbers

Complete Set Assembled	
Chain Type	End Brackets Set
SR305 C=30	AP305KM□**
SR305 C=50	AG305KM□**

Complete Set Unassembled	
Chain Type	End Brackets Set
SR305 C=30	AP305K□**
SR305 C=50	AG305K□**

** 1=Pos.1; 2=Pos.2; 3=Pos.3

*** Available on request in stainless steel

Serie Medium

SR305 Nylon Cable Chain

3



Suitable to long travel distance.
To choose the guide channel see page 84

Special tool to remove the connecting pivots:
Part Number PZ010.



For further information please consult Brevetti Stendalto's Technical Office

X-ON Electronics

Largest Supplier of Electrical and Electronic Components

Click to view similar products for [Brevetti manufacturer:](#)

Other Similar products are found below :

[250L035028](#) [250L035038](#) [250L035060](#) [250L035100](#) [250L050100](#) [250LE015038](#) [250LI050028](#) [250LI050038](#) [300015040](#) [300015060](#)
[300025040](#) [300025060](#) [300025080](#) [300035040](#) [300035080](#) [325L040075](#) [325L040150](#) [325LE040060](#) [325LE060050](#) [325LE060060](#)
[325LE060150](#) [325LE076100](#) [325LE076150](#) [325LI040050](#) [325LI040075](#) [325LI060075](#) [325LI103050](#) [325PI060075](#) [335PS076100](#)
[435PU040075](#) [435PU040100](#) [435PU050100](#) [435PU050125](#) [A300035K1](#) [A300A050K](#) [A325LK](#) [AG305AK1](#) [AG400K1](#) [AN20012K](#)
[AN20035K](#) [AN250L015K1](#) [AN250L025K1](#) [AN250L035K1](#) [AN300A015K](#) [AN300A050K](#) [AN300A075K](#) [AN305K](#) [AN325L040K](#)
[AN325L060K](#) [AN325P040K](#)