

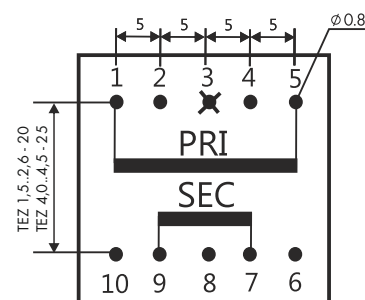
Power: **2,8VA**  
 Rated voltage PRI: **400V 50/60Hz**  
 Permissible long-term supply voltage: **1,2x400V=480V**  
 Rated voltage SEC: **12V**  
 Nominal current: **0,235A**

Transformer for printed circuit boards designed mainly for building into power supply systems of electronic devices. It features small dimensions, compact build and increased resistance for mechanical and climate factors (cast resin). This transformer is made at IP00 protection grade, maximum ambient temperature 40°C, thermal class of insulation B (130°C). Manufactured in compliance with EN61558-2-1, EN61558-2-4, EN61558-2-6.

Art. Nr	Type	Power	ta	Dimensions [mm]					Weight [kg]
		[VA]	[°C]	A	B	C	a1	a2	
16012-9890	TEZ 3,0/D	3,0	40	28	33	35	20	20	0,14



Example of identification of pinouts order based on TEZ 10.



Typical leads	
PRI	1xSEC
1 - 5	7 - 9

Suggested hole for pins in the PCB board: 1,2mm.

## X-ON Electronics

Largest Supplier of Electrical and Electronic Components

*Click to view similar products for [Power Transformers](#) category:*

*Click to view products by [Breve Tufvassons](#) manufacturer:*

Other Similar products are found below :

[F-181U](#) [F-204U](#) [F-206U](#) [F-227X](#) [F-23U](#) [F-264U](#) [F-267U](#) [F-35U](#) [F-412X](#) [F-55X-1](#) [F-68U](#) [F-71U](#) [F-72Z](#) [F-74U](#) [F-83A](#) [F-84AC](#) [F-85U](#) [F-86U](#) [F-9U](#) [PCT-02](#) [PCT-03](#) [PCT6630](#) [PF2.5-20](#) [PPC-46](#) [PPC-58](#) [PSD4-36](#) [GSD-150](#) [11E009H](#) [11E012H](#) [DSW-2120](#) [DSW-228](#) [DSW-310](#) [DSW-3120](#) [DSW-356](#) [DSW-412](#) [DSW-4120](#) [DSW-424](#) [DSW-448](#) [DSW-456](#) [DSW-556](#) [DSW-610](#) [DSW-6120](#) [DSW-624](#) [DSWC-712](#) [EN216B](#) [N-39X](#) [N-49X](#) [N-4MG-1](#) [N-7A](#) [20-22-150](#)