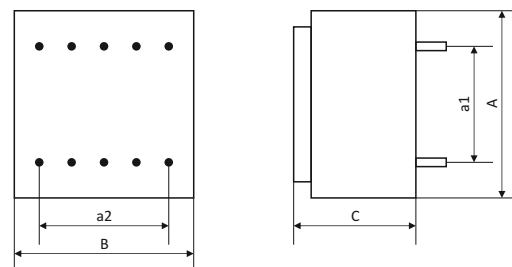
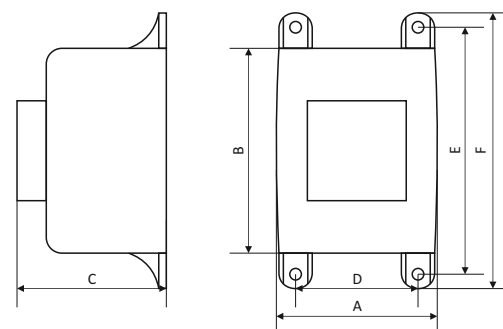




TEZ 0,5 - 16



TEZ 20 - 30



Pin spacing on the page 2.

Rated power: **0,5 - 30VA**  
 Rated voltage PRI: **24 - 500V 50/60Hz**  
 Rated voltage SEC: **6 - 500V**

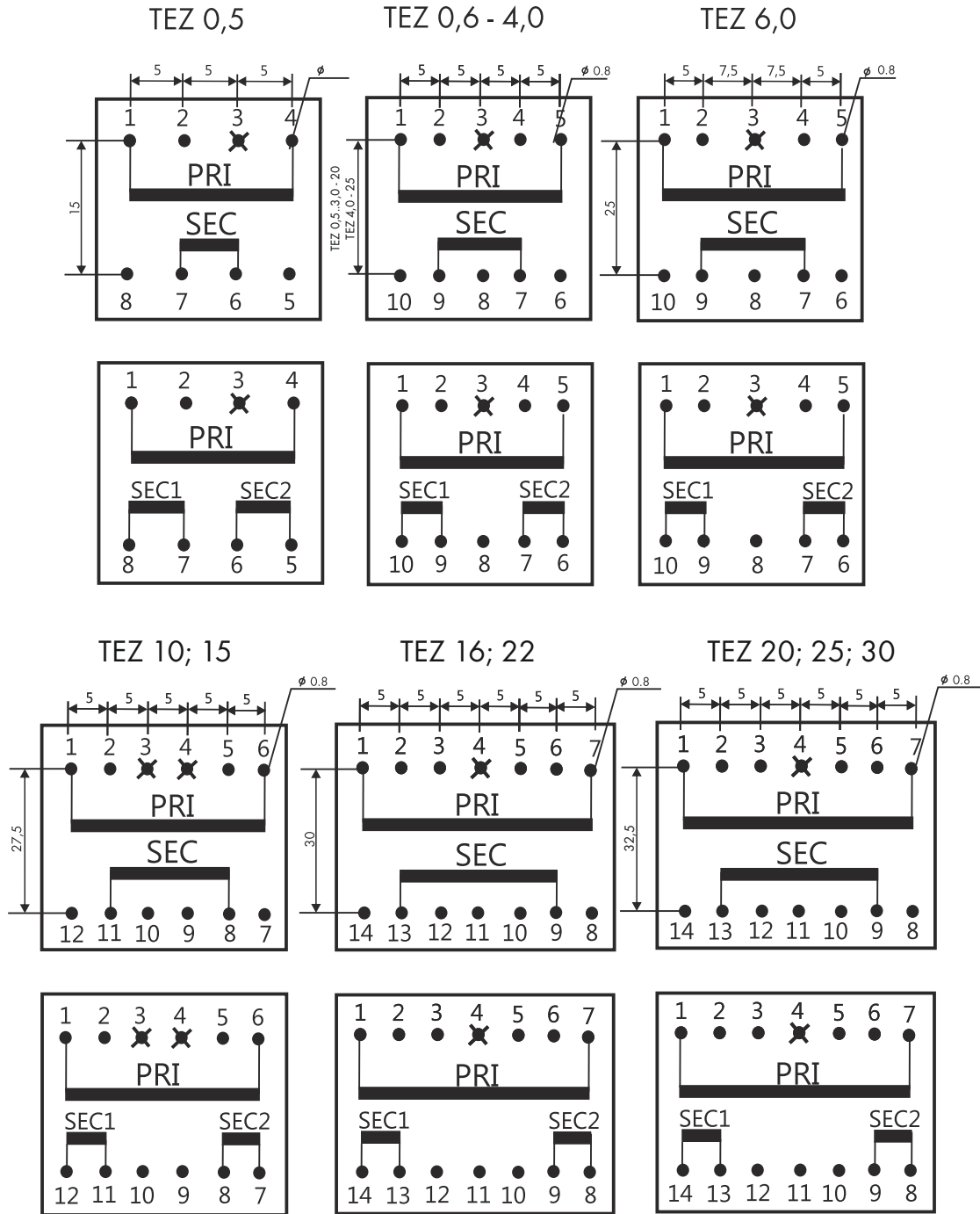
Transformers for printed circuit boards designed mainly for building into power supply systems of electronic devices. They feature small dimensions, compact build and increased resistance for mechanical and climate factors (cast resin). The transformers are made at IPOO protection grade, maximum ambient temperature 40°C or 60°C, thermal class of insulation B (130°C). Manufactured in compliance with EN61558-2-1 and EN61558-2-6.

Type	Typical leads		
	PRI	1xSEC	2xSEC
TEZ 0,5	1 - 4	6 - 7	5 - 6, 7 - 8
TEZ 1,5 / 1,8 / 2,0 / 2,1 / 2,3 / 2,5 / 2,6	1 - 5	7 - 9	6 - 7, 9 - 10
TEZ 3,0 / 4,0 / 4,5 / 6,0	1 - 5	7 - 9	6 - 7, 9 - 10
TEZ 10,0 / 15,0	1 - 6	8 - 11	7 - 8, 11 - 12
TEZ 16,0 / 20,0 / 22,0 / 25,0 / 30,0	1 - 7	9 - 13	8 - 9, 13 - 14

Due to the constant development of the construction and changes in technical requirements, Breve Tufvassons reserves the right to change the above parameters.

Type	Power [VA]	ta [°C]	Dimensions [mm]								Weight [kg]
			A	B	C	a1	a2	D	E	F	
TEZ 0,5/D	0,5	60	22	24	19	15	15	-	-	-	0,05
TEZ 1,5/D	1,5	60	28	33	22	20	20	-	-	-	0,07
TEZ 1,5/X*	1,5	60	28	33	24	20	20	-	-	-	0,09
TEZ 1,8/D	1,8	40	28	33	22	20	20	-	-	-	0,07
TEZ 2,0/D	2,0	60	28	33	24	20	20	-	-	-	0,09
TEZ 2,3/D	2,3	40	28	33	24	20	20	-	-	-	0,09
TEZ 2,1/D	2,1	60	28	33	27	20	20	-	-	-	0,10
TEZ 2,5/D	2,5	40	28	33	27	20	20	-	-	-	0,10
TEZ 2,6/D	2,6	40	28	33	27	20	20	-	-	-	0,10
TEZ 2,6/D	2,5	60	28	33	30	20	20	-	-	-	0,12
TEZ 3,0/D	3,0	40	28	33	30	20	20	-	-	-	0,12
TEZ 4,0/D	4,0	60	35	42	29	25	20	-	-	-	0,15
TEZ 4,5/D	4,5	60	35	42	29	25	20	-	-	-	0,15
TEZ 6,0/D	6,0	60	38	45	32	25	25	-	-	-	0,20
TEZ 10,0/D	10,0	60	44	52	35	27,5	25	-	-	-	0,28
TEZ 15,0/D	15,0	60	44	52	41,5	27,5	25	-	-	-	0,35
TEZ 16,0/D	16,0	60	47	57	39	30	30	-	-	-	0,42
TEZ 20,0/D	20,0	60	53,8	63,6	47,2	32,5	30	43,5	72,5	81,7	0,60
TEZ 22,0/D	22,0	60	47,3	56,4	47,4	30	30	37,5	65	74	0,55
TEZ 25,0/D	25,0	60	53,8	63,6	51,5	32,5	30	43,5	72,5	81,7	0,70
TEZ 30,0/D	30,0	60	53,8	63,6	56,5	32,5	30	43,5	72,5	81,7	0,80

\*High version.



## **X-ON Electronics**

Largest Supplier of Electrical and Electronic Components

*Click to view similar products for [Power Transformers](#) category:*

*Click to view products by [Breve Tufvassons](#) manufacturer:*

Other Similar products are found below :

[ET-030A](#) [F-102X](#) [F-120X](#) [F-14X-1](#) [F-181U](#) [F-18A](#) [F-199U](#) [F-19X](#) [F-202U](#) [F-204U](#) [F-206U](#) [F-227X](#) [F-238U](#) [F-239U-1](#) [F-23U](#) [F24-250-B](#)  
[F-242U](#) [F-245U](#) [F-264U](#) [F-265U](#) [F-267U](#) [F-281U](#) [F-283U](#) [F-290X](#) [F-295Z](#) [F-296Z](#) [F-298Z](#) [F-3143P](#) [F-3298Z](#) [F-33U](#) [F-346X](#) [F-35U](#) [F-](#)  
[364U](#) [F-392A](#) [F-395X](#) [F-397U](#) [F-412X](#) [F-47U](#) [F-55X-1](#) [F-60U](#) [F-68U](#) [F-71U](#) [F-72Z](#) [F-74U](#) [F-83A](#) [F-84AC](#) [F-85U](#) [F-86U](#) [F-9U](#) [PCT-02](#)