

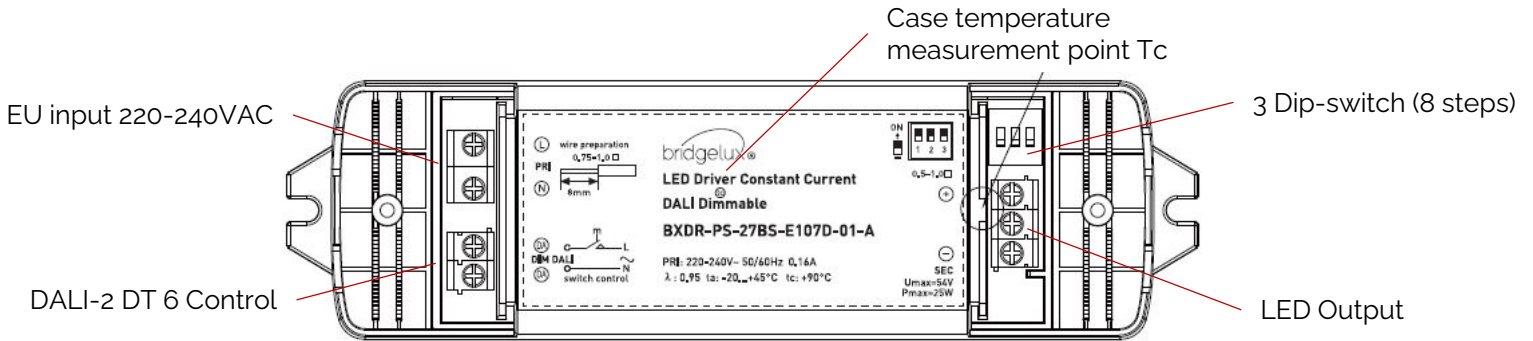


Bridgelux® Pallas-D Single Channel 27W (DALI-2) Slim Brick Driver

Product Data Sheet DS1227

Product Feature Map

Bridgelux Pallas-D (DALI) Single Channel 27W Driver provides dynamic constant current output for LED modules and arrays. This Driver interoperates with DALI Data features (251/252/253) enable LED drivers to provide a rich set of data for real-time performance monitoring, enhanced asset management, diagnostics, energy metering and other applications. The bi-directional nature of DALI enables data to be communicated with the lighting-control network. Please visit www.bridgelux.com for more information.



Product Nomenclature

The part number designation for Bridgelux Pallas-D (DALI) Single Channel 27W Driver is explained as follows:

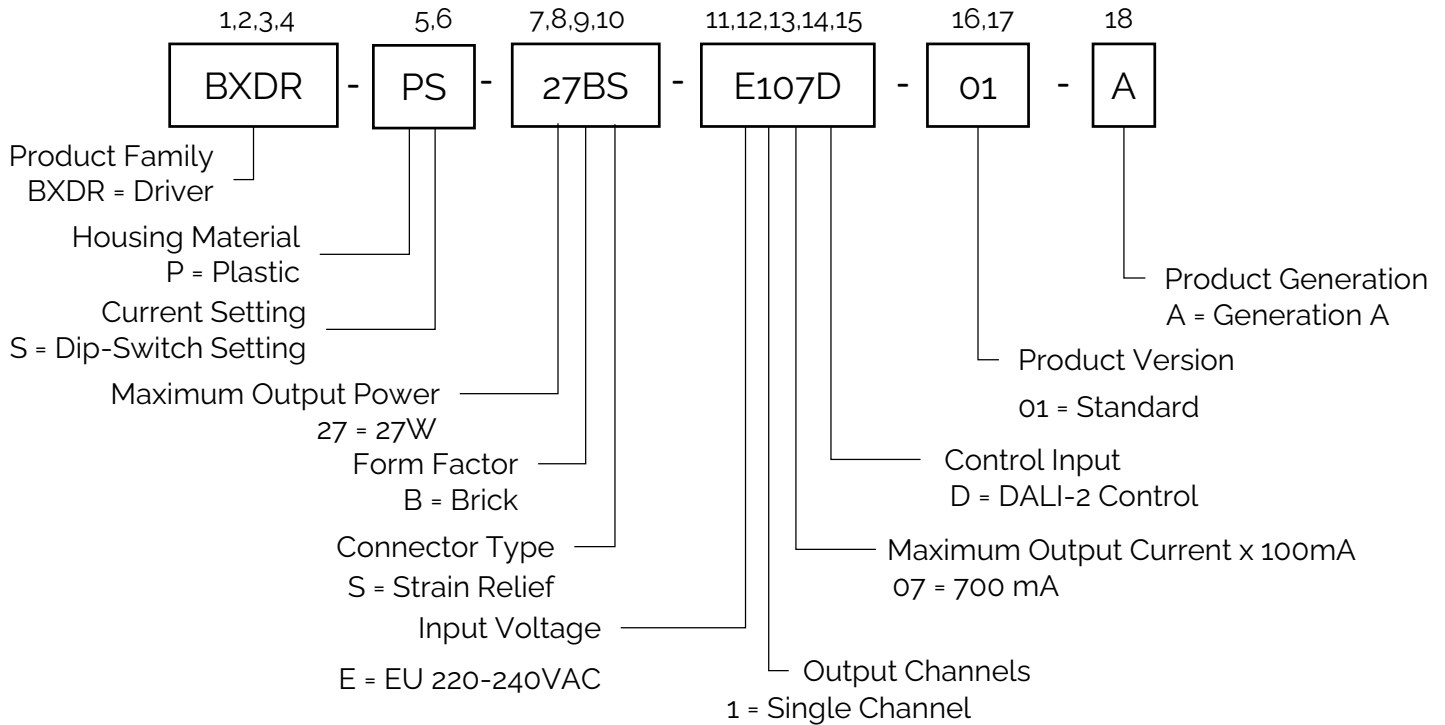


Table 1: Product Selection Guide

Part Number	Configuration
BXDR-PS-27BS-E107D-01-A	Brick with strain relief built-in

Electrical Characteristics

Table 2: Input Electrical Characteristics

Parameter	Unit	Specification
Nominal voltage	V	220 – 240
Nominal frequency	Hz	0 / 50 / 60
AC voltage range	V	198 – 264
DC voltage range	V	176 - 250
Nominal current	A	0.16
Power factor (Full load)	-	≥ 0.95
THD (Full load)	%	≤ 10
Efficiency (Full load)	%	≥ 85
NO load	W	≤ 0.5
Protection class	-	II
Inrush current(Cold start)	A pk	< 10 (th = 300 μs)
Max. units per circuit breaker	-	B10: 17 B13: 23 B16: 28 B20: 35 C10: 37 C13: 48 C16: 59 C20: 74

Table 3: Output Electrical Characteristics

Parameter	Unit	Specification							
Nominal voltage range	V	10-42V	10-42V	10-42V	10-42V	10-42V	10-42V	10-42V	10-38V
Maximum voltage(Open Circuit)	Vdc	≤ 54							
Nominal current	mA	260	350	400	450	500	550	600	700
Current accuracy	%	+/- 5							
Dimming		Yes DALI-2 & Push Dim							
Dimming range	%	0.1% - 100% PWM + Amplitude PWM Frequency = 20KHz							
Current ripple LF < 120Hz	%	≤ 10							
Pst LM	-	≤ 1							
SVM	-	≤ 0.4							
Maximum power	W	27							
Galvanic isolation:	-	SELV							

Electrical Characteristics

Figure 1: Power Factor vs. Load

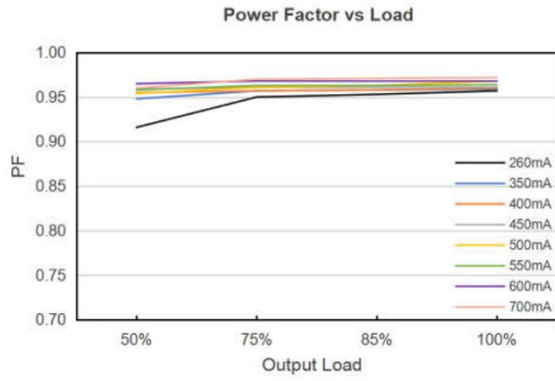


Figure 2: Total Harmonic Distortion vs. Load

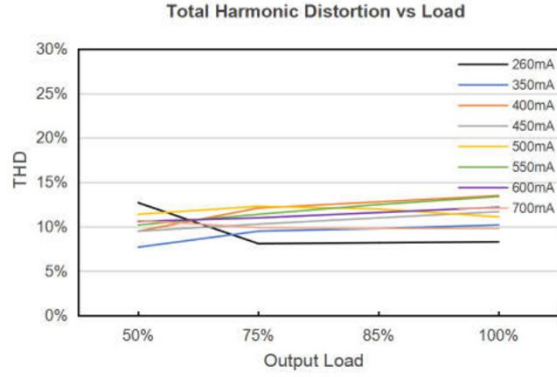


Figure 3: Efficiency vs. Load

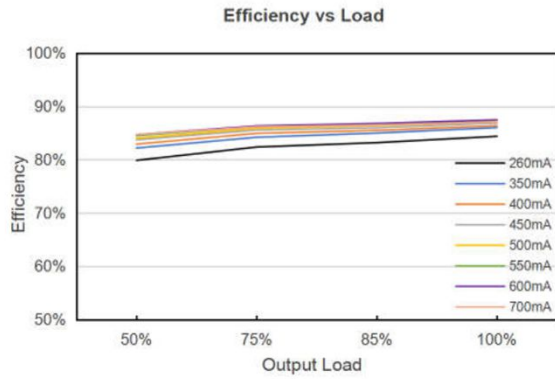
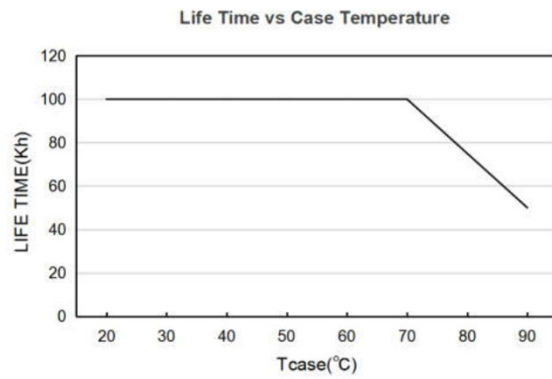


Figure 4: Expected Life Time

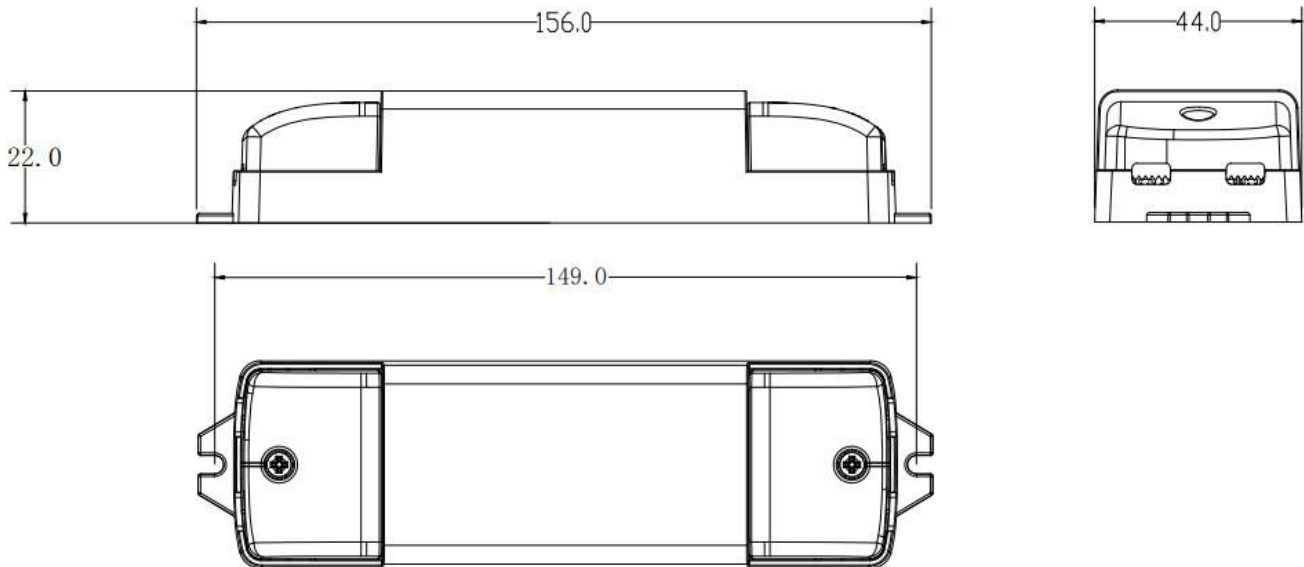


Mechanical Characteristics

Table 4: Product Selection Guide

Characteristics	Specification
Dimensions	156.0 mm (L) x 44.0 mm (W) x 22.0 mm (H)
Enclosure Materials	PC Plastic
Weight	120 g
Ingress Protection	IP20

Figure 5: Mechanical Drawing



Notes for Figure 5:

1. Drawing dimensions are in millimeters
2. Unless otherwise specified, all linear tolerances are +/-1.0mm

Wiring Diagram

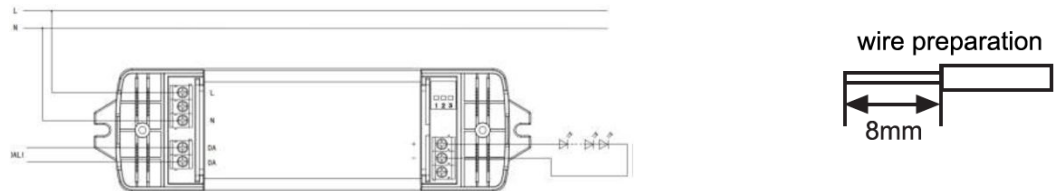
Table 6: **Wiring**

PRI		
PRI	Cable cross-section	0.75 – 1.0 mm ² / AWG 20 - 18
	Stripping	8 mm
SEC	Cable cross-section	0.5 – 1.0 mm ² / AWG 22 - 18
	Stripping	8 mm

Notes for Table 6:

1. Hot plug-in or secondary switching of LEDs is not permitted and may cause a very high current to the LEDs.
2. Unless otherwise specified, all linear tolerances are +/-1.0mm

DALI



In this operating mode the light level of the device is controlled via its DALI address.

Switch-Dim



The device can be controlled using switch-inputs for mains voltage, the dim level is saved at power-down and restored at power-up.

- Short press(<1S): switches LED driver ON and OFF
- Long press: LED modules are dimmed. After repush the LED modules are dimmed in the opposite direction.

Synchronization

In installations with LED drivers with different dimming levels or opposite dimming directions, all LED drivers can be synchronized to 50% dimming level by a 15S push, switch off the light by short press one time, then long press. Up to 25 LED drivers can be controlled via direct switch-button use. The number of switch-button is limited by the sum of the overall cable length between switch(es) and the connected LED drivers, witch may not exceed 20m.

Wiring Diagram

Corridor Function



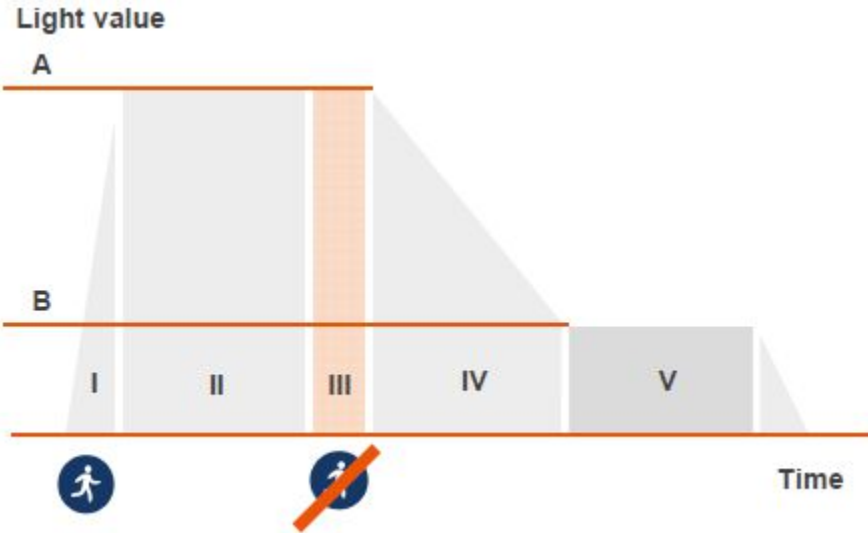
Activating the Corridor Function

- By supply voltage: Activate the Corridor Function by permanently applying the supply voltage (220-240V, 50/60Hz) to the DALI input of the driver for at least 5 minutes, the light up 100%(under the default setting).
- By sensor: Activate the Corridor Function by keeping the movement in the effective sensing area for at least 5 minutes, the light up 100%(under the default setting).

Changing from the Corridor Function to the Switch-DIM function

- -By briefly pressing a push-button 5 times (at the DALI input, 220-240V, 50/Hz) within 3 seconds.

Corridor Function Phasing



Factory-set parameters:

- A: Presence value=100%
- B: Absence value=10%
- I: Fade-in time=1s
- II: By sensor setting
- III: Run-on time=2min
- IV: Fade time=30s
- V: Unlimited

Notice

The compatibility with other devices must be tested in advance to the installation.
DALI application and switch-control application can not apply to the system at the same time.

Protection

Table 7: Protection

Parameters	Specification
Short Circuit Protection	Re-power on to Recover If Fault Is Removed
Over Voltage Protection	Re-power on to Recover If Fault Is Removed
Over Circuit Protection	Re-power on to Recover If Fault Is Removed

DIP-switch operation instructions & operating window

Table 8: Dip-switch operation instructions & operating window

Dip-switch setting			U_{out}	I_{out}
1	2	3		
OFF	OFF	OFF	10-42V	260 mA
ON	OFF	OFF	10-42V	350 mA
OFF	ON	OFF	10-42V	400 mA
ON	ON	OFF	10-42V	450 mA
OFF	OFF	ON	10-42V	500 mA
ON	OFF	ON	10-42V	550 mA
OFF	ON	ON	10-42V	600 mA
ON	ON	ON	10-38V	700 mA

Environmental and Regulatory Standards

Table 9: Environmental Conditions

Parameter	Specification
Ambient Operating Temperature	-20°C to + 45°C
Max. Case Temperature Tc	+90°C (max)
Max. Case Temperature (In fault condition)	+110°C
Humidity Rating	Maximum 85% Relative Humidity, non condensing
Storage Temperature	-20°C to + 70°C
Expected Lifetime	50,000 hours (Tc < 90°C)

Table 10: Regulatory Approvals and Compliance

Specification	Reference Standard	Condition
DC or AC supplied electronic controlgear for LED modules	EN 62384	electronic controlgear for use on DC or AC supplies up to 1 000 V (alternating current at 50 Hz or 60 Hz) and with an output frequency which can deviate from the supply frequency
Conducted and Radiated EMI	EN 55015:2019+A1:2020 (CISPR 15:2018)	
Harmonic Current Emissions	EN IEC 61000-3-2:2019	
Voltage Fluctuations & Flicker	IEC 61000-3-3:2013+A1:2019	
ESD (Electrostatic Discharge)	IEC 61547:2009 Section 5.2 Test des.: IEC 61000-4-2	4 kV contact discharge, 8 kV air discharge, level 3
Continuous Radiated Disturbance	IEC 61547:2009 Section 5.3 Test des.: IEC 61000-4-3	3 V/m, 80 - 1000 MHz, 80% modulated at distance of 3 meters
Electrical Fast Transient	IEC 61547:2009 Section 5.5 Test des.: IEC 61000-4-4	± 1 kV on AC power port for 1 minute,
Surge	IEC 61547 Section 5.7 Test des.: IEC 61000-4-5	± 1 kV (differential mode) ± 2 kV (common mode)
Continuous Conducted Disturbance	IEC 61547:2009 Section 5.6 Test des.: IEC 61000-4-6	3V, 0.15-80 MHz, 80% modulated, Level 2
Voltage Dips	IEC 61547 Section 5.8, 5.9 Test des.: IEC 61000-4-11	70% dip during 25 cycles @ 50Hz, 30 cycles @ 60Hz 0% dip during ½ cycles
Touch Current	EN60598-1	lower than 0.7 mA, according to EN 60598-1 annex. G and EN 61347-1 annex A

Regulatory Standards (continued)

Table 11: Safety Agency Approvals

Specification	Reference Standard	Condition
ENEC / CE / UKCA	EN 61347-1:2015, EN 61347-2-13:2014+A1	*Pending
Glow wire test	EN 61347-1:2015	Passed with increased temperature at 850°C

Table 12: DALI-2 DT6 Standards

Specification	Reference Standard	Condition
System Components (Part 101)	EN62386-101	
Control Gear (Part 102)	EN62386-102	
LED Module (Part 207)	EN62386-207	
Luminaire Data (Part 251)	EN62386-251	Memory Bank 1 Extension
Energy Data (Part 252)	EN62386-252	Energy Reporting
Diagnostics Data (part 253)	EN62386-253	Diagnostics & Maintenance



Packaging

Table 11: Packaging Box Configuration

Parameters	Specification
Driver quantity	TBD
Outer dimensions	TBD
Weight	TBD

Design Resources

Application Notes

Please contact your Bridgelux sales representative for assistance on obtaining application support when designing with the Bridgelux Pallas-D Single Channel Driver. For a list of available resources, visit www.bridgelux.com.

Precautions

CAUTION: PRODUCT HANDLING

Handle the Pallas-D Single Channel Driver with care to prevent any damage from mechanical shock. It is recommended to handle this driver in a static-free environment. Do not open or disassemble the product. To maintain product warranty, the installer is responsible for ensuring that the driver's operating conditions do not exceed the maximum conditions stated within this data sheet.

CAUTION: PRODUCT INSTALLATION

Incorrect installation of the Pallas-D Single Channel Driver can cause irreparable damage to the driver, connected LEDs. Pay attention when connecting the LED load and observe the correct polarity of the output terminals as specified in this data sheet and on the driver label.

CAUTION: ELECTRIC SHOCK

Be aware of the possibility of an electric shock hazard which can result in serious injury or death. Disconnect power before servicing or installing this device.

Disclaimers

MINOR PRODUCT CHANGE POLICY

The rigorous qualification testing on products offered by Bridgelux provides performance assurance. Slight cosmetic changes that do not affect form, fit, or function may occur as Bridgelux continues product optimization.

About Bridgelux: Bridging Light and Life™

At Bridgelux, we help companies, industries and people experience the power and possibility of light. Since 2002, we've designed LED solutions that are high performing, energy efficient, cost effective and easy to integrate. Our focus is on light's impact on human behavior, delivering products that create better environments, experiences and returns—both experiential and financial. And our patented technology drives new platforms for commercial and industrial luminaires.

For more information about the company, please visit

bridgelux.com

twitter.com/Bridgelux

facebook.com/Bridgelux

youtube.com/user/Bridgelux

linkedin.com/company/bridgelux

WeChat ID: BridgeluxInChina



46410 Fremont Blvd

Fremont, CA 94538 USA

Tel (925) 583-8400

www.bridgelux.com

X-ON Electronics

Largest Supplier of Electrical and Electronic Components

Click to view similar products for [LED Power Supplies](#) category:

Click to view products by [Bridgelux](#) manufacturer:

Other Similar products are found below :

[PIFC-K250F](#) [PITB-K222A](#) [AC-A60VD24H2.5](#) [ALD-514012PJ134](#) [PWD-60-1-70-P](#) [ESS030W-1050-21](#) [BPOXL 4-12-035](#) [ESS010W-0180-42](#) [ESS010W-0350-24](#) [ESS010W-0200-42](#) [ESM060W-1400-42](#) [ESS010W-0500-12](#) [SLM140W-1.05-130-ZA](#) [ESS015W-0700-18](#) [HVG-240-54AB](#) [OTE 25/220-240/700 PC](#) [OT FIT 30/220-240/700 CS](#) [DAL30W-0600-42-T](#) [HVG-320-48AB](#) [CNB30W-0600-42-CAS](#) [87500757](#) [I-SELECT 2 PLUG 2100MA BL](#) [LCU 48V 75W DC-STR FO](#) [LC 45 W 500-1400 MA FLEXC SC EXC](#) [I-SELECT 2 PLUG 2000MA BL](#) [LC 50/200-350/170 FLEXCC LP SNC3](#) [LCO 14/100-500/38 O4A NF C EXC3](#) [LC 28W 300-700MA 42 FLEXC NF SC EXC3](#) [LC 44/1050/42 FIXC SRL ADV2](#) [LCA 60W 900-1750MA ONE4ALL C PRE](#) [LC 8/180/44 FIXC SR SNC2](#) [LC 19/200-350/54 FLEXC LP SNC4](#) [BXDR-PS-75BS-E116D-01-A](#) [LC 30/500/54 FIXC SR SNC2](#) [LCA 60W 24V ONE4ALL SC PRE SP](#) [LC 60W 75-330MA 310V FLEXC NF H16 EXC4](#) [LC 8/180/42 FIXC PC SR SNC2](#) [LC 10/350/29 FIXC SR SNC2](#) [LC 25/500/43 FIXC SR SNC2](#) [LC 50/100-400/140 PO4A NF H16 PRE3](#) [LC 25/600/42 FIXC SRL ADV2](#) [LCO 24/200-1050/39 NF C ADV3](#) [ELEMENT 35/220...240/900 G3](#) [LC 25W 350-1050MA FLEXC SR EXC](#) [LC 35W 24 ONE4ALL IP PRE](#) [BXDR-PS-25BS-E107D-01-A](#) [LC 17W 250-700MA FLEXC SR EXC](#) [LC 15W 350MA FIXC C SNC](#) [LC 14W 700MA FIXC PC SR SNC2](#) [LC 200W 24V SC SNC](#)