



BCT2036

Low Power, Low Dropout RF-Linear Regulators

BCT2036

Low Power, Low Dropout, RF-Linear Regulators

GENERAL DESCRIPTION

The BCT2036 series low-power, low-dropout, CMOS linear voltage regulators operate from a 1.6V to 5.5V input voltage and deliver up to 300mA output current. They are the perfect choice for low voltage, low power applications. A low ground current makes this part attractive for battery operated power systems. The BCT2036 series also offer low dropout voltage to prolong battery life in portable electronics. Systems requiring a quiet voltage source, such as RF applications, will benefit from the BCT2036 series low output noise and high PSRR.

Other features include a 10nA logic-controlled shutdown mode, short current limit and thermal shutdown protection.

The BCT2036 has auto-discharge function to quickly discharge VOUT in the disable status.

The BCT2036 is available in Green SOT23-3, SOT23-5, SC70-5, UTDFN1X1-4L packages. It operates over an ambient temperature range of -40°C to +85°C .

FEATURES

- Low Dropout Voltage
- Thermal Overload Protection
- Built-In Fold Back Protection Circuit
- 20µA Low Supply Current
- 10nA Logic-Controlled Shutdown
- 1.6V to 5.5V Input Voltage Range
- Fixed Outputs of 1.2V, 1.8V, 2.8V, 3.0V, and 3.3V
- Adjustable Output from 0.8V to 5.0V
- Short Auto-Discharge Function
- 300mA Output Current
- High Output Voltage Accuracy
- Quick Start-Up Time
- -40°C to +85°C Operating Temperature Range Available in Green SOT23-3, SOT23-5, UTDFN1X1-4L, SC70-5 Packages.

APPLICATIONS

Cellular Telephones
Cordless Telephones
PCMCIA Cards
Modems
MP3 Player
Hand-Held Instruments
Palmtop Computers
Electronic Planners
Portable/Battery-Powered Equipment



BCT2036

Low Power, Low Dropout RF-Linear Regulators

ORDERING INFORMATION

| Order Number | V _{OUT} (V) | Package Type | Temperature Range | Marking | QTY/Reel |
|------------------|----------------------|--------------|-------------------|---------|----------|
| BCT2036EUR12-TR | 1.2 | SOT23-3 | -40°C to +85°C | B2XX | 3000 |
| BCT2036EUR18-TR | 1.8 | SOT23-3 | -40°C to +85°C | B8XX | 3000 |
| BCT2036EUR28-TR | 2.8 | SOT23-3 | -40°C to +85°C | B8XX | 3000 |
| BCT2036EUR30-TR | 3.0 | SOT23-3 | -40°C to +85°C | B0XX | 3000 |
| BCT2036EUR33-TR | 3.3 | SOT23-3 | -40°C to +85°C | B3XX | 3000 |
| BCT2036EUK12-TR | 1.2 | SOT23-5 | -40°C to +85°C | B2XX | 3000 |
| BCT2036EUK18-TR | 1.8 | SOT23-5 | -40°C to +85°C | B8XX | 3000 |
| BCT2036EUK28-TR | 2.8 | SOT23-5 | -40°C to +85°C | B8XX | 3000 |
| BCT2036EUK30-TR | 3.0 | SOT23-5 | -40°C to +85°C | B0XX | 3000 |
| BCT2036EUK33-TR | 3.3 | SOT23-5 | -40°C to +85°C | B3XX | 3000 |
| BCT2036EUKVAD-TR | ADJ | SOT23-5 | -40°C to +85°C | BAXX | 3000 |
| BCT2036EXK12-TR | 1.2 | SC70-5 | -40°C to +85°C | B2XX | 3000 |
| BCT2036EXK18-TR | 1.8 | SC70-5 | -40°C to +85°C | B8XX | 3000 |
| BCT2036EXK28-TR | 2.8 | SC70-5 | -40°C to +85°C | B8XX | 3000 |
| BCT2036EXK30-TR | 3.0 | SC70-5 | -40°C to +85°C | B0XX | 3000 |
| BCT2036EXK33-TR | 3.3 | SC70-5 | -40°C to +85°C | B3XX | 3000 |
| BCT2036EXKVAD-TR | ADJ | SC70-5 | -40°C to +85°C | BAXX | 3000 |
| BCT2036ELS12-TR | 1.2 | UTDFN1x1-4L | -40°C to +85°C | B2X | 10000 |
| BCT2036ELS18-TR | 1.8 | UTDFN1x1-4L | -40°C to +85°C | B8X | 10000 |
| BCT2036ELS28-TR | 2.8 | UTDFN1x1-4L | -40°C to +85°C | B8X | 10000 |
| BCT2036ELS30-TR | 3.0 | UTDFN1x1-4L | -40°C to +85°C | B0X | 10000 |
| BCT2036ELS33-TR | 3.3 | UTDFN1x1-4L | -40°C to +85°C | B3X | 10000 |

Note:

"B" in Marking is product short code for BCT2036

"XX" or "X" in Marking will be appeared as the batch code.



BCT2036

Low Power, Low Dropout RF-Linear Regulators

ABSOLUTE MAXIMUM RATINGS

| | |
|---------------------------------------------------|----------------------|
| IN to GND..... | -0.3V to 6.0V |
| Output Short-Circuit Duration..... | Infinite |
| EN to GND..... | -0.3V to 6.0V |
| OUT,BP/FB to GND..... | -0.3V to (VIN +0.3V) |
| Power Dissipation, P_D @ $T_A=25^\circ\text{C}$ | |
| SOT23-3..... | 0.42W |
| SOT23-5..... | 0.48W |
| SC70-5..... | 0.38W |
| UTDFN1x1-4L..... | 0.45W |
| Package Thermal Resistance | |
| SOT23-3..... | 300°C/W |
| SOT23-5, θ_{JA} | 260°C/W |
| SC70-5, θ_{JA} | 330°C/W |
| UTDFN1x1-4L..... | 280°C/W |
| Junction Temperature..... | 150°C |
| Storage Temperature Range..... | -65°C to 150°C |
| Lead Temperature (Soldering, 10 sec)..... | 260°C |
| ESD Susceptibility | |
| HBM..... | 4000V |
| MM..... | 400V |

RECOMMENDED OPERATING CONDITIONS

| | |
|-----------------------------------|----------------|
| Operating Voltage Range..... | 1.6V to 5.5V |
| Operating Temperature Range | -40°C to +85°C |

OVERSTRESS CAUTION

Stresses beyond those listed under “Absolute Maximum Ratings” may cause permanent damage to the device. These are stress ratings only, and functional operation of the device at these or any other conditions beyond those indicated in the operational sections of the specifications is not implied. Exposure to absolute maximum rating conditions for extended periods may affect device reliability.

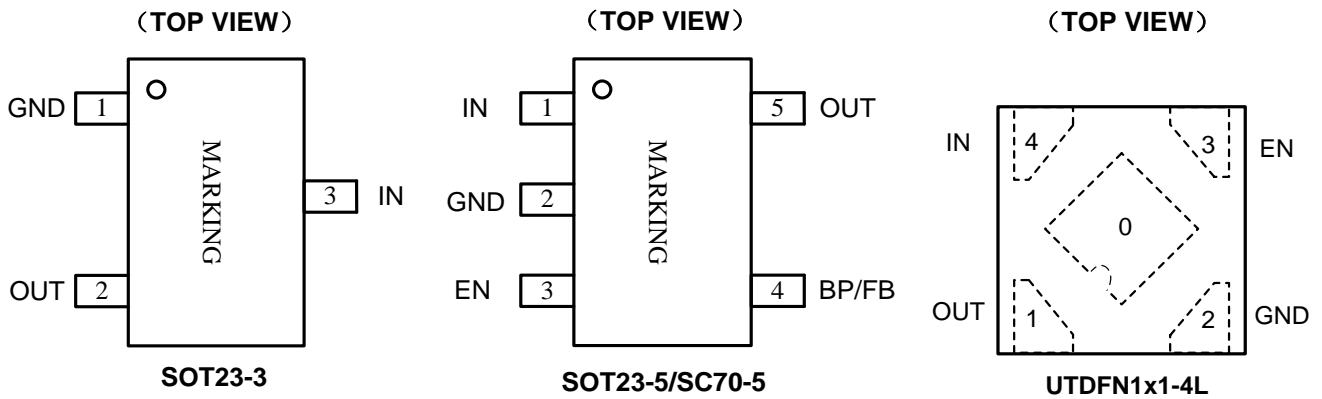
ESD SENSITIVITY CAUTION

This integrated circuit can be damaged by ESD if you don't pay attention to ESD protection. Broadchip recommends that all integrated circuits be handled with appropriate precautions. Failure to observe proper handling and installation procedures can cause damage. ESD damage can range from subtle performance degradation to complete device failure. Precision integrated circuits may be more susceptible to damage because very small parametric changes could cause the device not to meet its published specifications.

DISCLAIMER

Broadchip reserves the right to make any change in circuit design, specification or other related things if necessary without notice at any time. Please contact Broadchip sales office to get the latest datasheet.

PIN CONFIGURATION



PIN DESCRIPTION

| PIN | | | NAME | FUNCTION |
|-----------------|-------------------|---------|-------------|-----------------------------------------------------------------------------------------------------------------------------------------------------------------------------------------------------------------------------|
| UTDFN 1X1-4L | SOT23-5 SC70-5 | SOT23-3 | | |
| 1 | 5 | 2 | OUT | Regulator Output. |
| 2 | 2 | 1 | GND | Ground. |
| 3 | 3 | - | EN | Enable Pin. This pin has an internal pull-down resistor. A logic low reduces the supply current to less than 1µA. Connect to IN for normal operation. |
| 4 | 1 | 3 | IN | Regulator Input. Supply voltage can range from 1.6V to 5.5V. Bypass with a 1µF capacitor to GND. |
| - | 4 | - | BP | Reference-Noise Bypass Pin (fixed voltage version only). Bypass with a low-leakage 0.01µF ceramic capacitor for reduced noise at the output. The capacitor is recommended to be placed very close to the pin for high PSRR. |
| - | - | - | FB | Adjustable Voltage Version Only. This is used to set the output voltage of the device. |
| 0 | - | - | Exposed Pad | The exposed pad should be connected to a large ground plane to maximize thermal performance. |

ELECTRICAL CHARACTERISTICS

($V_{IN} = V_{OUT(NOMINAL)} + 0.5V$ or $1.6V$, whichever is greater, Full = $-40^{\circ}C$ to $+85^{\circ}C$, unless otherwise noted.)

| PARAMETER | SYMBOL | CONDITIONS | TEMP | MIN | TYP | MAX | UNITS | |
|--------------------------------------------|-------------------------------------------------------|-----------------------------------------------------------------------------------------------------------------------------------------------|--------------------------------------|----------------|-----|------|------------------|---------------|
| Input Voltage | V_{IN} | | $+25^{\circ}C$ | 1.6 | | 5.5 | V | |
| Output Voltage Accuracy | | $I_{OUT} = 0.1mA$ | $+25^{\circ}C$ | -2.5 | | +2.5 | % | |
| Feedback Voltage | V_{FB} | $I_{OUT} = 0.1mA$, BCT2036-ADJ | $+25^{\circ}C$ | 0.78 | 0.8 | 0.82 | V | |
| Maximum Output Current (1) | | | $+25^{\circ}C$ | 300 | | | mA | |
| Current Limit | I_{LIM} | | $+25^{\circ}C$ | 360 | 560 | | mA | |
| Ground Pin Current | I_Q | No Load, $V_{EN} = V_{IN}$ | $+25^{\circ}C$ | | 20 | 26 | μA | |
| Dropout Voltage (2) | V_{DROP} | $I_{OUT} = 300mA$ | $1.2V \leq V_{OUT} < 1.8V$ | $+25^{\circ}C$ | | 590 | 800 | mV |
| | | | $1.8V \leq V_{OUT} < 2.5V$ | $+25^{\circ}C$ | | 320 | 420 | |
| | | | $2.5V \leq V_{OUT} < 3.0V$ | $+25^{\circ}C$ | | 215 | 280 | |
| | | | $3.0V \leq V_{OUT} < 3.6V$ | $+25^{\circ}C$ | | 190 | 250 | |
| Line Regulation | $\frac{\Delta V_{OUT}}{\Delta V_{IN} \times V_{OUT}}$ | $V_{IN} = 1.6V$ or $(V_{OUT} + 0.5V)$ to $5.5V$, $I_{OUT} = 1mA$ | $1.8V \leq V_{OUT} \leq 3.3V$ | $+25^{\circ}C$ | | 0.01 | 0.06 | %/ V |
| | | | $V_{OUT} < 1.8V$ or $V_{OUT} > 3.3V$ | $+25^{\circ}C$ | | 0.01 | 0.1 | |
| Load Regulation | ΔV_{OUT} | $I_{OUT} = 0.1mA$ to $300mA$ | $+25^{\circ}C$ | | 12 | 40 | mV | |
| Short Current Limit | I_{SHORT} | $V_{OUT} = 0V$ | $+25^{\circ}C$ | | 200 | | mA | |
| Power Supply Rejection Ratio | PSRR | $C_{BP} = 0\mu F$, $I_{OUT} = 30mA$, $C_{OUT} = 1\mu F$, $V_{IN} = 2.8V$, $V_{OUT} = 1.8V$, $\Delta V_{RIPPLE} = 0.2V_{P-P}$ | $f = 217Hz$ | $+25^{\circ}C$ | | 80 | | dB |
| | | | $f = 1kHz$ | $+25^{\circ}C$ | | 70 | | |
| | | $C_{BP} = 0.01\mu F$, $I_{OUT} = 30mA$, $C_{OUT} = 1\mu F$, $V_{IN} = 2.8V$, $V_{OUT} = 1.8V$, $\Delta V_{RIPPLE} = 0.2V_{P-P}$ | $f = 217Hz$ | $+25^{\circ}C$ | | 82 | | |
| | | | $f = 1kHz$ | $+25^{\circ}C$ | | 75 | | |
| Output Voltage Noise | e_n | $C_{BP} = 0\mu F$, $f = 10Hz$ to $100kHz$, $C_{OUT} = 1\mu F$, $V_{IN} = 2.8V$, $V_{OUT} = 1.8V$ | $I_{OUT} = 0mA$ | $+25^{\circ}C$ | | 70 | | μV_{RMS} |
| | | | $I_{OUT} = 30mA$ | $+25^{\circ}C$ | | 100 | | |
| | | $C_{BP} = 0.01\mu F$, $f = 10Hz$ to $100kHz$, $C_{OUT} = 1\mu F$, $V_{IN} = 2.8V$, $V_{OUT} = 1.8V$ | $I_{OUT} = 0mA$ | $+25^{\circ}C$ | | 25 | | |
| | | | $I_{OUT} = 30mA$ | $+25^{\circ}C$ | | 65 | | |
| Output Voltage Temperature Coefficient (3) | $\frac{\Delta V_{OUT}}{\Delta T_A \times V_{OUT}}$ | $I_{OUT} = 0.1mA$ | Full | | 30 | | ppm/ $^{\circ}C$ | |



BCT2036

Low Power, Low Dropout RF-Linear Regulators

ELECTRICAL CHARACTERISTICS (continued)

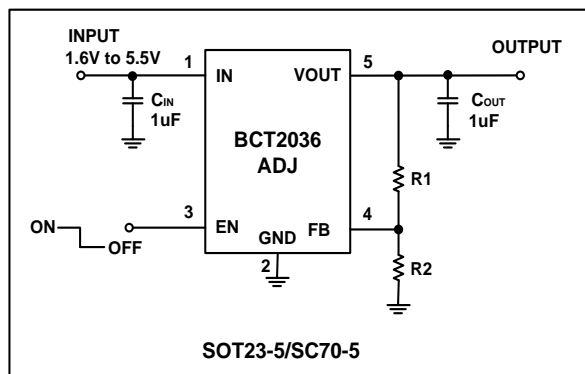
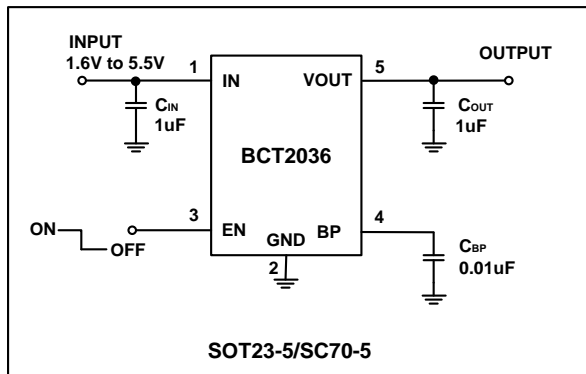
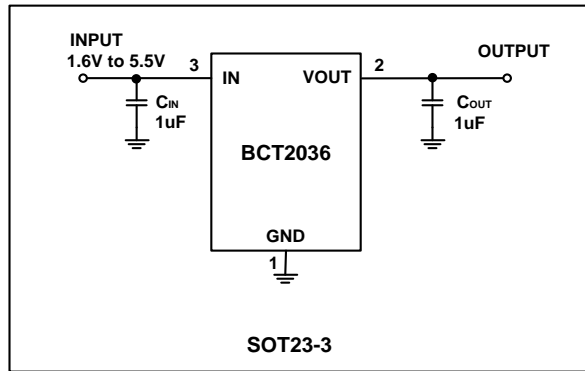
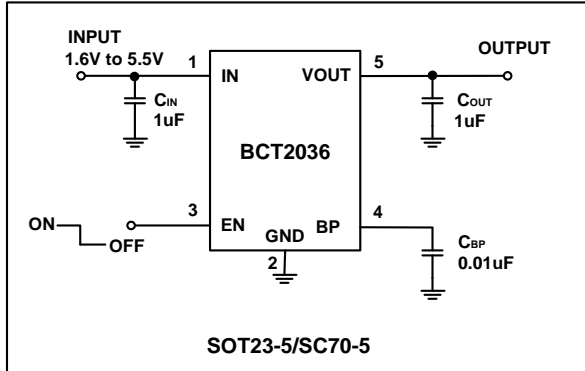
($V_{IN} = V_{OUT(NOMINAL)} + 0.5V$ or $1.6V$, whichever is greater, Full = $-40^{\circ}C$ to $+85^{\circ}C$, unless otherwise noted.)

| PARAMETER | SYMBOL | CONDITIONS | TEMP | MIN | TYP | MAX | UNITS |
|------------------------------|-------------------|-------------------------------------------------|----------------|-----|------|-----|-------------|
| SHUTDOWN | | | | | | | |
| EN Input Threshold | V_{IH} | $V_{IN} = 1.6V$ to $5.5V$ | Full | 1.5 | | | V |
| | V_{IL} | | Full | | | 0.4 | |
| EN Input Bias Current | I_{BH} | $V_{EN} = 5.5V$ | Full | | 0.8 | 2 | μA |
| | I_{BL} | $V_{EN} = 0V$ | Full | | 0.01 | 1 | |
| Shutdown Supply Current | I_{SHDN} | $V_{EN} = 0V$ | Full | | 0.01 | 1 | μA |
| Start-Up Time ⁽⁴⁾ | t_{STR} | $C_{OUT} = 1\mu F$, No Load, $C_{BP} = 0\mu F$ | $+25^{\circ}C$ | | 30 | | μs |
| R_{ON} of Discharge MOSFET | | $V_{IN} = 4.0V$, $V_{EN} = 0V$ | $+25^{\circ}C$ | | 50 | | Ω |
| THERMAL PROTECTION | | | | | | | |
| Thermal Shutdown Temperature | T_{SHDN} | | | | 140 | | $^{\circ}C$ |
| Thermal Shutdown Hysteresis | ΔT_{SHDN} | | | | 15 | | $^{\circ}C$ |

NOTES:

1. Maximum output current is affected by the PCB layout, size of metal trace, the thermal conduction path between metal layers, ambient temperature and the other environment factors of system. Attention should be paid to the dropout voltage when $V_{IN} < V_{OUT} + V_{DROP}$.
2. The dropout voltage is defined as $V_{IN} - V_{OUT}$, when V_{OUT} is 100mV below the value of V_{OUT} .
3. Output voltage temperature coefficient is defined as the worst-case voltage change divided by the total temperature range.
4. Time needed for V_{OUT} to reach 90% of final value.

TYPICAL APPLICATION CIRCUIT

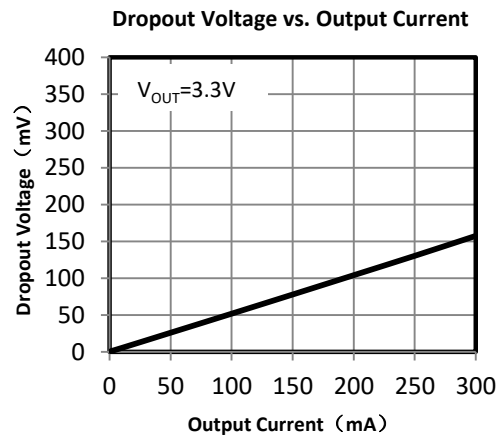
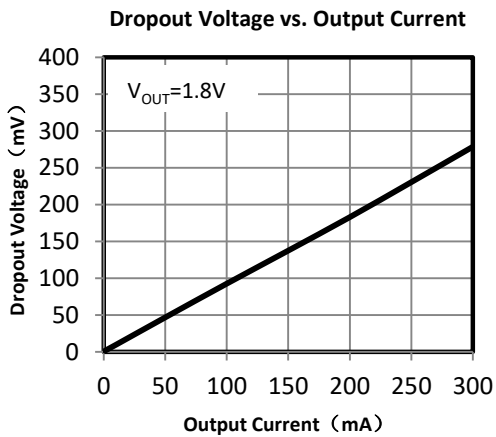
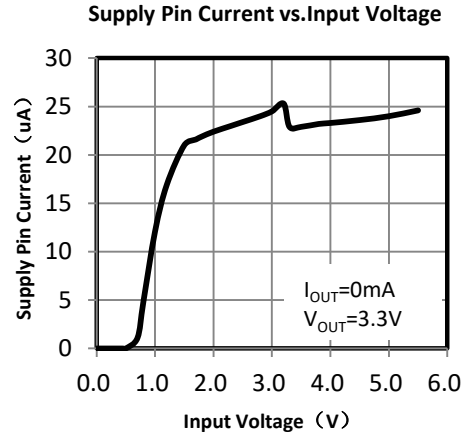
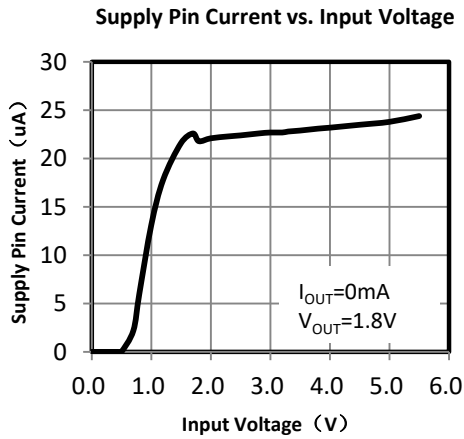
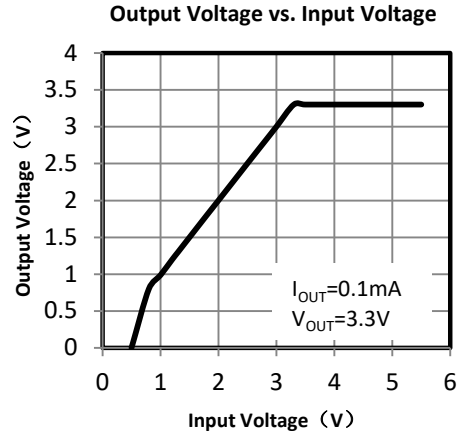
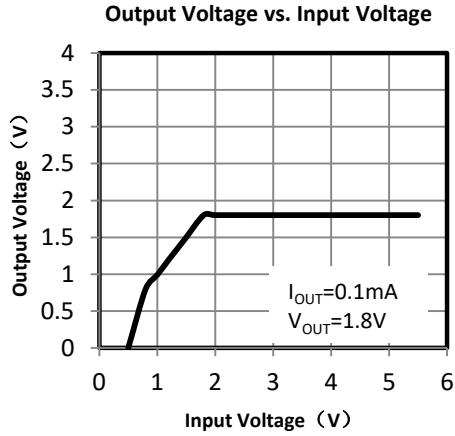


NOTES: Choose R2 = 160kΩ to maintain a 5µA minimum load.
Calculate the value for R1 using the following equation:

$$R_1 = R_2 \times \left(\frac{V_{OUT}}{0.8V} - 1 \right)$$

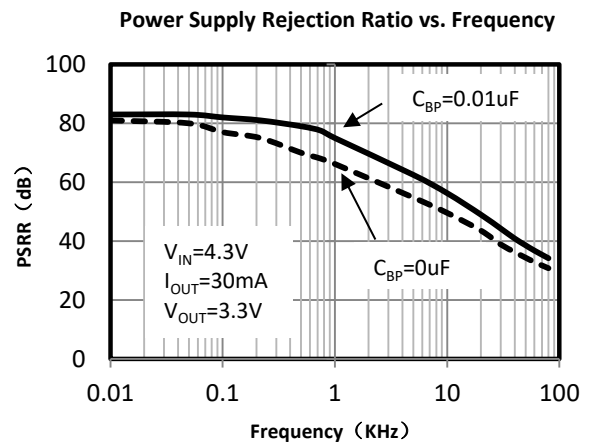
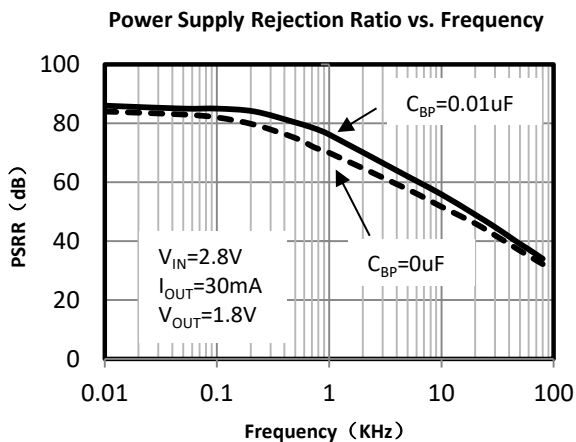
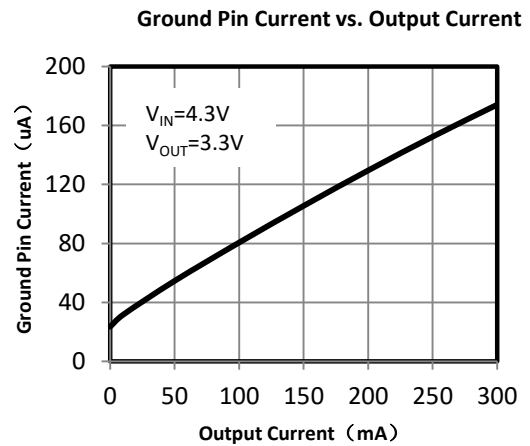
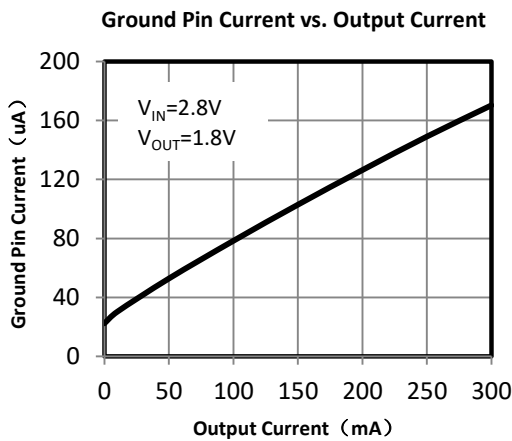
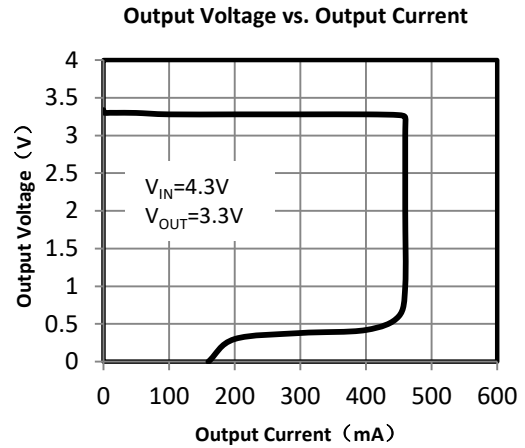
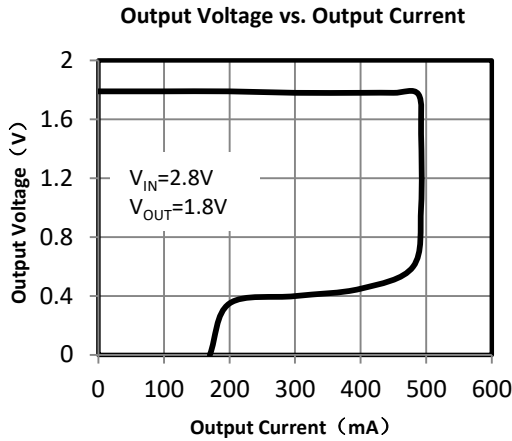
TYPICAL PERFORMANCE CHARACTERISTICS

$V_{EN} = V_{IN}$, $C_{IN} = 1\mu F$, $C_{OUT} = 1\mu F$, $C_{BP} = 0\mu F$, $T_A = +25^\circ C$, unless otherwise noted.



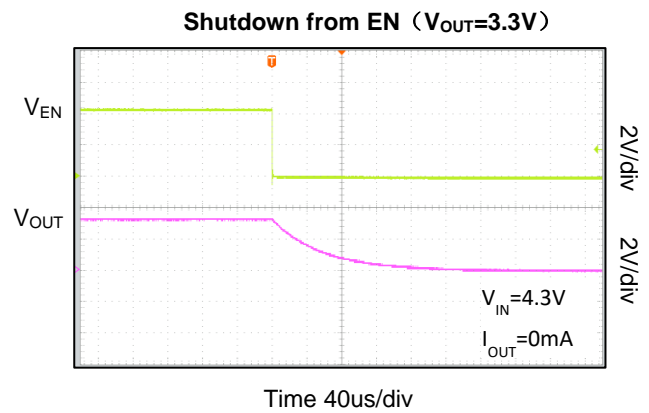
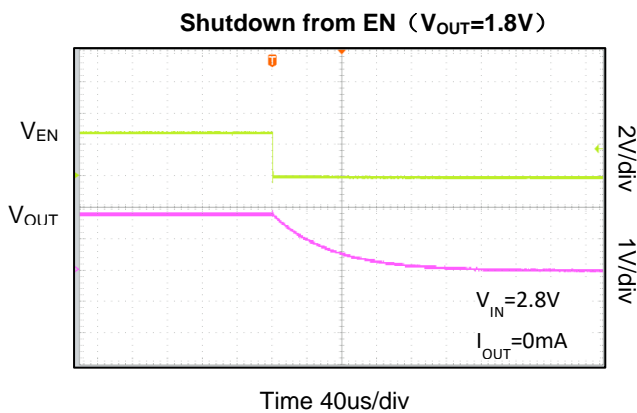
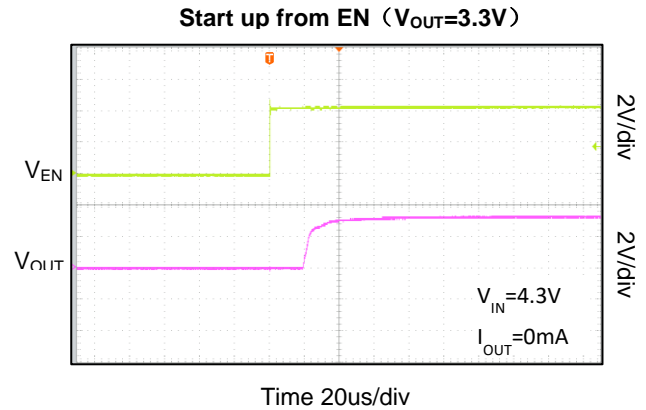
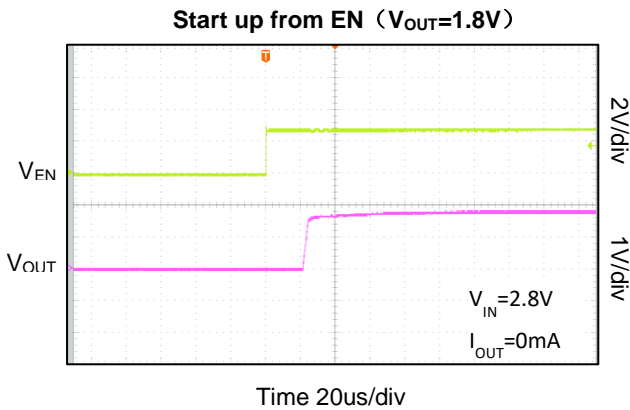
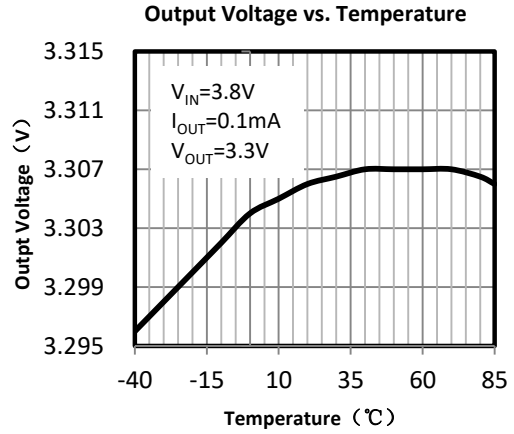
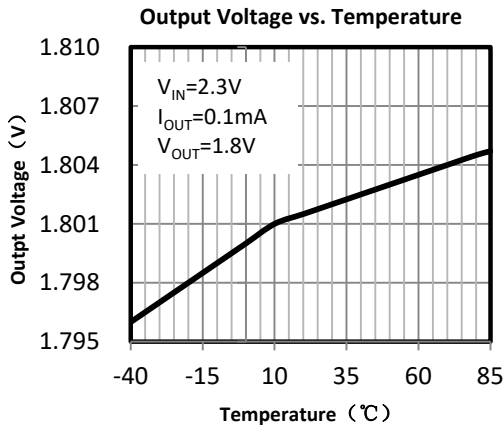
TYPICAL PERFORMANCE CHARACTERISTICS (continued)

$V_{EN} = V_{IN}$, $C_{IN} = 1\mu F$, $C_{OUT} = 1\mu F$, $C_{BP} = 0\mu F$, $T_A = +25^\circ C$, unless otherwise noted.



TYPICAL PERFORMANCE CHARACTERISTICS (continued)

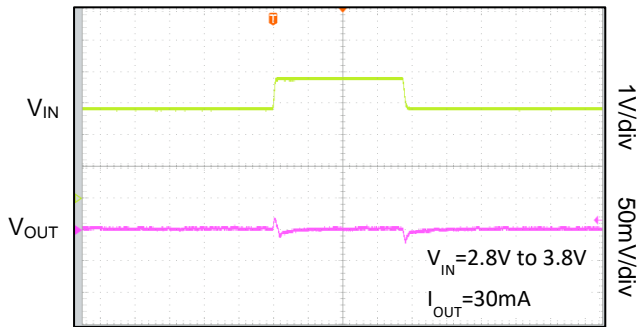
$V_{EN} = V_{IN}$, $C_{IN} = 1\mu F$, $C_{OUT} = 1\mu F$, $C_{BP} = 0\mu F$, $T_A = +25^\circ C$, unless otherwise noted.



TYPICAL PERFORMANCE CHARACTERISTICS (continued)

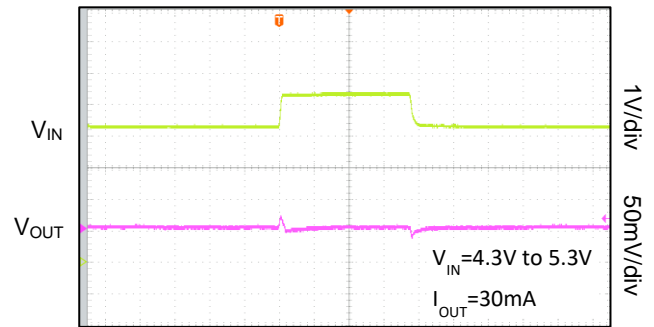
$V_{EN} = V_{IN}$, $C_{IN} = 1\mu F$, $C_{OUT} = 1\mu F$, $C_{BP} = 0\mu F$, $T_A = +25^\circ C$, unless otherwise noted.

Line Transient Response ($V_{OUT}=1.8V$)



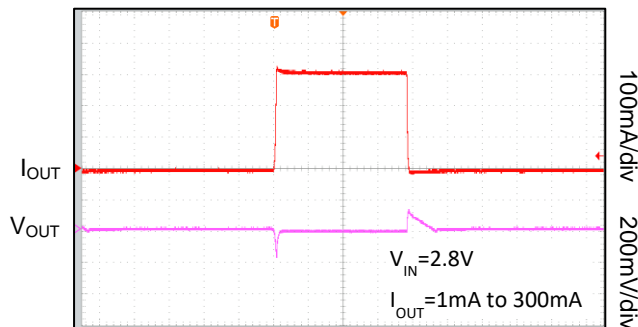
Time 40us/div

Line Transient Response ($V_{OUT}=3.3V$)



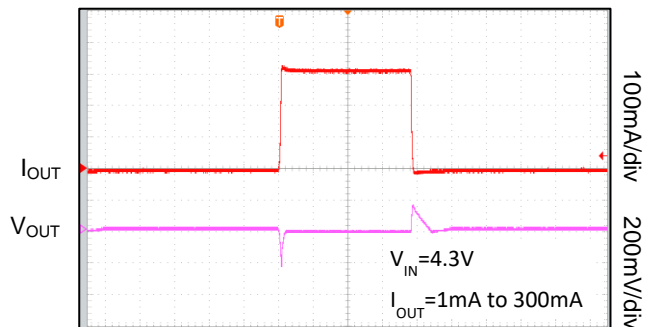
Time 40us/div

Load Transient Response ($V_{OUT}=1.8V$)



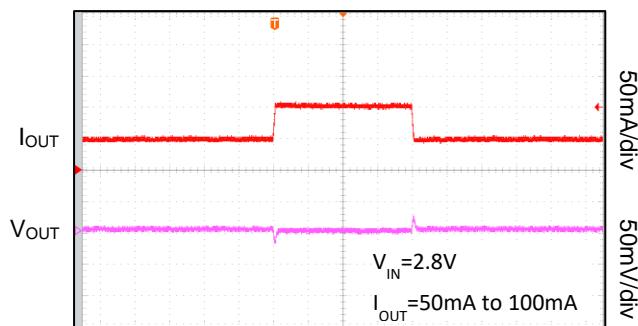
Time 100us/div

Load Transient Response ($V_{OUT}=3.3V$)



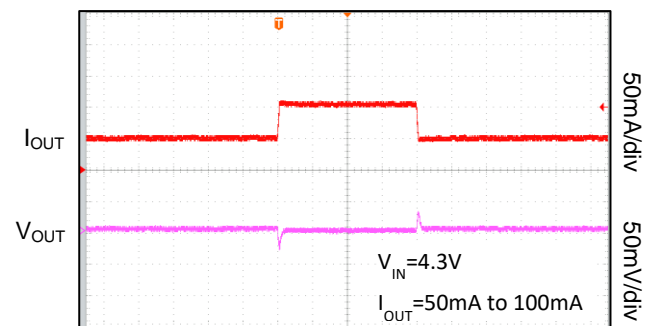
Time 100us/div

Load Transient Response ($V_{OUT}=1.8V$)



Time 100us/div

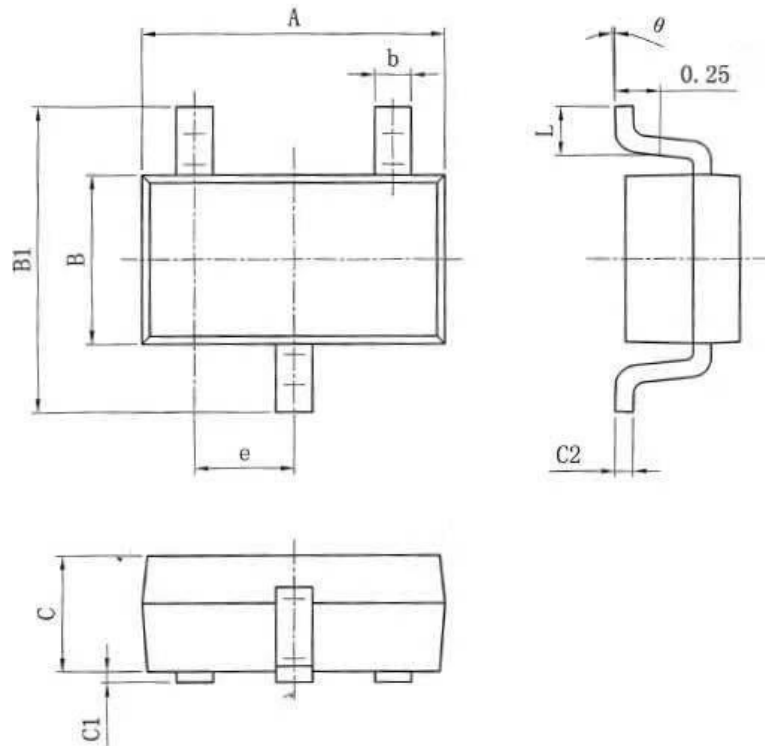
Load Transient Response ($V_{OUT}=3.3V$)



Time 100us/div

PACKAGE OUTLINE DIMENSIONS

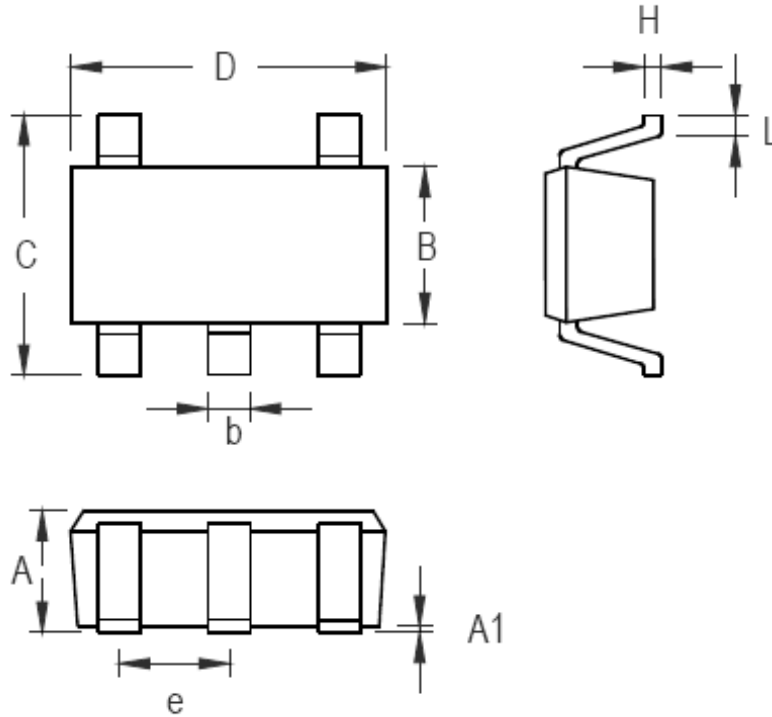
SOT23-3



| Symbol | Dimensions In Millimeters | |
|--------|---------------------------|------|
| | Min | Max |
| A | 2.82 | 3.02 |
| e | 0.95(BSC) | |
| b | 0.28 | 0.45 |
| B | 1.50 | 1.70 |
| B1 | 2.75 | 3.05 |
| C | 1.05 | 1.15 |
| C1 | 0.03 | 0.15 |
| C2 | 0.12 | 0.23 |
| L | 0.35 | 0.55 |
| θ | 0° | 8° |

SOT23-3 Surface Mount Package

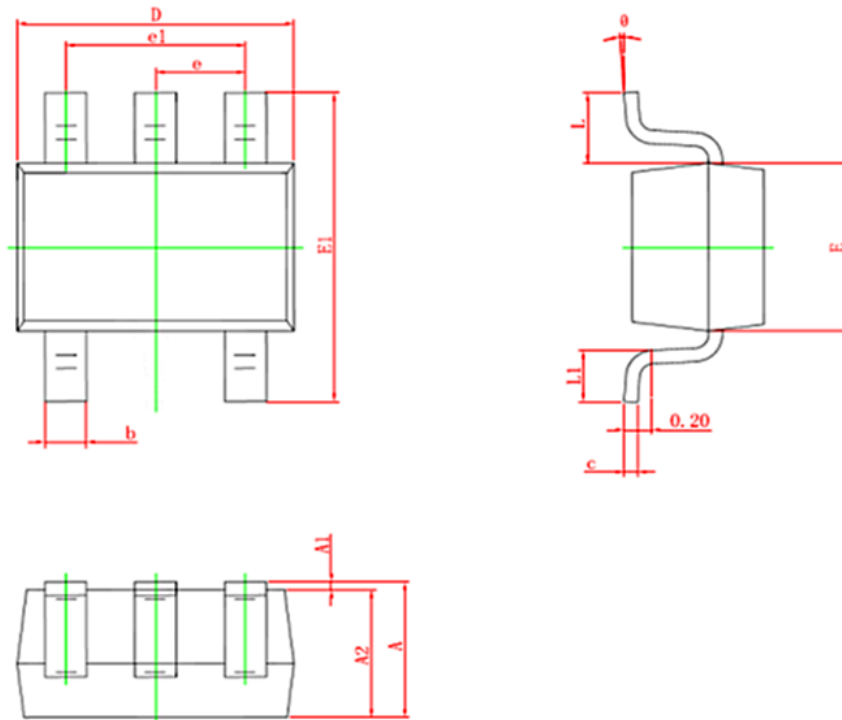
SOT23-5



| Symbol | Dimensions In Millimeters | |
|--------|---------------------------|------|
| | Min | Max |
| A | 1.05 | 1.15 |
| A1 | 0.03 | 0.15 |
| B | 1.5 | 1.7 |
| b | 0.28 | 0.45 |
| C | 2.75 | 3.05 |
| D | 2.82 | 3.02 |
| e | 0.95(BSC) | |
| H | 0.12 | 0.23 |
| L | 0.35 | 0.55 |

SOT23-5 Surface Mount Package

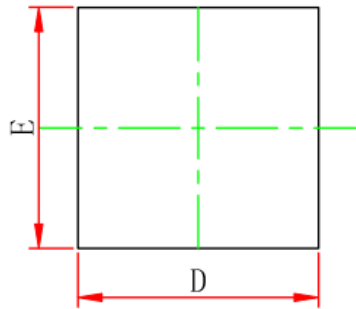
SC70-5



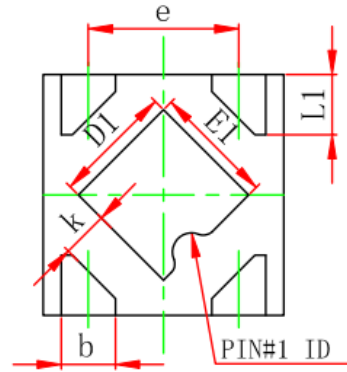
| Symbol | Dimensions In Millimeters | |
|--------|---------------------------|-------|
| | Min. | Max. |
| A | 0.900 | 1.100 |
| A1 | 0.000 | 0.100 |
| A2 | 0.900 | 1.000 |
| b | 0.150 | 0.350 |
| c | 0.110 | 0.175 |
| D | 2.000 | 2.200 |
| E | 1.150 | 1.350 |
| E1 | 2.150 | 2.450 |
| e | 0.650 TYP. | |
| e1 | 1.200 | 1.400 |
| L | 0.525 REF. | |
| L1 | 0.260 | 0.460 |
| θ | 0° | 8° |

SC70-5 Surface Mount Package

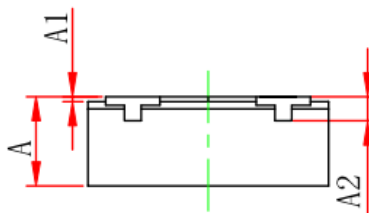
UTDFN1x1-4L



TOP VIEW



BOTTOM VIEW



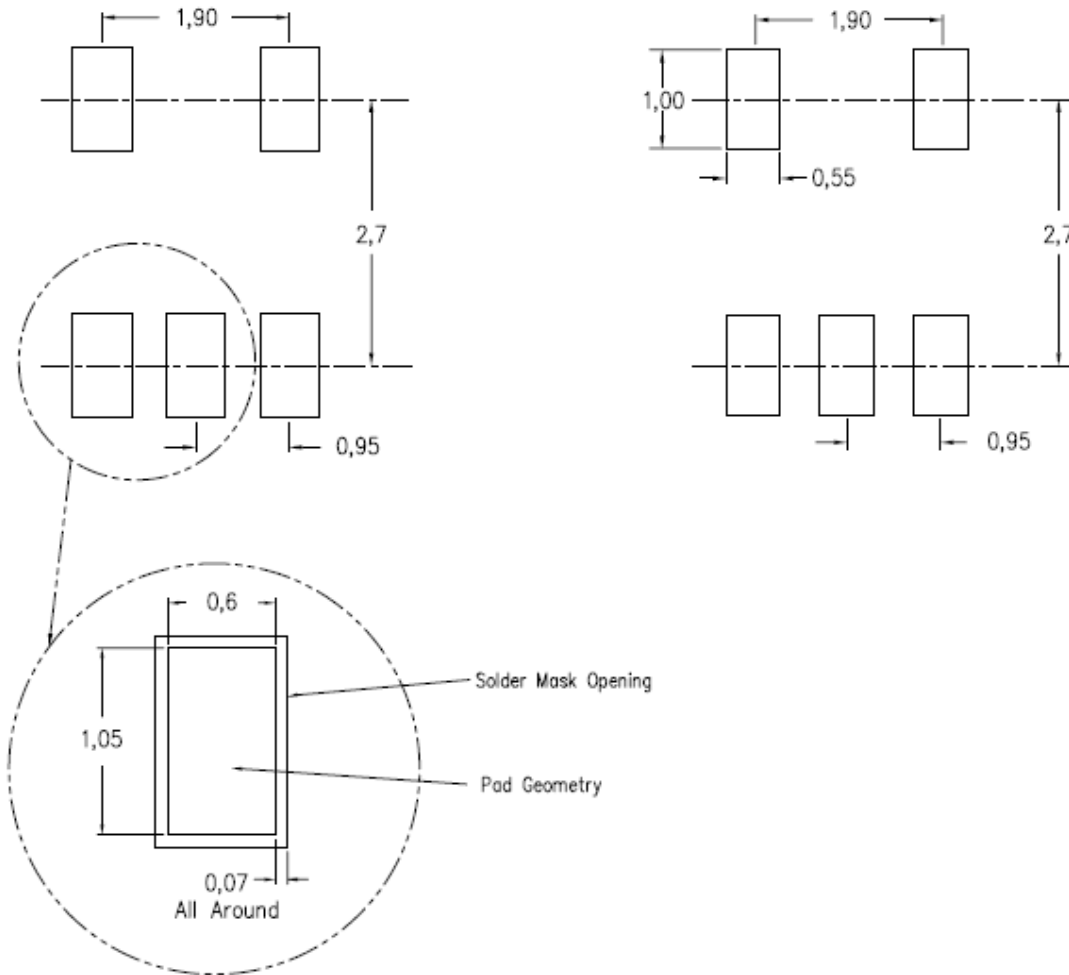
SIDE VIEW

| Symbol | Dimensions In Millimeters | |
|--------|---------------------------|-------|
| | Min | Max |
| A | 0.335 | 0.405 |
| A1 | 0.000 | 0.050 |
| A2 | 0.100 REF | |
| D | 0.950 | 1.050 |
| D1 | 0.450 | 0.550 |
| E | 0.950 | 1.050 |
| E1 | 0.450 | 0.550 |
| K | 0.195 REF | |
| b | 0.175 | 0.275 |
| e | 0.575 | 0.675 |
| L | 0.200 | 0.300 |

UTDFN1x1-4L Surface Mount Package

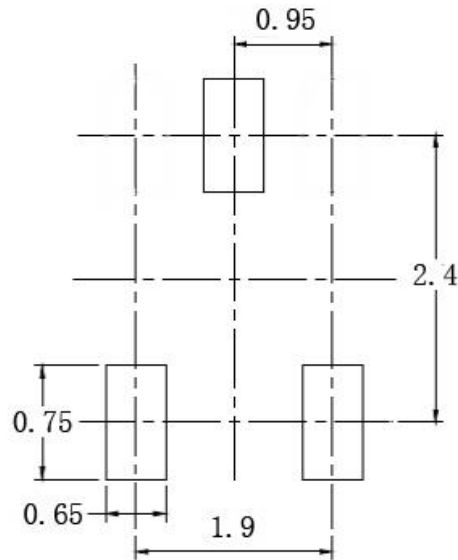
LAND PATTERN DATA

SOT23-5



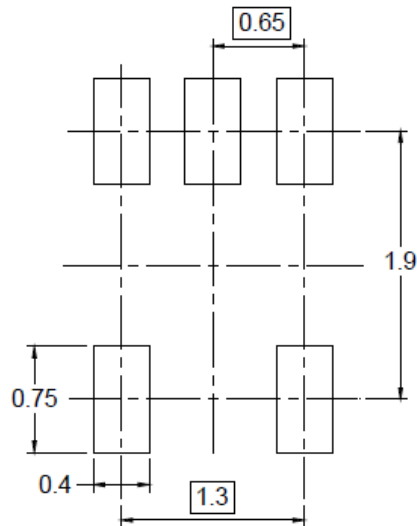
RECOMMENDED PCB LAYOUT PATTERN (Unit: mm)

SOT23-3



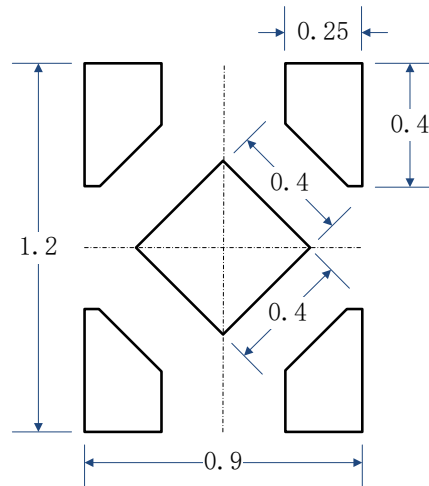
RECOMMENDED PCB LAYOUT PATTERN (Unit: mm)

SC70-5



RECOMMENDED PCB LAYOUT PATTERN (Unit: mm)

UTDFN1x1-4L



RECOMMENDED PCB LAYOUT PATTERN (Unit: mm)

X-ON Electronics

Largest Supplier of Electrical and Electronic Components

Click to view similar products for [Linear Voltage Regulators](#) category:

Click to view products by [BROADCHIP](#) manufacturer:

Other Similar products are found below :

[LV56831P-E](#) [LV5684PVD-XH](#) [MCDTSA6-2R](#) [L7815ACV-DG](#) [PQ3DZ53U](#) [LV56801P-E](#) [TLE42794G](#) [L78L05CZ/1SX](#) [L78LR05DL-MA-E](#) [636416C](#) [714954EB](#) [BA033LBSG2-TR](#) [LV5680P-E](#) [L78M15CV-DG](#) [TLS202B1MBV33HTSA1](#) [L79M05T-E](#) [TLS202A1MBVHTSA1](#) [L78LR05D-MA-E](#) [NCV317MBTG](#) [NTE7227](#) [LV5680NPVC-XH](#) [LT1054CN8](#) [MP2018GZD-5-Z](#) [MP2018GZD-33-Z](#) [MIC5281-3.3YMM](#) [MC78L06BP-AP](#) [TA48LS05F\(TE85L,F\)](#) [TA78L12F\(TE12L,F\)](#) [TC47BR5003ECT](#) [TCR2LN12,LF\(S](#) [TCR2LN28,LF\(S](#) [TCR2LN30,LF\(S](#) [TCR3DF295,LM\(CT](#) [TCR3DF40,LM\(CT](#) [BA178M20CP-E2](#) [L78M12ABDT](#) [LM7812SX/NOPB](#) [LR645N3-G-P003](#) [LR645N3-G-P013](#) [ZXTR2005P5-13](#) [SCD7812BTG](#) [TCR3DF335,LM\(CT](#) [ZXTR2012K-13](#) [TLE42994E V33](#) [ZXTR2008K-13](#) [ZXTR2005K-13](#) [L88R05DL-E](#) [ADP3300ARTZ-2.7RL7](#) [LM120K-15/883](#) [IFX54441LDVXUMA1](#)