

ACML-7400, ACML-7410, and ACML-7420

3.3V/5V 100-MBd High-Speed CMOS Digital Isolator

Description

The Broadcom® ACML-7400, ACML-7410, and ACML-7420 are multi-channel, high-speed CMOS digital isolators. Using magnetic coupling through a thick insulation barrier, the isolators enable high speed transmissions without compromise in isolation performance. These isolators consume low power even at high data rates, yet provide excellent transient immunity performance in compact surface-mount packages. The devices are qualified to a maximum propagation delay of 36 ns and a maximum pulse width distortion of 3 ns. They are capable of running at a 100 MBaud data rate.

ACML-7400, ACML-7410, and ACML-7420 are available in 16-pin SOIC wide-body packages. They operate at dual 3.3V/5V supply voltages. The DC and timing specifications are specified over the temperature range of -40°C to $+105^{\circ}\text{C}$. ACML-7400, ACML-7410, and ACML-7420 are built using CMOS input buffers and CMOS output drivers to eliminate the need for both input limiters and output pull-up resistors. Refresh circuitry is built in to ensure DC-correctness.

Applications

- Isolated data interfaces
- Data acquisition
- Digital oscilloscopes
- Power meters
- High speed video transmission

Features

- Dual supply voltage compatible – 3.3V and 5V
- Wide operating temperature range (-40°C to $+105^{\circ}\text{C}$)
- Support high speed data rate of at least 100 MBd
- Lower power consumption – 15 mA per channel typical
- Low propagation delay: 36 ns max.
- Low propagation delay skew
 - Channel-to-channel: 4 ns max.
 - Part-to-part: 8 ns max.
- Low pulse width distortion: 3 ns max.
- Safety and regulatory approvals
 - UL Recognised
 - 5600 V_{RMS} for 1 min. per UL1577
 - CSA Component Acceptance Notice #5 IEC 60950-1
 - Basic Insulation, 800 V_{RMS} max. working voltage
 - Reinforced Insulation, 400 V_{RMS} max. working voltage
 - IEC 61010-1
 - Basic Insulation, 800 V_{RMS} max. working voltage
 - Reinforced Insulation, 400 V_{RMS} max. working voltage
 - IEC 60601-1
 - Two means of patient protection, 250 V_{RMS} max. working voltage
 - Two means of operator protection, 400 V_{RMS} max. working voltage
 - High common mode transient immunity: 75 kV/ μs min.
 - CMOS buffer input and output
 - DC correctness
 - Lead-free

CAUTION! It is advised that normal static precautions be taken in handling and assembly of this component to prevent damage and/or degradation that may be induced by ESD. The components featured in this data sheet are not to be used in military or aerospace applications or environments.

Device Selection Guide

Device Number	Channel Configuration	Package
ACML-7400	Quad, All-in-One	16-pin Small Outline, Wide Body
ACML-7410	Quad, Bi-directional, 3/1	16-pin Small Outline, Wide Body
ACML-7420	Quad, Bi-directional, 2/2	16-pin Small Outline, Wide Body

Ordering Information

ACML-7400, ACML-7410, and ACML-7420 are UL Recognized with 5600 V_{RMS} for 1 minute per UL1577.

Part Number	Option	Package	Surface Mount	Tape and Reel	UL 5600 V _{RMS} / 1 Minute rating	Quantity
	RoHS Compliant					
ACML-7400	-000E	Wide Body SO-16	X		X	45 per tube
ACML-7410	-500E		X	X	X	850 per reel
ACML-7420						

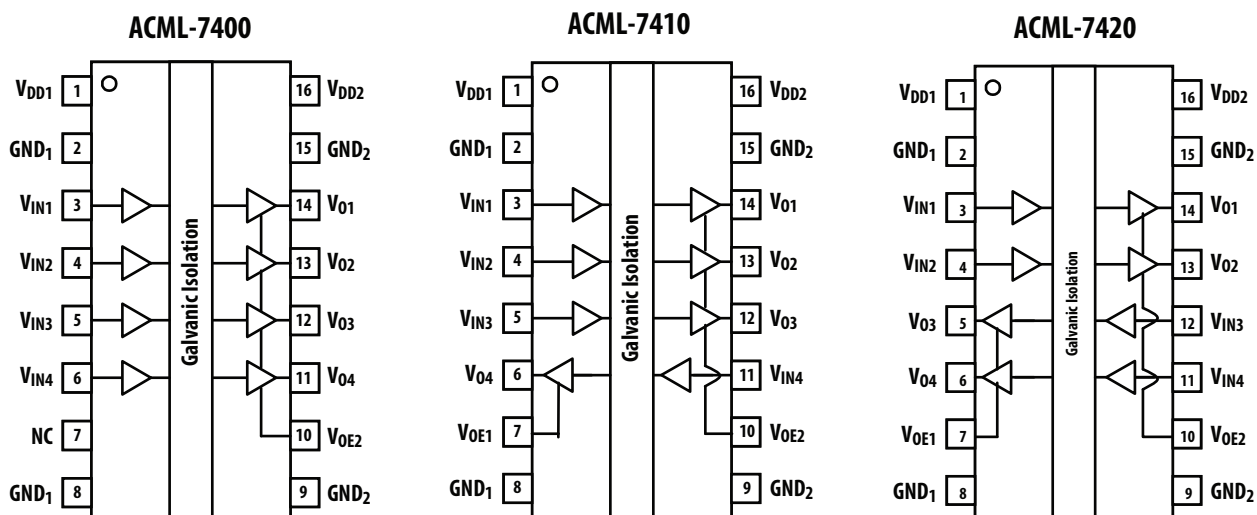
To order, choose a part number from the part number column and combine with the desired option from the option column to form an order entry.

Example 1:

ACML-7420-500E to order product of Wide Body SO-16 package in Tape and Reel in RoHS compliant.

Functional Diagram

Quad Channel



Pin Description

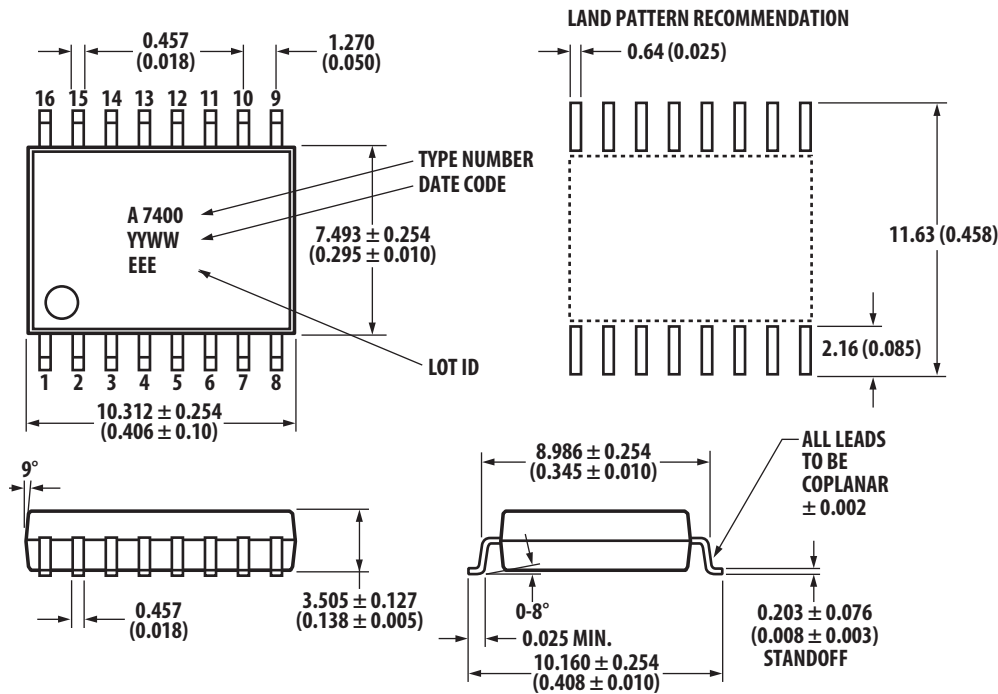
Pin	Description
V_{DD1} , V_{DD2}	Power supply at primary and secondary side
GND_1 , GND_2	Ground at primary and secondary side
V_{IN1} , V_{IN2} , V_{IN3} , V_{IN4}	Input for channel 1, 2, 3, and 4
V_{O1} , V_{O2} , V_{O3} , V_{O4}	Output for channel 1, 2, 3, and 4
V_{OE1} , V_{OE2}	Output enable at V_{DD1} and V_{DD2} side, these pins should be connected to the respective VDD when not in use.
NC	No connectivity

Truth Table (ACML-7410)

V_{DD1}	$V_{IN1,IN2,IN3}$	V_{OE1}	V_{O4}	V_{DD2}	V_{IN4}	V_{OE2}	$V_{O1, O2, O3}$	Remark
H	H	X	X	H	X	H or NC	H	Input ($V_{IN1, IN2, IN3}$) logic High during normal operation. The enable (V_{OE2}) default state is High.
H	L	X	X	H	X	H or NC	L	Input ($V_{IN1, IN2, IN3}$) logic Low during normal operation. The enable (V_{OE2}) default state is High.
H	X	X	X	H	X	L	Z	Output ($V_{O1, O2, O3}$) is disabled to high impedance state when V_{OE2} is set to Low.
L	X	X	X	H	X	H	H	When V_{DD1} is not powered, the output ($V_{O1, O2, O3}$) default state is High. Output ($V_{O1, O2, O3}$) typically restored 100 μ s after V_{DD1} is restored.
H	X	H or NC	H	H	H	X	X	Input (V_{IN4}) logic High during normal operation. The enable (V_{OE1}) default state is High.
H	X	H or NC	L	H	L	X	X	Input (V_{IN4}) logic Low during normal operation. The enable (V_{OE1}) default state is High.
H	X	L	Z	H	X	X	X	Output (V_{O4}) is disabled to high impedance state when V_{OE1} is set to Low.
H	X	H	H	L	X	X	X	When V_{DD2} is not powered, the output (V_{O4}) default state is High. Output (V_{O4}) typically restored 100 ms after V_{DD2} is restored.

Package Outline Drawings

ACML-7400, ACML-7410 and ACML-7420 16-Lead Surface Mount (SOIC-16) Package



DIMENSIONS IN MILLIMETERS AND (INCHES).

NOTE: FLOATING LEAD PROTRUSION IS 0.15 mm (6 mils) MAX.

Recommended Pb-Free IR Profile

Recommended reflow condition as per JEDEC Standard, J-STD-020 (latest revision). Non-halide flux should be used.

Regulatory Information

The ACML-7400, ACML-7410 and ACML-7420 are approved by the following organizations.

UL	UL1577, component recognition program.
CSA	CSA Component Acceptance Service Notice #5A.

TUV Rhelndland

Insulation Category	IEC 60950-1		IEC 61010-1		IEC 60601-1	
	Reinforced	Basic	Reinforced	Basic	2 Means of Patient Protection	2 Means of Operator Protection
Working Voltage	400 V _{RMS} (567 V _{PEAK})	800 V _{RMS} (1132 V _{PEAK})	400 V _{RMS} (567 V _{PEAK})	800 V _{RMS} (1132 V _{PEAK})	250 V _{RMS} (354 V _{PEAK})	400 V _{RMS} (567 V _{PEAK})

Insulation and Safety-Related Specifications

Parameter	Symbol	ACML-7400 ACML-7410 ACML-7420	Units	Conditions
Minimum External Air Gap (Clearance)	L(101)	8.1	mm	Measured from input terminals to output terminals, shortest distance through air.
Minimum External Tracking (Creepage)	L(102)	8.1	mm	Measured from input terminals to output terminals, shortest distance path along body.
Minimum Internal Plastic Gap (Internal Clearance)		0.05	mm	Through insulation distance conductor to conductor, usually the straight line distance thickness between the emitter and detector.
Tracking Resistance (Comparative Tracking Index)	CTI	>175	V	DIN IEC 112/VDE 0303 Part 1
Isolation Group		IIIa		Material Group (DIN VDE 0110, 1/89, Table 1)

All creepage and clearance pertain to the isolation component itself. These dimensions are needed as a starting point for the designer when determining the circuit insulation requirements, and not reflective of the equipment standard requirements.

NOTE: These isolators are suitable for *safe electrical isolation* only within the safety limit data. Maintenance of the safety data shall be ensured by means of protective circuits.

Absolute Maximum Ratings

Parameter	Symbol	Min.	Max.	Units	
Storage Temperature	T_S	-55	+125	°C	
Ambient Operating Temperature	T_A	-40	+125	°C	
Supply Voltages	V_{DD1}, V_{DD2}	0	6.5	Volts	
Input Voltage	V_I	-0.5	$V_{DD} + 0.5$	Volts	
Output Voltage	V_O	-0.5	$V_{DD} + 0.5$	Volts	
Average Output Current	I_O	—	±15	mA	
Electrostatic Discharge	Human Body Model	HBM	—	±4	kV
	Charge Device Model	CDM	—	±1	kV
Solder Reflow Temperature Profile	See the Solder Reflow Temperature Profile				

Recommended Operating Conditions

Parameter	Symbol	Min.	Max.	Units	Notes
Ambient Operating Temperature	T_A	-40	+105	°C	
Supply Voltages (3.3V operation)	V_{DD1}, V_{DD2}	3.0	3.6	V	
Supply Voltages (5V operation)	V_{DD1}, V_{DD2}	4.5	5.5	V	
Logic High Input Voltage	V_{IH}	$0.7 \times V_{DD}$	V_{DD}	V	
Logic Low Input Voltage	V_{IL}	0.0	$0.3 \times V_{DD}$	V	

Electrical Specifications

ACML-7400

The following specifications apply to ACML-7400 and are applicable to ambient temperature of $-40^{\circ}\text{C} \leq T_A \leq 105^{\circ}\text{C}$, input supply of $3.0\text{V} \leq V_{DD1} \leq 3.6\text{V}$ or $4.5\text{V} \leq V_{DD1} \leq 5.5\text{V}$, and output supply of $3.0\text{V} \leq V_{DD2} \leq 3.6\text{V}$ or $4.5\text{V} \leq V_{DD2} \leq 5.5\text{V}$. All typical specifications at $T_A = +25^{\circ}\text{C}$.

Parameter	Symbol	Min.	Typ.	Max.	Unit	Test Conditions	Figure	Notes	
Input Supply Current, No data	$I_{DD1(0)}$	—	5.9 ^a	10	mA	No Input	1, 7	b	
			6.8 ^c						
Input Supply Current, 25 MBd data rate	$I_{DD1(25)}$	—	16	—	mA	$V_{DD1} = 3.3\text{V}$	12.5-MHz logic signal	1, 7	d
			17			$V_{DD1} = 5.0\text{V}$			
Input Supply Current, 100 MBd data rate	$I_{DD1(100)}$	—	30 ^a	40	mA	$V_{DD1} = 3.6\text{V}$	50-MHz logic signal	1, 7	d
			31 ^c	40		$V_{DD1} = 5.5\text{V}$			
Output Supply Current, No data	$I_{DD2(0)}$	—	12 ^a	16	mA	No Input	2, 8	e	
			13 ^c						
Output Supply Current, 25 MBd	$I_{DD2(25)}$	—	15	—	mA	$V_{DD1} = 3.3\text{V}$	12.5-MHz logic signal	2, 8	f
			17			$V_{DD1} = 5.0\text{V}$			
Output Supply Current, 100 MBd data rate	$I_{DD2(100)}$	—	23 ^a	32	mA	$V_{DD1} = 3.6\text{V}$	50-MHz logic signal	2, 8	f
			30 ^c	40		$V_{DD1} = 5.5\text{V}$			
Logic Input Current	I_{IN}	-10	—	10	μA				
Logic High Output Voltage	V_{OH}	$V_{DD} - 0.1$	$V_{DD} - 0.02$	—	V	$I_{OUT} = -20 \mu\text{A}, V_{IN} = V_{DD1}$			
		$0.8 \times V_{DD}$	$V_{DD} - 0.25$	—	V	$I_{OUT} = -4 \text{ mA}, V_{IN} = V_{DD1}$			
Logic Low Output Voltage	V_{OL}	-	0.02	0.1	V	$I_{OUT} = 20 \mu\text{A}, V_{IN} = 0\text{V}$			
			0.25	0.8	V	$I_{OUT} = 4 \text{ mA}, V_{IN} = 0\text{V}$			

- Typical data based on 3.3V supply.
- $I_{DD1(0)}$ is the supply current consumption at V_{DD1} when there is no signal to all inputs.
- Typical data based on 5.0V supply.
- $I_{DD1(F)}$ is the supply current consumption at V_{DD1} when inputs are switching at the specified data rate, and outputs are switching at same data rate with no load.
- $I_{DD2(0)}$ is the supply current consumption at V_{DD2} when there is no signal to all inputs.
- $I_{DD2(F)}$ is the supply current consumption at V_{DD2} when inputs are switching at the specified data rate, and outputs are switching at same data rate with no load.

ACML-7410

The following specifications apply to ACML-7410 and are applicable to ambient temperature of $-40^{\circ}\text{C} \leq T_A \leq 105^{\circ}\text{C}$, input supply of $3.0\text{V} \leq V_{DD1} \leq 3.6\text{V}$ or $4.5\text{V} \leq V_{DD1} \leq 5.5\text{V}$, and output supply of $3.0\text{V} \leq V_{DD2} \leq 3.6\text{V}$ or $4.5\text{V} \leq V_{DD2} \leq 5.5\text{V}$. All typical specifications at $T_A = +25^{\circ}\text{C}$.

Parameter	Symbol	Min.	Typ.	Max.	Unit	Test Conditions	Figure	Notes
Input Supply Current, No data	$I_{DD1(0)}$	—	8.4 ^a	11.5	mA	No Input	3, 7	b
			9.4 ^c					
Input Supply Current, 25 MBd data rate	$I_{DD1(25)}$	—	15.5 ^a	—	mA	$V_{DD1} = 3.3\text{V}$	3, 7	d
			17 ^c	—		$V_{DD1} = 5.0\text{V}$		
Input Supply Current, 100 MBd data rate	$I_{DD1(100)}$	—	28.5 ^a	40	mA	$V_{DD1} = 3.6\text{V}$	3, 7	d
			30.5 ^c	40		$V_{DD1} = 5.5\text{V}$		
Output Supply Current, No data	$I_{DD2(0)}$	—	9.5 ^a	16	mA	No Input	4, 8	e
			10.4 ^c	—				
Output Supply Current, 25 MBd	$I_{DD2(25)}$	—	15 ^a	—	mA	$V_{DD1} = 3.3\text{V}$	4, 8	f
			17 ^c	—		$V_{DD1} = 5.0\text{V}$		
Output Supply Current, 100 MBd data rate	$I_{DD2(100)}$	—	25 ^a	34	mA	$V_{DD1} = 3.6\text{V}$	4, 8	f
			30 ^c	40		$V_{DD1} = 5.5\text{V}$		
Logic Input Current	I_{IN}	-10	—	10	μA			
Logic High Output Voltage	V_{OH}	$V_{DD} - 0.1$	$V_{DD} - 0.02$	—	V	$I_{OUT} = -20\ \mu\text{A}, V_{IN} = V_{DD1}$		
		$0.8 \times V_{DD}$	$V_{DD} - 0.25$	—	V	$I_{OUT} = -4\ \text{mA}, V_{IN} = V_{DD1}$		
Logic Low Output Voltage	V_{OL}	-	0.02	0.1	V	$I_{OUT} = 20\ \mu\text{A}, V_{IN} = 0\text{V}$		
			0.25	0.8	V	$I_{OUT} = 4\ \text{mA}, V_{IN} = 0\text{V}$		

- Typical data based on 3.3V supply.
- $I_{DD1(0)}$ is the supply current consumption at V_{DD1} when there is no signal to all inputs.
- Typical data based on 5.0V supply.
- $I_{DD1(F)}$ is the supply current consumption at V_{DD1} when inputs are switching at the specified data rate, and outputs are switching at same data rate with no load.
- $I_{DD2(0)}$ is the supply current consumption at V_{DD2} when there is no signal to all inputs.
- $I_{DD2(F)}$ is the supply current consumption at V_{DD2} when inputs are switching at the specified data rate, and outputs are switching at same data rate with no load.

ACML-7420

The following specifications apply to ACML-7420 and are applicable to ambient temperature of $-40^{\circ}\text{C} \leq T_A \leq 105^{\circ}\text{C}$, input supply of $3.0\text{V} \leq V_{DD1} \leq 3.6\text{V}$ or $4.5\text{V} \leq V_{DD1} \leq 5.5\text{V}$, and output supply of $3.0\text{V} \leq V_{DD2} \leq 3.6\text{V}$ or $4.5\text{V} \leq V_{DD2} \leq 5.5\text{V}$. All typical specifications at $T_A = +25^{\circ}\text{C}$.

Parameter	Symbol	Min.	Typ.	Max.	Unit	Test Conditions	Figure	Notes
Input Supply Current, No data	$I_{DD1(0)}$	—	9.0 ^a	13	mA	No Input $V_{DD1} = 5.5\text{V}$	5, 7	b
			9.9 ^c					
Input Supply Current, 25 MBd data rate	$I_{DD1(25)}$	—	15 ^a	—	mA	$V_{DD1} = 3.3\text{V}$ 12.5-MHz logic signal	5, 7	d
			17 ^c			$V_{DD1} = 5.0\text{V}$		
Input Supply Current, 100 MBd data rate	$I_{DD1(100)}$	—	27 ^a	36	mA	$V_{DD1} = 3.6\text{V}$ 50-MHz logic signal	5, 7	d
			30 ^c	40		$V_{DD1} = 5.5\text{V}$		
Output Supply Current, No data	$I_{DD2(0)}$	—	9.0 ^a	13	mA	No Input $V_{DD1} = 5.5\text{V}$	6, 8	e
			9.9 ^c					
Output Supply Current, 25 MBd	$I_{DD2(25)}$	—	15 ^a	—	mA	$V_{DD1} = 3.3\text{V}$ 12.5-MHz logic signal	6, 8	f
			17 ^c			$V_{DD1} = 5.0\text{V}$		
Output Supply Current, 100 MBd data rate	$I_{DD2(100)}$	—	27 ^a	36	mA	$V_{DD1} = 3.6\text{V}$ 50-MHz logic signal	6, 8	f
			30 ^c	40		$V_{DD1} = 5.5\text{V}$		
Logic Input Current	I_{IN}	-10	—	10	μA			
Logic High Output Voltage	V_{OH}	$V_{DD} - 0.1$	$V_{DD} - 0.02$	—	V	$I_{OUT} = -20\ \mu\text{A}, V_{IN} = V_{DD1}$		
		$0.8 \times V_{DD}$	$V_{DD} - 0.25$	—	V	$I_{OUT} = -4\ \text{mA}, V_{IN} = V_{DD1}$		
Logic Low Output Voltage	V_{OL}	-	0.02	0.1	V	$I_{OUT} = 20\ \mu\text{A}, V_{IN} = 0\text{V}$		
			0.25	0.8	V	$I_{OUT} = 4\ \text{mA}, V_{IN} = 0\text{V}$		

- Typical data based on 3.3V supply.
- $I_{DD1(0)}$ is the supply current consumption at V_{DD1} when there is no signal to all inputs.
- Typical data based on 5.0V supply.
- $I_{DD1(F)}$ is the supply current consumption at V_{DD1} when inputs are switching at the specified data rate, and outputs are switching at same data rate with no load.
- $I_{DD2(0)}$ is the supply current consumption at V_{DD2} when there is no signal to all inputs.
- $I_{DD2(F)}$ is the supply current consumption at V_{DD2} when inputs are switching at the specified data rate, and outputs are switching at same data rate with no load.

Switching Specifications

Over the recommended temperature of $-40^{\circ}\text{C} \leq T_A \leq 105^{\circ}\text{C}$, supply voltage of $3.0\text{V} \leq V_{DD1} \leq 3.6\text{V}$ or $4.5\text{V} \leq V_{DD1} \leq 5.5\text{V}$, and of $3.0\text{V} \leq V_{DD2} \leq 3.6\text{V}$ or $4.5\text{V} \leq V_{DD2} \leq 5.5\text{V}$, unless further specified. All typical specifications are at $T_A = +25^{\circ}\text{C}$.

Parameter	Symbol	Min.	Typ.	Max.	Unit	Test Conditions	Figure	Notes
Maximum Data Rate		100	—	—	MBd	50-MHz Logic Signal		
Minimum Pulse Width		—	—	10	ns	50-MHz Logic Signal		
Propagation Delay Time to Logic Low Output	t_{PHL}	18	27	32	ns	$4.5\text{V} \leq V_{DD1} = V_{DD2} \leq 5.5\text{V}$, $C_L = 15\text{ pF}$	9	a
Propagation Delay Time to Logic High Output	t_{PLH}	18	27	32	ns		9	a
Pulse Width Distortion	PWD	-2	0	2	ns		11	b
Propagation Delay Channel Skew	t_{CSK}	—	0	3	ns		12	c
Propagation Delay Part Skew	t_{PSK}	—	1	5	ns			d
Propagation Delay Time to Logic Low Output	t_{PHL}	20	28	36	ns		$C_L = 15\text{ pF}$	9, 10
Propagation Delay Time to Logic High Output	t_{PLH}	20	27.5	36	ns	9, 10		a
Pulse Width Distortion	PWD	-3	0.5	3	ns	11		b
Propagation Delay Channel Skew	t_{CSK}	—	0	4	ns	12		c
Propagation Delay Part Skew	t_{PSK}	—	1	8	ns			d
Output Rise Time (10% – 90%)	t_R	—	3	—	ns	$C_L = 15\text{ pF}$		
Output Fall Time (90% - 10%)	t_F	—	3	—	ns	$C_L = 15\text{ pF}$		
Output Enable time	t_{ENABLE}	—	10	—	ns	$V_{IN} = 0\text{V}$ or V_{DD}		e
Output Disable time	$t_{DISABLE}$	—	10	—	ns	$V_{IN} = 0\text{V}$ or V_{DD}		f
Common Mode Transient Immunity at Logic High Output	$ CM_H $	75	—	—	kV/ μs	$V_{CM} = 1500\text{V}$, $T_A = 25^{\circ}\text{C}$, $V_{IN} = V_{DD}$, $V_O > 0.8 \times V_{DD}$		g
Common Mode Transient Immunity at Logic Low Output	$ CM_L $	75	—	—	kV/ μs	$V_{CM} = 1500\text{V}$, $T_A = 25^{\circ}\text{C}$, $V_{IN} = 0\text{V}$, $V_O < 0.8\text{V}$		g

- t_{PHL} propagation delay is measured from the 50% level on the falling edge of the V_{IN} signal to the 50% level of the falling edge of the V_{OUT} signal. t_{PLH} propagation delay is measured from the 50% level on the rising edge of the V_{IN} signal to the 50% level of the rising edge of the V_{OUT} signal.
- PWD is defined as $t_{PHL} - t_{PLH}$.
- t_{CSK} is equal to the magnitude of the worst case difference in t_{PHL} and/or t_{PLH} that will be seen between channels of the same unit at any given temperature and supply voltages within the recommended operating conditions.
- t_{PSK} is equal to the magnitude of the worst case difference in t_{PHL} and/or t_{PLH} that will be seen between units at any given temperature and supply voltages within the recommended operating conditions.
- t_{ENABLE} is the duration when V_{OE} is set to High state and output is restored per input signal ($V_O = V_{IN}$).
- $t_{DISABLE}$ is the duration when V_{OE} is set to Low and V_O is switched to high impedance state.
- CM_H is the maximum common mode voltage slew rate that can be sustained while maintaining $V_{OUT} > 0.8 V_{DD2}$. CM_L is the maximum common mode input voltage that can be sustained while maintaining $V_{OUT} < 0.8\text{V}$. The common mode voltage slew rates apply to both rising and falling common mode voltage edges.

Package Characteristics

All Typicals at $T_A = 25^\circ\text{C}$.

Parameters	Symbol	Min.	Typ.	Max.	Unit	Test Conditions	Notes
Input-Output Momentary Withstand Voltage	V_{ISO}	5600	—	—	V_{RMS}	$RH \leq 50\%$, $t = 1$ minute, $T_A = 25^\circ\text{C}$	a, b, c
Input-Output Resistance	R_{I-O}	—	10^{14}	—	Ω	$V_{I-O} = 500\text{V dc}$	a
Input-Output Capacitance	C_{I-O}	—	1.9	—	pF	$f = 1$ MHz	a
Input Capacitance	C_I	—	4.3	—	pF		d
Package Power Dissipation	P_{PD}		—	750	mW	$T_A = 25^\circ\text{C}$	

- Device considered a two-terminal device: pins 1, 2, 3, 4, 5, 6, 7, and 8 shorted together and pins 9, 10, 11, 12, 13, 14, 15 and 16 shorted together.
- In accordance with UL1577, each device is proof tested by applying an insulation test voltage $6800 V_{RMS}$ for 1 second.
- The Input-Output Momentary Withstand Voltage is a dielectric voltage rating that should not be interpreted as an input-output continuous voltage rating. For the continuous voltage rating refers to your equipment level safety specification.
- C_I is the capacitance measured at input pin.

Characteristic Curves

Figure 1: Typical I_{DD1} of ACML-7400 vs. Temperature

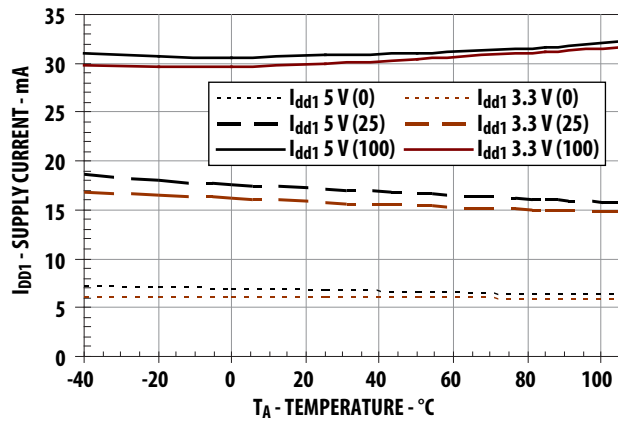


Figure 2: Typical I_{DD2} of ACML-7400 vs. Temperature

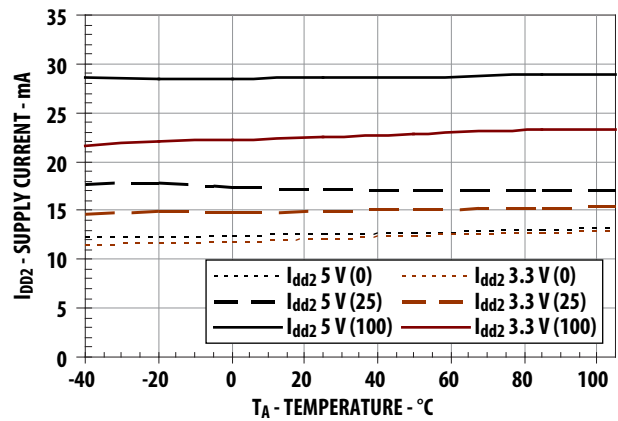


Figure 3: Typical I_{DD1} of ACML-7410 vs. Temperature

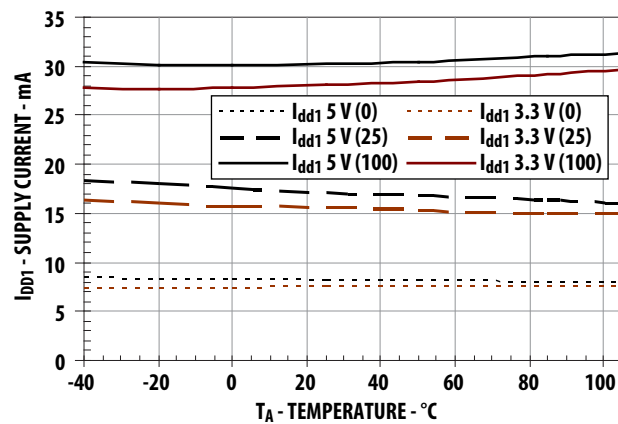


Figure 4: Typical I_{DD2} of ACML-7410 vs. Temperature

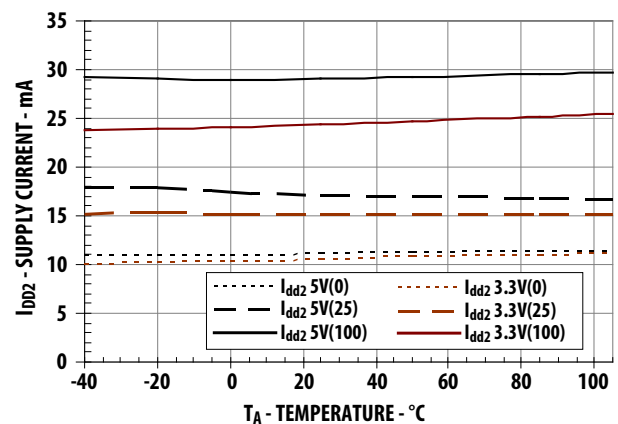


Figure 5: Typical I_{DD1} of ACML-7420 vs. Temperature

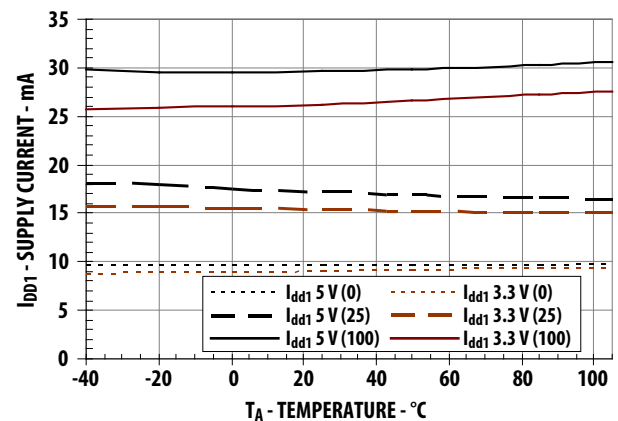


Figure 6: Typical I_{DD2} of ACML-7420 vs. Temperature

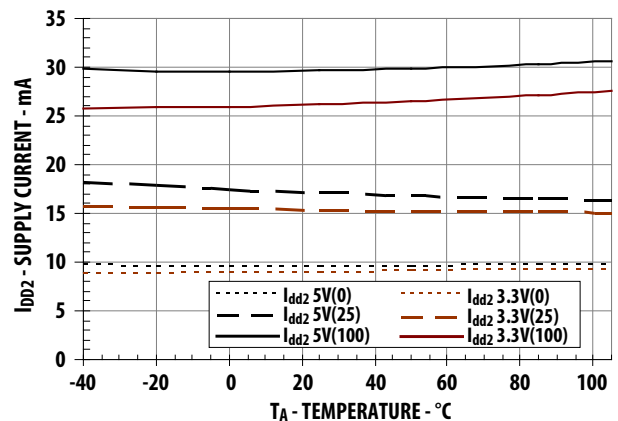


Figure 7: Typical Supply Current per Transmit Channel vs. Data Rate

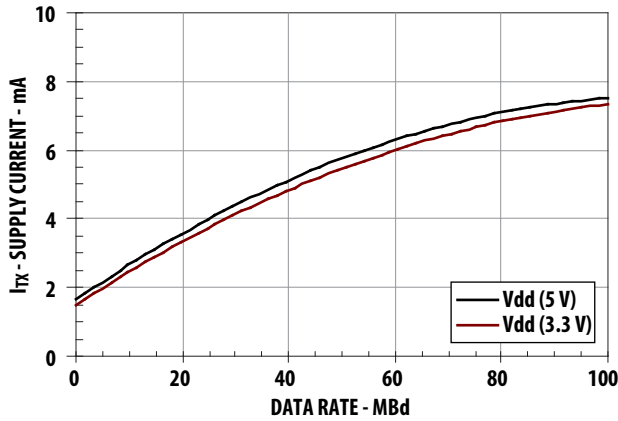


Figure 8: Typical Supply Current per Receive Channel vs. Data Rate

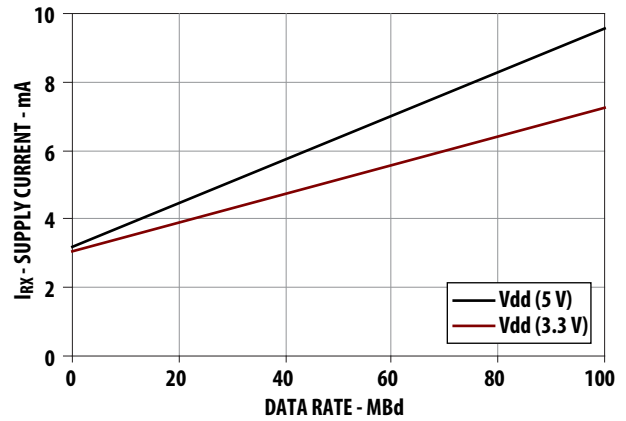


Figure 9: Typical Propagation Delay vs. Temperature

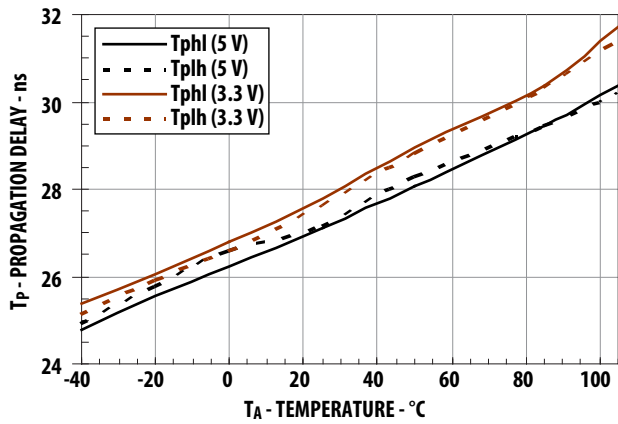


Figure 10: Typical Propagation Delay vs. Temperature

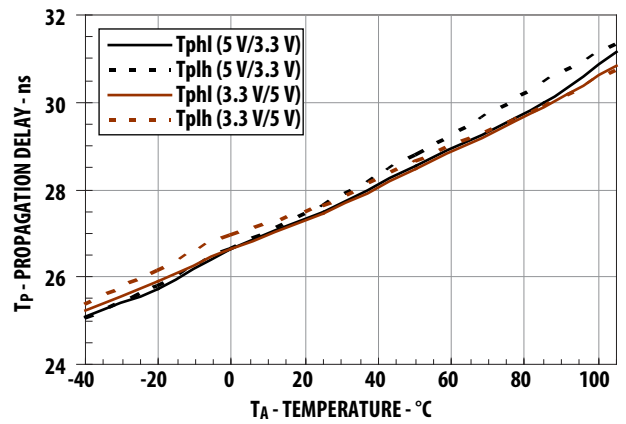


Figure 11: Typical Pulse Width Distortion vs. Temperature

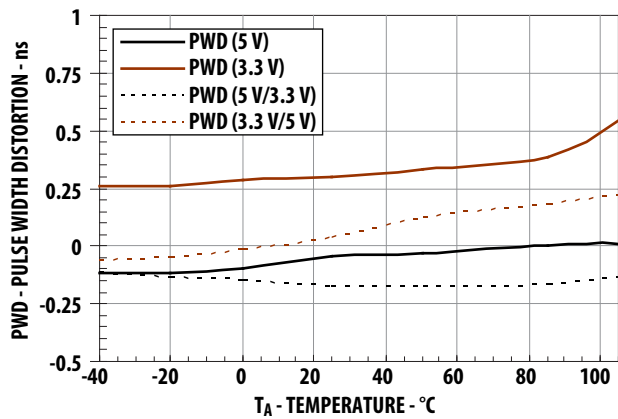
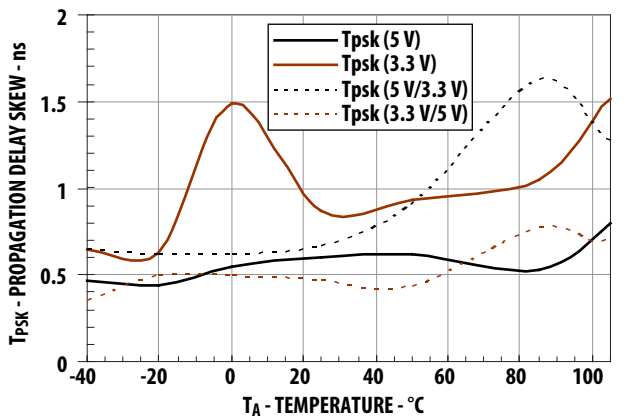


Figure 12: Typical Channel-Channel Delay Skew vs. Temperature



Supply Current Consumption

It should be noted that the output supply current is specified under no load conditions. Additional supply current consumption from board or components loading can be computed based on:

$$I_{DD} = CVF$$

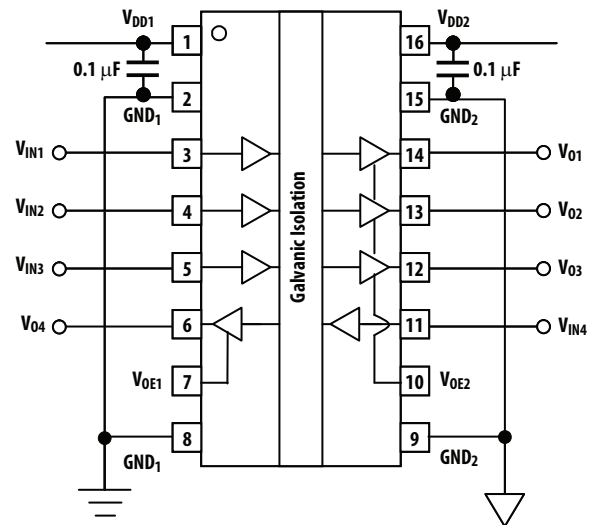
Where I_{DD} is the additional supply current consumption per output channel, C is the load capacitance, V is the supply voltage and F is the frequency of the signal

Bypassing and PC Board Layout

The ACML-7400 series digital isolators are extremely easy to use. No external interface circuitry is required because ACML-7400 series use high speed CMOS IC technology allowing CMOS logic to be connected directly to the inputs and outputs.

As shown in [Figure 13](#), the only external components required for proper operation are two bypass capacitors for decoupling the power supply. Capacitor values should typically be 0.1 μF . For each capacitor, the total lead length between both ends of the capacitor and the power supply pins should be as short as possible.

Figure 13: Typical Schematic of ACML-7410 on PC Board



Broadcom, the pulse logo, Connecting everything, Avago Technologies, Avago, and the A logo are among the trademarks of Broadcom and/or its affiliates in the United States, certain other countries and/or the EU.

Copyright © 2011–2018 Broadcom. All Rights Reserved.

The term “Broadcom” refers to Broadcom Limited and/or its subsidiaries. For more information, please visit www.broadcom.com.

Broadcom reserves the right to make changes without further notice to any products or data herein to improve reliability, function, or design. Information furnished by Broadcom is believed to be accurate and reliable. However, Broadcom does not assume any liability arising out of the application or use of this information, nor the application or use of any product or circuit described herein, neither does it convey any license under its patent rights nor the rights of others.



X-ON Electronics

Largest Supplier of Electrical and Electronic Components

Click to view similar products for [Digital Isolators](#) category:

Click to view products by [Broadcom](#) manufacturer:

Other Similar products are found below :

[SI8380P-IUR](#) [IL3485-3E](#) [IL514E](#) [IL515E](#) [IL611-1E](#) [IL612A-3E](#) [IL711-1E](#) [IL711-2E](#) [IL721VE](#) [IL814TE](#) [ADN4652BRSZ-RL7](#)
[ADUM1441ARSZ](#) [ADUM1447ARSZ](#) [ADUM1447ARSZ-RL7](#) [ADUM230D0BRIZ-RL](#) [ADUM230E1BRIZ-RL](#) [ISO7820DW](#)
[ADUM1440ARSZ](#) [ADUM1445ARSZ](#) [ADUM1246ARSZ-RL7](#) [ADUM231E0BRWZ-RL](#) [ADUM4150ARIZ-RL](#) [ADUM4150BRIZ-RL](#)
[ADUM5211ARSZ-RL7](#) [IL3522E](#) [IL3422-3E](#) [IL510-1E](#) [IL610-1E](#) [IL611-2E](#) [IL613-3E](#) [IL716-1E](#) [ISO7342CDWR](#) [ISO7810FDW](#)
[ISO7820FDW](#) [IL611-3E](#) [ADN4655BRWZ](#) [ADUM2211SRIZ-RL](#) [ADUM3471CRSZ-RL7](#) [ADUM3473ARSZ](#) [ADUM6210ARSZ](#)
[ADUM1446ARSZ-RL7](#) [ADN4650BRWZ-RL7](#) [ADUM7641ARQZ](#) [ADUM7643CRQZ](#) [ADUM7643CRQZ-RL7](#) [ADM2582EBRWZ-REEL7](#)
[ADM2587EBRWZ-REEL7](#) [ADM3251EARWZ-REEL](#) [ADN4651BRWZ](#) [ADN4652BRSZ](#)