

AFBR-0548Z Evaluation Kit

DC to 50MBd 650nm Versatile Link Fiber Optic Miniature Evaluation Kit



User Guide

Introduction

AFBR-0548Z is used to evaluate Avago fiber optics device AFBR-1624Z and AFBR-2624Z.

The evaluation kit is equipped with necessary documents and accessories to ease production and verification.

Evaluation Kit

AFBR-0548Z contains

1. Evaluation board
2. AFBR-1624Z and AFBR-2624Z unit
3. AFBR-1624Z/AFBR-2624Z datasheet
4. HFBR-RNS001Z 1m Simplex POF Fiber
5. User guide document

Evaluation Board

The basic evaluation board that you receive from Avago incorporates passive components and connectors for direct TTL input and output. This basic evaluation board allows you to connect TTL sources with TTL sinks directly. The boards are intended for drop in customer test setups to allow the use of the Versatile Link AFBR-1624Z and AFBR-2624Z parts in existing application without major design modifications.

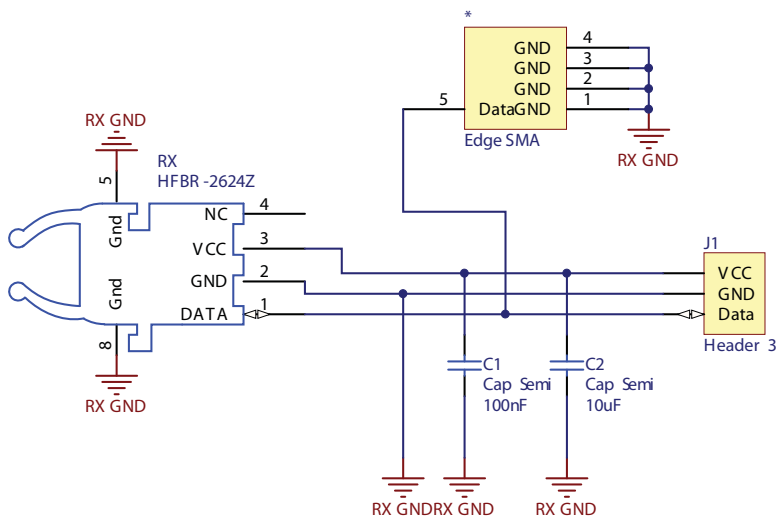
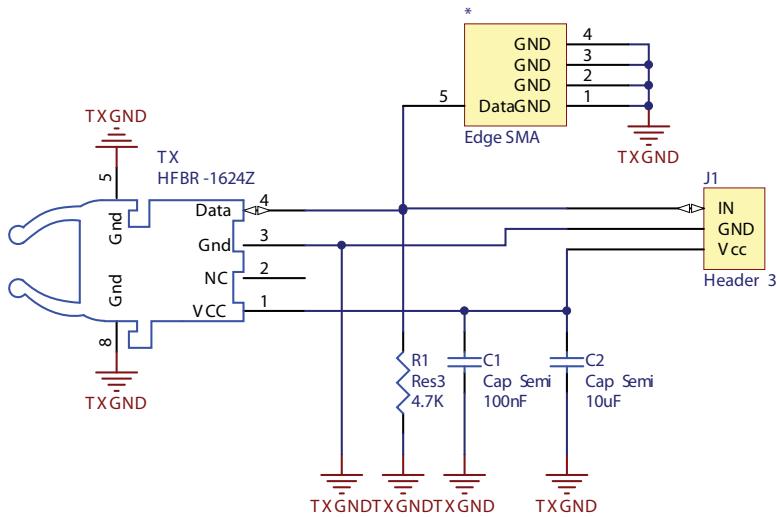
Bidirectional links require two sets of AFBR-0548Z and HFBR-RNS001Z simplex.

For unidirectional links the TX and RX PCB's can be separated along the dotted line.

For more detailed system analysis it is recommended to use the evaluation board AFBR-0546.

Initial Setup

1. Connect 3.3V or 5V supply voltage to 3.3V/5V pin of 3 pin connector
2. Connect 0V to GND pin of 3 pin connector
3. Connect TTL_In to pattern generator output
4. Connect TTL_Out to Oscilloscope or Bit Error Tester with high impedance input.
5. For use at data rates between 10MBd and 50MBd the use of SMA connectors (not included) is advisable.



* Edge SMA connector not assembled.

For product information and a complete list of distributors, please go to our web site: www.avagotech.com

Avago, Avago Technologies, and the A logo are trademarks of Avago Technologies in the United States and other countries. Data subject to change. Copyright © 2005-2012 Avago Technologies. All rights reserved. AV02-3719EN - July 24, 2012



X-ON Electronics

Largest Supplier of Electrical and Electronic Components

Click to view similar products for [Fibre Optic Development Tools](#) category:

Click to view products by [Broadcom](#) manufacturer:

Other Similar products are found below :

[HFBR-0501Z](#) [HFBR-0410Z](#) [EVA-BPDV](#) [FDB-1022](#) [FDB-1032-SFP+](#) [FDB-1051](#) [050-301-EVALBOARD](#) [MIKROE-1940](#)