

## AFBR-57R6AEZ

Digital Diagnostic SFP, 850 nm, Low Voltage (3.3 V)  
4.25/2.125/1.0625 and 1.25 GbD Ethernet,  
RoHS Compliant Optical Transceiver with Rate Select



## Data Sheet



### Description

Avago's AFBR-57R6AEZ optical transceiver supports high-speed serial links over multimode optical fiber at signaling rates up to 4.25 Gb/s. Compliant with Small Form Pluggable (SFP) Multi Source Agreement (MSA) mechanical and electrical specifications for LC Duplex transceivers, ANSI Fibre Channel FC-PI, FC-PI-2 and compliant with IEEE 802.3 for gigabit applications. The part is electrically interoperable with SFP conformant devices.

The AFBR-57R6AEZ is a "Quad Rate" 850 nm SFP which ensures compliance to 4G/2G/1G Fibre Channel and 1G Ethernet specifications. Using the product's Rate\_Select input, the user sets the desired SFP compliance point. In high rate position, the product is equivalent to the 4G/2G/1G Fibre Channel based AFBR-57R5AEZ. In the low rate position, the product moves to a 2G/1G Fibre Channel 1G Ethernet operating mode.

As an enhancement to the conventional SFP interface defined in SFF-8074i, the AFBR-57R6AEZ is compliant to SFF-8472 (digital diagnostic interface for optical transceivers). Using the 2-wire serial interface defined in the SFF-8472 MSA, the AFBR-57R6AEZ provides real time temperature, supply voltage, laser bias current, laser average output power and received input power. This information is in addition to conventional SFP base data. The digital diagnostic interface also adds the ability to disable the transmitter (TX\_DISABLE), monitor for Transmitter Faults (TX\_FAULT), and monitor for Receiver Loss of Signal (RX\_LOS).

### Related Products

- AFBR-59R5LZ: 850 nm +3.3 V LC SFF 2x7 for 4.25/2.125/1.0625 GbD Fibre Channel

### Features

- Compliant to Restriction on Hazardous Substances (RoHS) directive
- Diagnostic features per SFF-8472 "Diagnostic Monitoring Interface for Optical Transceivers"
- Real time monitoring of:
  - Transmitted optical power
  - Received optical power
  - Laser bias current
  - Temperature
  - Supply voltage
- Rate select functionality per SFF 8079 (revision 1.7)
- Wide temperature and supply voltage operation (-10°C to 85°C) (3.3 V ± 10%)
- Transceiver specifications per SFP (SFF-8074i) Multi-Source Agreement and SFF-8472 (revision 9.3)
  - 4.25 GbD Fibre Channel operation for FC-PI 400-M5-SN-I and 400-M6-SN-I
  - 2.125 GbD Fibre Channel operation for FC-PI 200-M5-SN-I and 200-M6-SN-I
  - 1.0625 GbD Fibre Channel operation for FC-PI 100-M5-SN-I and 100-M6-SN-I
  - 1.25 GbD operation for IEEE 802.3 Gigabit Ethernet 1000Base-SX
- Link lengths at 4.25 GbD:
  - 150 m with 50 µm MMF, 70 m with 62.5 µm MMF
- Link lengths at 2.125 GbD:
  - 300 m with 50 µm MMF, 150 m with 62.5 µm MMF
- Link lengths at 1.0625 GbD:
  - 500 m with 50 µm MMF, 300 m with 62.5 µm MMF
- Link lengths at 1.25 GbD:
  - 2 to 550 m with 50 µm MMF, 2 to 275 m with 62.5 µm MMF
- LC Duplex optical connector interface conforming to ANSI TIA/EIA604-10 (FOCIS 10A)
- 850 nm Vertical Cavity Surface Emitting Laser (VCSEL) source technology
- IEC 60825-1 Class 1/CDRH Class 1 laser eye safe
- Compliant with Gigabit Ethernet
- Enhanced EMI performance for high port density applications

## Installation

The AFBR-57R6AEZ can be installed in any SFF-8074i compliant Small Form Pluggable (SFP) port regardless of host equipment operating status. The AFBR-57R6AEZ is hot-pluggable, allowing the module to be installed while the host system is operating and on-line. Upon insertion, the transceiver housing makes initial contact with the host board SFP cage, mitigating potential damage due to Electro-Static Discharge (ESD).

## Digital Diagnostic Interface and Serial Identification

The 2-wire serial interface is based on ATMEL AT24C01A series EEPROM protocol and signaling detail. Conventional EEPROM memory, bytes 0-255 at memory address 0xA0, is organized in compliance with SFF-8074i. New digital diagnostic information, bytes 0-255 at memory address 0xA2, is compliant to SFF-8472. The new diagnostic information provides the opportunity for Predictive Failure Identification, Compliance Prediction, Fault Isolation and Component Monitoring.

The I2C accessible memory page address 0xB0 is used internally by SFP for the test and diagnostic purposes and it is reserved.

## Predictive Failure Identification

The AFBR-57R6AEZ predictive failure feature allows a host to identify potential link problems before system performance is impacted. Prior identification of link problems enables a host to service an application via "fail over" to a redundant link or replace a suspect device, maintaining system uptime in the process. For applications where ultra-high system uptime is required, a digital SFP provides a means to monitor two real-time laser metrics associated with observing laser degradation and predicting failure: average laser bias current (Tx\_Bias) and average laser optical power (Tx\_Power).

## Compliance Prediction

Compliance prediction is the ability to determine if an optical transceiver is operating within its operating and environmental requirements. AFBR-57R6AEZ devices provide real-time access to transceiver internal supply voltage and temperature, allowing a host to identify potential component compliance issues. Received optical power is also available to assess compliance of a cable plant and remote transmitter. When operating out of requirements, the link cannot guarantee error free transmission.

## Fault Isolation

The fault isolation feature allows a host to quickly pinpoint the location of a link failure, minimizing downtime. For optical links, the ability to identify a fault at a local device, remote device or cable plant is crucial to speeding service of an installation. AFBR-57R6AEZ real-time monitors of Tx\_Bias, Tx\_Power, Vcc, Temperature and Rx\_Power can be used to assess local transceiver current operating conditions. In addition, status flags Tx\_Disable and Rx Loss of Signal (LOS) are mirrored in memory and available via the two-wire serial interface.

## Component Monitoring

Component evaluation is a more casual use of the AFBR-57R6AEZ real-time monitors of Tx\_Bias, Tx\_Power, Vcc, Temperature and Rx\_Power. Potential uses are as debugging aids for system installation and design, and transceiver parametric evaluation for factory or field qualification. For example, temperature per module can be observed in high density applications to facilitate thermal evaluation of blades, PCI cards and systems.

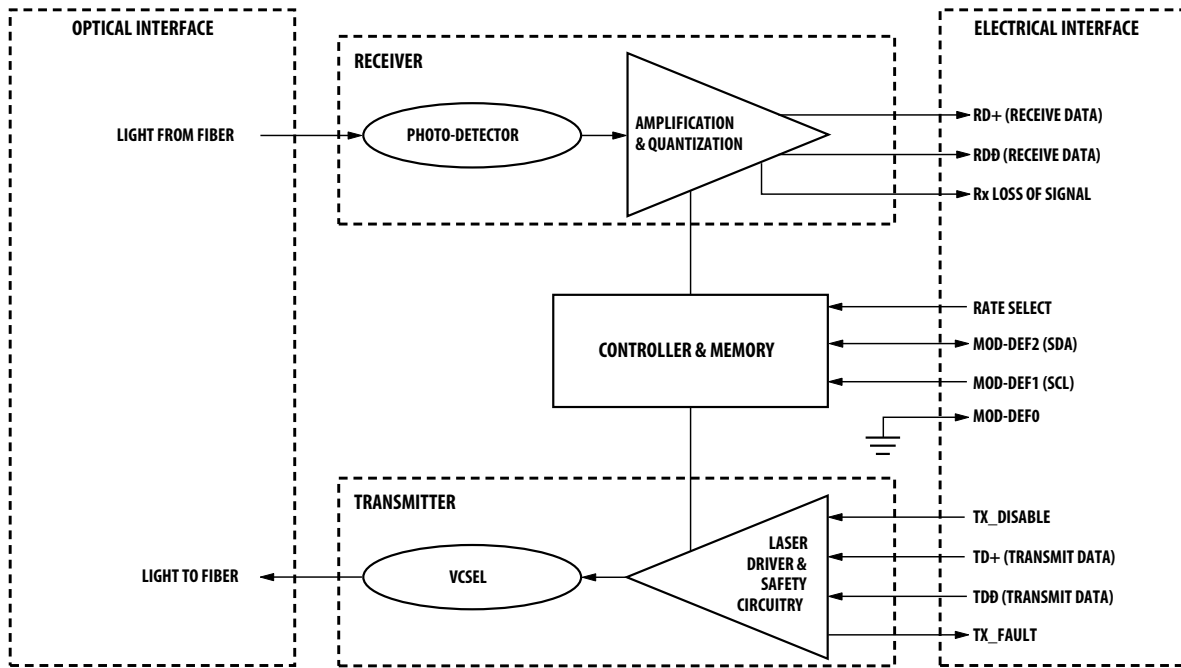


Figure 1. Transceiver functional diagram

## Transmitter Section

The transmitter section includes the Transmitter Optical SubAssembly (TOSA) and laser driver circuitry. The TOSA, containing an 850 nm VCSEL (Vertical Cavity Surface Emitting Laser) light source, is located at the optical interface and mates with the LC optical connector. The TOSA is driven by a custom IC which uses the incoming differential high speed logic signal to modulate the laser diode driver current. This Tx laser driver circuit regulates the optical power at a constant level provided the incoming data pattern is dc balanced (8B/10B code, for example).

## Transmit Disable (Tx\_Disable)

The AFBR-57R6AEZ accepts a TTL and CMOS compatible transmit disable control signal input (pin 3) which shuts down the transmitter optical output. A high signal implements this function while a low signal allows normal transceiver operation. In the event of a fault (e.g. eye safety circuit activated), cycling this control signal resets the module as depicted in Figure 4. An internal pull up resistor disables the transceiver transmitter until the host pulls the input low. Host systems should allow a 10 ms interval between successive assertions of this control signal. Tx\_Disable can also be asserted via the two-wire serial interface (address A2h, byte 110, bit 6) and monitored (address A2h, byte 110, bit 7).

The contents of A2h, byte 110, bit 6 are logic OR'd with hardware Tx\_Disable (pin 3) to control transmitter operation.

## Transmit Fault (Tx\_Fault)

A catastrophic laser fault will activate the transmitter signal, TX\_FAULT, and disable the laser. This signal is an open collector output (pull-up required on the host board). A low signal indicates normal laser operation and a high signal indicates a fault. The TX\_FAULT will be latched high when a laser fault occurs and is cleared by toggling the TX\_DISABLE input or power cycling the transceiver. The transmitter fault condition can also be monitored via the two-wire serial interface (address A2, byte 110, bit 2).

## Eye Safety Circuit

The AFBR-57R6AEZ provides Class 1 (single fault tolerant) eye safety by design and has been tested for compliance with the requirements listed in Table 1. The eye safety circuit continuously monitors the optical output power level and will disable the transmitter upon detecting an unsafe condition beyond the scope of Class 1 certification. Such unsafe conditions can be due to inputs from the host board (Vcc fluctuation, unbalanced code) or a fault within the transceiver.

## Receiver Section

The receiver section includes the Receiver Optical Sub-Assembly (ROSA) and the amplification/quantization circuitry. The ROSA, containing a PIN photodiode and custom transimpedance amplifier, is located at the optical interface and mates with the LC optical connector. The ROSA output is fed to a custom IC that provides post-amplification and quantization.

## Fibre Channel Rate Select (Rate\_Select)

The AFBR-57R6AEZ transceiver contains a parametric optimization circuit to ensure compliant performance for 1.0625 Gb/s, 1.25 Gb/s, 2.125 Gb/s and 4.25 Gb/s data rates. When Rate\_Select (pin 7) is high, the transceiver is optimized for 4.25G/2.125G/1.0625 G Fibre Channel performance as defined in document SFF-8079 and ANSI FC-PI-2. When Rate\_Select is low (or open), the transceiver is optimized for 2.125G/1.0625G Fibre Channel and 1.25G Ethernet performance as defined in document SFF-8079 and INF-8074. Rate\_Select can also be asserted via the two-wire serial interface (address A2h, byte 110, bit 3) and monitored (address A2h, byte 110, bit 4).

The contents of A2h, byte 110, bit 3 are logic OR'd with hardware Rate\_Select (pin 7) to control transmitter operation.

## Receiver Loss of Signal (Rx\_LOS)

The post-amplification IC also includes transition detection circuitry which monitors the ac level of incoming optical signals and provides a TTL/CMOS compatible status signal to the host (pin 8). An adequate optical input results in a low Rx\_LOS output while a high Rx\_LOS output indicates an unusable optical input. The Rx\_LOS thresholds are factory set so that a high output indicates a definite optical fault has occurred. Rx\_LOS can also be monitored via the two-wire serial interface (address A2h, byte 110, bit 1).

## Functional Data I/O

The AFBR-57R6AEZ interfaces with the host circuit board through twenty I/O pins (SFP electrical connector) identified by function in Table 2. The board layout for this interface is depicted in Figure 6.

The AFBR-57R6AEZ high speed transmit and receive interfaces require SFP MSA compliant signal lines on the host board. To simplify board requirements, biasing resistors and ac coupling capacitors are incorporated into the SFP transceiver module (per SFF-8074i) and hence are not required on the host board. The Tx\_Disable, Tx\_Fault, Rx\_LOS, and Rate\_Select lines require TTL lines on the host board (per SFF-8074i) if used. If an application chooses not to take advantage of the functionality of these pins, care must be taken to ground Tx\_Disable (for normal operation).

Figure 2 depicts the recommended interface circuit to link the AFBR-57R6AEZ to supporting physical layer ICs. Timing for MSA compliant control signals implemented in the transceiver are listed in Figure 4.

## Application Support

An Evaluation Kit and Reference Designs are available to assist in evaluation of the AFBR-57R6AEZ. Please contact your local Field Sales representative for availability and ordering details.

## Caution

There are no user serviceable parts nor maintenance requirements for the AFBR-57R6AEZ. All mechanical adjustments are made at the factory prior to shipment. Tampering with, modifying, misusing or improperly handling the AFBR-57R6AEZ will void the product warranty. It may also result in improper operation and possibly overstress the laser source. Performance degradation or device failure may result. Connection of the AFBR-57R6AEZ to a light source not compliant with ANSI FC-PI or IEEE 802.3 specifications, operating above maximum operating conditions or in a manner inconsistent with its design and function may result in exposure to hazardous light radiation and may constitute an act of modifying or manufacturing a laser product. Persons performing such an act are required by law to re-certify and re-identify the laser product under the provisions of U.S. 21 CFR (Subchapter J) and TUV.

## Ordering Information

Please contact your local field sales engineer or one of Avago Technologies franchised distributors for ordering information. For technical information, please visit Avago Technologies' WEB page at [www.avagotech.com](http://www.avagotech.com) or contact Avago Technologies Semicon-ductor Products Customer Response Center at 1-800-235-0312. For information related to SFF Committee documentation visit [www.sffcommittee.org](http://www.sffcommittee.org).

## Regulatory Compliance

The AFBR-57R6AEZ complies with all applicable laws and regulations as detailed in Table 1. Certification level is dependent on the overall configuration of the host equipment. The transceiver performance is offered as a figure of merit to assist the designer.

## Electrostatic Discharge (ESD)

The AFBR-57R6AEZ is compatible with ESD levels found in typical manufacturing and operating environments as described in Table 1. In the normal handling and operation of optical transceivers, ESD is of concern in two circumstances.

The first case is during handling of the transceiver prior to insertion into an SFP compliant cage. To protect the device, it's important to use normal ESD handling pre-cautions. These include use of grounded wrist straps, work-benches and floor wherever a transceiver is handled.

The second case to consider is static discharges to the exterior of the host equipment chassis after installation. If the optical interface is exposed to the exterior of host equipment cabinet, the transceiver may be subject to

system level ESD requirements.

## Electromagnetic Interference (EMI)

Equipment incorporating gigabit transceivers is typically subject to regulation by the FCC in the United States, CENELEC EN55022 (CISPR 22) in Europe and VCCI in Japan. The AFBR-57R6AEZ's compliance to these standards is detailed in Table 1. The metal housing and shielded design of the AFBR-57R6AEZ minimizes the EMI challenge facing the equipment designer.

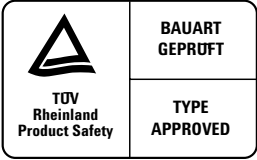
## EMI Immunity (Susceptibility)

Due to its shielded design, the EMI immunity of the AFBR-57R6AEZ exceeds typical industry standards.

## Flammability

The AFBR-57R6AEZ optical transceiver is made of metal and high strength, heat resistant, chemical resistant and UL 94V-0 flame retardant plastic.

**Table 1. Regulatory Compliance**

| Feature   | Test Method  | Performance  |
|---|--|--|
| Electrostatic Discharge (ESD) to the Electrical Pins      | MIL-STD-883C Method 3015.4   | Class 1 (>2000 Volts)  |
| Electrostatic Discharge (ESD) to the Duplex LC Receptacle | Variation of IEC 61000-4-2   | Typically, no damage occurs with 25 kV when the duplex LC connector receptacle is contacted by a Human Body Model probe.         |
|   | GR1089   | 10 contacts of 8 kV on the electrical faceplate with device inserted into a panel.   |
| Electrostatic Discharge (ESD) to the Optical Connector    | Variation of IEC 801-2   | Air discharge of 15 kV (min.) contact to connector without damage.   |
| Electromagnetic Interference (EMI)                        | FCC Class B<br>CENELEC EN55022 Class B (CISPR 22A)<br>VCCI Class 1   | System margins are dependent on customer board and chassis design.   |
| Immunity  | Variation of IEC 61000-4-3   | Typically shows no measurable effect from a 10 V/m field swept from 10 MHz to 1 GHz.   |
| Laser Eye Safety and Equipment Type Testing               | US FDA CDRH AEL Class 1<br>US21 CFR, Subchapter J per Paragraphs 1002.10 and 1002.12<br><br>(IEC) EN60825-1: 2007<br>(IEC) EN60825-2: 2004+A1<br>(IEC) EN60950-1: 2006+A11 | CDRH certification # 9720151-48<br>TUV file # R72102088.01   |
|   |   |  |
| Component Recognition                                     | Underwriters Laboratories and Canadian Standards Association Joint Component Recognition for Information Technology Equipment including Electrical Business Equipment      | UL File # E173874  |
| RoHS Compliance   |  | Less than 1000 ppm of cadmium, lead, mercury, hexavalent chromium, polybrominated biphenyls, and polybrominated biphenyl ethers. |

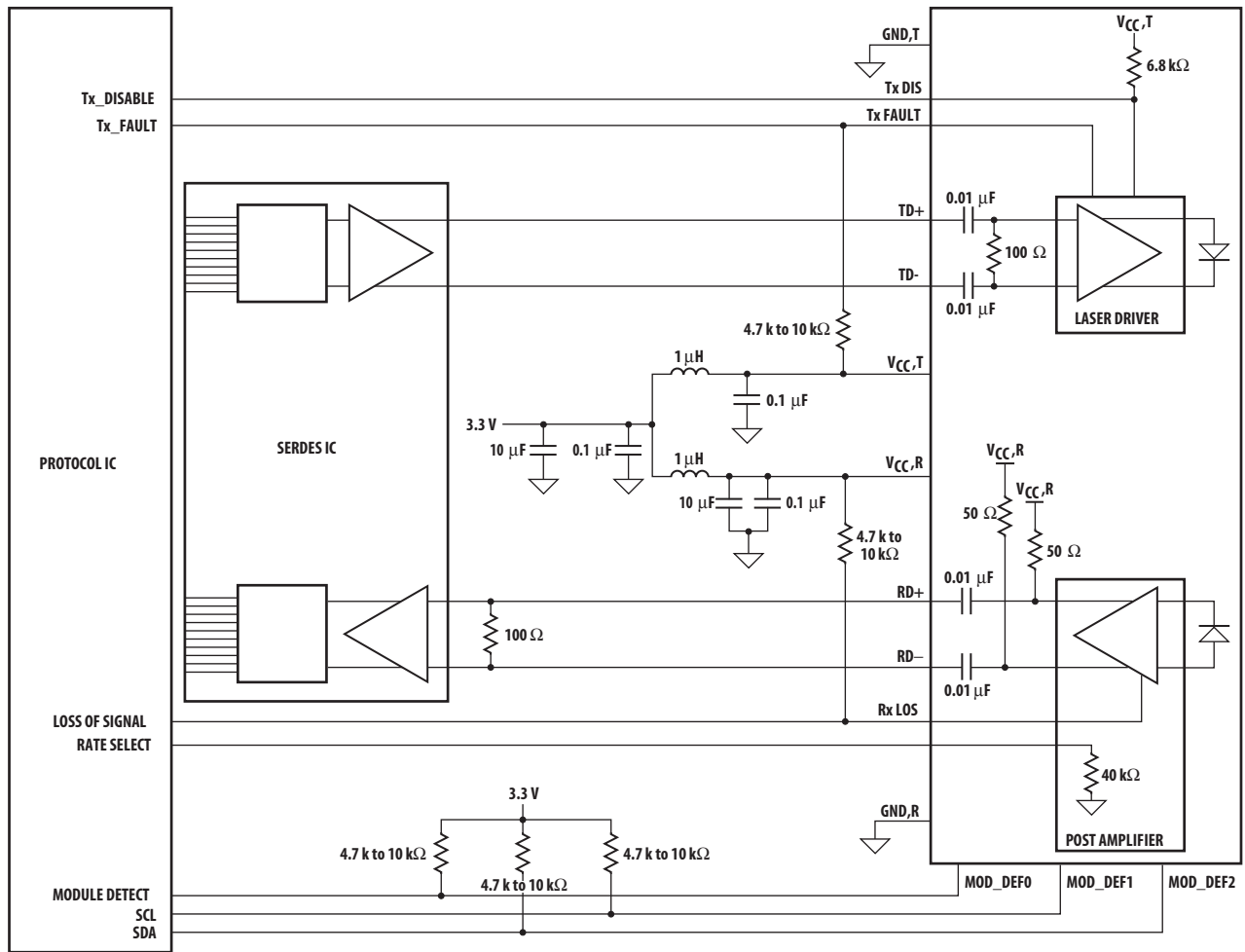
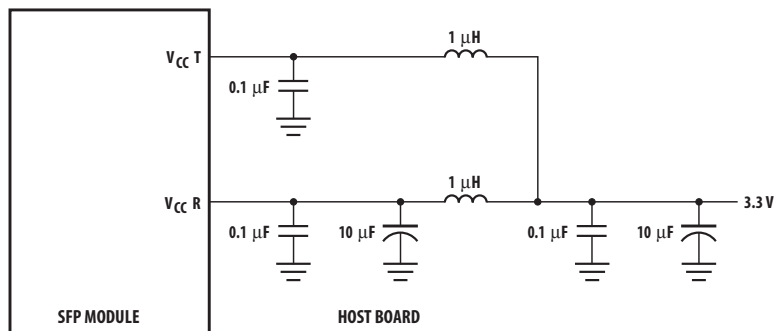


Figure 2. Typical application configuration



NOTE: INDUCTORS MUST HAVE LESS THAN 1 Ω SERIES RESISTANCE TO LIMIT VOLTAGE DROP TO THE SFP MODULE.

Figure 3. Recommended power supply filter

**Table 2. Pin Description**

| Pin | Name        | Function/Description   | Notes  |
|-----|-------------|--|--------|
| 1   | VeeT        | Transmitter Ground   |        |
| 2   | TX_FAULT    | Transmitter Fault Indication – High indicates a fault condition        | Note 1 |
| 3   | TX_DISABLE  | Transmitter Disable – Module electrical input disables on high or open | Note 2 |
| 4   | MOD-DEF2    | Module Definition 2 – Two wire serial ID interface data line (SDA)     | Note 3 |
| 5   | MOD-DEF1    | Module Definition 1 – Two wire serial ID interface clock line (SCL)    | Note 3 |
| 6   | MOD-DEF0    | Module Definition 0 – Grounded in module (module present indicator)    | Note 3 |
| 7   | Rate Select | Bit Rate Parametric Optimization                                       | Note 4 |
| 8   | RX_LOS      | Loss of Signal – High indicates loss of received optical signal        | Note 5 |
| 9   | VeeR        | Receiver Ground  |        |
| 10  | VeeR        | Receiver Ground  |        |
| 11  | VeeR        | Receiver Ground  |        |
| 12  | RD-         | Inverse Received Data Out  | Note 6 |
| 13  | RD+         | Received Data Out  | Note 6 |
| 14  | VeeR        | Receiver Ground  |        |
| 15  | VccR        | Receiver Power + 3.3 V   | Note 7 |
| 16  | VccT        | Transmitter Power + 3.3 V  | Note 7 |
| 17  | VeeT        | Transmitter Ground   |        |
| 18  | TD+         | Transmitter Data In  | Note 8 |
| 19  | TD-         | Inverse Transmitter Data In  | Note 8 |
| 20  | VeeT        | Transmitter Ground   |        |

**Notes:**

- TX\_FAULT is an open collector/drain output, which must be pulled up with a 4.7 k – 10 kΩ resistor on the host board. When high, this output indicates a laser fault of some kind. Low indicates normal operation. In the low state, the output will be pulled to < 0.8V.
- TX\_DISABLE is an input that is used to shut down the transmitter optical output. It is internally pulled up (within the transceiver) with a 6.8 kΩ resistor.  
Low (0 – 0.8V): Transmitter on  
Between (0.8V and 2.0V): Undefined  
High (2.0 – Vcc max) or OPEN: Transmitter Disabled
- The signals Mod-Def 0, 1, 2 designate the two wire serial interface pins. They must be pulled up with a 4.7 k – 10 kΩ resistor on the host board.  
Mod-Def 0 is grounded by the module to indicate the module is present  
Mod-Def 1 is serial clock line (SCL) of two wire serial interface  
Mod-Def 2 is serial data line (SDA) of two wire serial interface
- RATE\_SELECT is an input used to control transceiver compatibility for multiple rates. It is internally pulled down with a >30 kΩ resistor.  
Low (0 - 0.8 V) or OPEN: Low Bit Rate Compatibility per SFF-8074i (1.0625 Gb/s, 1.25 Gb/s and 2.125 Gb/s per SFF-8079)  
Between (0.8 V and 2.0 V) Undefined per SFF-8074i  
High (2.0 – Vcc max): (1.0625 Gb/s, 2.125 Gb/s, and 4.25 Gb/s per SFF-8079)
- RX\_LOS (Rx Loss of Signal) is an open collector/drain output that must be pulled up with a 4.7 k – 10 kΩ resistor on the host board. When high, this output indicates the received optical power is below the worst case receiver sensitivity (as defined by the standard in use). Low indicates normal operation. In the low state, the output will be pulled to < 0.8V.
- RD-/+ designate the differential receiver outputs. They are AC coupled 100Ω differential lines which should be terminated with 100Ω differential at the host SERDES input. AC coupling is done inside the transceiver and is not required on the host board. The voltage swing on these lines will be between 600 and 1600 mV differential (300 – 800 mV single ended) when properly terminated.
- VccR and VccT are the receiver and transmitter power supplies. They are defined at the SFP connector pin. The maximum supply current is 300 mA and the associated in-rush current will typically be no more than 30 mA above steady state after 2 microseconds.
- TD-/+ designate the differential transmitter inputs. They are AC coupled differential lines with 100 Ω differential termination inside the module. The AC coupling is done inside the module and is not required on the host board. The inputs will accept differential swings of 400 – 2400 mV (200 – 1200 mV single ended), though it is recommended that values between 500 and 1200 mV differential (250 – 600 mV single ended) be used for best EMI performance.

**Table 3. Absolute Maximum Ratings**

| Parameter                  | Symbol       | Minimum | Maximum        | Unit | Notes        |
|----------------------------|--------------|---------|----------------|------|--------------|
| Storage Temperature        | $T_S$        | -40     | 100            | C    | Note 1, 2    |
| Case Operating Temperature | $T_C$        | -40     | 100            | C    | Note 1, 2    |
| Relative Humidity          | RH           | 5       | 95             | %    | Note 1       |
| Supply Voltage             | $V_{CC,T,R}$ | -0.5    | 3.8            | V    | Note 1, 2, 3 |
| Low Speed Input Voltage    | $V_{IN}$     | -0.5    | $V_{CC} + 0.5$ | V    | Note 1       |

Notes:

1. Absolute Maximum Ratings are those values beyond which damage to the device may occur if these limits are exceeded for other than a short period of time. See Reliability Data Sheet for specific reliability performance.
2. Between Absolute Maximum Ratings and the Recommended Operating Conditions functional performance is not intended, device reliability is not implied, and damage to the device may occur over an extended period of time.
3. The module supply voltages,  $V_{CC,T}$  and  $V_{CC,R}$  must not differ by more than 0.5 V or damage to the device may occur.

**Table 4. Recommended Operating Conditions**

| Parameter                  | Symbol       | Minimum | Maximum | Unit | Notes     |
|----------------------------|--------------|---------|---------|------|-----------|
| Case Operating Temperature | $T_C$        | -10     | 85      | °C   | Note 1, 2 |
| Supply Voltage             | $V_{CC,T,R}$ | 2.97    | 3.63    | V    | Note 2    |
| Data Rate                  |              | 1.0625  | 4.25    | Gb/s | Note 2    |

Notes:

1. The Ambient Operating Temperature limitations are based on the Case Operating Temperature limitations and are subject to the host system thermal design.
2. Recommended Operating Conditions are those values for which functional performance and device reliability is implied.

**Table 5. Transceiver Electrical Characteristics**  
( $T_C = -10^\circ\text{C}$  to  $85^\circ\text{C}$ ,  $V_{CC,T}$ ,  $V_{CC,R} = 3.3\text{ V} \pm 10\%$ )

| Parameter   | Symbol     | Minimum | Typical | Maximum            | Unit | Notes  |
|---|------------|---------|---------|--------------------|------|--------|
| <b>AC Electrical Characteristics</b>  |            |         |         |                    |      |        |
| Power Supply Noise Rejection (peak-peak)  | PSNR       | 100     |         |                    | mV   | Note 1 |
| <b>DC Electrical Characteristics</b>  |            |         |         |                    |      |        |
| Module Supply Current   | $I_{CC}$   |         |         | 210                | mA   |        |
| Power Dissipation   | $P_{DISS}$ |         |         | 765                | mW   |        |
| Low Speed Outputs:<br>Transmit Fault (TX_FAULT), Loss of Signal<br>(RX_LOS), MOD-DEF 2            | $V_{OH}$   | 2.0     |         | $V_{CC,T,R} + 0.3$ | V    | Note 2 |
|   | $V_{OL}$   |         |         | 0.8                | V    |        |
| Low Speed Inputs:<br>Transmit Disable (TX_DIS), MOD-DEF 1,<br>MOD-DEF2, Rate Select (RATE_SELECT) | $V_{IH}$   | 2.0     |         | $V_{CC}$           | V    | Note 3 |
|   | $V_{IL}$   | 0       |         | 0.8                | V    |        |

Notes:

1. Filter per SFP specification is required on host board to remove 10 Hz to 2 MHz content.
2. Pulled up externally with a 4.7 k – 10 kΩ resistor on the host board to 3.3 V.
3. Mod-Def1, Mod-Def2 and RATE\_SELECT must be pulled up externally with a 4.7 k – 10 kΩ resistor on the host board to 3.3 V.



**Table 6. Transmitter and Receiver Electrical Characteristics**  
**( $T_C = -10^{\circ}\text{C}$  to  $85^{\circ}\text{C}$ ,  $V_{CC,T}, V_{CC,R} = 3.3\text{ V} \pm 10\%$ )**

| Parameter   | Symbol     | Minimum | Typical | Maximum      | Unit     | Notes  |
|---|------------|---------|---------|--------------|----------|--------|
| High Speed Data Input:<br>Transmitter Differential Input Voltage (TD +/-) | $V_I$      | 400     |         | 2400         | mV       | Note 1 |
| High Speed Data Output:<br>Receiver Differential Output Voltage (RD +/-)  | $V_O$      | 600     |         | 1600         | mV       | Note 2 |
| Receiver Contributed Total Jitter<br>(4.25 Gb/s)                          | TJ         |         |         | 0.26<br>62   | UI<br>ps | Note 3 |
| Receiver Contributed Total Jitter<br>(2.125 Gb/s)                         | TJ         |         |         | 0.26<br>124  | UI<br>ps | Note 3 |
| Receiver Contributed Total Jitter<br>(1.0625 Gb/s)                        | TJ         |         |         | 0.22<br>205  | UI<br>ps | Note 3 |
| Receiver Contributed Total Jitter<br>(1.25 Gb/s)                          | TJ         |         |         | 0.332<br>266 | UI<br>ps | Note 3 |
| Receiver Electrical Output Rise & Fall Times<br>(20-80%)                  | $t_r, t_f$ | 50      |         | 150          | ps       | Note 4 |

**Notes:**

1. Internally AC coupled and terminated (100 Ohm differential).
2. Internally AC coupled but requires an external load termination (100 Ohm differential).
3. Contributed DJ is measured on an oscilloscope in average mode with 50% threshold and K28.5 pattern. Contributed TJ is the sum of contributed RJ and contributed DJ. Contributed RJ is calculated for  $1 \times 10^{-12}$  BER by multiplying the RMS jitter (measured on a single rise or fall edge) from the oscilloscope by 14. Per FC-PI (Table 13 - MM jitter output, note 1), the actual contributed RJ is allowed to increase above its limit if the actual contributed DJ decreases below its limits, as long as the component output DJ and TJ remain within their specified FC-PI maximum limits with the worst case specified component jitter input.
4. 20%-80% electrical rise & fall times measured with a 500 MHz signal utilizing a 1010 data pattern.

**Table 7. Transmitter Optical Characteristics****(T<sub>C</sub> = -10°C to 85°C, V<sub>ccT</sub>, V<sub>ccR</sub> = 3.3V ±10%)**

| Parameter  | Symbol                          | Minimum | Typical | Maximum | Unit  | Notes     |
|--|---------------------------------|---------|---------|---------|-------|-----------|
| Modulated Optical Output Power (OMA)<br>(Peak-to-Peak) 4.25 Gb/s   | T <sub>x,OMA</sub>              | 247     |         |         | μW    | Note 1    |
| Modulated Optical Output Power (OMA)<br>(Peak-to-Peak) 2.125 Gb/s  | T <sub>x,OMA</sub>              | 196     |         |         | μW    | Note 2    |
| Modulated Optical Output Power (OMA)<br>(Peak-to-Peak) 1.0625 Gb/s | T <sub>x,OMA</sub>              | 156     |         |         | μW    | Note 3    |
| Optical Extinction Ratio   | ER                              | 9       |         |         | dB    | Note 4    |
| Average Optical Output Power                                       | P <sub>out</sub>                | -9.0    |         |         | dBm   | Note 5, 6 |
| Center Wavelength  | λ <sub>C</sub>                  | 830     |         | 860     | nm    |           |
| Spectral Width – rms   | σ,rms                           |         |         | 0.85    | nm    |           |
| Optical Rise/Fall Time (4.25 Gb/s)                                 | t <sub>r</sub> , t <sub>f</sub> |         |         | 90      | ps    | 20% -80%  |
| RIN <sub>12</sub> (OMA)  | RIN                             |         |         | -118    | dB/Hz |           |
| Transmitter Contributed Total Jitter<br>(4.25 Gb/s)                | TJ                              |         |         | 0.25    | UI    | Note 7    |
|  |                                 |         |         | 60      | ps    |           |
| Transmitter Contributed Total Jitter<br>(2.125 Gb/s)               | TJ                              |         |         | 0.25    | UI    | Note 7    |
|  |                                 |         |         | 120     | ps    |           |
| Transmitter Contributed Total Jitter<br>(1.0625 Gb/s)              | TJ                              |         |         | 0.27    | UI    | Note 7    |
|  |                                 |         |         | 252     | ps    |           |
| Transmitter Contributed Total Jitter<br>(1.25 Gb/s)                | TJ                              |         |         | 0.284   | UI    |           |
|  |                                 |         |         | 227     | ps    |           |
| P <sub>out</sub> TX_DISABLE Asserted                               | P <sub>OFF</sub>                |         |         | -35     | dBm   |           |

## Notes:

1. An OMA of 247 μW is approximately equal to an average power of -8 dBm, avg assuming an Extinction Ratio of 9 dB.
2. An OMA of 196 μW is approximately equal to an average power of -9 dBm, avg assuming an Extinction Ratio of 9 dB.
3. An OMA of 156 μW is approximately equal to an average power of -10 dBm, avg assuming an Extinction Ratio of 9 dB.
4. Extinction ratio of 9 dB valid when RATE\_SELECT signal is driven low.
5. Max P<sub>out</sub> is the lesser of Class 1 safety limits (CDRH and EN 60825) or receiver power, max.
6. Into 50/125 μm (0.2 NA) multi-mode optical fiber.
7. Contributed DJ is measured on an oscilloscope in average mode with 50% threshold and K28.5 pattern. Contributed TJ is the sum of contributed RJ and contributed DJ. Contributed RJ is calculated for 1x10<sup>-12</sup> BER by multiplying the RMS jitter (measured on a single rise or fall edge) from the oscilloscope by 14. Per FC-PI (Table 13 - MM jitter output, note 1), the actual contributed RJ is allowed to increase above its limit if the actual contributed DJ decreases below its limits, as long as the component output DJ and TJ remain within their specified FC-PI maximum limits with the worst case specified component jitter input.

**Table 8. Receiver Optical Characteristics****( $T_C = -10^\circ\text{C}$  to  $85^\circ\text{C}$ ,  $V_{ccT}, V_{ccR} = 3.3\text{ V} \pm 10\%$ )**

| Parameter  | Symbol      | Min.  | Typ. | Max.  | Unit                | Notes                                |
|--|-------------|-------|------|-------|---------------------|--------------------------------------|
| Input Optical Power [Overdrive]  | $P_{IN}$    |       |      | 0     | dBm, avg            |                                      |
| Input Optical Modulation Amplitude<br>(Peak-to-Peak) 4.25 Gb/s [Sensitivity]   | OMA         | 61    |      |       | $\mu\text{W}$ , OMA | Notes 1, 2                           |
| Input Optical Modulation Amplitude<br>(Peak-to-Peak) 2.125 Gb/s [Sensitivity]  | OMA         | 49    |      |       | $\mu\text{W}$ , OMA | Notes 1, 3                           |
| Input Optical Modulation Amplitude<br>(Peak-to-Peak) 1.0625 Gb/s [Sensitivity] | OMA         | 31    |      |       | $\mu\text{W}$ , OMA | Notes 1, 4                           |
| Receiver Sensitivity (Optical Input Power)                                     | PRMIN       | -17   |      |       | dBm                 |                                      |
| Stressed Receiver Sensitivity<br>(OMA) 4.25 Gb/s                               |             | 138   |      |       | $\mu\text{W}$ , OMA | 50/125 $\mu\text{m}$ fiber, Note 5   |
|  |             | 148   |      |       | $\mu\text{W}$ , OMA | 62.5/125 $\mu\text{m}$ fiber, Note 5 |
| Stressed Receiver Sensitivity<br>(OMA) 2.125 Gb/s                              |             | 96    |      |       | $\mu\text{W}$ , OMA | 50/125 $\mu\text{m}$ fiber, Note 6   |
|  |             | 109   |      |       | $\mu\text{W}$ , OMA | 62.5/125 $\mu\text{m}$ fiber, Note 6 |
| Stressed Receiver Sensitivity<br>(OMA) 1.0625 Gb/s                             |             | 55    |      |       | $\mu\text{W}$ , OMA | 50/125 $\mu\text{m}$ fiber, Note 7   |
|  |             | 67    |      |       | $\mu\text{W}$ , OMA | 62.5/125 $\mu\text{m}$ fiber, Note 7 |
| Stressed Receiver Sensitivity 1.25 Gb/s  |             | -13.5 |      |       | dBm                 | 50/125 $\mu\text{m}$ fiber           |
|  |             | -12.5 |      |       | dBm                 | 62.5/125 $\mu\text{m}$ fiber         |
| Return Loss  |             | 12    |      |       | dB                  |                                      |
| Loss of Signal – Assert  | $P_A$       |       |      | 27.5  | $\mu\text{W}$ , OMA |                                      |
|  |             |       |      | -30   | dBm, avg            | Note 8                               |
| Loss of Signal - De-Assert   | $P_D$       |       |      | 31    | $\mu\text{W}$ , OMA |                                      |
|  |             |       |      | -17.0 | dBm, avg            | Note 8                               |
| Loss of Signal Hysteresis  | $P_D - P_A$ | 0.5   |      |       | dB                  |                                      |

**Notes:**

- Input Optical Modulation Amplitude (commonly known as sensitivity) requires a valid 8B/10B encoded input.
- An OMA of 61  $\mu\text{W}$  is approximately equal to an average power of -14 dBm, avg with an Extinction Ratio of 9 dB.
- An OMA of 49  $\mu\text{W}$  is approximately equal to an average power of -15 dBm, avg with an Extinction Ratio of 9 dB.
- An OMA of 31  $\mu\text{W}$  is approximately equal to an average power of -17 dBm, avg with an Extinction Ratio of 9 dB.
- 4.25 Gb/s stressed receiver vertical eye closure penalty (ISI) min. is 1.67 dB for 50  $\mu\text{m}$  fiber and 2.14 dB for 62.5  $\mu\text{m}$  fiber. Stressed receiver DCD component min. (at TX) is 20 ps.
- 2.125 Gb/s stressed receiver vertical eye closure penalty (ISI) min. is 1.26 dB for 50  $\mu\text{m}$  fiber and 2.03 dB for 62.5  $\mu\text{m}$  fiber. Stressed receiver DCD component min. (at TX) is 40 ps.
- 1.0625 Gb/s stressed receiver vertical eye closure penalty (ISI) min. is 0.96 dB for 50  $\mu\text{m}$  fiber and 2.18 dB for 62.5  $\mu\text{m}$  fiber. Stressed receiver DCD component min. (at TX) is 80 ps.
- These average power values are specified with an Extinction Ratio of 9 dB. The loss of signal circuitry responds to valid 8B/10B encoded peak to peak input optical power, not average power.

**Table 9. Transceiver SOFT DIAGNOSTIC Timing Characteristics****(T<sub>C</sub> = -10°C to 85°C, V<sub>ccT</sub>, V<sub>ccR</sub> = 3.3 V ± 10%)**

| Parameter                                       | Symbol          | Minimum | Maximum | Unit | Notes   |
|---|-----------------|---------|---------|------|---------|
| Hardware TX_DISABLE Assert Time                 | t_off           |         | 10      | µs   | Note 1  |
| Hardware TX_DISABLE Negate Time                 | t_on            |         | 1       | ms   | Note 2  |
| Time to initialize, including reset of TX_FAULT | t_init          |         | 300     | ms   | Note 3  |
| Hardware TX_FAULT Assert Time                   | t_fault         |         | 100     | µs   | Note 4  |
| Hardware TX_DISABLE to Reset                    | t_reset         | 10      |         | µs   | Note 5  |
| Hardware RX_LOS Deassert Time                   | t_loss_on       |         | 100     | µs   | Note 6  |
| Hardware RX_LOS Assert Time                     | t_loss_off      |         | 100     | µs   | Note 7  |
| Hardware RATE_SELECT Assert Time                | t_rate_high     |         | 10      | ms   | Note 8  |
| Hardware RATE_SELECT Deassert Time              | t_rate_low      |         | 10      | ms   | Note 8  |
| Software TX_DISABLE Assert Time                 | t_off_soft      |         | 100     | ms   | Note 9  |
| Software TX_DISABLE Negate Time                 | t_on_soft       |         | 100     | ms   | Note 10 |
| Software Tx_FAULT Assert Time                   | t_fault_soft    |         | 100     | ms   | Note 11 |
| Software Rx_LOS Assert Time                     | t_loss_on_soft  |         | 100     | ms   | Note 12 |
| Software Rx_LOS Deassert Time                   | t_loss_off_soft |         | 100     | ms   | Note 13 |
| Analog parameter data ready                     | t_data          |         | 1000    | ms   | Note 14 |
| Serial bus hardware ready                       | t_serial        |         | 300     | ms   | Note 15 |
| Write Cycle Time                                | t_write         |         | 10      | ms   | Note 16 |
| Serial ID Clock Rate                            | f_serial_clock  |         | 400     | kHz  |         |

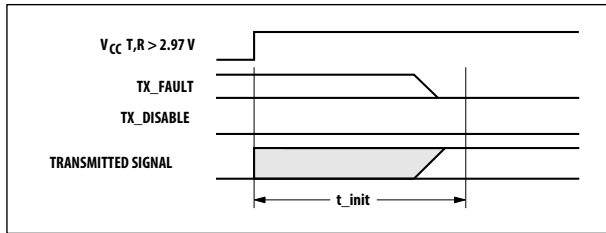
**Notes:**

1. Time from rising edge of TX\_DISABLE to when the optical output falls below 10% of nominal.
2. Time from falling edge of TX\_DISABLE to when the modulated optical output rises above 90% of nominal.
3. Time from power on or falling edge of Tx\_Disable to when the modulated optical output rises above 90% of nominal.
4. From power on or negation of TX\_FAULT using TX\_DISABLE.
5. Time TX\_DISABLE must be held high to reset the laser fault shutdown circuitry.
6. Time from loss of optical signal to Rx\_LOS Assertion.
7. Time from valid optical signal to Rx\_LOS De-Assertion.
8. Time from rising or falling edge of Rate\_Select input until transceiver is in conformance with appropriate specification.
9. Time from two-wire interface assertion of TX\_DISABLE (A2h, byte 110, bit 6) to when the optical output falls below 10% of nominal. Measured from falling clock edge after stop bit of write transaction.
10. Time from two-wire interface de-assertion of TX\_DISABLE (A2h, byte 110, bit 6) to when the modulated optical output rises above 90% of nominal.
11. Time from fault to two-wire interface TX\_FAULT (A2h, byte 110, bit 2) asserted.
12. Time for two-wire interface assertion of Rx\_LOS (A2h, byte 110, bit 1) from loss of optical signal.
13. Time for two-wire interface de-assertion of Rx\_LOS (A2h, byte 110, bit 1) from presence of valid optical signal.
14. From power on to data ready bit asserted (A2h, byte 110, bit 0). Data ready indicates analog monitoring circuitry is functional.
15. Time from power on until module is ready for data transmission over the serial bus (reads or writes over A0h and A2h).
16. Time from stop bit to completion of a 1-8 byte write command.

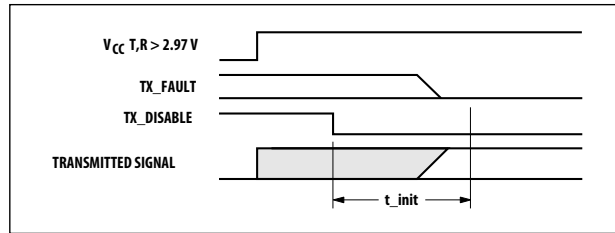
**Table 10. Transceiver Digital Diagnostic Monitor (Real Time Sense) Characteristics**

( $T_C = -10^{\circ}\text{C}$  to  $85^{\circ}\text{C}$ ,  $V_{CC T}, V_{CC R} = 3.3\text{ V} \pm 10\%$ )

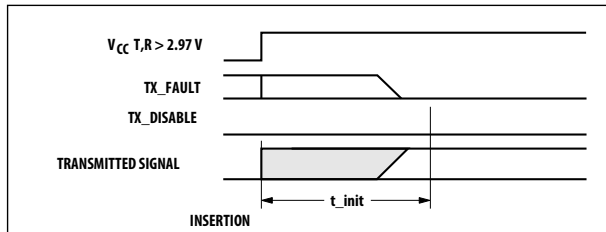
| Parameter   | Symbol    | Min.      | Units              | Notes   |
|---|-----------|-----------|--------------------|---|
| Transceiver Internal Temperature Accuracy         | $T_{INT}$ | $\pm 3.0$ | $^{\circ}\text{C}$ | Temperature is measured internal to the transceiver. Valid from $-10^{\circ}\text{C}$ to $85^{\circ}\text{C}$ case temperature.                                       |
| Transceiver Internal Supply Voltage Accuracy      | $V_{INT}$ | $\pm 0.1$ | V                  | Supply voltage is measured internal to the transceiver and can, with less accuracy, be correlated to voltage at the SFP Vcc pin. Valid over $3.3\text{ V} \pm 10\%$ . |
| Transmitter Laser DC Bias Current Accuracy        | $I_{INT}$ | $\pm 10$  | %                  | $I_{INT}$ is better than $\pm 10\%$ of the nominal value.   |
| Transmitted Average Optical Output Power Accuracy | $P_T$     | $\pm 3.0$ | dB                 | Coupled into 50/125 $\mu\text{m}$ multi-mode fiber. Valid from 100 $\mu\text{W}$ to 500 $\mu\text{W}$ , avg.  |
| Received Average Optical Input Power Accuracy     | $P_R$     | $\pm 3.0$ | dB                 | Coupled from 50/125 $\mu\text{m}$ multi-mode fiber. Valid from 31 $\mu\text{W}$ to 500 $\mu\text{W}$ , avg.   |



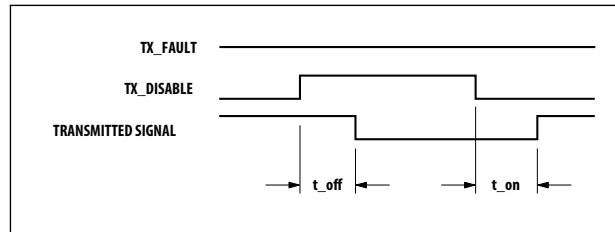
t-init: TX DISABLE NEGATED



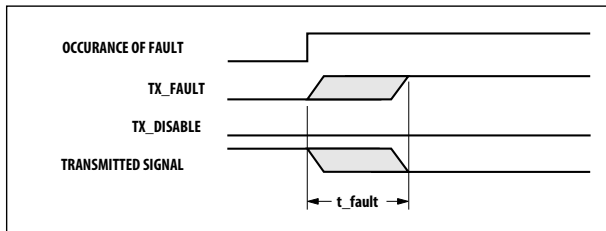
t-init: TX DISABLE ASSERTED



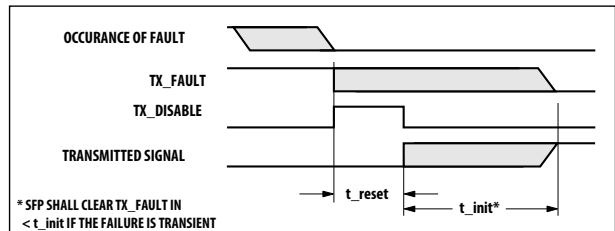
t-init: TX DISABLE NEGATED, MODULE HOT PLUGGED



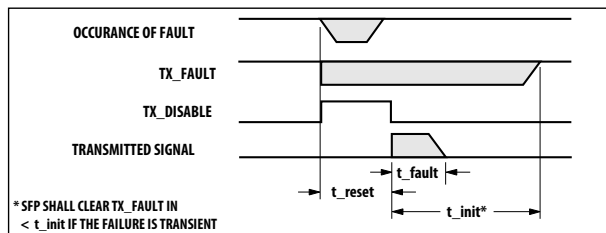
t-off & t-on: TX DISABLE ASSERTED THEN NEGATED



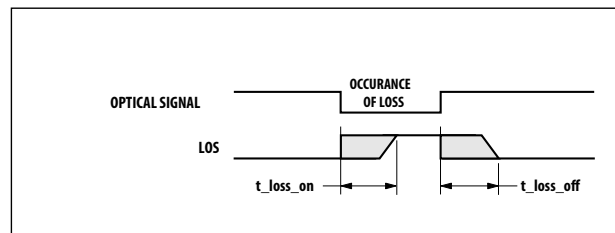
t-fault: TX FAULT ASSERTED, TX SIGNAL NOT RECOVERED



t-reset: TX DISABLE ASSERTED THEN NEGATED, TX SIGNAL RECOVERED



t-fault: TX DISABLE ASSERTED THEN NEGATED, TX SIGNAL NOT RECOVERED



t-loss-on & t-loss-off

**Figure 4. Transceiver timing diagrams (module installed except where noted)**

**Table 12. EEPROM Serial ID Memory Contents – Conventional SFP Memory (Address A0h)**

| Byte #<br>Decimal | Data<br>Hex | Notes   | Byte #<br>Decimal | Data<br>Hex | Notes   |
|-------------------|-------------|---|-------------------|-------------|---|
| 0                 | 03          | SFP physical device                                     | 37                | 00          | Hex Byte of Vendor OUI <sup>[4]</sup>                     |
| 1                 | 04          | SFP function defined by serial ID only                  | 38                | 17          | Hex Byte of Vendor OUI <sup>[4]</sup>                     |
| 2                 | 07          | LC optical connector                                    | 39                | 6A          | Hex Byte of Vendor OUI <sup>[4]</sup>                     |
| 3                 | 00          |   | 40                | 53          | "A" - Vendor Part Number ASCII character                  |
| 4                 | 00          |   | 41                | 41          | "F" - Vendor Part Number ASCII character                  |
| 5                 | 00          |   | 42                | 42          | "B" - Vendor Part Number ASCII character                  |
| 6                 | 01          | 1000Base-SX   | 43                | 52          | "R" - Vendor Part Number ASCII character                  |
| 7                 | 20          | Intermediate distance (per FC-PI)                       | 44                | 2D          | "-" - Vendor Part Number ASCII character                  |
| 8                 | 40          | Shortwave laser without OFC (open fiber control)        | 45                | 35          | "5" - Vendor Part Number ASCII character                  |
| 9                 | 0C          | Multi-mode 50 µm and 62.5 µm optical media              | 46                | 37          | "7" - Vendor Part Number ASCII character                  |
| 10                | 15          | 100, 200 & 400 Mbytes/sec FC-PI speed <sup>[1]</sup>    | 47                | 52          | "R" - Vendor Part Number ASCII character                  |
| 11                | 01          | Compatible with 8B/10B encoded data                     | 48                | 36          | "6" - Vendor Part Number ASCII character                  |
| 12                | 2B          | 4300 MBit/sec nominal bit rate (4.25 Gbit/s)            | 49                | 41          | "A" - Vendor Part Number ASCII character                  |
| 13                | 00          |   | 50                | 45          | "E" - Vendor Part Number ASCII character                  |
| 14                | 00          |   | 51                | 5A          | "Z" - Vendor Part Number ASCII character                  |
| 15                | 00          |   | 52                | 20          | " " - Vendor Part Number ASCII character                  |
| 16                | 0F          | 150 m of 50/125 µm fiber @ 4.25GBit/sec <sup>[2]</sup>  | 53                | 20          | " " - Vendor Part Number ASCII character                  |
| 17                | 07          | 70 m of 62.5/125 µm fiber @ 4.25GBit/sec <sup>[3]</sup> | 54                | 20          | " " - Vendor Part Number ASCII character                  |
| 18                | 00          |   | 55                | 20          | " " - Vendor Part Number ASCII character                  |
| 19                | 00          |   | 56                | 20          | " " - Vendor Part Number ASCII character                  |
| 20                | 41          | "A" - Vendor Name ASCII character                       | 57                | 20          | " " - Vendor Part Number ASCII character                  |
| 21                | 56          | "V" - Vendor Name ASCII character                       | 58                | 20          | " " - Vendor Part Number ASCII character                  |
| 22                | 41          | "A" - Vendor Name ASCII character                       | 59                | 20          | " " - Vendor Part Number ASCII character                  |
| 23                | 47          | "G" - Vendor Name ASCII character                       | 60                | 03          | Hex Byte of Laser Wavelength <sup>[5]</sup>               |
| 24                | 4F          | "O" - Vendor Name ASCII character                       | 61                | 52          | Hex Byte of Laser Wavelength <sup>[5]</sup>               |
| 25                | 20          | " " - Vendor Name ASCII character                       | 62                | 00          |   |
| 26                | 20          | " " - Vendor Name ASCII character                       | 63                |             | Checksum for Bytes 0-62 <sup>[6]</sup>                    |
| 27                | 20          | " " - Vendor Name ASCII character                       | 64                | 00          |   |
| 28                | 20          | " " - Vendor Name ASCII character                       | 65                | 3A          | Hardware SFP TX_DISABLE, TX_FAULT, & RX_LOS, RATE_SELECT  |
| 29                | 20          | " " - Vendor Name ASCII character                       | 66                | 00          |   |
| 30                | 20          | " " - Vendor Name ASCII character                       | 67                | 00          |   |
| 31                | 20          | " " - Vendor Name ASCII character                       | 68-83             |             | Vendor Serial Number ASCII characters <sup>[7]</sup>      |
| 32                | 20          | " " - Vendor Name ASCII character                       | 84-91             |             | Vendor Date Code ASCII characters <sup>[8]</sup>          |
| 33                | 20          | " " - Vendor Name ASCII character                       | 92                | 68          | Digital Diagnostics, Internal Cal, Rx Pwr Avg             |
| 34                | 20          | " " - Vendor Name ASCII character                       | 93                | F8          | A/W, Soft SFP TX_DISABLE, TX_FAULT, & RX_LOS, RATE_SELECT |
| 35                | 20          | " " - Vendor Name ASCII character                       | 94                | 01          | SFF-8472 Compliance to revision 9.3                       |
| 36                | 00          |   | 95                |             | Checksum for Bytes 64-94 <sup>[6]</sup>                   |
|                   |             |   | 96 - 255          | 00          |   |

**Notes:**

1. FC-PI speed 100 MBytes/sec is a serial bit rate of 1.0625 GBit/sec. 200 MBytes/sec is a serial bit rate of 2.125 GBit/sec. 400 MBytes/sec is a serial bit rate of 4.25 GBit/sec.
2. Link distance with 50/125 µm cable at 1.0625 GBit/sec is 500 m. Link distance at 2.125 GBit/sec is 300 m.
3. Link distance with 62.5/125 µm cable at 1.0625 GBit/sec is 300 m. Link distance with 62.5/125 µm cable at 2.125 GBit/sec is 150 m.
4. The IEEE Organizationally Unique Identifier (OUI) assigned to Avago Technologies is 00-17-6A (3 bytes of hex).
5. Laser wavelength is represented in 16 unsigned bits. The hex representation of 850 (nm) is 0352.
6. Addresses 63 and 95 are checksums calculated (per SFF-8472 and SFF-8074) and stored prior to product shipment.
7. Addresses 68-83 specify the AFBR-57R6AEZ ASCII serial number and will vary on a per unit basis.
8. Addresses 84-91 specify the AFBR-57R6AEZ ASCII date code and will vary on a per date code basis.

**Table 13. EEPROM Serial ID Memory Contents – Enhanced Feature Set Memory (Address A2h)**

| Byte #<br>Decimal | Notes                                | Byte #<br>Decimal | Notes   | Byte #<br>Decimal | Notes                               |
|-------------------|--------------------------------------|-------------------|---|-------------------|-------------------------------------|
| 0                 | Temp H Alarm MSB <sup>[1]</sup>      | 26                | Tx Pwr L Alarm MSB <sup>[4]</sup>             | 104               | Real Time Rx Pwr MSB <sup>[5]</sup> |
| 1                 | Temp H Alarm LSB <sup>[1]</sup>      | 27                | Tx Pwr L Alarm LSB <sup>[4]</sup>             | 105               | Real Time Rx Pwr LSB <sup>[5]</sup> |
| 2                 | Temp L Alarm MSB <sup>[1]</sup>      | 28                | Tx Pwr H Warning MSB <sup>[4]</sup>           | 106               | Reserved                            |
| 3                 | Temp L Alarm LSB <sup>[1]</sup>      | 29                | Tx Pwr H Warning LSB <sup>[4]</sup>           | 107               | Reserved                            |
| 4                 | Temp H Warning MSB <sup>[1]</sup>    | 30                | Tx Pwr L Warning MSB <sup>[4]</sup>           | 108               | Reserved                            |
| 5                 | Temp H Warning LSB <sup>[1]</sup>    | 31                | Tx Pwr L Warning LSB <sup>[4]</sup>           | 109               | Reserved                            |
| 6                 | Temp L Warning MSB <sup>[1]</sup>    | 32                | Rx Pwr H Alarm MSB <sup>[5]</sup>             | 110               | Status/Control<br>- See Table 14    |
| 7                 | Temp L Warning LSB <sup>[1]</sup>    | 33                | Rx Pwr H Alarm LSB <sup>[5]</sup>             | 111               | Reserved                            |
| 8                 | Vcc H Alarm MSB <sup>[2]</sup>       | 34                | Rx Pwr L Alarm MSB <sup>[5]</sup>             | 112               | Flag Bits - See Table 15            |
| 9                 | Vcc H Alarm LSB <sup>[2]</sup>       | 35                | Rx Pwr L Alarm LSB <sup>[5]</sup>             | 113               | Flag Bits - See Table 15            |
| 10                | Vcc L Alarm MSB <sup>[2]</sup>       | 36                | Rx Pwr H Warning MSB <sup>[5]</sup>           | 114               | Reserved                            |
| 11                | Vcc L Alarm LSB <sup>[2]</sup>       | 37                | Rx Pwr H Warning LSB <sup>[5]</sup>           | 115               | Reserved                            |
| 12                | Vcc H Warning MSB <sup>[2]</sup>     | 38                | Rx Pwr L Warning MSB <sup>[5]</sup>           | 116               | Flag Bits - See Table 15            |
| 13                | Vcc H Warning LSB <sup>[2]</sup>     | 39                | Rx Pwr L Warning LSB <sup>[5]</sup>           | 117               | Flag Bits - See Table 15            |
| 14                | Vcc L Warning MSB <sup>[2]</sup>     | 40-55             | Reserved                                      | 118-127           | Reserved                            |
| 15                | Vcc L Warning LSB <sup>[2]</sup>     | 56-94             | External Calibration Constants <sup>[6]</sup> | 128-247           | Customer Writeable                  |
| 16                | Tx Bias H Alarm MSB <sup>[3]</sup>   | 95                | Checksum for Bytes 0-94 <sup>[7]</sup>        | 248-255           | Vendor Specific                     |
| 17                | Tx Bias H Alarm LSB <sup>[3]</sup>   | 96                | Real Time Temperature MSB <sup>[1]</sup>      |                   |                                     |
| 18                | Tx Bias L Alarm MSB <sup>[3]</sup>   | 97                | Real Time Temperature LSB <sup>[1]</sup>      |                   |                                     |
| 19                | Tx Bias L Alarm LSB <sup>[3]</sup>   | 98                | Real Time Vcc MSB <sup>[2]</sup>              |                   |                                     |
| 20                | Tx Bias H Warning MSB <sup>[3]</sup> | 99                | Real Time Vcc LS <sup>[2]</sup>               |                   |                                     |
| 21                | Tx Bias H Warning LSB <sup>[3]</sup> | 100               | Real Time Tx Bias MSB <sup>[3]</sup>          |                   |                                     |
| 22                | Tx Bias L Warning MSB <sup>[3]</sup> | 101               | Real Time Tx Bias LSB <sup>[3]</sup>          |                   |                                     |
| 23                | Tx Bias L Warning LSB <sup>[3]</sup> | 102               | Real Time Tx Power MSB <sup>[4]</sup>         |                   |                                     |
| 24                | Tx Pwr H Alarm MSB <sup>[4]</sup>    | 103               | Real Time Tx Power LSB <sup>[4]</sup>         |                   |                                     |
| 25                | Tx Pwr H Alarm LSB <sup>[4]</sup>    |                   |   |                   |                                     |

**Notes:**

1. Temperature (Temp) is decoded as a 16 bit signed two's complement integer in increments of 1/256°C.
2. Supply Voltage (Vcc) is decoded as a 16 bit unsigned integer in increments of 100 µV.
3. Laser bias current (Tx Bias) is decoded as a 16 bit unsigned integer in increments of 2 µA.
4. Transmitted average optical power (Tx Pwr) is decoded as a 16 bit unsigned integer in increments of 0.1 µW.
5. Received average optical power (Rx Pwr) is decoded as a 16 bit unsigned integer in increments of 0.1 µW.
6. Bytes 56-94 are not intended for use with AFBR-57R6AEZ, but have been set to default values per SFF-8472.
7. Byte 95 is a checksum calculated (per SFF-8472) and stored prior to product shipment.

**Table 14. EEPROM Serial ID Memory Contents – Soft Commands (Address A2h, Byte 110)**

| Bit # | Status/<br>Control Name | Description   | Notes     |
|-------|-------------------------|---|-----------|
| 7     | TX_DISABLE State        | Digital state of SFP TX_DISABLE Input Pin (1 = TX_DISABLE asserted)             | Note 1    |
| 6     | Soft TX_DISABLE         | Read/write bit for changing digital state of TX_DISABLE function                | Note 1, 2 |
| 5     | Reserved                |   |           |
| 4     | Rate Select State       | Digital state of SFP Rate Select Input Pin (1 = RATE_SELECT asserted)           | Note 1, 3 |
| 3     | Soft Rate_Select        | Read/write bit for changing digital state of RATE_SELECT function               | Note 1, 3 |
| 2     | TX_FAULT State          | Digital state of the SFP TX_FAULT Output Pin (1 = TX_FAULT asserted)            | Note 1    |
| 1     | RX_LOS State            | Digital state of the SFP RX_LOS Output Pin (1 = RX_LOS asserted)                | Note 1    |
| 0     | Data Ready (Bar)        | Indicates transceiver is powered and real time sense data is ready. (0 = Ready) | Note 3    |

**Notes:**

1. The response time for soft commands of the AFBR-57R6AEZ is 100 msec as specified by the MSA SFF-8472.
2. Bit 6 is logic OR'd with the SFP TX\_DISABLE input pin 3 ... either asserted will disable the SFP transmitter.
3. AFBR-57R6AEZ is optimized for 4.25 G, 2.125 Gb/s, and 1.0625 Gb/s performance when the Rate\_Select (pin 7) is high. The AFBR-57R6AEZ is optimized for 2.125 Gb/s and 1.0625 Gb/s Fibre Channel and 1.25 Gb/s Ethernet performance when the Rate\_Select (pin 7) is low. Bit 3 is logic OR'd with the SFP RATE\_SELECT input pin 7 ... either asserted will set the SFP transceiver to high bit rate parametric performance.

**Table 15. EEPROM Serial ID Memory Contents – Alarms and Warnings (Address A2h, Bytes 112, 113, 116, 117)**

| Byte | Bit | Flag Bit Name         | Description   |
|------|-----|-----------------------|---|
| 112  | 7   | Temp High Alarm       | Set when transceiver internal temperature exceeds high alarm threshold      |
|      | 6   | Temp Low Alarm        | Set when transceiver internal temperature exceeds low alarm threshold       |
|      | 5   | Vcc High Alarm        | Set when transceiver internal supply voltage exceeds high alarm threshold   |
|      | 4   | Vcc Low Alarm         | Set when transceiver internal supply voltage exceeds low alarm threshold    |
|      | 3   | Tx Bias High Alarm    | Set when transceiver laser bias current exceeds high alarm threshold        |
|      | 2   | Tx Bias Low Alarm     | Set when transceiver laser bias current exceeds low alarm threshold         |
|      | 1   | Tx Power High Alarm   | Set when transmitted average optical power exceeds high alarm threshold     |
|      | 0   | Tx Power Low Alarm    | Set when transmitted average optical power exceeds low alarm threshold      |
| 113  | 7   | Rx Power High Alarm   | Set when received average optical power exceeds high alarm threshold        |
|      | 6   | Rx Power Low Alarm    | Set when received average optical power exceeds low alarm threshold         |
|      | 0-5 | Reserved              |   |
| 116  | 7   | Temp High Warning     | Set when transceiver internal temperature exceeds high warning threshold    |
|      | 6   | Temp Low Warning      | Set when transceiver internal temperature exceeds low warning threshold     |
|      | 5   | Vcc High Warning      | Set when transceiver internal supply voltage exceeds high warning threshold |
|      | 4   | Vcc Low Warning       | Set when transceiver internal supply voltage exceeds low warning threshold  |
|      | 3   | Tx Bias High Warning  | Set when transceiver laser bias current exceeds high warning threshold      |
|      | 2   | Tx Bias Low Warning   | Set when transceiver laser bias current exceeds low warning threshold       |
|      | 1   | Tx Power High Warning | Set when transmitted average optical power exceeds high warning threshold   |
|      | 0   | Tx Power Low Warning  | Set when transmitted average optical power exceeds low warning threshold    |
| 117  | 7   | Rx Power High Warning | Set when received average optical power exceeds high warning threshold      |
|      | 6   | Rx Power Low Warning  | Set when received average optical power exceeds low warning threshold       |
|      | 0-5 | Reserved              |   |



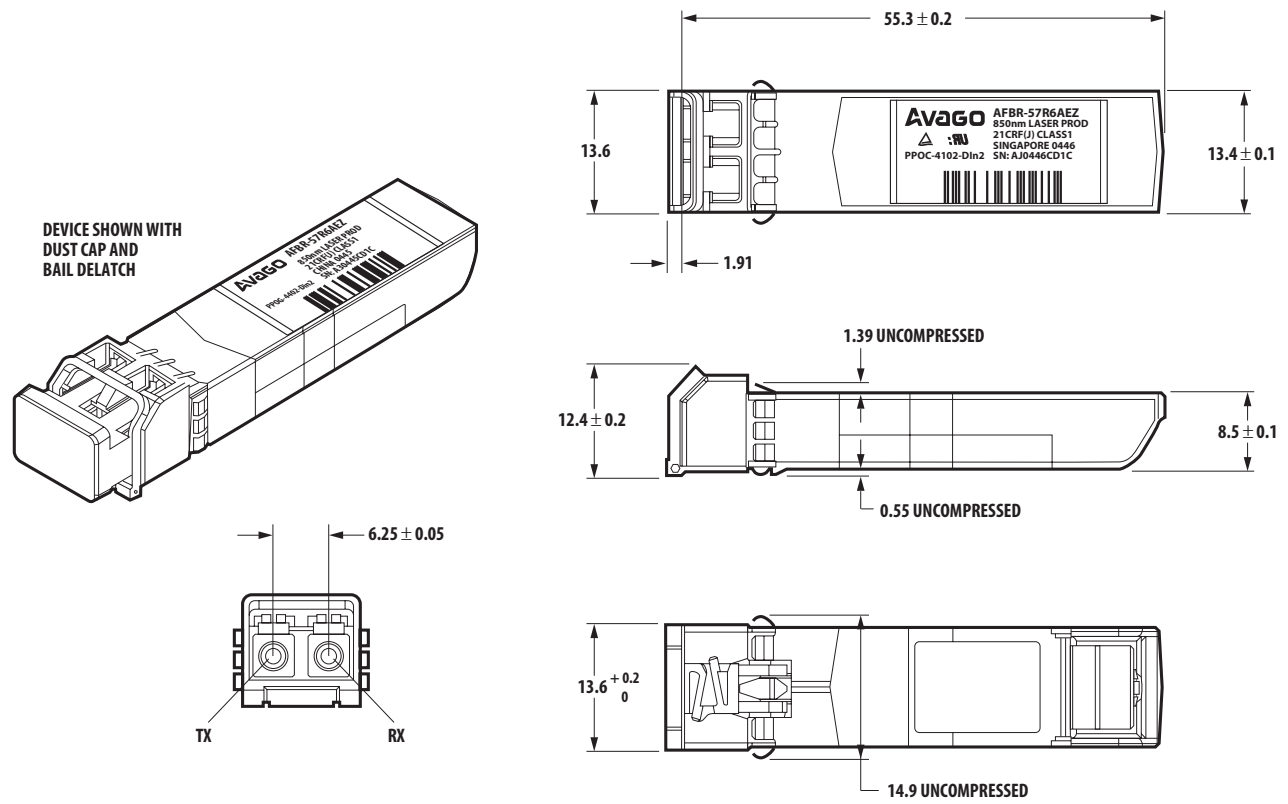


Figure 5. Module drawing

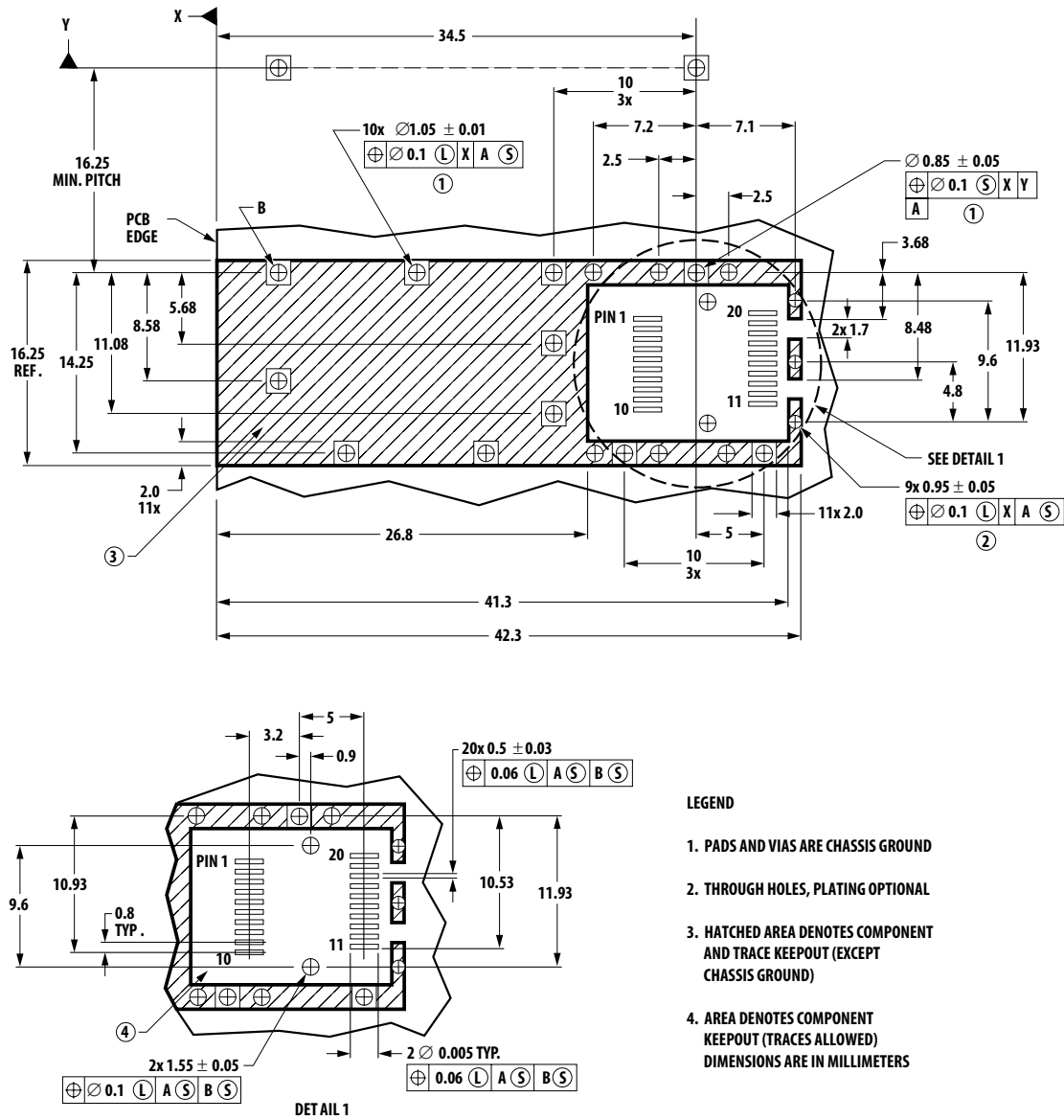


Figure 6. SFP host board mechanical layout

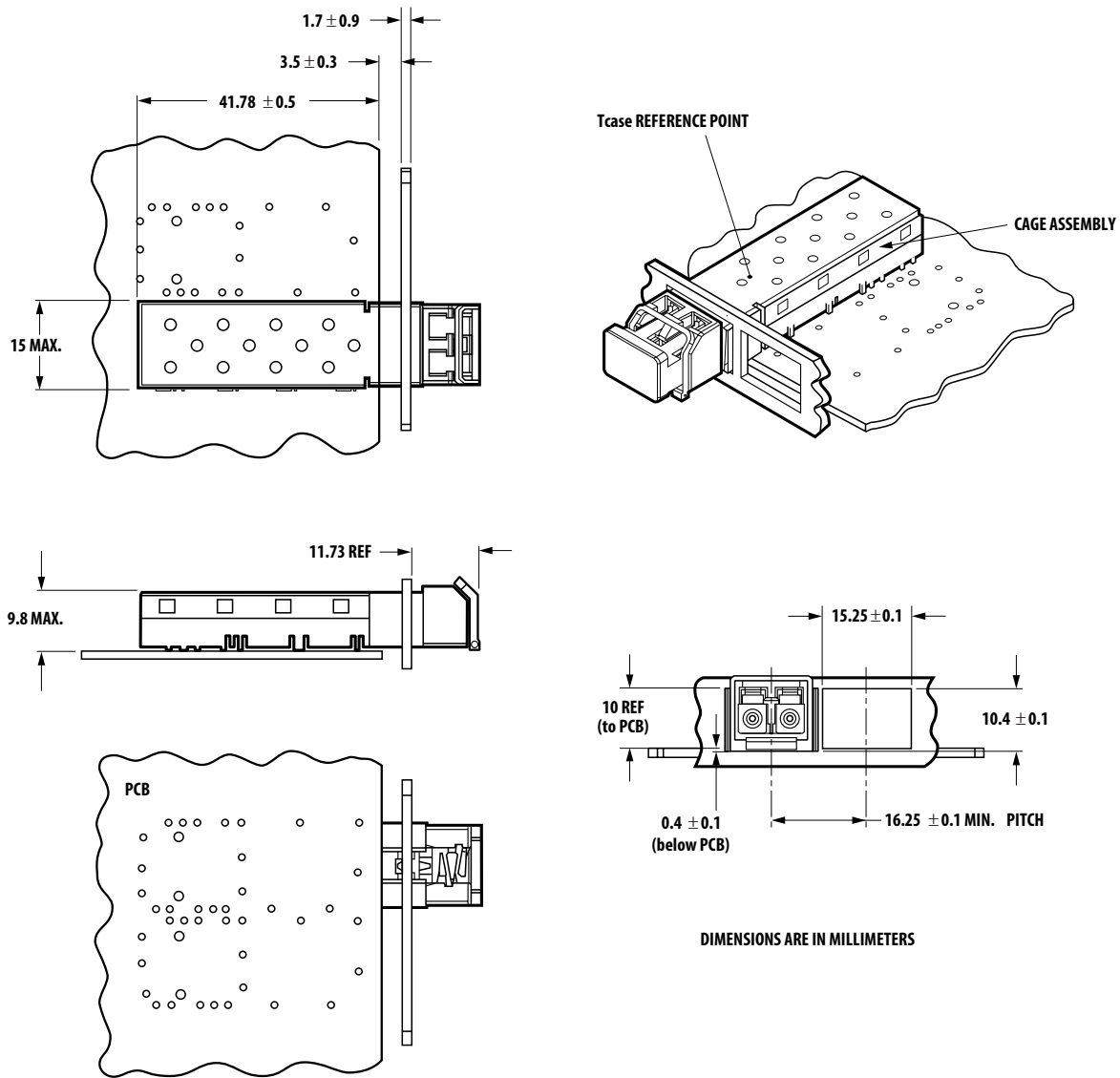


Figure 7. SFP Assembly drawing

### Customer Manufacturing Processes

This module is pluggable and is not designed for aqueous wash, IR reflow, or wave soldering processes.

For product information and a complete list of distributors, please go to our website: [www.avagotech.com](http://www.avagotech.com)

Avago, Avago Technologies, and the A logo are trademarks of Avago Technologies in the United States and other countries. Data subject to change. Copyright © 2005–2013 Avago Technologies. All rights reserved. Obsoletes AV01-0385EN AV02-2797EN - January 28, 2013



## X-ON Electronics

Largest Supplier of Electrical and Electronic Components

*Click to view similar products for [broadcom](#) manufacturer:*

Other Similar products are found below :

[MGA-634P8-TR1G](#) [BCM54616C0IFBG](#) [AFBR-390550RZ](#) [PEX9749-AARDK](#) [HEDS-8904](#) [ASSR-1218](#) [ASMT-JR10-ARS01](#)  
[BCM5720A0KFBG](#) [BCM54220SB0KQLEG](#) [HEDL-5640#A13](#) [HFBR-2406Z](#) [HCPL-5430](#) [HCPL-5731](#) [HCPL-M601-000E](#) [HFBR-5911LZ](#)  
[HCPL-0720](#) [BCM5482SHEA2KFBG](#) [HLMP-EG24-PS000](#) [PEX8750-AB RDK](#) [BCM53405A0KFSBG](#) [AFBR-S20M2WV](#) [A25E-0030](#) [LP16-](#)  
[LW-OPT-2](#) [AFBR-HUS500Z](#) [ACPL-054L-500E](#) [ALMD-EG3D-WY002](#) [AFBR-S20W2UV](#) [AFBR-S20W2VI](#) [AFBR-S20W2NI](#) [HDSP-2113](#)  
[HDSP-815E](#) [BCM54618SEA2IFBG](#) [BCM8727MCIFBG](#) [HSMS-8209-BLKG](#) [5962-8876903FC](#) [HCNW4506-000E](#) [HEDS-8949](#)  
[BCM53402A0IFSBB](#) [05-25704-00](#) [AFBR-S20M2UV](#) [AFBR-S20M2NI](#) [L5-00219-00](#) [HCPL-6231](#) [QCPL-7847-500E](#) [PEX-CABLEAD-KIT-](#)  
[8732](#) [HDSP-0762](#) [BCM5482SHA2IFBG](#) [AFBR-5905Z](#) [ACPL-827-30CE](#) [HCPL-3760-000E](#)