

### Data Sheet



Lead (Pb) Free  
RoHS 6 fully compliant

RoHS 6 fully compliant options available;  
-xxxE denotes a lead-free product

#### Description

Avago's Isolation Amplifier with Short Circuit and Overload Detection makes motor phase current sensing compact, affordable and easy-to-implement while satisfying worldwide safety and regulatory requirements.

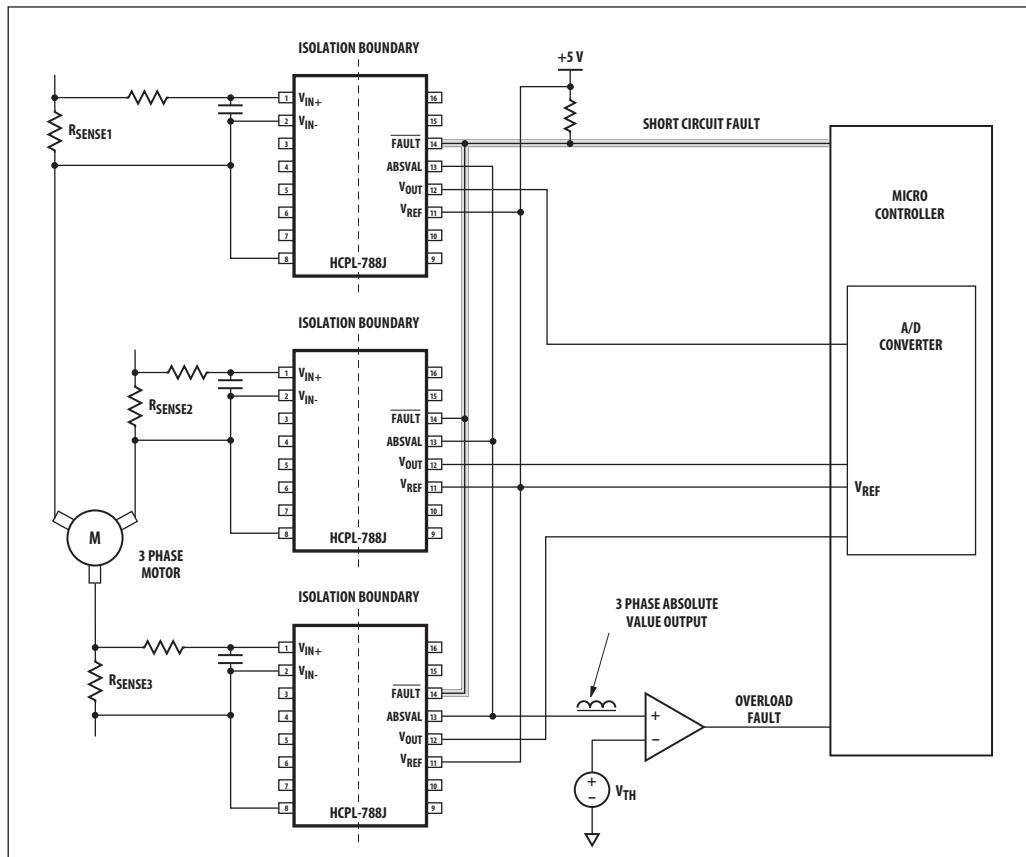
#### Applications

- Motor phase and rail current sensing
- Power inverter current and voltage sensing
- Industrial process control
- Data acquisition systems
- General purpose current and voltage sensing
- Traditional current transducer replacements

#### Features

- Output Voltage Directly Compatible with A/D Converters (0 V to  $V_{REF}$ )
- Fast (3  $\mu$ s) Short Circuit Detection with Transient Fault Rejection
- Absolute Value Signal Output for Overload Detection
- 1  $\mu$ V/ $^{\circ}$ C Offset Change vs. Temperature
- SO-16 Package
- -40  $^{\circ}$ C to +85  $^{\circ}$ C Operating Temperature Range
- 25 kV/ $\mu$ s Isolation Transient Immunity
- Regulatory Approvals: UL, CSA, IEC/EN/DIN EN 60747-5-5 (1414 V<sub>peak</sub> Working Voltage)

#### Low Cost Three Phase Current Sensing with Short Circuit and Overload Detection



**CAUTION:** It is advised that normal static precautions be taken in handling and assembly of this component to prevent damage and/or degradation which may be induced by ESD. The components featured in this datasheet are not to be used in military or aerospace applications or environments.

## Description

The HCPL-788J isolation amplifier is designed for current sensing in electronic motor drives. In a typical implementation, motor currents flow through an external resistor and the resulting analog voltage drop is sensed by the HCPL-788J. A larger analog output voltage is created on the other side of the HCPL-788J's optical isolation barrier. The output voltage is proportional to the motor current and can be connected directly to a single-supply A/D converter. A digital over-range output ( $\overline{\text{FAULT}}$ ) and an analog rectified output (ABSVAL) are also

provided. The wire OR-able over-range output ( $\overline{\text{FAULT}}$ ) is useful for quick detection of short circuit conditions on any of the motor phases. The wire-OR-able rectified output (ABSVAL), simplifies measurement of motor load since it performs polyphase rectification. Since the common-mode voltage swings several hundred volts in tens of nanoseconds in modern electronic motor drives, the HCPL-788J was designed to ignore very high common-mode transient slew rates (10 kV/ $\mu\text{s}$ ).

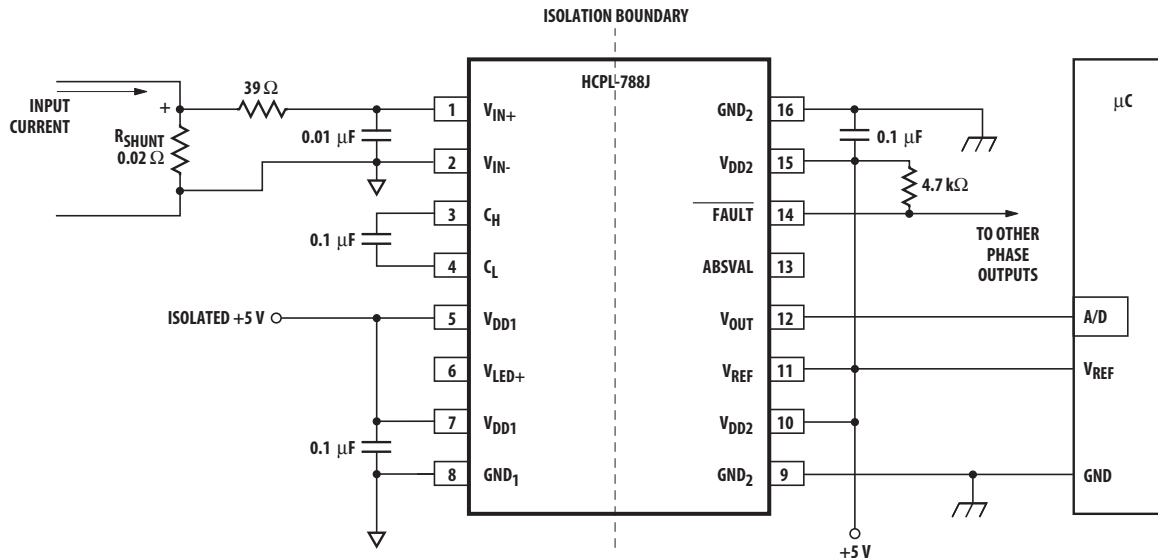


Figure 1. Current sensing circuit

## Pin Descriptions

Symbol	Description
$V_{IN+}$	Positive input voltage ( $\pm 200$ mV recommended).
$V_{IN-}$	Negative input voltage (normally connected to $GND_1$ ).
$C_H$ $C_L$	Internal Bias Node. Connections to or between $C_H$ and $C_L$ other than the required $0.1 \mu\text{F}$ capacitor shown, are not recommended.
$V_{DD1}$	Supply voltage input (4.5 V to 5.5 V).
$V_{LED+}$	LED anode. This pin must be left unconnected for guaranteed data sheet performance. (For optical coupling testing only.)
$V_{DD1}$	Supply voltage input (4.5 V to 5.5 V).
$GND_1$	Ground input.
$GND_2$	Ground input.
$V_{DD2}$	Supply voltage input (4.5 V to 5.5 V).

Symbol	Description
$\overline{\text{FAULT}}$	Short circuit fault output. $\overline{\text{FAULT}}$ changes from a high to low output voltage within $6 \mu\text{s}$ after $V_{IN}$ exceeds the $\overline{\text{FAULT}}$ Detection Threshold. $\overline{\text{FAULT}}$ is an open drain output that allows outputs from all the HCPL-788Js in a circuit to be connected together ("wired-OR") forming a single fault signal for interfacing directly to the microcontroller.
ABSVAL	Absolute value of $V_{OUT}$ output. ABSVAL is 0 V when $V_{IN}=0$ and increases toward $V_{REF}$ as $V_{IN}$ approaches +256 mV or -256 mV. ABSVAL is "wired-OR" able and is used for detecting overloads.
$V_{OUT}$	Voltage output. Swings from 0 to $V_{REF}$ . The nominal gain is $V_{REF}/504$ mV.
$V_{REF}$	Reference voltage input (4.0 V to $V_{DD2}$ ). This voltage establishes the full scale output ranges and gains of $V_{OUT}$ and ABSVAL.
$V_{DD2}$	Supply voltage input (4.5 V to 5.5 V).
$GND_2$	Ground input.

## Ordering Information

HCPL-788J is UL Recognized with 5000 Vrms for 1 minute per UL1577.

Part Number	Option		Package	Surface Mount	Tape & Reel	IEC/EN/DIN EN 60747-5-5	Quantity
	RoHS Compliant	non RoHS Compliant					
HCPL-788J	-000E	no option	SO-16	X		X	45 per tube
	-500E	#500		X	X	X	850 per reel

To order, choose a part number from the part number column and combine with the desired option from the option column to form an order entry.

Example 1:

HCPL-788J-500E to order product of 16-Lead Surface Mount package in Tape and Reel packaging with IEC/EN/DIN EN 60747-5-5 Safety Approval and RoHS compliant.

Example 2:

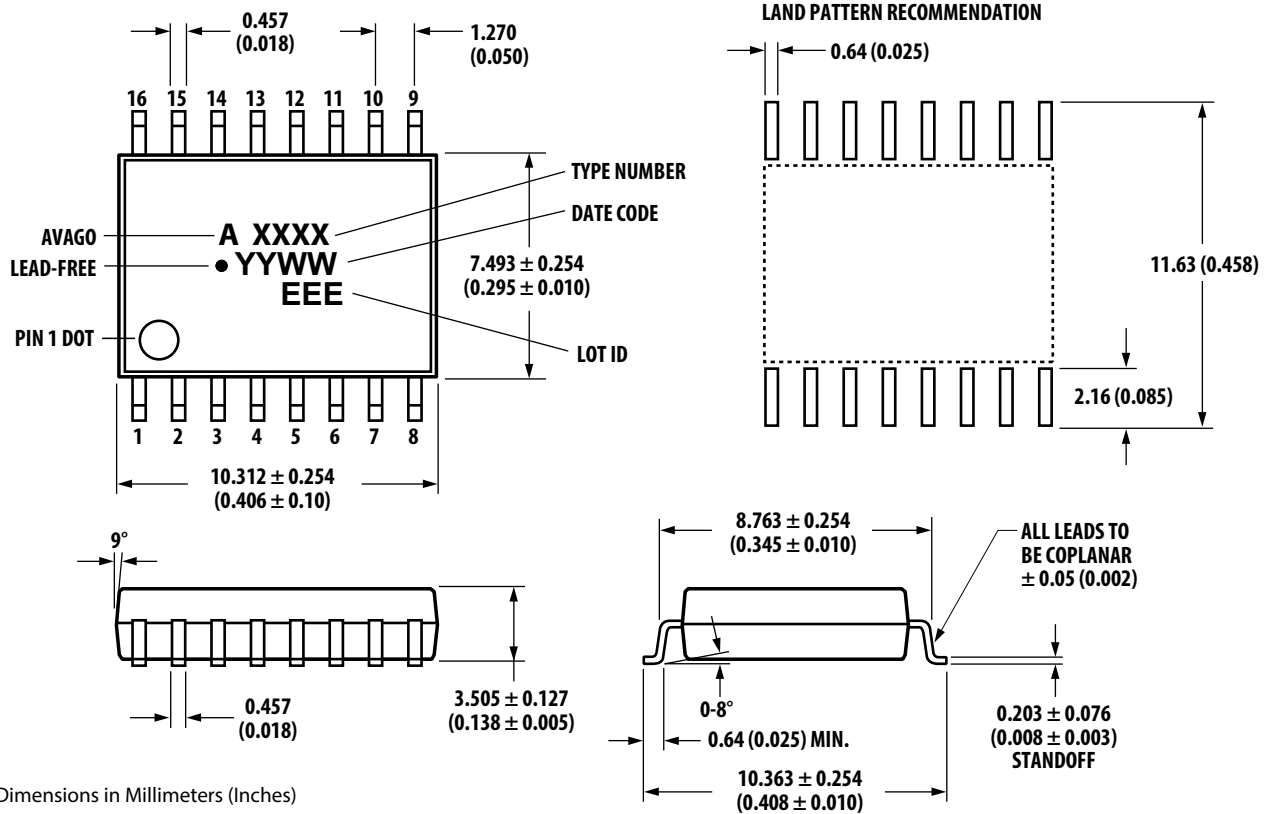
HCPL-788J to order product of 16-Lead Surface Mount package in Tube packaging and non RoHS compliant.

Option datasheets are available. Contact your Avago sales representative or authorized distributor for information.

Remarks: The notation '#XXX' is used for existing products, while (new) products launched since July 15, 2001 and RoHS compliant will use '-XXXE'.

## Package Outline Drawings

### 16-Lead Surface Mount



## Recommended Pb-Free IR Profile

Recommended reflow condition as per JEDEC Standard, J-STD-020 (latest revision). Non-Halide Flux should be used.

## Regulatory Information

The HCPL-788J has been approved by the following organizations:

<b>IEC/EN/DIN EN 60747-5-5</b>	Approval under: DIN EN 60747-5-5 (VDE 0884-5):2011-11 EN 60747-5-5:2011
<b>UL</b>	Approval under UL 1577, component recognition program up to $V_{ISO} = 5000 V_{RMS}$ . File E55361.
<b>CSA</b>	Approval under CSA Component Acceptance Notice #5, File CA 88324.

## IEC/EN/DIN EN 60747-5-5 Insulation Characteristics\*

Description	Symbol	Characteristic	Unit
Installation classification per DIN VDE 0110/1.89, Table 1 for rated mains voltage $\leq 300 V_{rms}$ for rated mains voltage $\leq 600 V_{rms}$ for rated mains voltage $\leq 1000 V_{rms}$		I-IV I-IV I-III	
Climatic Classification		55/85/21	
Pollution Degree (DIN VDE 0110/1.89)		2	
Maximum Working Insulation Voltage	$V_{IORM}$	1414	$V_{PEAK}$
Input to Output Test Voltage, Method b** $V_{IORM} \times 1.875 = V_{PR}$ , 100% Production Test with $t_m = 1$ sec, Partial discharge $< 5$ pC	$V_{PR}$	2652	$V_{PEAK}$
Input to Output Test Voltage, Method a** $V_{IORM} \times 1.6 = V_{PR}$ , Type and Sample Test, $t_m = 10$ sec, Partial discharge $< 5$ pC	$V_{PR}$	2262	$V_{PEAK}$
Highest Allowable Overvoltage (Transient Overvoltage $t_{ini} = 60$ sec)	$V_{IOTM}$	8000	$V_{PEAK}$
Safety-limiting values — maximum values allowed in the event of a failure, also see Figure 2.			
Case Temperature	$T_S$	175	$^{\circ}C$
Input Power	$P_{S1, INPUT}$	400	mW
Output Power	$P_{S1, OUTPUT}$	600	mW
Insulation Resistance at $T_{SI}, V_{IO} = 500$ V	$R_S$	$>10^9$	$\Omega$

\* Isolation characteristics are guaranteed only within the safety maximum ratings which must be ensured by protective circuits within the application. Surface Mount Classification is class A in accordance with CECC00802.

\*\* Refer to IEC/EN/DIN EN 60747-5-5 Optoisolator Safety Standard section of the Avago Regulatory Guide to Isolation Circuits, AV02-2041EN for a detailed description of Method a and Method b partial discharge test profiles.

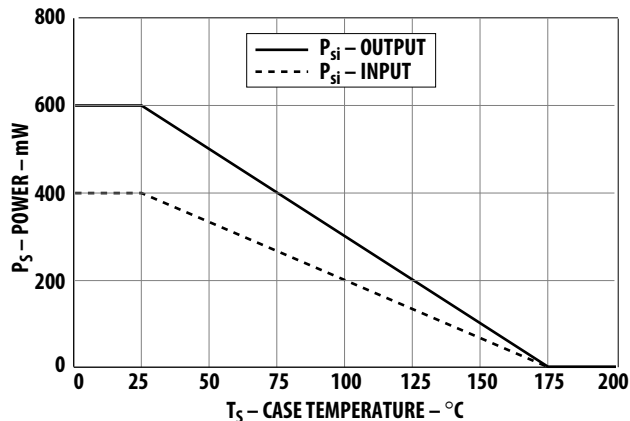


Figure 2. Dependence of safety-limiting values on temperature.

## Package Characteristics

Parameter	Symbol	Min.	Typ.	Max.	Units	Test Conditions	Fig.	Notes
Input-Output Momentary Withstand Voltage	$V_{ISO}$	5000			$V_{rms}$	RH < 50%, t = 1 min., $T_A = 25\text{ }^\circ\text{C}$		1,2,3
Resistance (Input-Output)	$R_{I-O}$		>10 <sup>9</sup>		$\Omega$	$V_{I-O} = 500 V_{DC}$		3
Capacitance (Input-Output)	$C_{I-O}$		1.3		pF	f = 1 MHz		3
Input IC Junction-to-Case Thermal Resistance	$\theta_{jci}$		120		$^\circ\text{C/W}$	$T_A = 85\text{ }^\circ\text{C}$		
Output IC Junction-to-Case Thermal Resistance	$\theta_{jco}$		100		$^\circ\text{C/W}$	$T_A = 85\text{ }^\circ\text{C}$		

## Insulation and Safety Related Specifications

Parameter	Symbol	Min.	Max.	Conditions
Minimum External Air Gap (Clearance)	L(101)	8.3	mm	Measured from input terminals to output terminals, shortest distance through air.
Minimum External Tracking (Creepage)	L(102)	8.3	mm	Measured from input terminals to output terminals, shortest distance path along body.
Minimum Internal Plastic Gap		0.5	mm	Through insulation distance conductor to conductor, usually the straight line distance thickness between the emitter and detector.
Tracking Resistance	CTI	>175	V	DIN IEC 112/VDE 0303 Part 1 Comparative Tracking Index)
Isolation Group		IIIa		Material Group (DIN VDE 0110, 1/89, Table 1)

## Absolute Maximum Ratings

Parameter	Symbol	Min.	Max.	Units	Note
Storage Temperature	$T_S$	-55	125	$^\circ\text{C}$	
Operating Temperature	$T_A$	-40	105	$^\circ\text{C}$	
Supply Voltages	$V_{DD1}, V_{DD2}$	0.0	5.5	V	4
Steady-State Input Voltage	$V_{IN+}, V_{IN-}$	-2.0	$V_{DD1} + 0.5$	V	
2 Second Transient Input Voltage	$V_{IN+}, V_{IN-}$	-6.0	$V_{DD1} + 0.5$	V	
Output Voltage	$V_{OUT}$	-0.5	$V_{DD2} + 0.5$	V	
Absolute Value Output Voltage	ABSVAL	-0.5	$V_{DD2} + 0.5$	V	
Reference Input Voltage	$V_{REF}$	0	$V_{DD2} + 0.5\text{ V}$	V	5
Reference Input Current	$I_{REF}$		20	mA	
Output Current	$I_{VOUT}$		20	mA	
Absolute Value Current	$I_{ABSVAL}$		20	mA	
$\overline{\text{FAULT}}$ Output Current	$I_{\overline{\text{FAULT}}}$		20	mA	
Input IC Power Dissipation	$P_I$		200	mW	
Output IC Power Dissipation	$P_O$		200	mW	

## Recommended Operating Conditions

Parameter	Symbol	Min.	Max.	Units	Note
Ambient Operating Temperature	$T_A$	-40	85	$^\circ\text{C}$	
Supply Voltages	$V_{DD1}, V_{DD2}$	4.5	5.5	V	
Input Voltage (accurate and linear)	$V_{IN+}, V_{IN-}$	-200	200	mV	
Input Voltage (functional)	$V_{IN+}, V_{IN-}$	-2	2	V	
Reference Input Voltage	$V_{REF}$	4.0	$V_{DD2}$	V	
$\overline{\text{FAULT}}$ Output Current	$I_{\overline{\text{FAULT}}}$		4	mA	

## DC Electrical Specifications

Unless otherwise noted, all typicals and figures are at the nominal operating conditions of  $V_{IN+} = 0$ ,  $V_{IN-} = 0$  V,  $V_{REF} = 4.0$  V,  $V_{DD1} = V_{DD2} = 5$  V and  $T_A = 25^\circ\text{C}$ ; all Minimum/Maximum specifications are within the Recommended Operating Conditions.

Parameter	Symbol	Min.	Typ.	Max.	Units	Test Conditions	Fig.	Note
Input Offset Voltage	$V_{OS}$	-3	0	3	mV	$V_{IN+} = 0$ V, $T_A = -40^\circ\text{C}$ to $+85^\circ\text{C}$	3, 4, 5	6
Magnitude of Input Offset Change vs. Temperature	$ \Delta V_{OS}/\Delta T_A $		1	10	$\mu\text{V}/^\circ\text{C}$	$V_{IN+} = 0$ V, $T_A = -40^\circ\text{C}$ to $+85^\circ\text{C}$		7
$V_{OUT}$ Gain	G	$V_{REF}/504$ mV - 3%	$V_{REF}/504$ mV	$V_{REF}/504$ mV + 3%	V/V	$ V_{IN+}  < 200$ mV, $T_A = 25^\circ\text{C}$	6, 7, 8, 9	
$V_{OUT}$ Gain	G	$V_{REF}/504$ mV - 5%	$V_{REF}/504$ mV	$V_{REF}/504$ mV + 5%	V/V	$ V_{IN+}  < 200$ mV, $T_A = -40^\circ\text{C}$ to $+85^\circ\text{C}$	6, 7, 8, 9	
Magnitude of $V_{OUT}$ Gain Change vs. Temperature	$ \Delta G/\Delta T_A $		50	300	ppm/ $^\circ\text{C}$	$ V_{IN+}  < 200$ mV, $T_A = -40^\circ\text{C}$ to $+85^\circ\text{C}$	6, 7, 8, 9	8
$V_{OUT}$ 200 mV Nonlinearity	NL <sub>200</sub>		0.06	0.4	%	$ V_{IN+}  < 200$ mV, $T_A = -40^\circ\text{C}$ to $+85^\circ\text{C}$	6, 7, 8, 9	
Maximum Input Voltage Before $V_{OUT}$ Clipping	$ V_{IN+} _{MAX}$		256		mV			
FAULT Detection Threshold	$ V_{THF} $	230	256	280	mV		10	9
FAULT Low Output Voltage	$V_{OLF}$		350	800	mV	$I_{OL} = 4$ mA		
FAULT High Output Current	$I_{OHF}$		0.2	15	$\mu\text{A}$	$V_{FAULT} = V_{DD2}$		
ABSVAL Output Error	$e_{ABS}$		0.6	2	% of full scale output		11	10
Input Supply Current	$I_{DD1}$		10.7	20	mA			
Output Supply Current	$I_{DD2}$		10.4	20	mA			
Reference Voltage Input Current	$I_{VREF}$		0.26	1	mA			
Input Current	$I_{IN+}$		-350		nA	$V_{IN+} = 0$ V		
Input Resistance	$R_{IN}$		800		k $\Omega$	$V_{IN+} = 0$ V		
$V_{OUT}$ Output Resistance	$R_{OUT}$		0.2		$\Omega$			
ABSVAL Output Resistance	$R_{ABS}$		0.3		$\Omega$			
Input DC Common-Mode Rejection Ratio	CMRR <sub>IN</sub>		85		dB			11

## AC Electrical Specifications

Unless otherwise noted, all typicals and figures are at the nominal operating conditions of  $V_{IN+} = 0$ ,  $V_{IN-} = 0$  V,  $V_{REF} = 4.0$  V,  $V_{DD1} = V_{DD2} = 5$  V and  $T_A = 25$  °C; all Minimum/Maximum specifications are within the Recommended Operating Conditions.

Parameter	Symbol	Min.	Typ.	Max.	Units	Test Conditions	Fig.	Note
$V_{OUT}$ Bandwidth (-3 dB)	BW	20	30		kHz	$V_{IN+} = 200$ mV <sub>pk-pk</sub> sine wave	12, 20	
$V_{OUT}$ Noise	$N_{OUT}$		2.2	4	mV <sub>rms</sub>	$V_{IN+} = 0$ V	20	12
$V_{IN}$ to $V_{OUT}$ Signal Delay (50 - 50%)	$t_{DSIG}$		9	20	μs	$V_{IN+} = 50$ mV to 200 mV step	14, 20	13
$V_{OUT}$ Rise/Fall Time (10–90)	$t_{RFSIG}$		10	25	μs	$V_{IN+} = 50$ mV to 200 mV step	14, 20	
ABSVAL Signal Delay	$t_{DABS}$		9	20	μs	$V_{IN+} = 50$ mV to 200 mV step	14, 20	
ABSVAL Rise/Fall Time (10–90%)	$t_{RFABS}$		10	25	μs	$V_{IN+} = 50$ mV to 200 mV step	14, 20	
$\overline{\text{FAULT}}$ Detection Delay	$t_{FHL}$		3	6	μs	$V_{IN+} = 0$ mV to ±500 mV step.	15, 20	14
$\overline{\text{FAULT}}$ Release Delay	$t_{FLH}$	10	20		μs	$V_{IN+} = \pm 500$ mV to 0 mV step	16, 20	15
Transient Fault Rejection	$t_{REJECT}$	1	2		μs	$V_{IN+} = 0$ mV to ±500 mV pulse	17, 20	16
Common Mode Transient Immunity	CMTI	10	25		kV/μs	For $V_{OUT}$ , $\overline{\text{FAULT}}$ , and ABSVAL outputs		17
Common-Mode Rejection Ratio at 60 Hz	CMRR		>140		dB			18

**Notes:**

1. In accordance with UL1577, each optocoupler is proof tested by applying an insulation test voltage  $\geq 600$  Vrms for 1 second. This test is performed before the 100% production test for partial discharge (method b) shown in IEC/EN/DIN EN 60747-5-5 Insulation Characteristic Table, if applicable.
2. The Input-Output Momentary Withstand Voltage is a dielectric voltage rating that should not be interpreted as an input-output continuous voltage rating. For the continuous voltage rating refer to your equipment level safety specification or IEC/EN/DIN EN 60747-5-5 insulation characteristics table.
3. Device considered a two terminal device: pins 1-8 shorted together and pins 9-16 shorted together.
4.  $V_{DD1}$  must be applied to both pins 5 and 7.  $V_{DD2}$  must be applied to both pins 10 and 15.
5. If  $V_{REF}$  exceeds  $V_{DD2}$  (due to power-up sequence, for example), the current into pin 11 ( $I_{REF}$ ) should be limited to 20 mA or less.
6. Input Offset voltage is defined as the DC Input voltage required to obtain an output voltage (at pin 12) of  $V_{REF}/2$ .
7. This is the Absolute Value of Input Offset Change vs. Temperature.
8. This is the Absolute Value of  $V_{OUT}$  Gain Change vs. Temperature.
9.  $|V_{IN+}|$  must exceed this amount in order for the  $\overline{\text{FAULT}}$  output to be activated.
10. ABSVAL is derived from  $V_{OUT}$  (which has the gain and offset tolerances stated earlier). ABSVAL is 0 V when  $V_{IN} = 0$  V and increases toward  $V_{REF}$  as  $V_{IN}$  approaches +256 mV or -256 mV.  $\epsilon_{ABS}$  is the difference between the actual ABSVAL output and what ABSVAL should be, given the value of  $V_{OUT}$ .  $\epsilon_{ABS}$  is expressed in terms of percent of full scale and is defined as:

$$\frac{|\text{ABSVAL} - 2 \times |V_{OUT} - V_{REF}/2||}{V_{REF}} \times 100.$$

11.  $\text{CMRR}_{IN}$  is defined as the ratio of the gain for differential inputs applied between pins 1 and 2 to the gain for common mode inputs applied to both pins 1 and 2 with respect to pin 8.
12. The signal-to-noise ratio of the HCPL-788J can be improved with the addition of an external low pass filter to the output. See Frequently Asked Question #4.2 in the Applications Information Section at the end of this data sheet.
13. As measured from 50% of  $V_{IN}$  to 50% of  $V_{OUT}$ .
14. This is the amount of time from when the  $\overline{\text{FAULT}}$  Detection Threshold ( $230 \text{ mV} \leq V_{THF} \leq 280 \text{ mV}$ ) is exceeded to when the  $\overline{\text{FAULT}}$  output goes low.
15. This is the amount of time for the  $\overline{\text{FAULT}}$  Output to return to a high state once the  $\overline{\text{FAULT}}$  Detection Threshold ( $230 \text{ mV} \leq V_{THF} \leq 280 \text{ mV}$ ) is no longer exceeded.
16. Input pulses shorter than the fault rejection pulse width ( $t_{REJECT}$ ), will not activate the  $\overline{\text{FAULT}}$  (pin 14) output. See Frequently Asked Question #2.3 in the Applications Information Section at the end of this data sheet for additional detail on how to avoid false tripping of the  $\overline{\text{FAULT}}$  output due to cable capacitance charging transients.
17. CMTI is also known as Common Mode Rejection or Isolation Mode Rejection. It is tested by applying an exponentially rising falling voltage step on pin 8 (GND1) with respect to pin 9 (GND2). The rise time of the test waveform is set to approximately 50 ns. The amplitude of the step is adjusted until  $V_{OUT}$  (pin 12) exhibits more than 100 mV deviation from the average output voltage for more than 1  $\mu$ s. The HCPL-788J will continue to function if more than 10 kV/ $\mu$ s common mode slopes are applied, as long as the break-down voltage limitations are observed. [The HCPL-788J still functions with common mode slopes above 10 kV/ $\mu$ s, but output noise may increase to as much as 600 mV peak to peak.]
18. CMRR is defined as the ratio of differential signal gain (signal applied differentially between pins 1 and 2) to the common mode gain (input pins tied to pin 8 and the signal applied between the input and the output of the isolation amplifier) at 60 Hz, expressed in dB.



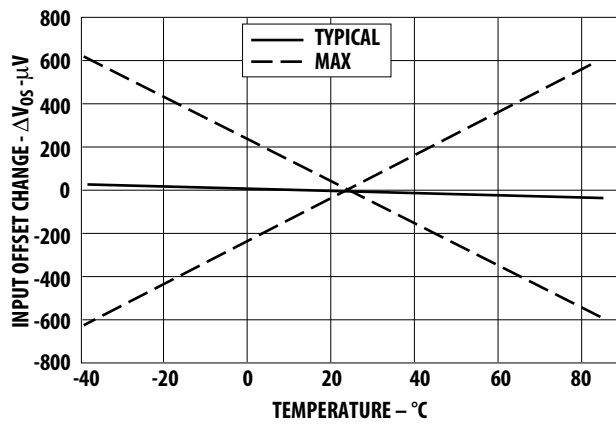


Figure 3. Input offset voltage change vs. temperature

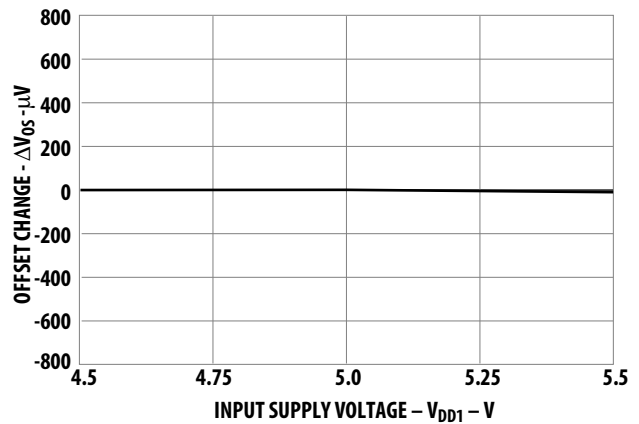


Figure 4. Input offset voltage change vs.  $V_{DD1}$

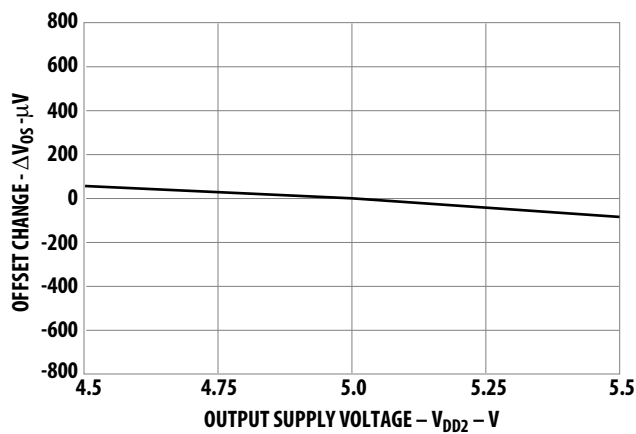


Figure 5. Input offset voltage change vs.  $V_{DD2}$

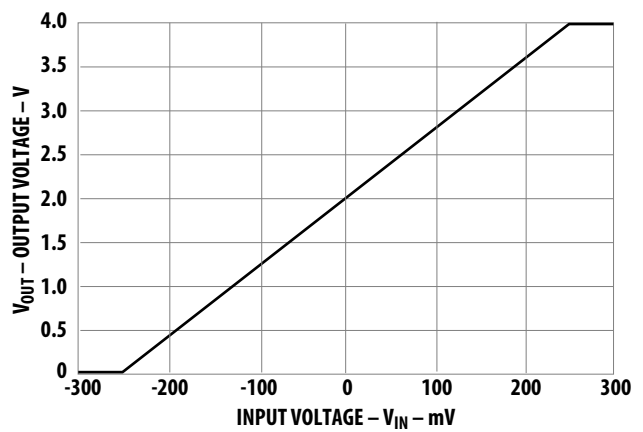


Figure 6.  $V_{OUT}$  vs.  $V_{IN}$

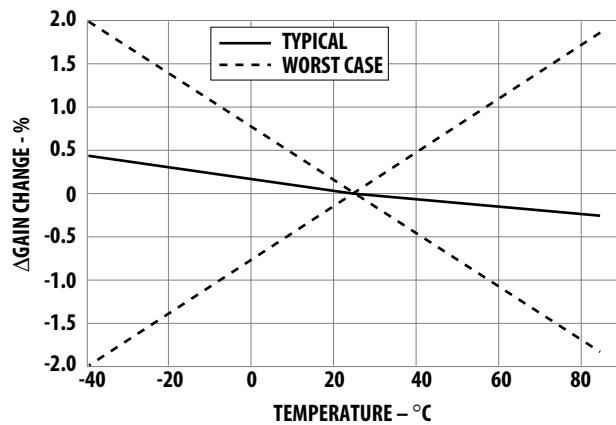


Figure 7. Gain change vs. temperature

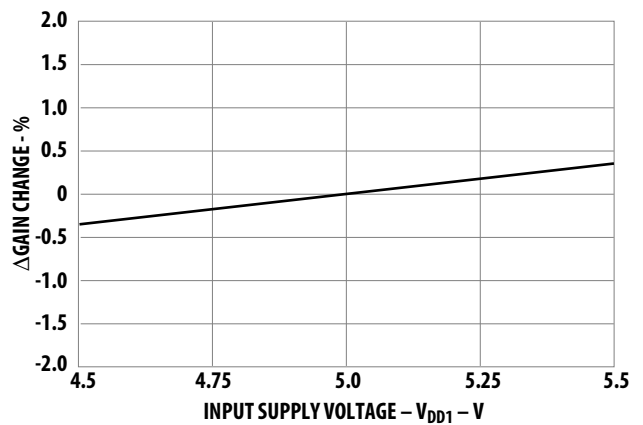


Figure 8. Gain change vs.  $V_{DD1}$

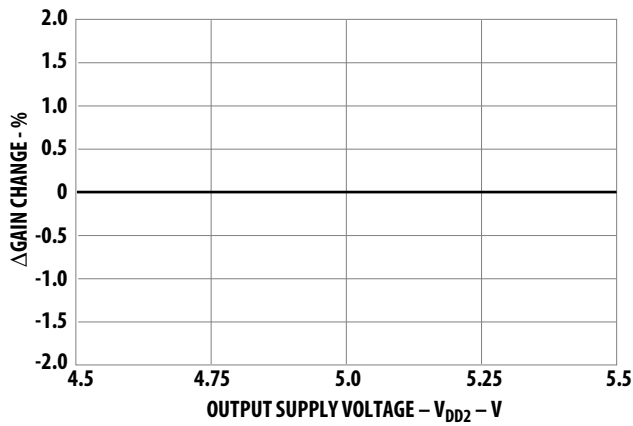


Figure 9. Gain change vs.  $V_{DD2}$

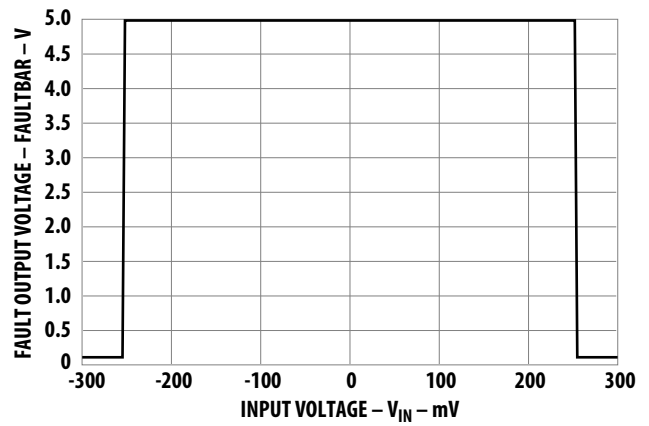


Figure 10. FAULT output voltage vs.  $V_{IN}$

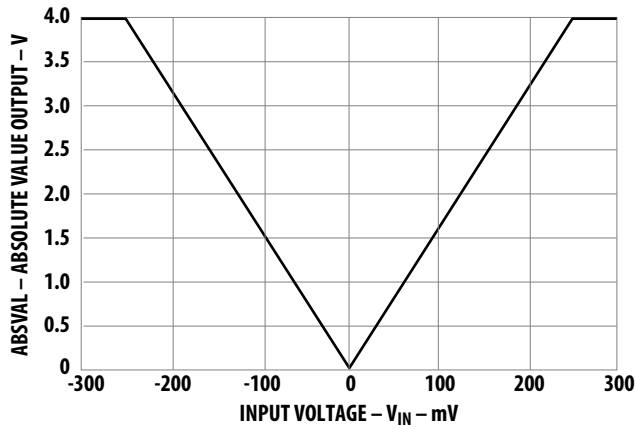


Figure 11. ABSVAL output voltage vs.  $V_{IN}$

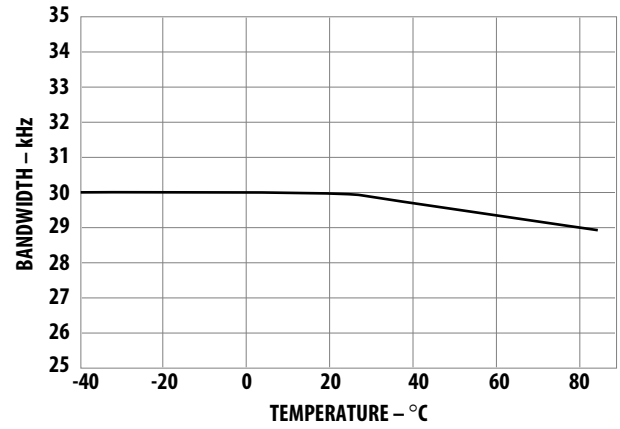


Figure 12. Bandwidth vs. temperature

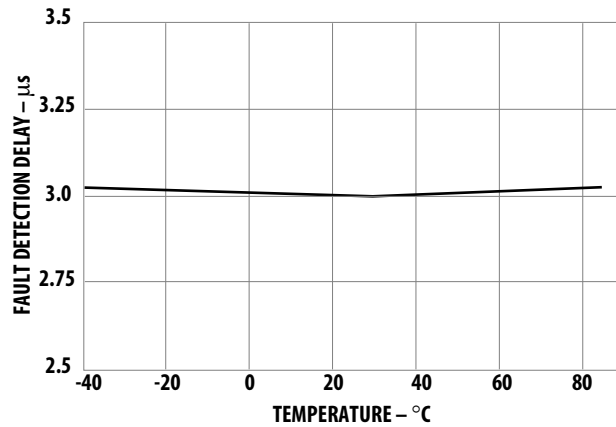


Figure 13. FAULT detection delay vs. temperature

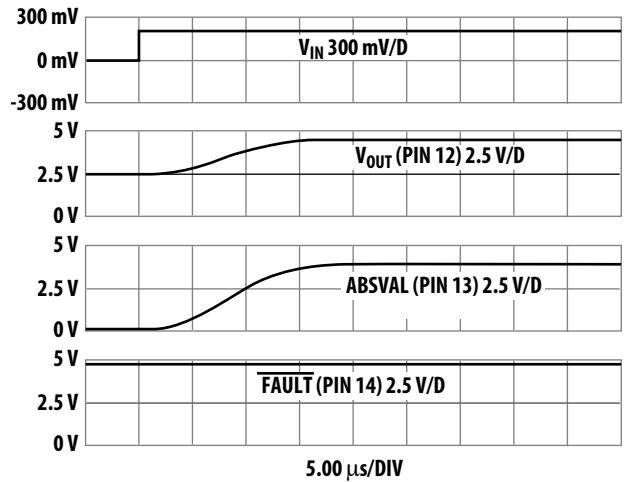


Figure 14. Step response, 0 mV to 200 mV input, at  $V_{REF} = 5 V$

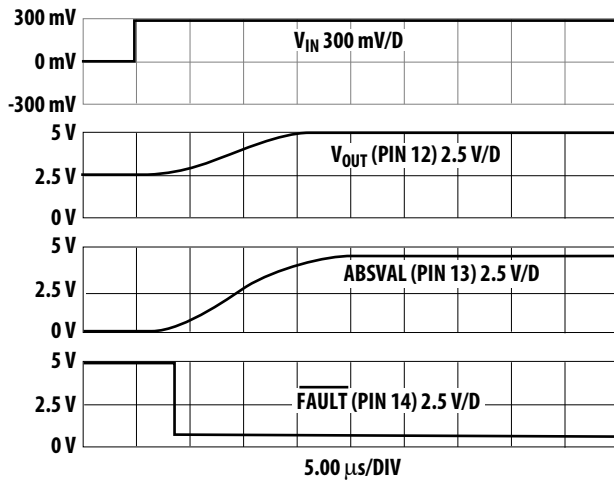


Figure 15.  $\overline{\text{FAULT}}$  detection, 0 mV to 300 mV input, at  $V_{\text{REF}} = 5 \text{ V}$

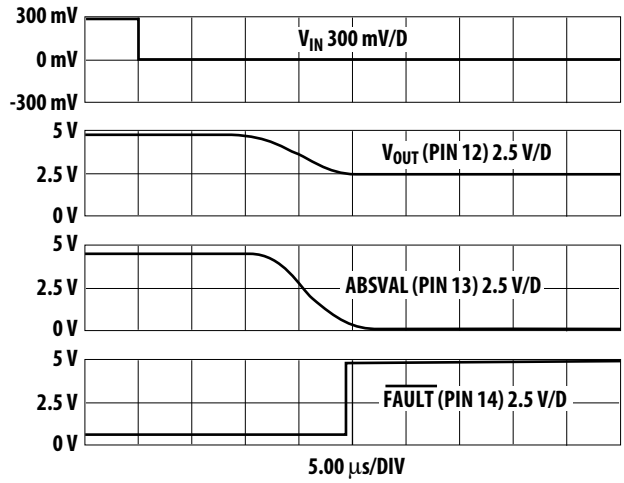


Figure 16.  $\overline{\text{FAULT}}$  release, 300 mV to 0 mV input, at  $V_{\text{REF}} = 5 \text{ V}$

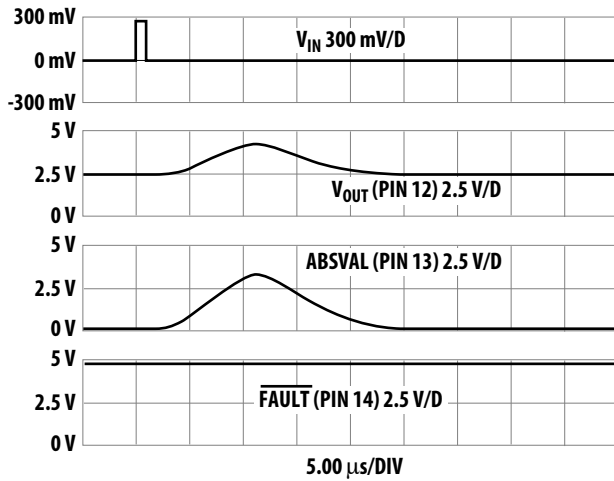


Figure 17.  $\overline{\text{FAULT}}$  rejecting a  $1 \mu\text{s}$ , 0 V to 2 V to 0 V input. Rejection is independent of amplitude

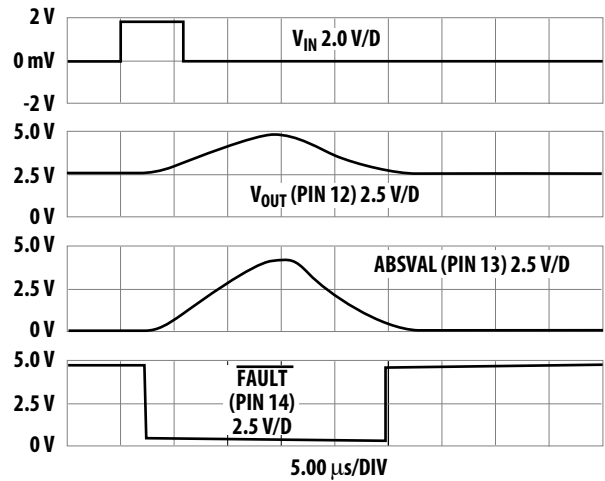


Figure 18. Detection of  $6 \mu\text{s}$  fault 0 to 2 V to 0 input, at  $V_{\text{REF}} = 5 \text{ V}$

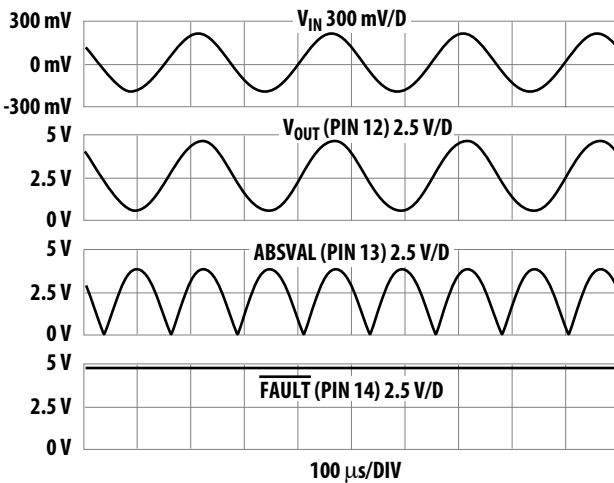


Figure 19. Sine response 400 mV peak-to-peak 4 kHz input, at  $V_{\text{REF}} = 5 \text{ V}$

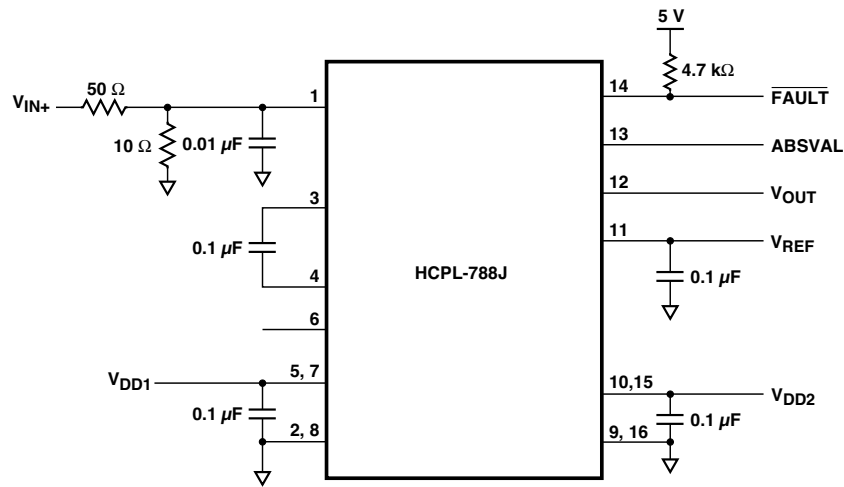


Figure 20. AC test circuit

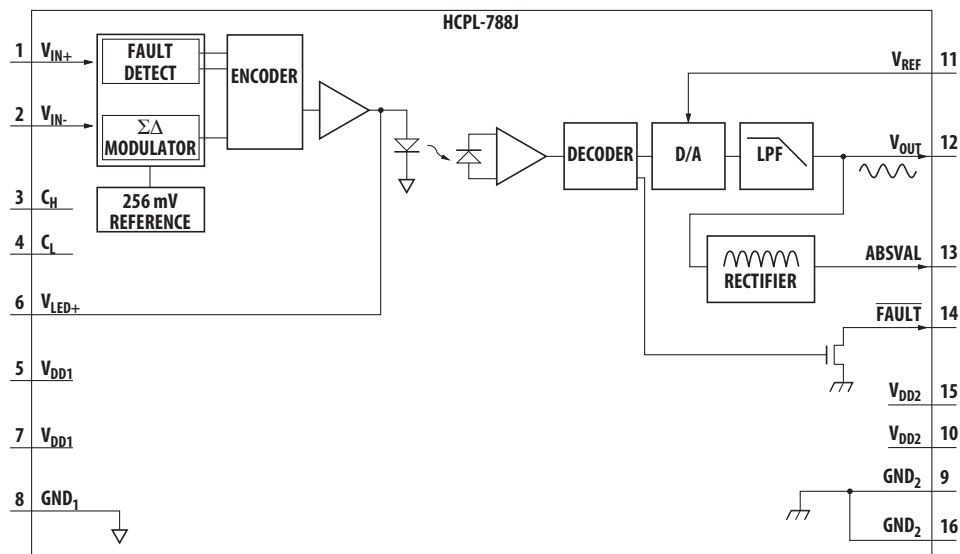


Figure 21. Internal block diagram

## Applications Information

### Production Description

Figure 21 shows the internal block diagram of the HCPL-788J. The analog input ( $V_{IN}$ ) is converted to a digital signal using a sigma-delta ( $\Sigma\text{-}\Delta$ ) analog to digital (A/D) converter. This A/D samples the input 6 million times per second and generates a high speed 1-bit output representing the input very accurately. This 1 bit data stream is transmitted via a light emitting diode (LED) over the optical barrier after encoding. The detector converts the optical signal back to a bit stream. This bit stream is decoded and drives a 1 bit digital to analog (D/A) converter. Finally a low pass filter and output buffer drive the output signal ( $V_{OUT}$ ) which linearly represents the analog input. The output signal full-scale range is determined by the external reference voltage ( $V_{REF}$ ). By sharing this reference voltage (which can be the supply voltage), the full-scale range of the HCPL-788J can precisely match the full-scale range of an external A/D converter.

In addition, the HCPL-788J compares the analog input ( $V_{IN}$ ) to both the negative and positive full-scale values. If the input exceeds the full-scale range, the short-circuit fault output ( $\overline{\text{FAULT}}$ ) is activated quickly. This feature operates independently of the  $\Sigma\text{-}\Delta$  A/D converter in order to provide the high-speed response (typically 3  $\mu\text{s}$ ) need-

ed to protect power transistors. The  $\overline{\text{FAULT}}$  output is wire OR-able so that a short circuit on any one motor phase can be detected using only one signal.

One other output is provided — the rectified output (ABSVAL). This output is also wire OR-able. The motor phase having the highest instantaneous rectified output pulls the common output high. When three sinusoidal motor phases are combined, the rectified output (ABSVAL) is essentially a DC signal representing the rms motor current. This single DC signal and a threshold comparator can indicate motor overload conditions before damage to the motor or drive occur. Figure 22 shows the ABSVAL output when 3 HCPL-788Js are used to monitor a sinusoidal 60 Hz current. Figures 23 and 24 show the ABSVAL output when only 2 or 1 of the 3 phases are monitored, respectively.

The HCPL-788J's other main function is to provide galvanic isolation between the analog input and the analog output. An internal voltage reference determines the full-scale analog input range of the modulator (approximately  $\pm 256$  mV); an input range of  $\pm 200$  mV is recommended to achieve optimal performance.

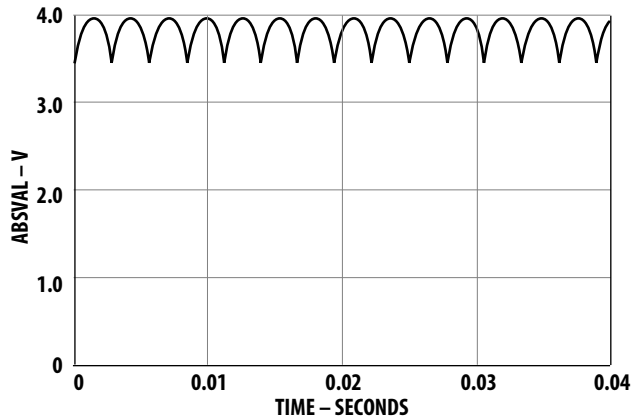


Figure 22. ABSVAL with 3 phases, wired-ORed together

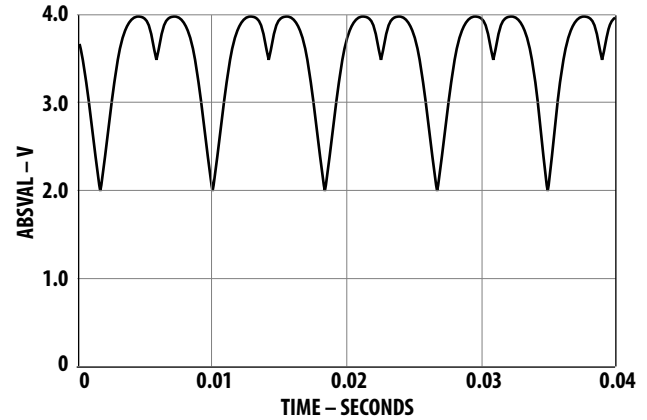


Figure 23. ABSVAL with 2 phases, wired-ORed together

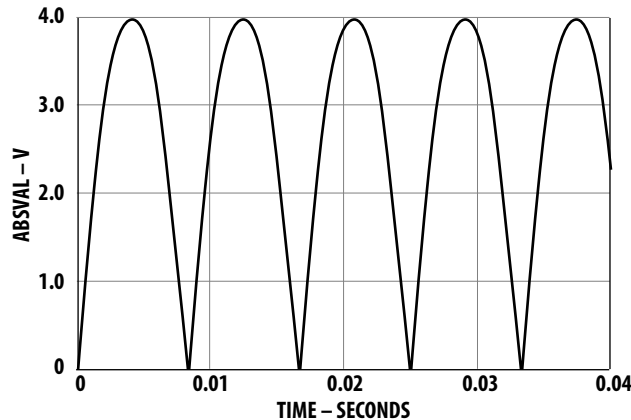


Figure 24. ABSVAL with 1 phase

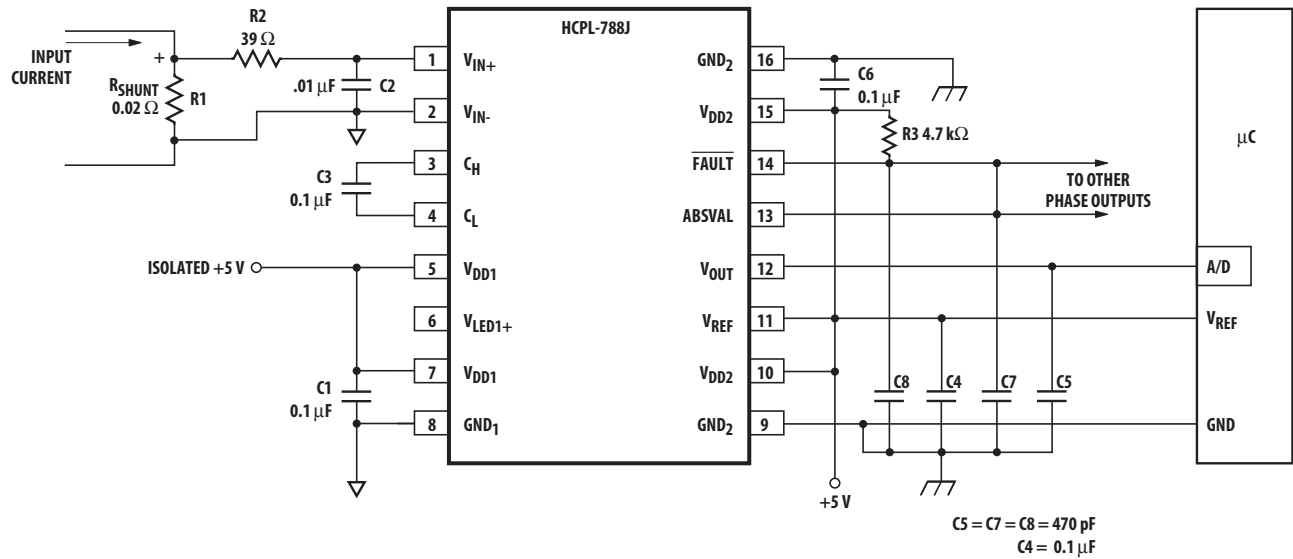


Figure 25. Recommended applications circuit

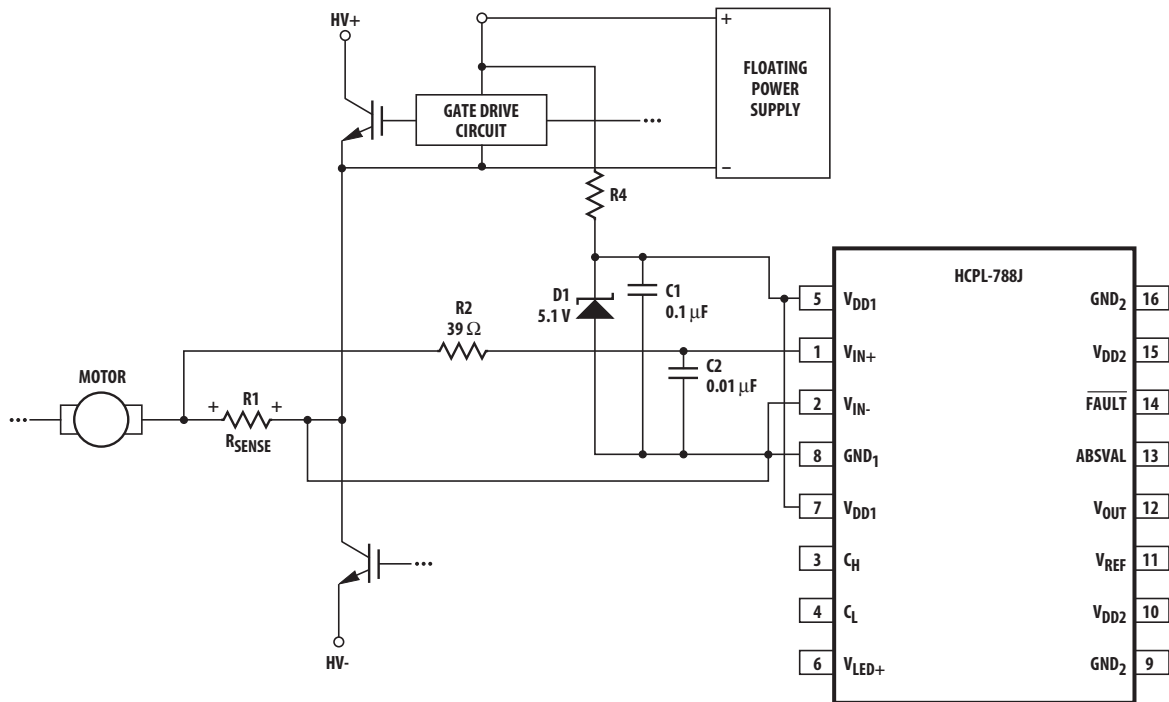


Figure 26. Recommended supply and sense resistor connections

## Analog Interfacing

### Power Supplies and Bypassing

The recommended supply connections are shown in Figure 26. A floating power supply (which in many applications could be the same supply that is used to drive the high-side power transistor) is regulated to 5 V using a simple zener diode (D1); the value of resistor R4 should be chosen to supply sufficient current from the existing floating supply. The voltage from the current sensing resistor ( $R_{sense}$ ) is applied to the input of the HCPL-788J through an RC anti-aliasing filter (R2 and C2).

Although the application circuit is relatively simple, a few recommendations should be followed to ensure optimal performance.

The power supply for the HCPL-788J is most often obtained from the same supply used to power the power transistor gate drive circuit. If a dedicated supply is required, in many cases it is possible to add an additional winding on an existing transformer. Otherwise, some sort of simple isolated supply can be used, such as a line powered transformer or a high-frequency DC-DC converter.

An inexpensive 78L05 three-terminal regulator can also be used to reduce the floating supply voltage to 5 V. To help attenuate high-frequency power supply noise or ripple, a resistor or inductor can be used in series with the input of the regulator to form a low-pass filter with the regulator's input bypass capacitor.

As shown in Figure 25, 0.1  $\mu\text{F}$  bypass capacitors (C1, C3, C4, and C6) should be located as close as possible to the pins of the HCPL-788J. The bypass capacitors are required because of the high-speed digital nature of the signals inside the HCPL-788J. A 0.01  $\mu\text{F}$  bypass capacitor (C2) is also recommended at the input due to the switched-capacitor nature of the input circuit. The input bypass capacitor also forms part of the anti-aliasing filter, which is recommended to prevent high-frequency noise from aliasing down to lower frequencies and interfering with the input signal. The input filter also performs an important reliability function — it reduces transient spikes from ESD events flowing through the current sensing resistor.

## PC Board Layout

The design of the printed circuit board (PCB) should follow good layout practices, such as keeping bypass capacitors close to the supply pins, keeping output signals away from input signals, the use of ground and power planes, etc. In addition, the layout of the PCB can also affect the isolation transient immunity (CMTI) of the HCPL-788J, due primarily to stray capacitive coupling between the input and the output circuits. To obtain optimal CMTI performance, the layout of the PC board should minimize any stray coupling by maintaining the maximum possible distance between the input and output sides of the circuit and ensuring that any ground or power plane on the PC board does not pass directly below or extend much wider than the body of the HCPL-788J.

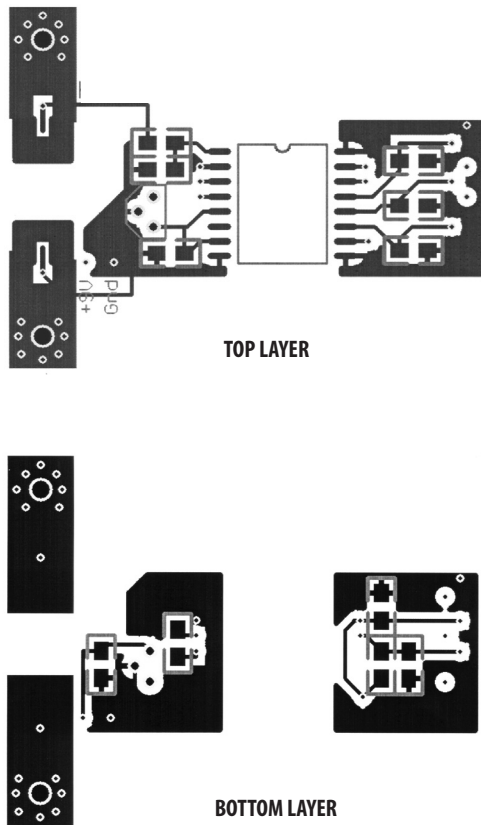


Figure 27. Example printed circuit board layout

## Current Sensing Resistors

The current sensing resistor should have low resistance (to minimize power dissipation), low inductance (to minimize di/dt induced voltage spikes which could adversely affect operation), and reasonable tolerance (to maintain overall circuit accuracy). Choosing a particular value for the resistor is usually a compromise between minimizing power dissipation and maximizing accuracy. Smaller sense resistance decreases power dissipation, while larger sense resistance can improve circuit accuracy by utilizing the full input range of the HCPL-788J.

The first step in selecting a sense resistor is determining how much current the resistor will be sensing. The graph in Figure 28 shows the rms current in each phase of a three-phase induction motor as a function of average motor output power (in horsepower, hp) and motor drive supply voltage. The maximum value of the sense resistor is determined by the current being measured and the maximum recommended input voltage of the isolation amplifier. The maximum sense resistance can be calculated by taking the maximum recommended input voltage and dividing by the peak current that the sense resistor should see during normal operation. For example, if a motor will have a maximum rms current of 10 A and can experience up to 50% overloads during normal operation, then the peak current is 21.1 A ( $=10 \times 1.414 \times 1.5$ ). Assuming a maximum input voltage of 200 mV, the maximum value of sense resistance in this case would be about 10 m $\Omega$ .

The maximum average power dissipation in the sense resistor can also be easily calculated by multiplying the sense resistance times the square of the maximum rms current, which is about 1 W in the previous example.

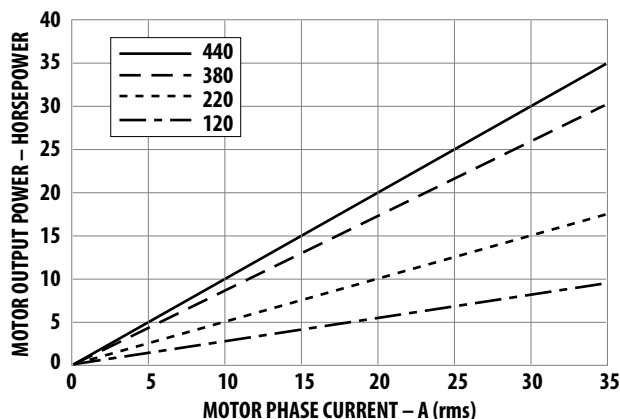


Figure 28. Motor output horsepower vs. motor phase current and supply voltage

If the power dissipation in the sense resistor is too high, the resistance can be decreased below the maximum value to decrease power dissipation. The minimum value of the sense resistor is limited by precision and accuracy requirements of the design. As the resistance value is reduced, the output voltage across the resistor is also reduced, which means that the offset and noise, which are fixed, become a larger percentage of the signal amplitude. The selected value of the sense resistor will fall somewhere between the minimum and maximum values, depending on the particular requirements of a specific design.

When sensing currents large enough to cause significant heating of the sense resistor, the temperature coefficient (tempco) of the resistor can introduce nonlinearity due to the signal dependent temperature rise of the resistor. The effect increases as the resistor-to-ambient thermal resistance increases. This effect can be minimized by reducing the thermal resistance of the current sensing resistor or by using a resistor with a lower tempco. Lowering the thermal resistance can be accomplished by repositioning the current sensing resistor on the PC board, by using larger PC board traces to carry away more heat, or by using a heat sink.

For a two-terminal current sensing resistor, as the value of resistance decreases, the resistance of the leads become a significant percentage of the total resistance. This has two primary effects on resistor accuracy. First, the effective resistance of the sense resistor can become dependent on factors such as how long the leads are, how they are bent, how far they are inserted into the board, and how far solder wicks up the leads during assembly (these issues will be discussed in more detail shortly). Second, the leads are typically made from a material, such as copper, which has a much higher tempco than the material from which the resistive element itself is made, resulting in a higher tempco overall.

Both of these effects are eliminated when a four-terminal current sensing resistor is used. A four-terminal resistor has two additional terminals that are Kelvin-connected directly across the resistive element itself; these two terminals are used to monitor the voltage across the resistive element while the other two terminals are used to carry the load current. Because of the Kelvin connection, any voltage drops across the leads carrying the load current should have no impact on the measured voltage.



When laying out a PC board for the current sensing resistors, a couple of points should be kept in mind. The Kelvin connections to the resistor should be brought together under the body of the resistor and then run very close to each other to the input of the HCPL-788J; this minimizes the loop area of the connection and reduces the possibility of stray magnetic fields from interfering with the measured signal. If the sense resistor is not located on the same PC board as the HCPL-788J circuit, a tightly twisted pair of wires can accomplish the same thing.

Also, multiple layers of the PC board can be used to increase current carrying capacity. Numerous plated-through vias should surround each non-Kelvin terminal of the sense resistor to help distribute the current between the layers of the PC board. The PC board should use 2 or 4 oz. copper for the layers, resulting in a current carrying capacity in excess of 20 A. Making the current carrying traces on the PC board fairly large can also improve the sense resistor's power dissipation capability by acting as a heat sink. Liberal use of vias where the load current enters and exits the PC board is also recommended.

## Sense Resistor Connections

The recommended method for connecting the HCPL-788J to the current sensing resistor is shown in Figure 26.  $V_{IN+}$  (pin 1 of the HCPL-788J) is connected to the positive terminal of the sense resistor, while  $V_{IN-}$  (pin 2) is shorted to  $GND_1$  (pin 8), with the power-supply return path functioning as the sense line to the negative terminal of the current sense resistor. This allows a single pair of wires or PC board traces to connect the HCPL-788J circuit to the sense resistor. By referencing the input circuit to the negative side of the sense resistor, any load current induced noise transients on the resistor are seen as a common-mode signal and will not interfere with the current-sense signal. This is important because the large load currents flowing through the motor drive, along with the parasitic inductances inherent in the wiring of the circuit, can generate both noise spikes and offsets that are relatively large compared to the small voltages that are being measured across the current sensing resistor.

If the same power supply is used both for the gated drive circuit and for the current sensing circuit, it is very important that the connection from  $GND_1$  of the HCPL-788J to the sense resistor be the only return path for supply current to the gate drive power supply in order to eliminate potential ground loop problems. The only direct connection between the HCPL-788J circuit and the gate drive circuit should be the positive power supply line. Please refer to Avago Technologies' Applications Note 1078 for additional information on using Isolation Amplifiers.

## Frequently Asked Questions about the HCPL-788J

### 1. The Basics

- 
- 1.1: Why should I use the HCPL-788J for sensing current when Hall-effect sensors are available which don't need an isolated supply voltage?** Historically, motor control current sense designs have required trade-offs between signal accuracy, response time, and the use of discrete components to detect short circuit and overload conditions. The HCPL-788J greatly simplifies current-sense designs by providing an output voltage which can connect directly to an A/D converter as well as integrated short circuit and overload detection (eliminating the need for external circuitry). Available in an auto-insertable, SO-16 package, the HCPL-788J is smaller than and has better linearity, offset vs. temperature and Common Mode Rejection (CMR) performance than most Hall-effect sensors.
- 
- 1.2: What is the purpose of the  $V_{REF}$  input?** The  $V_{REF}$  input establishes the full scale output range.  $V_{REF}$  can be connected to the supply voltage ( $V_{DD2}$ ) or a voltage between 4 V and  $V_{DD2}$ . The nominal gain of the HCPL-788J is the output full scale range divided by 504 mV.
- 
- 1.3: What is the purpose of the rectified (ABSVAL) output on pin 13?** When 3 phases are wire-ORed together, the 3 phase AC currents are combined to form a DC voltage with very little ripple on it. This can be simply filtered and used to monitor the motor load. Moderate overload currents which don't trip the FAULT output can thus be detected easily.
- 

### 2. Sense Resistor and Input Filter

- 
- 2.1: Where do I get 10 m $\Omega$  resistors? I have never seen one that low.** Although less common than values above 10  $\Omega$ , there are quite a few manufacturers of resistors suitable for measuring currents up to 50 A when combined with the HCPL-788J. Example product information may be found at Vishay's web site (<http://www.vishay.com>) and Isotek's web site (<http://www.isotekcorp.com>).
- 
- 2.2: Should I connect both inputs across the sense resistor instead of grounding  $V_{IN-}$  directly to pin 8?** This is not necessary, but it will work. If you do, be sure to use an RC filter on both pin 1 ( $V_{IN+}$ ) and pin 2 ( $V_{IN-}$ ) to limit the input voltage at both pads.
- 
- 2.3: How can I avoid false tripping of the fault output due to cable capacitance charging transients?** In PWM motor drives there are brief spikes of current flowing in the wires leading to the motor each time a phase voltage is switched between states. The amplitude and duration of these current spikes is determined by the slew rate of the power transistors and the wiring impedances. To avoid false tripping of the FAULT output (pin 14) the HCPL-788J includes a blanking filter. This filter ignores over-range input conditions shorter than 1  $\mu$ s. For very long motor wires, it may be necessary to increase the time constant of the input RC antialiasing filter to keep the peak value of the HCPL-788J inputs below  $\pm 230$  mV. For example, a 39  $\Omega$ , 0.047  $\mu$ F RC filter on pin 1 will ensure that 2  $\mu$ s wide 500 mV pulses across the sense resistor do not trip the FAULT output.
- 
- 2.4: Do I really need an RC filter on the input? What is it for? Are other values of R and C okay?** This filter prevents damage from input spikes which may go beyond the absolute maximum ratings of the HCPL-788J inputs during ESD and other transient events. The filter also prevents aliasing of high frequency (above 3 MHz) noise at the sampled input. Other RC values are certainly OK, but should be chosen to prevent the input voltage (pin 1) from exceeding  $\pm 5$  V for any conceivable current waveform in the sense resistor. Remember to account for inductance of the sense resistor since it is possible to momentarily have tens of volts across even a 1 m $\Omega$  resistor if di/dt is quite large.
- 
- 2.5: How do I ensure that the HCPL-788J is not destroyed as a result of short circuit conditions which cause voltage drops across the sense resistor that exceed the ratings of the HCPL-788J's inputs?** Select the sense resistor so that it will have less than 5 V drop when short circuits occur. The only other requirement is to shut down the drive before the sense resistor is damaged or its solder joints melt. This ensures that the input of the HCPL-788J cannot be damaged by sense resistors going open-circuit.
-

### 3. Isolation and Insulation

---

<b>3.1: How many volts will the HCPL-788J withstand?</b>	The momentary (1 minute) withstand voltage is 5000 V rms per UL1577 and CSA Component Acceptance Notice #5.
<b>3.2: What happens if I don't use the 470 pF output capacitors Avago recommends?</b>	These capacitors are to reduce the narrow output spikes caused by high common mode slew rates. If your application does not have rapid common mode voltage changes, these capacitors are not needed.

---

### 4. Accuracy

---

<b>4.1: What is the meaning of the offset errors and gain errors in terms of the output?</b>	For zero input, the output should ideally be $\frac{1}{2}$ of $V_{REF}$ . The nominal slope of the input/output relationship is $V_{REF}$ divided by 0.504 V. Offset errors change only the DC input voltage needed to make the output equal to $\frac{1}{2}$ of $V_{REF}$ . Gain errors change only the slope of the input/output relationship. For example, if $V_{REF}$ is 4.0 V, the gain should be 7.937 V/V. For zero input, the output should be 2.000 V. Input offset voltage of $\pm 3$ mV means the output voltage will be $2.000\text{ V} \pm 0.003 * 7.937$ or $2.000 \pm 23.8$ mV when the input is zero. Gain tolerance of $\pm 5\%$ means that the slope will be $7.937 \pm 0.397$ . Over the full range of $\pm 3$ mV input offset error and $\pm 5\%$ gain error, the output voltage will be $2.000 \pm 25.0$ mV when the input is zero.
<b>4.2: Can the signal to noise ratio be improved?</b>	Yes. Some noise energy exists beyond the 30 kHz bandwidth of the HCPL-788J. An external RC low pass filter can be used to improve the signal to noise ratio. For example, a 680 $\Omega$ , 4700 pF RC filter will cut the rms output noise roughly by a factor of 2. This filter reduces the -3dB signal bandwidth only by about 10%. In applications needing only a few kHz bandwidth even better noise performance can be obtained. The noise spectral density is roughly 400 nV/ $\sqrt{\text{Hz}}$ below 15 kHz (input referred). As an example, a 2 kHz (680 $\Omega$ , 0.1 $\mu\text{F}$ ) RC low pass filter reduces output noise to a typical value of 0.08 mV <sub>rms</sub> .
<b>4.3: I need 1% tolerance on gain. Does Avago sell a more precise version?</b>	At present Avago does not have a standard product with tighter gain tolerance. A 100 $\Omega$ variable resistor divider can be used to adjust the input voltage at pin 1, if needed.
<b>4.4: The output doesn't go all the way to <math>V_{REF}</math> when the input is above full scale. Why not?</b>	Op-amps are used to drive $V_{OUT}$ (pin 12) and ABSVAL (pin 13). These op-amps can swing nearly from rail to rail when there is no load current. The internal $V_{DD2}$ is about 100 mV below the external $V_{DD2'}$ . In addition, the pullup and pulldown output transistors are not identical in capability. The net result is that the output can typically swing to within 20 mV of $GND_2$ and to within 150 mV of $V_{DD2}$ . When $V_{REF}$ is tied to $V_{DD2'}$ , the output cannot reach $V_{REF}$ exactly. This limitation has no effect on gain — only on maximum output voltage. The output remains linear and accurate for all inputs between -200 mV and +200 mV. For the maximum possible swing range, separate $V_{REF}$ and $V_{DD2}$ voltages can be used. Since 5.0 V is normally recommended for $V_{DD2'}$ , use of 4.5 V or 4.096 V references for $V_{REF}$ allow the outputs to swing all the way up to $V_{REF}$ (and down to typically 20 mV).
<b>4.5: Does the gain change if the internal LED light output degrades with time?</b>	No. The LED is used only to transmit a digital pattern. Gain is determined by a bandgap voltage reference and the user-provided $V_{REF}$ . Avago has accounted for LED degradation in the design of the product to ensure long life.
<b>4.6: Why is gain defined as <math>V_{REF}/504</math> mV, not <math>V_{REF}/512</math> mV as expected, based on Figure 24?</b>	Ideally gain would be $V_{REF}/512$ mV, however, due to internal settling characteristics, the average effective value of the internal 256 mV reference is 252 mV.

---

## 5. Power Supplies and Start-Up

---

- 5.1: What are the output voltages before the input side power supply is turned on?**  $V_{OUT}$  (pin 12) is close to zero volts, ABSVAL (pin 13) is close to  $V_{REF}$  and  $\overline{FAULT}$  (pin 14) is in the high (inactive) state when power to the input side is off. In fact, a self test can be performed using this information. In a motor drive, it is possible to turn off all the power transistors and thus cause all the sense resistor voltages to be zero. In this case, finding  $V_{OUT}$  less than  $1/4$  of  $V_{REF}$ , ABSVAL more than  $3/4$  of  $V_{REF}$  and  $\overline{FAULT}$  in the high state indicates that power to the input side is not on.
- 
- 5.2: How long does the HCPL-788J take to begin working properly after power-up?** About 50  $\mu$ s after a  $V_{DD2}$  power-up and 100  $\mu$ s after a  $V_{DD1}$  power-up.
- 

## 6. Miscellaneous

---

- 6.1: How does the HCPL-788J measure negative signals with only a +5 V supply?** The inputs have a series resistor for protection against large negative inputs. Normal signals are no more than 200 mV in amplitude. Such signals do not forward bias any junctions sufficiently to interfere with accurate operation of the switched capacitor input circuit.
- 
- 6.2: What load capacitance can the HCPL-788J drive?** Typically, noticeable ringing and overshoot begins for  $C_{LOAD}$  above 0.02  $\mu$ F. Avago recommends keeping the load capacitance under 5000 pF (at pin 12). ABSVAL (pin 13) typically exhibits no instability at any load capacitance, but speed of response gradually slows above 470 pF load.
- 
- 6.3: Can I use the HCPL-788J with a bipolar input A/D converter?** Yes, with a compromise on offset accuracy. One way to do this is by connecting +2.5 V to pins 10, 11, and 15 and connecting -2.5 V to pins 9 and 16 with 0.1  $\mu$ F bypass capacitors from +2.5 V to -2.5 V and from -2.5 V to ground. Note that  $\overline{FAULT}$  cannot swing above 2.5 V in this case, so a level shifter may be needed. Alternately, a single 5 V supply could be power the HCPL-788J which could drive an op amp configured to subtract  $1/2$  of  $V_{REF}$  from  $V_{OUT}$ .
- 

For product information and a complete list of distributors, please go to our website: [www.avagotech.com](http://www.avagotech.com)

Avago, Avago Technologies, and the A logo are trademarks of Avago Technologies in the United States and other countries. Data subject to change. Copyright © 2005–2015 Avago Technologies. All rights reserved. Obsoletes AV01-0570EN AV02-1546EN – March 9, 2015

**Avago**  
TECHNOLOGIES

## X-ON Electronics

Largest Supplier of Electrical and Electronic Components

*Click to view similar products for [Optically Isolated Amplifiers](#) category:*

*Click to view products by [Broadcom](#) manufacturer:*

Other Similar products are found below :

[LIA130S](#) [ACPL-C79A-500E](#) [ACPL-C797-500E](#) [TLP7930\(D4-TP1,F](#) [TLP7920\(D4-A,F](#) [TLP7920\(B.F\(O](#) [LIA130](#) [ACPL-C790-500E](#) [ACPL-782T-500E](#) [ACPL-790B-000E](#) [ACPL-C78A-000E](#) [ACPL-C87BT-500E](#) [HCPL-7510-300E](#) [HCPL-7520-300E](#) [HCPL-7520-500E](#) [HCPL-788J-500E](#) [ACPL-7970-000E](#) [ACPL-C784-500E](#) [ACPL-C79A-000E](#) [ACPL-C87A-500E](#) [ACPL-C87B-500E](#) [HCPL-7520-000E](#) [HCPL-7800-000E](#) [HCPL-7800A-000E](#) [HCPL-7840-000E](#) [HCPL-7800-300E](#) [HCPL-7800A-300E](#) [HCPL-7840-300E](#) [HCPL-7800A-500E](#) [HCPL-7840-500E](#) [HCPL-7800-500E](#) [ACPL-7970-500E](#) [HCPL-7840#300](#) [HCPL-788J-000E](#) [H11L2](#) [H11L1SM](#) [ACPL-C87H-500E](#) [TLP7920\(D4,F](#) [TLP7830\(TP4,E](#) [ACPL-C780-000E](#) [ACPL-7900-300E](#) [ACPL-C78A-500E](#)