

# HCPL-M600, HCPL-M601, HCPL-M611

Small Outline, 5 Lead, High CMR,  
High Speed, Logic Gate Optocouplers



## Data Sheet



### Description

These small outline high CMR, high speed, logic gate optocouplers are single channel devices in a five lead miniature footprint. They are electrically equivalent to the following Avago optocouplers (except there is no output enable feature):

| SO-5 Package | Standard DIP | SO-8 Package |
|--------------|--------------|--------------|
| HCPL-M600    | 6N137        | HCPL-0600    |
| HCPL-M601    | HCPL-2601    | HCPL-0601    |
| HCPL-M611    | HCPL-2611    | HCPL-0611    |

The SO-5 JEDEC registered (MO-155) package outline does not require "through holes" in a PCB. This package occupies approximately one fourth the footprint area of the standard dual-in-line package. The lead profile is designed to be compatible with standard surface mount processes.

The HCPL-M600/01/11 optically coupled gates combine a GaAsP light emitting diode and an integrated high gain photon detector. The output of the detector I.C. is an Open-collector Schottky-clamped transistor. The internal shield provides a guaranteed common mode transient immunity specification of 5,000 V/ $\mu$ s for the HCPL-M601, and 10,000 V/ $\mu$ s for the HCPL-M611.

This unique design provides maximum ac and dc circuit isolation while achieving TTL compatibility. The optocoupler ac and dc operational parameters are guaranteed from  $-40^{\circ}\text{C}$  to  $85^{\circ}\text{C}$  allowing trouble free system performance.

### Features

- Surface Mountable
- Very Small, Low Profile JEDEC Registered Package Outline
- Compatible with Infrared Vapor Phase Reflow and Wave Soldering Processes
- Internal Shield for High Common Mode Rejection (CMR)  
HCPL-M601: 10,000 V/ $\mu$ s at  $V_{\text{CM}} = 50\text{ V}$   
HCPL-M611: 15,000 V/ $\mu$ s at  $V_{\text{CM}} = 1000\text{ V}$
- High Speed: 10 Mbd
- LSTTL/TTL Compatible
- Low Input Current Capability: 5 mA
- Guaranteed ac and dc Performance over Temperature:  $-40^{\circ}\text{C}$  to  $85^{\circ}\text{C}$
- Safety and regulatory approvals:
  - UL recognized: 3750 Vac for 1 min. per U.L. (File No. 55361)
  - CSA component acceptance Notice #5
  - IEC/EN/DIN EN 60747-5-2 approved for HCPL-M601/M611 Option 060.
- Lead Free Option

### Applications

- Isolated Line Receiver
- Simplex/Multiplex Data Transmission
- Computer-Peripheral Interface
- Microprocessor System Interface
- Digital Isolation for A/D, D/A Conversion
- Switching Power Supply
- Instrument Input/Output Isolation
- Ground Loop Elimination
- Pulse Transformer Replacement

*CAUTION: The small device geometries inherent to the design of this bipolar component increase the component's susceptibility to damage from electrostatic discharge (ESD). It is advised that normal static precautions be taken in handling and assembly of this component to prevent damage and/or degradation which may be induced by ESD.*

The SO-5 JEDEC registered (MO-155) package outline does not require “through holes” in a PCB. This package occupies approximately one fourth the footprint area of the standard dual-in-line package. The lead profile is designed to be compatible with standard surface mount processes.

The HCPL-M600/01/11 optically coupled gates combine a GaAsP light emitting diode and an integrated high gain photon detector. The output of the detector I.C. is an Open-collector Schottky-clamped transistor. The internal shield provides a guaranteed common mode transient immunity specification of 5,000 V/μs for the HCPL-M601, and 10,000 V/μs for the HCPL-M611.

This unique design provides maximum ac and dc circuit isolation while achieving TTL compatibility. The optocoupler ac and dc operational parameters are guaranteed from -40°C to 85°C allowing trouble free system performance.

The HCPL-M600/01/11 are suitable for high speed logic interfacing, input/output buffering, as line receivers in environments that conventional line receivers cannot tolerate, and are recommended for use in extremely high ground or induced noise environments.

## Ordering Information

HCPL-xxxx is UL Recognized with 3750 Vrms for 1 minute per UL1577.

| Part number | Option         |                    | Package | Surface Mount | Gull Wing | Tape & Reel | UL 5000 Vrms/ 1 Minute rating | IEC/EN/DIN EN 60747-5-2 | Quantity      |
|-------------|----------------|--------------------|---------|---------------|-----------|-------------|-------------------------------|-------------------------|---------------|
|             | RoHS Compliant | Non RoHS Compliant |         |               |           |             |                               |                         |               |
| HCPL-M600   | -000E          | No option          | SO-5    | X             |           |             |                               |                         | 100 per tube  |
|             | -500E          | #500               |         | X             |           | X           |                               |                         | 1500 per reel |
| HCPL-M601   | -000E          | No option          | SO-5    | X             |           |             |                               |                         | 100 per tube  |
| HCPL-M611   | -500E          | #500               |         | X             |           | X           |                               |                         | 1500 per reel |
|             | -560E          | -                  |         | X             |           | X           |                               | X                       | 1500 per reel |

To order, choose a part number from the part number column and combine with the desired option from the option column to form an order entry. Combination of Option 020 and Option 060 is not available.

Example 1:

HCPL-M600-500E to order product of Surface Mount SO-5 package in Tape and Reel packaging with RoHS compliant.

Example 2:

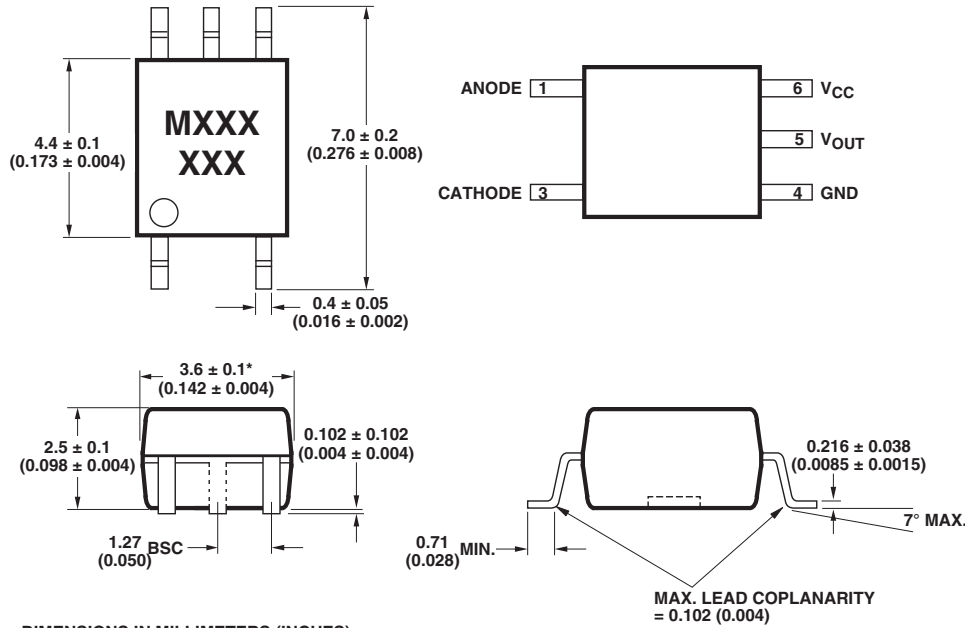
HCPL-M601 to order product of Surface Mount SO-5 package in tube packaging and non RoHS compliant.

Option datasheets are available. Contact your Avago sales representative or authorized distributor for information.

Remarks:

The notation '#XXX' is used for existing products, while (new) products launched since 15<sup>th</sup> July 2001 and RoHS compliant option will use '-XXXE'.

## Outline Drawing (JEDEC MO-155)

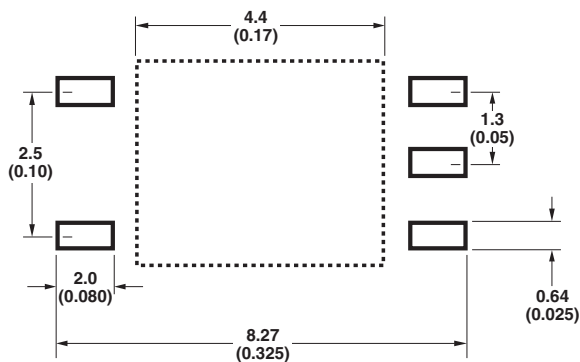


DIMENSIONS IN MILLIMETERS (INCHES)

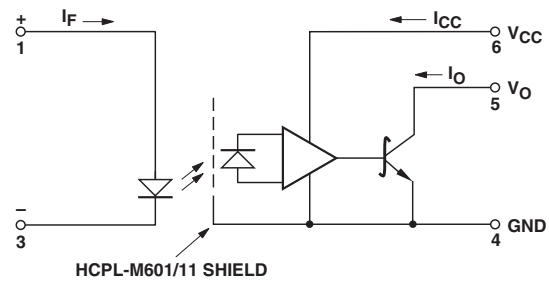
\* MAXIMUM MOLD FLASH ON EACH SIDE IS 0.15 mm (0.006)

NOTE: FLOATING LEAD PROTRUSION IS 0.15 mm (6 mils) MAX.

## Land Pattern Recommendation



## Schematic



USE OF A 0.1  $\mu$ F BYPASS CAPACITOR MUST BE CONNECTED BETWEEN PINS 6 AND 4 (SEE NOTE 1).

TRUTH TABLE (POSITIVE LOGIC)

| LED | OUTPUT |
|-----|--------|
| ON  | L      |
| OFF | H      |

## Regulatory Information

The HCPL-M600, HCPL-M601 and HCPL-M611 are approved by the following organizations:

### IEC/EN/DIN EN 60747-5-5 (Option 060 only)

for HCPL-M601 and HCPL-M611

### UL

Approval under UL 1577, component recognition program up to  $V_{ISO} = 3750 V_{RMS}$ .

### CSA

Approval under CSA Component Acceptance Notice #5, File CA 88324.

## Insulation and Safety Related Specifications

| Parameter   | Symbol | Value | Units | Conditions   |
|---|--------|-------|-------|--|
| Minimum External Air Gap (External Clearance)     | L(101) | 5     | mm    | Measured from input terminals to output terminals, shortest distance through air.  |
| Minimum External Tracking (External Creepage)     | L(102) | 5     | mm    | Measured from input terminals to output terminals, shortest distance path along body.  |
| Minimum Internal Plastic Gap (Internal Clearance) |        | 0.08  | mm    | Through insulation distance conductor to conductor, usually the straight line distance thickness between the emitter and detector. |
| Tracking Resistance (Comparative Tracking Index)  | CTI    | 175   | V     | DIN IEC 112/VDE 0303 Part 1  |
| Isolation Group                                   |        | IIIa  |       | Material Group (DIN VDE 0110, 1/89, Table 1)   |

## IEC/EN/DIN EN 60747-5-5 Insulation Characteristics\* (Option 060)

| Description  | Symbol          | Characteristic    | Unit     |
|--|-----------------|-------------------|----------|
| Installation classification per DIN VDE 0110/39, Table 1<br>for rated mains voltage $\leq 150$ Vrms<br>for rated mains voltage $\leq 300$ Vrms       |                 | I – IV<br>I – III |          |
| Climatic Classification  |                 | 55/85/21          |          |
| Pollution Degree (DIN VDE 0110/1.89)   |                 | 2                 |          |
| Maximum Working Insulation Voltage   | $V_{IORM}$      | 560               | Vpeak    |
| Input to Output Test Voltage, Method b*<br>$V_{IORM} \times 1.875 = V_{PR}$ , 100% Production Test with $t_m = 1$ sec,<br>Partial discharge $< 5$ pC | $V_{PR}$        | 1050              | Vpeak    |
| Input to Output Test Voltage, Method a*<br>$V_{IORM} \times 1.5 = V_{PR}$ , Type and Sample Test, $t_m = 60$ sec,<br>Partial discharge $< 5$ pC      | $V_{PR}$        | 840               | Vpeak    |
| Highest Allowable Overvoltage<br>(Transient Overvoltage $t_{ini} = 10$ sec)  | $V_{IOTM}$      | 6000              | Vpeak    |
| Safety-limiting values – maximum values allowed in the event of a failure.   |                 |                   |          |
| Case Temperature   | $T_S$           | 150               | °C       |
| Input Current**  | $I_{S, INPUT}$  | 150               | mA       |
| Output Power**   | $P_{S, OUTPUT}$ | 600               | mW       |
| Insulation Resistance at $T_S$ , $V_{IO} = 500$ V  | $R_S$           | $> 10^9$          | $\Omega$ |

\* Refer to the optocoupler section of the Isolation and Control Components Designer's Catalog, under Product Safety Regulations section, (IEC/EN/DIN EN 60747-5-2) for a detailed description of Method a and Method b partial discharge test profiles.

\*\* Refer to the following figure for dependence of  $P_S$  and  $I_S$  on ambient temperature.

## Recommended Operating Conditions

| Parameter                        | Symbol        | Min. | Max.  | Units     |
|----------------------------------|---------------|------|-------|-----------|
| Input Current, Low Level         | $I_{FL}^*$    | 0    | 250   | $\mu A$   |
| Input Current, High Level        | $I_{FH}^{**}$ | 5    | 15    | mA        |
| Supply Voltage, Output           | $V_{CC}$      | 4.5  | 5.5   | V         |
| Fan Out ( $R_L = 1$ k $\Omega$ ) | N             |      | 5     | TTL Loads |
| Output Pull-Up Resistor          | $R_L$         | 330  | 4,000 | $\Omega$  |
| Operating Temperature            | $T_A$         | -40  | 85    | °C        |

\* The off condition can also be guaranteed by ensuring that  $V_F(\text{off}) \leq 0.8$  volts.

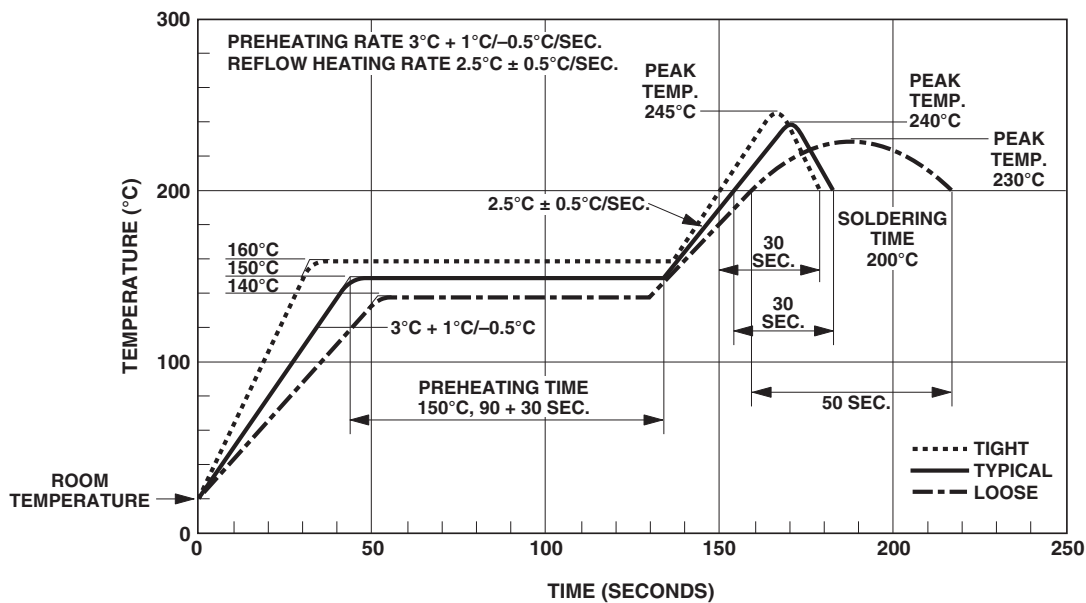
\*\* The initial switching threshold is 5mA or less. It is recommended that 6.3mA to 10mA be used for best performance and to permit at least a 20% LED degradation guardband.

## Absolute Maximum Ratings

(No Derating Required up to 85°C)

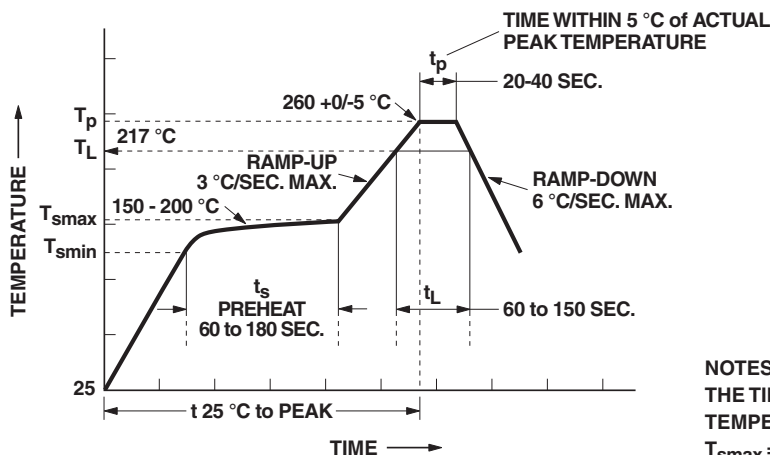
| Parameter  | Abs. Max.       |
|--|-----------------|
| Storage Temperature  | -55°C to +125°C |
| Operating Temperature  | -40°C to +85°C  |
| Forward Input Current - $I_F$ (see Note 2)   | 20 mA           |
| Reverse Input Voltage - $V_R$  | 5 V             |
| Supply Voltage - $V_{CC}$ (1 Minute Maximum)   | 7 V             |
| Output Collector Current - $I_O$   | 50 mA           |
| Output Collector Power Dissipation   | 85 mW           |
| Output Collector Voltage - $V_O$<br>(Selection for higher output voltages up to 20 V is available) | 7 V             |
| Infrared and Vapor Phase Reflow Temperature  | see below       |

## Solder Reflow Thermal Profile



Note: Non-halide flux should be used.

## Recommended Pb-Free IR Profile



NOTES:  
 THE TIME FROM 25 °C TO PEAK TEMPERATURE = 8 MINUTES MAX.  
 $T_{smax} = 200^\circ\text{C}$ ,  $T_{smin} = 150^\circ\text{C}$

Note: Non-halide flux should be used.

## Insulation Related Specifications

| Parameter                              | Symbol | Value | Units | Conditions   |
|--|--------|-------|-------|--|
| Min. External Air Gap (Clearance)      | L(IO1) | ≥5    | mm    | Measured from input terminals to output terminals  |
| Min. External Tracking Path (Creepage) | L(IO2) | ≥5    | mm    | Measured from input terminals to output terminals  |
| Min. Internal Plastic Gap (Clearance)  |        | 0.08  | mm    | Through insulation distance conductor to conductor |
| Tracking Resistance                    | CTI    | 175   | V     | DIN IEC 112/VDE 0303 Part 1                        |
| Isolation Group (per DIN VDE 0109)     |        | IIIa  |       | Material Group DIN VDE 0109                        |

## Electrical Specifications

Over recommended temperature ( $T_A = -40^{\circ}\text{C}$  to  $85^{\circ}\text{C}$ ) unless otherwise specified. (See note 1.)

| Parameter                           | Symbol                    | Min. | Typ.*     | Max. | Units                  | Test Conditions  | Fig.           | Note |
|-------------------------------------|---------------------------|------|-----------|------|------------------------|--|----------------|------|
| Input Threshold Current             | $I_{TH}$                  |      | 2         | 5    | mA                     | $V_{CC} = 5.5\text{ V}$ , $I_O \geq 13\text{ mA}$ ,<br>$V_O = 0.6\text{ V}$                | 13             |      |
| High Level Output Current           | $I_{OH}$                  |      | 5.5       | 100  | $\mu\text{A}$          | $V_{CC} = 5.5\text{ V}$ , $V_O = 5.5\text{ V}$<br>$I_F = 250\text{ }\mu\text{A}$           | 1              |      |
| Low Level Output Voltage            | $V_{OL}$                  |      | 0.4       | 0.6  | V                      | $V_{CC} = 5.5\text{ V}$ , $I_F = 5\text{ mA}$ ,<br>$I_{OL}(\text{Sinking}) = 13\text{ mA}$ | 2, 4,<br>5, 13 |      |
| High Level Supply Current           | $I_{CCH}$                 |      | 4         | 7.5  | mA                     | $V_{CC} = 5.5\text{ V}$ , $I_F = 0\text{ mA}$ ,  |                |      |
| Low Level Supply Current            | $I_{CCL}$                 |      | 6         | 10.5 | mA                     | $V_{CC} = 5.5\text{ V}$ , $I_F = 10\text{ mA}$ ,   |                |      |
| Input Forward Voltage               | $V_F$                     | 1.4  | 1.5       | 1.75 | V                      | $T_A = 25^{\circ}\text{C}$ , $I_F = 10\text{ mA}$<br>$I_F = 10\text{ mA}$                  | 3              |      |
| Input Reverse Breakdown Voltage     | $BV_R$                    | 5    |           |      |                        | $I_R = 10\text{ }\mu\text{A}$  |                |      |
| Input Capacitance                   | $C_{IN}$                  |      | 60        |      | pF                     | $V_F = 0\text{ V}$ , $f = 1\text{ MHz}$  |                |      |
| Input Diode Temperature Coefficient | $\Delta V_F / \Delta T_A$ |      | -1.6      |      | mV/ $^{\circ}\text{C}$ | $I_F = 10\text{ mA}$   | 12             |      |
| Input-Output Insulation             | $V_{ISO}$                 | 3750 |           |      | $V_{RMS}$              | $RH \leq 50\%$ , $t = 1\text{ min.}$   |                | 3, 4 |
| Resistance (Input-Output)           | $R_{I-O}$                 |      | $10^{12}$ |      | $\Omega$               | $V_{I-O} = 500\text{ V}$   |                | 3    |
| Capacitance (Input-Output)          | $C_{I-O}$                 |      | 0.6       |      | pF                     | $f = 1\text{ MHz}$   |                | 3    |

\*All typicals at  $T_A = 25^{\circ}\text{C}$ ,  $V_{CC} = 5\text{ V}$ .

## Switching Specifications

Over recommended temperature ( $T_A = -40^{\circ}\text{C}$  to  $85^{\circ}\text{C}$ ),  $V_{CC} = 5\text{ V}$ ,  $I_F = 7.5\text{ mA}$  unless otherwise specified.

| Parameter   | Symbol                | Device HCPL- | Min.   | Typ.*  | Max. | Unit             | Test Conditions   | Fig. | Note   |
|---|-----------------------|--------------|--------|--------|------|------------------|---|------|--------|
| Propagation Delay Time to High Output Level         | $t_{PLH}$             |              | 20     | 48     | 75   | ns               | $T_A = 25^{\circ}\text{C}$<br>$R_L = 350\ \Omega$<br>$C_L = 15\ \text{pF}$  | 6, 7 | 5      |
|   |                       |              |        |        | 100  |                  |   |      |        |
| Propagation Delay Time to Low Output Level          | $t_{PHL}$             |              | 25     | 50     | 75   |                  | $T_A = 25^{\circ}\text{C}$  | 6, 7 | 6      |
|   |                       |              |        |        | 100  |                  |   |      |        |
| Propagation Delay Skew                              | $t_{PSK}$             |              |        |        | 40   |                  |   |      | 10, 11 |
| Pulse Width Distortion                              | $ t_{PHL} - t_{PLH} $ |              |        | 3.5    | 35   |                  |   | 9    | 10     |
| Output Rise Time (10%-90%)                          | $t_{rise}$            |              |        | 24     |      |                  |   | 10   |        |
| Output Fall Time (10%-90%)                          | $t_{fall}$            |              |        | 10     |      |                  |   | 10   |        |
| Common Mode Transient Immunity at High Output Level | $ CM_H $              | M600         |        | 10,000 |      | V/ $\mu\text{s}$ | $V_{CM} = 10\text{ V}$<br>$V_{O(min)} = 2\text{ V}$<br>$R_L = 350\ \Omega$<br>$I_F = 0\text{ mA}$<br>$T_A = 25^{\circ}\text{C}$     | 11   | 7, 9   |
|   |                       | M601         | 5,000  | 10,000 |      |                  |   |      |        |
|   |                       | M611         | 10,000 | 15,000 |      |                  |   |      |        |
| Common Mode Transient Immunity at Low Output Level  | $ CM_H $              | M600         |        | 10,000 |      | V/ $\mu\text{s}$ | $V_{CM} = 10\text{ V}$<br>$V_{O(max)} = 0.8\text{ V}$<br>$R_L = 350\ \Omega$<br>$I_F = 7.5\text{ mA}$<br>$T_A = 25^{\circ}\text{C}$ | 11   | 8, 9   |
|   |                       | M601         | 5,000  | 10,000 |      |                  |   |      |        |
|   |                       | M611         | 10,000 | 15,000 |      |                  |   |      |        |

\*All typicals at  $T_A = 25^{\circ}\text{C}$ ,  $V_{CC} = 5\text{ V}$ .

### Notes:

1. Bypassing of the power supply line is required with a 0.1  $\mu\text{F}$  ceramic disc capacitor adjacent to each optocoupler. The total lead length between both ends of the capacitor and the isolator pins should not exceed 10 mm.
2. Peaking circuits may produce transient input currents up to 50 mA, 50 ns maximum pulse width, provided average current does not exceed 20 mA.
3. Device considered a two terminal device: pins 1 and 3 shorted together, and pins 4, 5 and 6 shorted together.
4. In accordance with UL 1577, each optocoupler is proof tested by applying an insulation test voltage  $\geq 4500\text{ V}_{\text{RMS}}$  for 1 second (Leakage detection current limit,  $I_{L0} \leq 5\ \mu\text{A}$ ).
5. The  $t_{PLH}$  propagation delay is measured from 3.75 mA point on the falling edge of the input pulse to the 1.5 V point on the rising edge of the output pulse.
6. The  $t_{PHL}$  propagation delay is measured from 3.75 mA point on the rising edge of the input pulse to the 1.5 V point on the falling edge of the output pulse.
7.  $CM_H$  is the maximum tolerable rate of rise of the common mode voltage to assure that the output will remain in a high logic state (i.e.,  $V_{OUT} > 2.0\text{ V}$ ).
8.  $CM_L$  is the maximum tolerable rate of fall of the common mode voltage to assure that the output will remain in a low logic state (i.e.,  $V_{OUT} > 0.8\text{ V}$ ).
9. For sinusoidal voltages,  $(dV_{CM}/dt)_{\text{max}} = \pi f_{CM} V_{CM(p-p)}$ .
10. See application section; "Propagation Delay, Pulse-Width Distortion and Propagation Delay Skew" for more information.
11.  $t_{PSK}$  is equal to the worst case difference in  $t_{PHL}$  and/or  $t_{PLH}$  that will be seen between units at any given temperature within the worst case operating condition range.

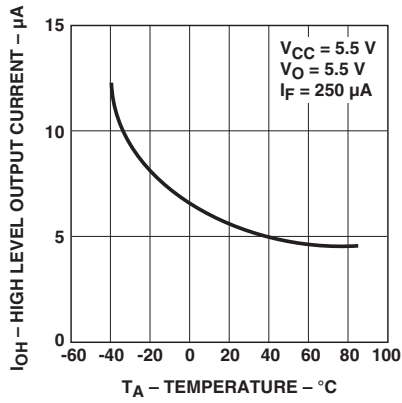


Figure 1. High Level Output Current vs. Temperature.

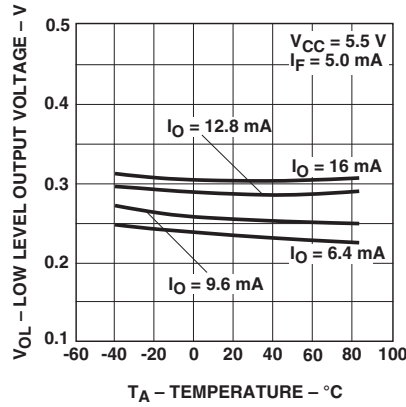


Figure 2. Low Level Output Voltage vs. Temperature.

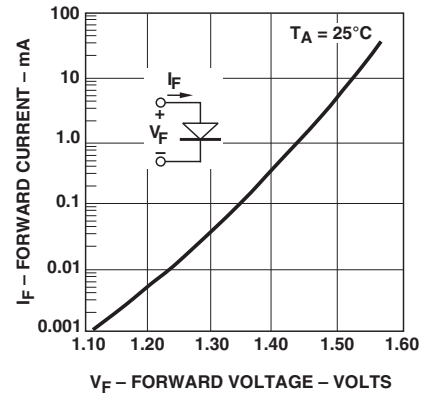


Figure 3. Input Diode Forward Characteristic.

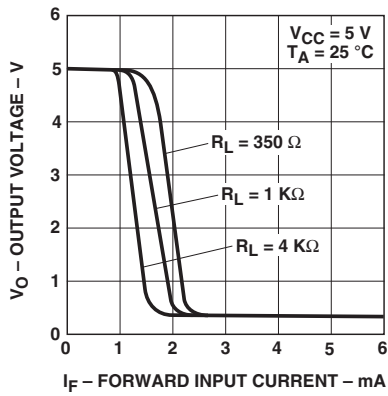


Figure 4. Output Voltage vs. Forward Input current.

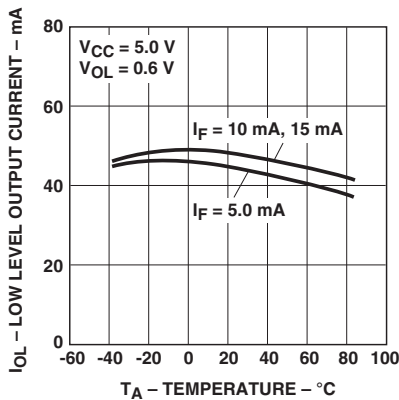
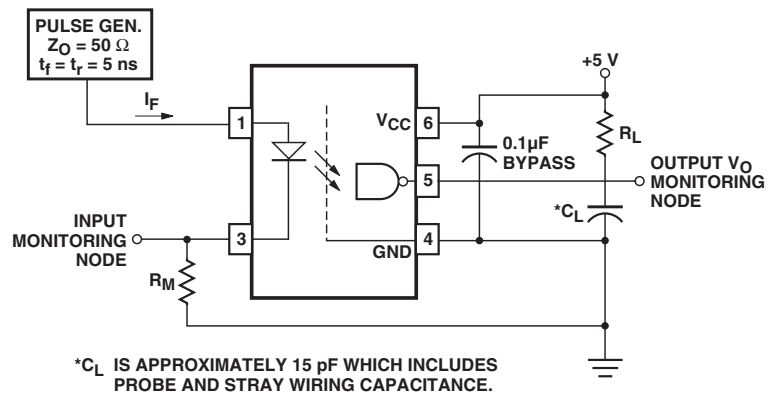


Figure 5. Low Level Output Current vs. Temperature.

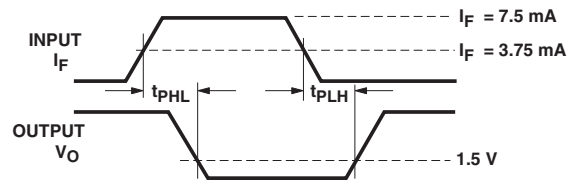


Figure 6. Test Circuit for  $t_{PHL}$  and  $t_{PLH}$ .



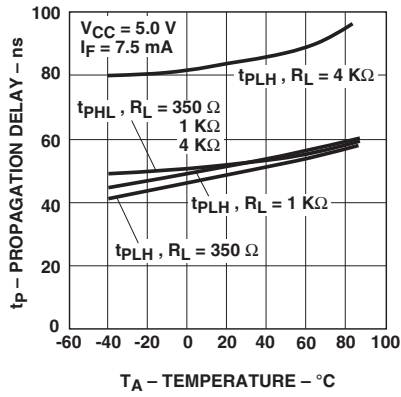


Figure 7. Propagation Delay vs. Temperature.

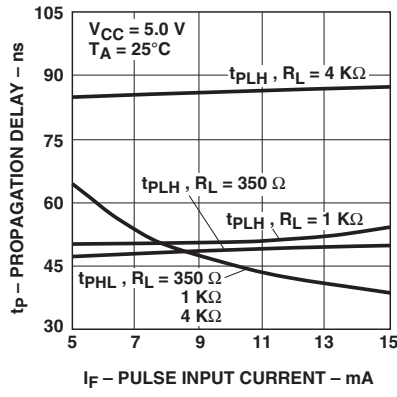


Figure 8. Propagation Delay vs. Pulse Input Current.

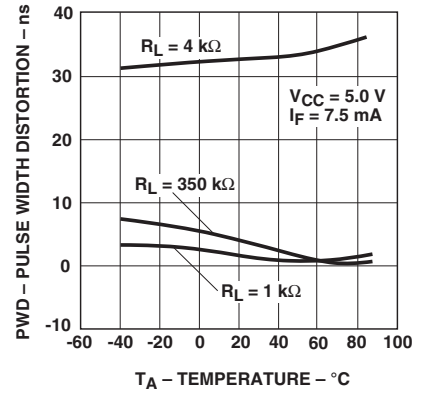


Figure 9. Pulse Width Distortion vs. Temperature.

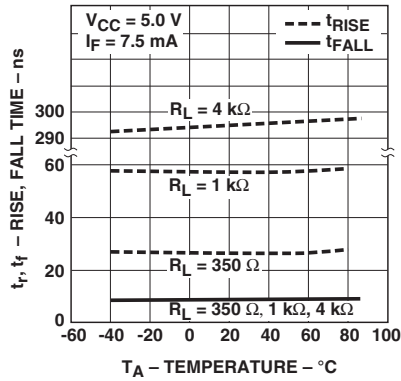


Figure 10. Rise and Fall Time vs. Temperature.

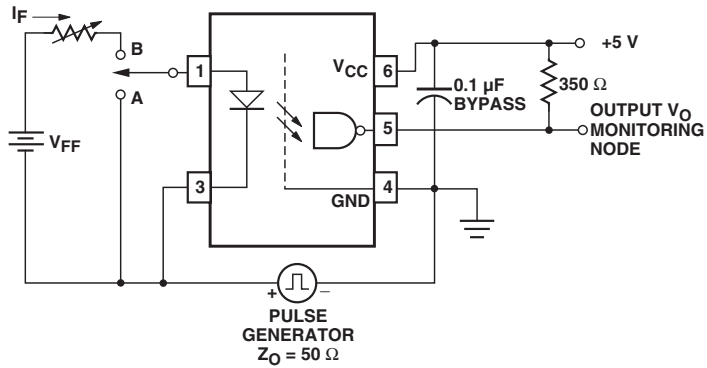


Figure 11. Test Circuit for Common Mode Transient Immunity and Typical Waveforms.

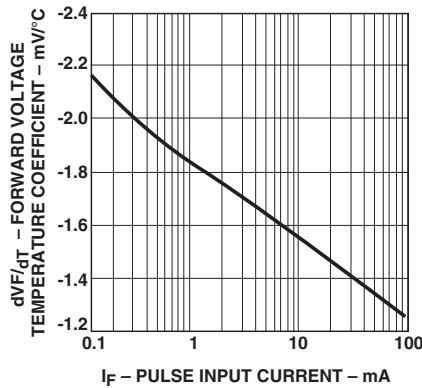


Figure 12. Temperature Coefficient for Forward Voltage vs. Input Current.

## Propagation Delay, Pulse-Width Distortion and Propagation Delay Skew

Propagation delay is a figure of merit which describes how quickly a logic signal propagates through a system. The propagation delay from low to high ( $t_{PLH}$ ) is the amount of time required for an input signal to propagate to the output, causing the output to change from low to high. Similarly, the propagation delay from high to low ( $t_{PHL}$ ) is the amount of time required for the input signal to propagate to the output, causing the output to change from high to low (see Figure 7).

Pulse-width distortion (PWD) results when  $t_{PLH}$  and  $t_{PHL}$  differ in value. PWD is defined as the difference between  $t_{PLH}$  and  $t_{PHL}$  and often determines the maximum data rate capability of a transmission system. PWD can be expressed in percent by dividing the PWD (in ns) by the minimum pulse width (in ns) being transmitted. Typically, PWD on the order of 20-30% of the minimum pulse width is tolerable; the exact figure depends on the particular application (RS232, RS422, T-1, etc.).

Propagation delay skew,  $t_{PSK}$ , is an important parameter to consider in parallel data applications where synchronization of signals on parallel data lines is a concern. If the parallel data is being sent through a group of optocouplers, differences in propagation delays will cause the data to arrive at the outputs of the optocouplers at different times. If this difference in propagation delays is large enough, it will determine the maximum rate at which parallel data can be sent through the optocouplers.

Propagation delay skew is defined as the difference between the minimum and maximum propagation delays, either  $t_{PLH}$  or  $t_{PHL}$ , for any given group of optocouplers which are operating under the same conditions (i.e., the same drive current, supply voltage, output load, and operating temperature). As illustrated in Figure 15, if the in-

puts of a group of optocouplers are switched either ON or OFF at the same time,  $t_{PSK}$  is the difference between the shortest propagation delay, either  $t_{PLH}$  or  $t_{PHL}$ , and the longest propagation delay, either  $t_{PLH}$  or  $t_{PHL}$ .

As mentioned earlier,  $t_{PSK}$  can determine the maximum parallel data transmission rate. Figure 11 is the timing diagram of a typical parallel data application with both the clock and the data lines being sent through optocouplers. The figure shows data and clock signals at the inputs and outputs of the optocouplers. To obtain the maximum data transmission rate, both edges of the clock signal are being used to clock the data; if only one edge were used, the clock signal would need to be twice as fast.

Propagation delay skew represents the uncertainty of where an edge might be after being sent through an optocoupler. Figure 16 shows that there will be uncertainty in both the data and the clock lines. It is important that these two areas of uncertainty not overlap, otherwise the clock signal might arrive before all of the data outputs have settled, or some of the data outputs may start to change before the clock signal has arrived. From these considerations, the absolute minimum pulse width that can be sent through optocouplers in a parallel application is twice  $t_{PSK}$ . A cautious design should use a slightly longer pulse width to ensure that any additional uncertainty in the rest of the circuit does not cause a problem.

The  $t_{PSK}$  specified optocouplers offer the advantages of guaranteed specifications for propagation delays, pulse-width distortion and propagation delay skew over the recommended temperature, and input current, and power supply ranges.

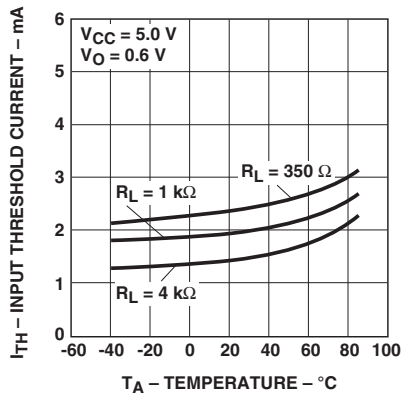


Figure 13. Input Threshold Current vs. Temperature.

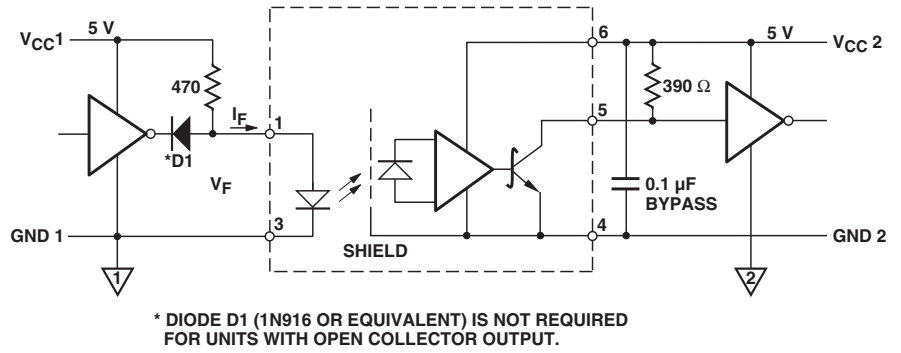


Figure 14. Recommended TTL/LS TTL to TTL/LS TTL Interface Circuit.

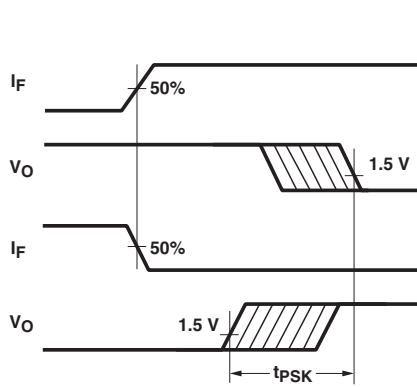


Figure 15. Illustration of Propagation Delay Skew -  $t_{PSK}$ .

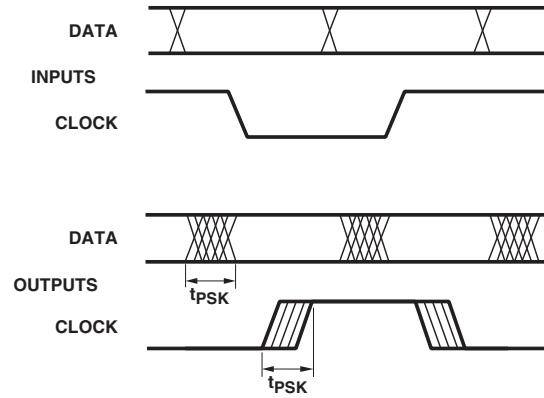


Figure 16. Parallel Data Transmission Example.

For product information and a complete list of distributors, please go to our website: [www.avagotech.com](http://www.avagotech.com)

Avago, Avago Technologies, and the A logo are trademarks of Avago Technologies in the United States and other countries. Data subject to change. Copyright © 2005-2010 Avago Technologies. All rights reserved. Obsoletes AV01-0562EN AV02-0941EN - February 23, 2010



## X-ON Electronics

Largest Supplier of Electrical and Electronic Components

*Click to view similar products for [High Speed Optocouplers](#) category:*

*Click to view products by [Broadcom](#) manufacturer:*

Other Similar products are found below :

[TLP558\(F\)](#) [JAN4N24](#) [610737H](#) [HCPL2630M](#) [HCPL2731SM](#) [PS9817A-1-F3-AX](#) [TLP2766A\(LF4,E](#) [TLP281-4](#) [TLP290\(V4GBTP,SE\(T](#)  
[PS9121-F3-AX](#) [PS9123-F3-AX](#) [TLP5774H\(TP4,E](#) [TLP5771H\(TP,E](#) [HCPL2531S](#) [HCPL2631SD](#) [HCPL-4661-500E](#) [TLP118\(TPL,E\)](#)  
[TLP521-2XGB](#) [TLP621-2XGB](#) [4N46-300E](#) [JANTXV4N24U](#) [SFH6318T](#) [6N135-300E](#) [TIL198](#) [TLP2309\(TPL,E\)](#) [TLP2355\(TPL,E](#) [TLP521-](#)  
[4GR](#) [TLP521-4XGB](#) [TLP621-4X](#) [TLP621XSM](#) [IS281-4GB](#) [IS2805-4](#) [IS181GR](#) [ICPL2631](#) [ICPL2630](#) [ICPL2531](#) [ICPL2601](#) [TLP2301\(E\(T](#)  
[TLP714\(F\)](#) [TLP754\(F\)](#) [FOD260LSDV](#) [ACPL-M50L-000E](#) [ACPL-M21L-500E](#) [ACPL-064L-500E](#) [PS2501-1XSM](#) [PS2505-1](#) [PS2913-1-F3-](#)  
[AX](#) [PS9821-2-F3-AX](#) [FOD0721R2](#) [6N135SDM](#)