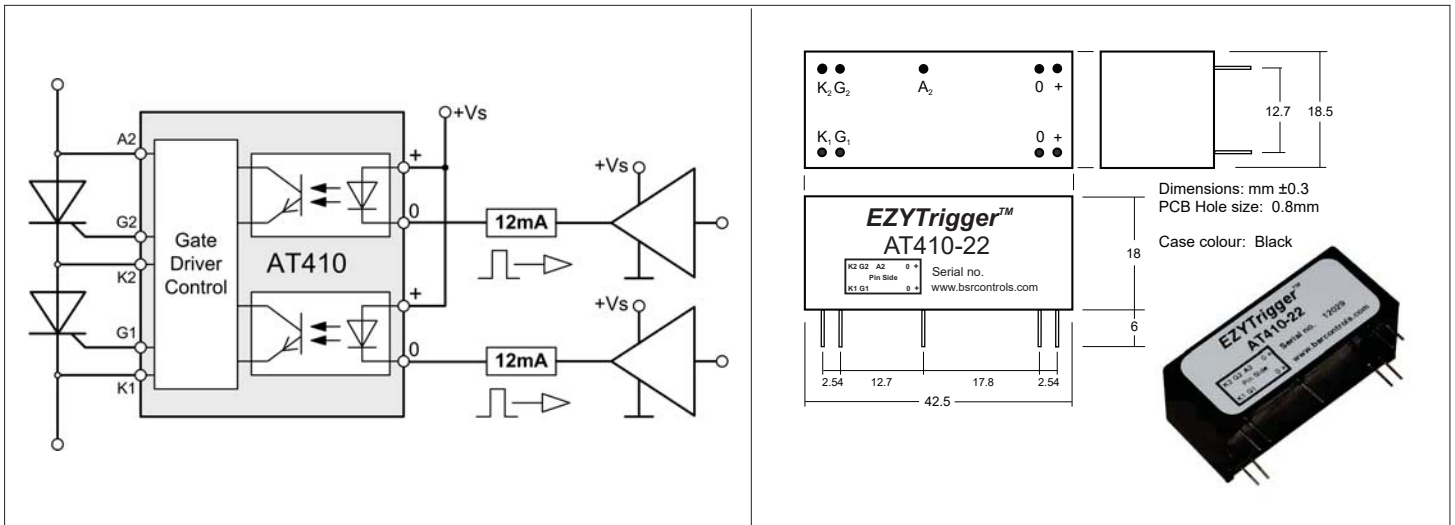


Applications:

- **Controlled Rectifiers**
- **AC Controllers**
- **DC Motor Control**



Absolute Maximum Ratings

EZYTrigger Type

Parameter	Symbol	AT410 - 12	AT410 - 22
Peak voltage – positive and negative	Vp	1200 V	2200 V
Nominal mains voltage	Vm	400 V	690 V
Continuous DC voltage	V=	400 V	690 V
Turn-on delay for gate current >1A	tgd	5 µs	5 µs
Input-Output Isolation	Vi	6000Vrms 50Hz 1min VDE0884	
Input-Output transient immunity	(dv/dt)c	5000 V/µs	
Device transient immunity	(dv/dt)d	2000 V/µs	
Ambient temperature range	Ta	-20°C to +85°C	

Technical Data at 25°C

200mA gate current threshold	Vgtl	10 V	16 V
1.8A gate current threshold	Vgth	24 V	36 V
Gate current rise time ⇒ anode voltage	⇒ 100V (di/dt)g	2.5 A/µs	1.2 A/µs
	⇒ 200V (di/dt)g	3 A/µs	2 A/µs
	⇒ 400V (di/dt)g	4 A/µs	2.5 A/µs
	⇒ 800V (di/dt)g	6 A/µs	3 A/µs
	⇒ 1200V (di/dt)g	-	4 A/µs
Peak gate current	Ip	1.8 A	1.8 A
Anode-cathoden current at peak voltage Vp	In	4.4 mA	5.1 mA
Maximum off-state gate current	Io	2 µA	2 µA
Minimum control current	Icm	7 mA	7 mA
Recommended control current	Ic	12 mA	12 mA
Control input voltage drop at 12mA gate current	Vin	Typ 1.2 < 1.5V	Typ 1.2 < 1.5V
Maximum reverse control input voltage	Vinr	6 V	6 V
Turn-on delay time at I _{control} = 12mA	tdi	25 µs	25 µs

X-ON Electronics

Largest Supplier of Electrical and Electronic Components

Click to view similar products for [Discrete Semiconductor Modules](#) category:

Click to view products by [BSR CONTROLS](#) manufacturer:

Other Similar products are found below :

[M252511FV](#) [DD260N12K-A](#) [DD285N02K](#) [DD380N16A](#) [DD89N1600K-A](#) [APT2X21DC60J](#) [APT58M80J](#) [B522F-2-YEC](#) [MSTC90-16](#)
[ND104N16K](#) [25.163.0653.1](#) [25.163.2453.0](#) [25.163.4253.0](#) [25.190.2053.0](#) [25.194.3453.0](#) [25.320.4853.1](#) [25.320.5253.1](#) [25.326.3253.1](#)
[25.326.3553.1](#) [25.330.1653.1](#) [25.330.4753.1](#) [25.330.5253.1](#) [25.334.3253.1](#) [25.334.3353.1](#) [25.350.2053.0](#) [25.352.4753.1](#) [25.522.3253.0](#)
[T483C](#) [T484C](#) [T485F](#) [T485H](#) [T512F-YEB](#) [T513F](#) [T514F](#) [T554](#) [T612FSE](#) [25.161.3453.0](#) [25.179.2253.0](#) [25.194.3253.0](#) [25.325.1253.1](#)
[25.326.4253.1](#) [25.330.0953.1](#) [25.332.4353.1](#) [25.350.1653.0](#) [25.350.2453.0](#) [25.352.1453.0](#) [25.352.1653.0](#) [25.352.2453.0](#) [25.352.5453.1](#)
[25.522.3353.0](#)