



PART NAME

NEMA DIE CAST ALUMINUM ENCLOSURE

PART No.

AN-1301-A & AN-1301-AB

REVISION DATE

9-30-15

UL LISTED FOR U.S. AND CANADA - FILE #E194432

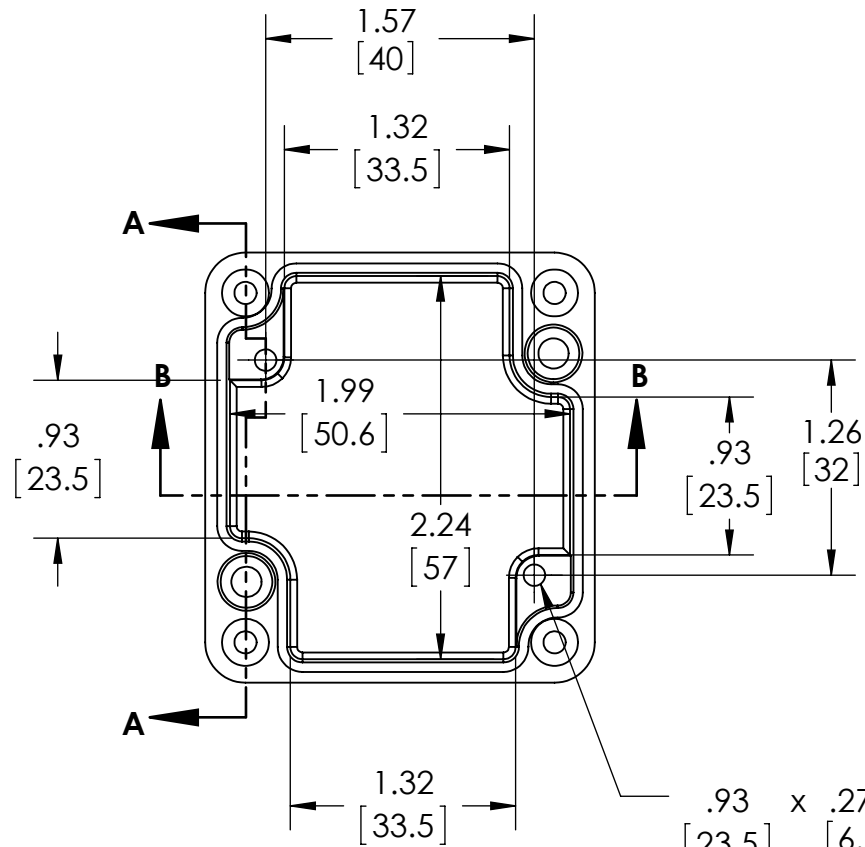
TYPE RATING 4, 4X, 6, 6P, 12 AND 13, COMPARE TO IP-68

80°C. MAXIMUM OPERATING TEMPERATURE

UPDATE REPLACES PART NO. AN-1301 (NATURAL) & AN-1301-G (DISCONTINUED GRAY)

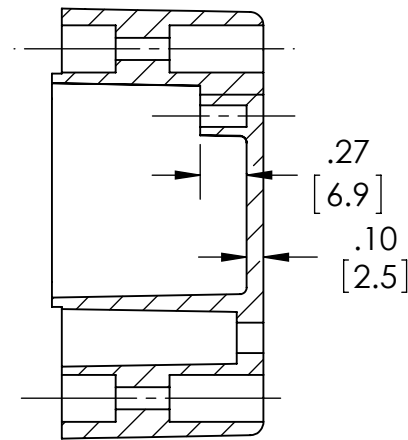
DRAWING FOR REFERENCE

WE RESERVE THE RIGHT TO MAKE CHANGES TO OUR STANDARD PRODUCTS. PLEASE CONSULT WITH BUD INDUSTRIES PRIOR TO USING THIS DRAWING FOR DESIGN PURPOSE.

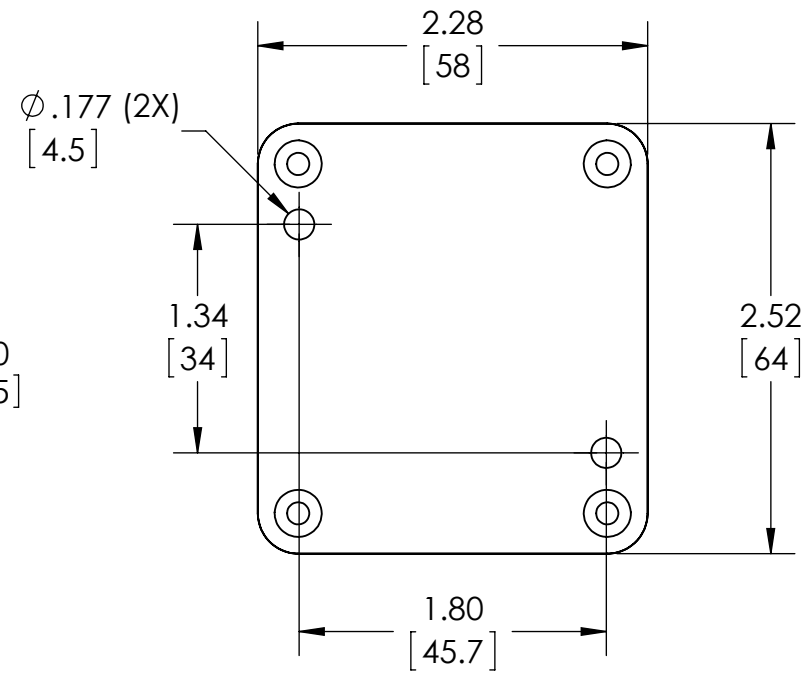


.93 x .272 DEEP (2X)
 [23.5] [6.9]
 ACCEPTS M3.5 x 6mm LG.
 OR #6 x 1/4" LG.
 SELF-TAPPING SCREW
 (NOT SUPPLIED - FOR PCB
 MOUNTING)

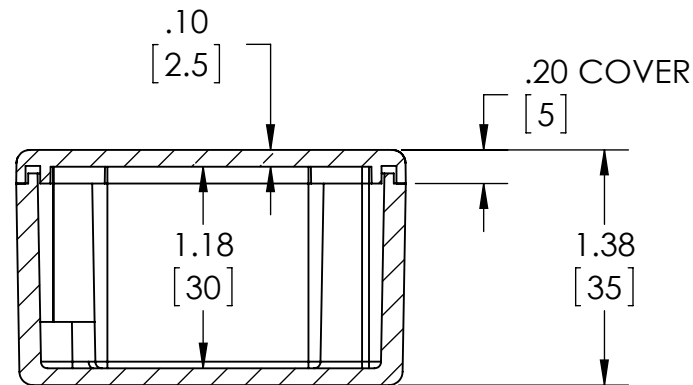
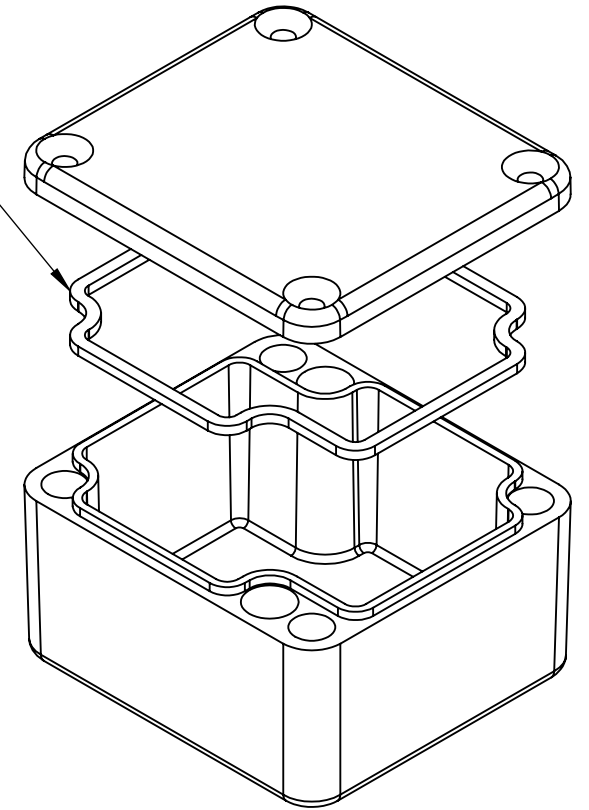
BODY COVER NOT SHOWN



SECTION A-A



GASKET (NOT INSTALLED)
MOLDED SILICONE GRAY



SECTION B-B

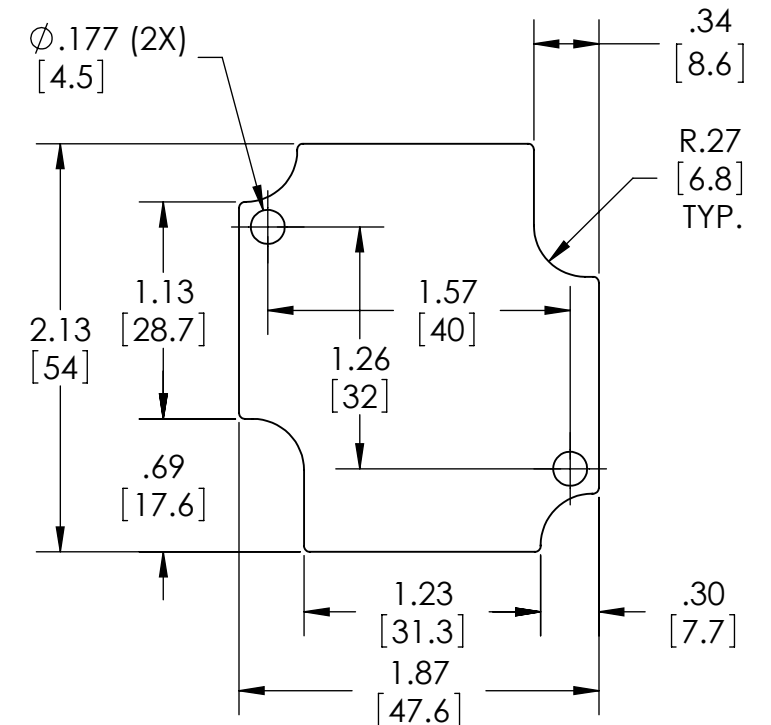
MATERIAL: BODY & COVER - ALUMINUM ALLOY #ADC-12

FINISH: NATURAL (SUFFIX -A)
SMOOTH BLACK POWDERCOAT (SUFFIX -AB)

FOUR (4) M4x0.7 x 20mm (.79") LG. 90° CSK. HEAD
STAINLESS STEEL SCREWS SUPPLIED FOR ASSEMBLY
OF COVER TO BODY. APPLY AT 12 IN./LB. OF
TORQUE.

OUTSIDE AND INSIDE DRAFT ANGLE: 1°
DIMENSIONS ARE INCH[MM]

OPTIONAL ACCESSORIES:
PCB MOUNTING KIT #57-58
INTERNAL PANEL #ANX-91301
WALL MOUNT BRACKETS #ANX-1390
REPLACEMENT GASKET #1301GSKTSC



OPTIONAL INTERNAL PANEL AND SUGGESTED PC BOARD LAYOUT

X-ON Electronics

Largest Supplier of Electrical and Electronic Components

Click to view similar products for [Electrical Enclosures](#) category:

Click to view products by [Bud Industries](#) manufacturer:

Other Similar products are found below :

[120-401](#) [120-905](#) [120-909](#) [120-403](#) [130-004](#) [MR-25L+](#) [30-8739](#) [PIP-11774SCREW](#) [30-9715](#) [30-9777-BU](#) [105-905](#) [110-902](#) [110-901](#)
[A16N12BLP](#) [110-406](#) [110-401](#) [110-404](#) [120-405](#) [34861601](#) [106-009](#) [106-505](#) [105-405](#) [111-005](#) [127-909](#) [106-502](#) [130-503](#) [127-455](#)
[9511150](#) [9511017](#) [9820011](#) [NSYTDB5PL](#) [137-455](#) [130-001](#) [105-904](#) [120-404](#) [137-005](#) [130-505](#) [127-406](#) [AB 1,5.0](#) [AB2.0](#) [ABM.0](#)
[73345601](#) [F-MP](#) [H-MP](#) [M-MP](#) [PAT 12040](#) [2461000](#) [9121230](#) [79541301](#) [19001001](#)