



PART NAME

# NEMA DIE CAST ALUM. ENCLOSURE

PART No.

## AN-1310-A & AN-1310-AB

REVISION DATE

9-30-15

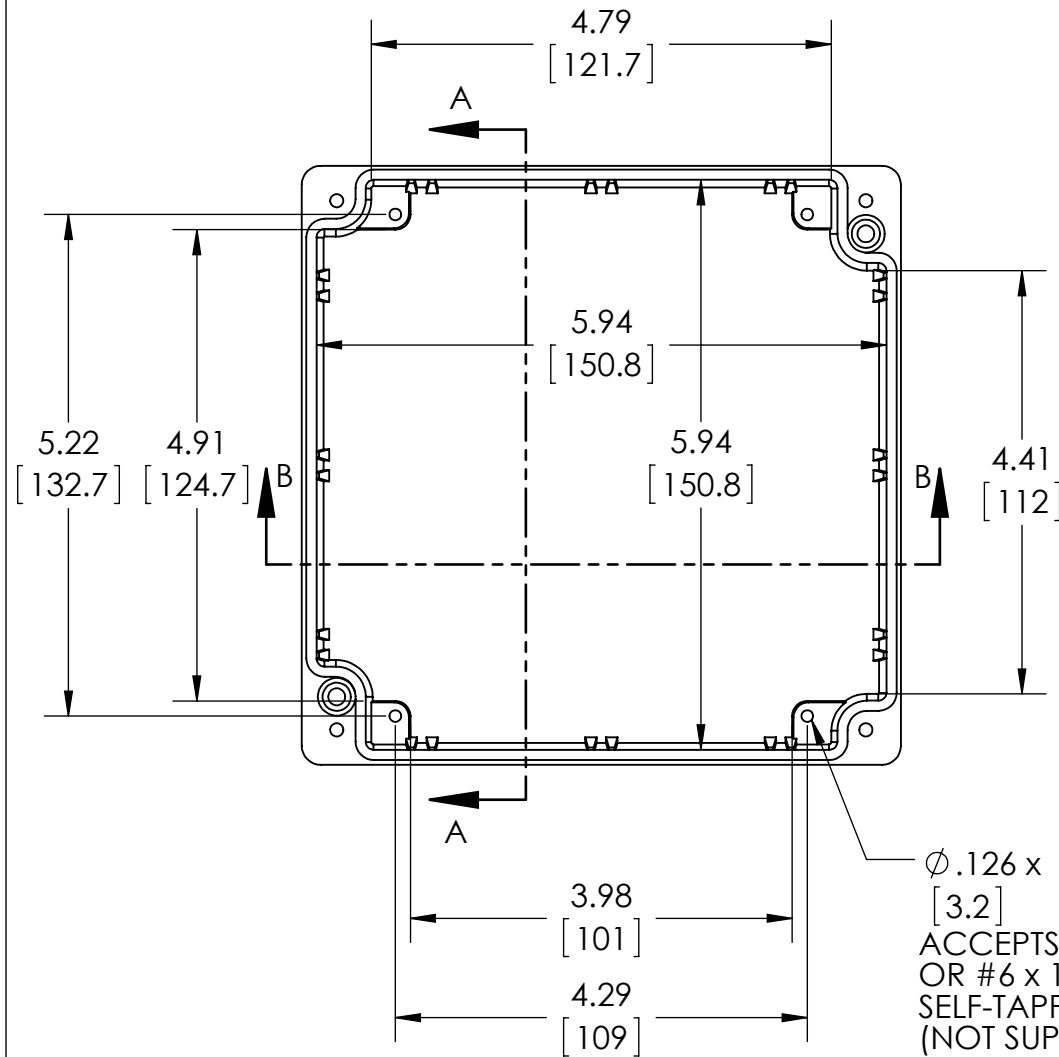
UL LISTED FOR U.S. AND CANADA - FILE #E194432

UPDATE REPLACES PART NO. AN-1310(NATURAL) & AN-1310-G (DISCONTINUED GRAY)

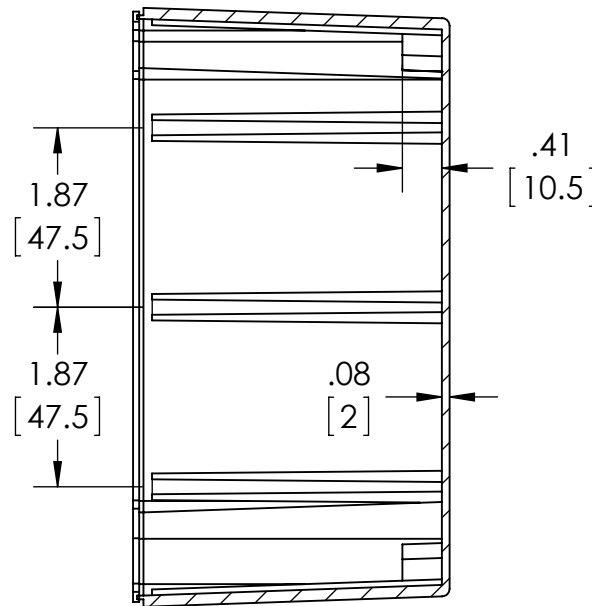
**DRAWING FOR REFERENCE**  
WE RESERVE THE RIGHT TO MAKE CHANGES TO OUR STANDARD PRODUCTS. PLEASE CONSULT WITH BUD INDUSTRIES PRIOR TO USING THIS DRAWING FOR DESIGN PURPOSE.

TYPE RATING 4, 4X, 6, 6P, 12 AND 13, COMPARE TO IP-68

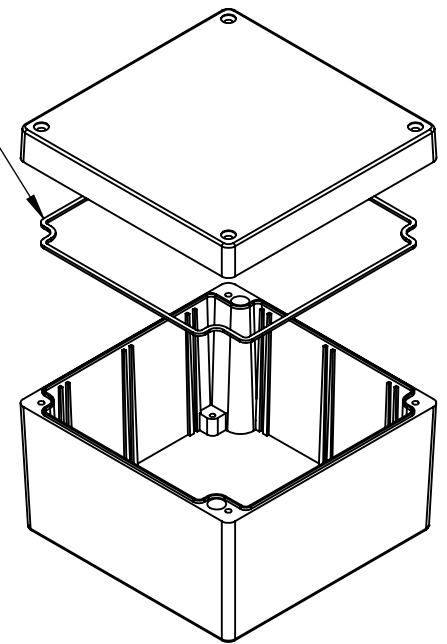
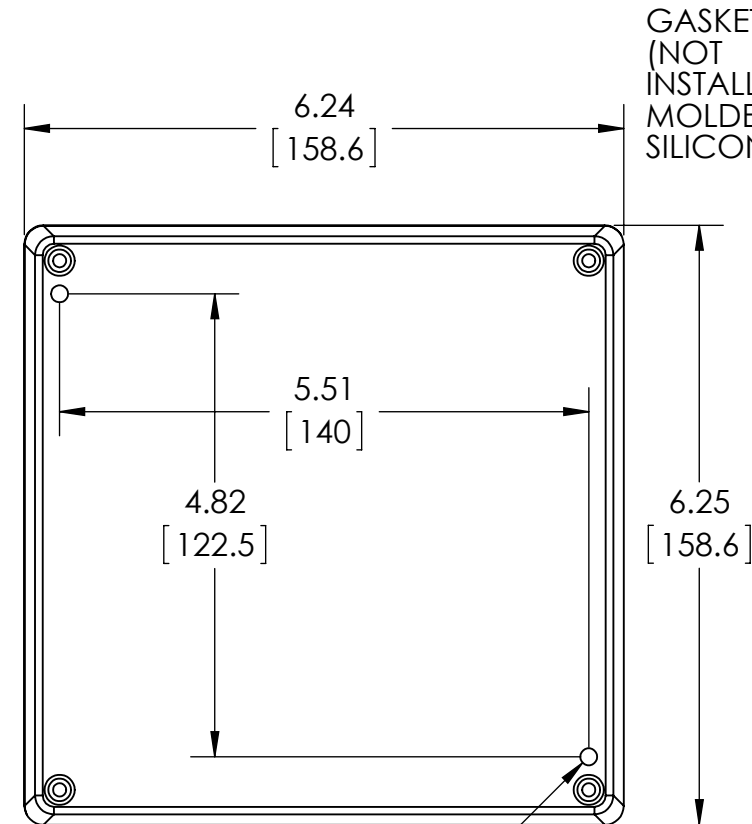
80°C. MAXIMUM OPERATING TEMPERATURE



### BODY COVER NOT SHOWN

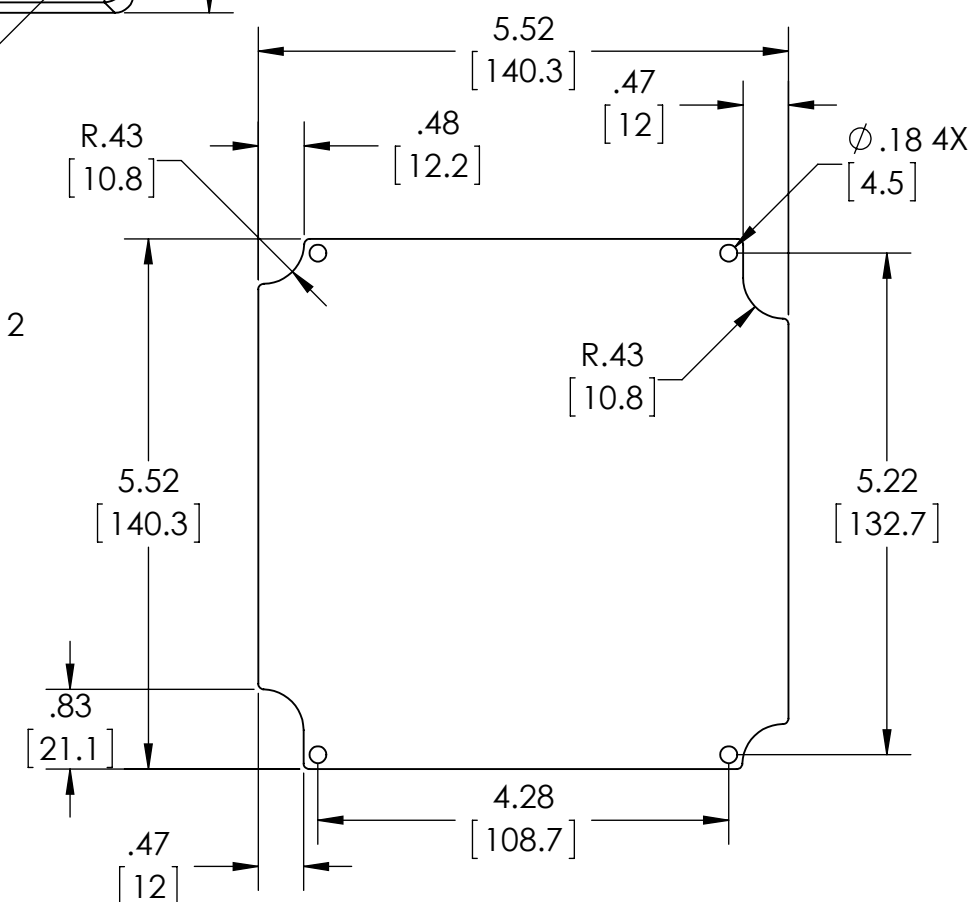


SECTION A-A

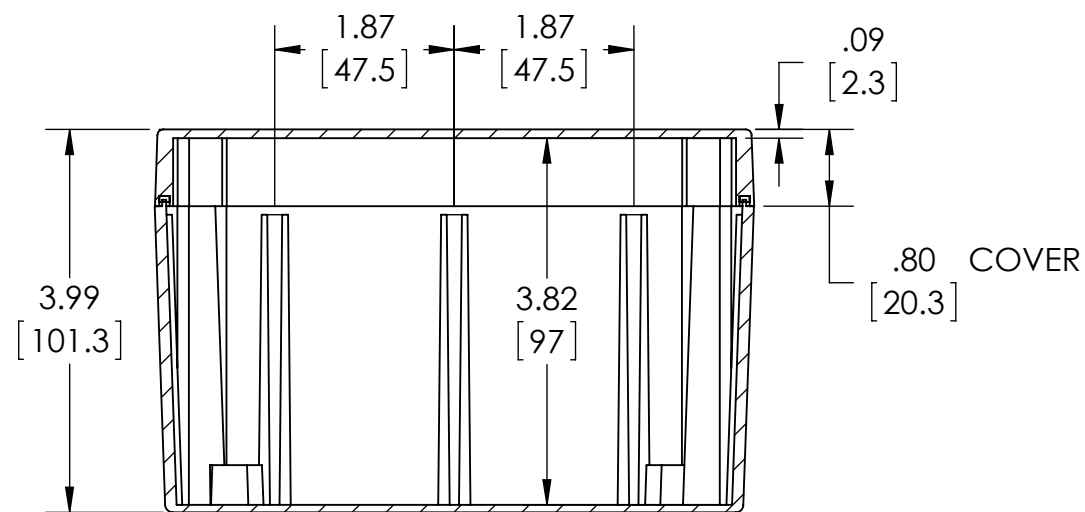


$\phi .126 \times .394$  DEEP (4X)  
[3.2] [10]  
ACCEPTS M3.5 x 6mm LG.  
OR #6 x 1/4" LG.  
SELF-TAPPING SCREW  
(NOT SUPPLIED - FOR PCB  
MOUNTING)

$\phi .18 \ 2X$   
[4.5]



**OPTIONAL INTERNAL PANEL AND SUGGESTED PC BOARD LAYOUT**



SECTION B-B

MATERIAL: BODY & COVER - ALUMINUM ALLOY #ADC-12

FINISH: NATURAL (SUFFIX -A)  
SMOOTH BLACK POWDERCOAT (SUFFIX -AB)

FOUR (4) M4x0.7 x 32mm (1.26") LG. 90°CSK. HEAD  
STAINLESS STEEL SCREWS SUPPLIED FOR ASSEMBLY  
OF COVER TO BODY. APPLY AT 12 IN./LB. OF  
TORQUE.

OUTSIDE AND INSIDE DRAFT ANGLE: 2°  
DIMENSIONS ARE INCH[MM]

OPTIONAL ACCESSORIES:  
PCB MOUNTING KIT #57-58  
INTERNAL PANEL #ANX-91310  
WALL MOUNTING BRACKETS #ANX-1390  
REPLACEMENT GASKET #1310GSKTSC

## X-ON Electronics

Largest Supplier of Electrical and Electronic Components

*Click to view similar products for [Electrical Enclosures](#) category:*

*Click to view products by [Bud Industries](#) manufacturer:*

Other Similar products are found below :

[120-401](#) [120-905](#) [120-909](#) [120-403](#) [130-004](#) [MR-25L+](#) [30-8739](#) [PIP-11774SCREW](#) [30-9715](#) [30-9777-BU](#) [105-905](#) [110-902](#) [110-901](#)  
[A16N12BLP](#) [110-406](#) [110-401](#) [110-404](#) [120-405](#) [34861601](#) [106-009](#) [106-505](#) [105-405](#) [111-005](#) [127-909](#) [106-502](#) [130-503](#) [127-455](#)  
[9511150](#) [9511017](#) [9820011](#) [NSYTDB5PL](#) [137-455](#) [130-001](#) [105-904](#) [120-404](#) [137-005](#) [130-505](#) [127-406](#) [AB 1,5.0](#) [AB2.0](#) [ABM.0](#)  
[73345601](#) [F-MP](#) [H-MP](#) [M-MP](#) [PAT 12040](#) [2461000](#) [9121230](#) [79541301](#) [19001001](#)