



PART NAME

NEMA DIE CAST ALUMINUM ENCLOSURE

PART No.

AN-1323-A & AN-1323-AB

REVISION DATE

9-30-15

UL LISTED FOR U.S. AND CANADA - FILE #E194432

TYPE RATING 4, 4X, 6, 6P, 12 AND 13, COMPARE TO IP-68

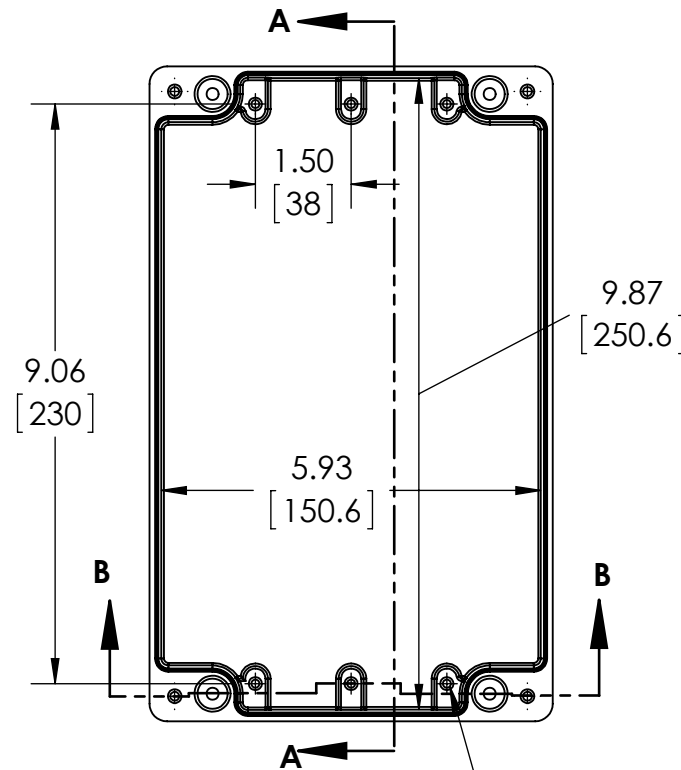
80°C. MAXIMUM OPERATING TEMPERATURE

UPDATE REPLACES PART NO. AN-1323 (NATURAL) & AN-1323-G (DISCONTINUED GRAY)

DRAWING FOR REFERENCE

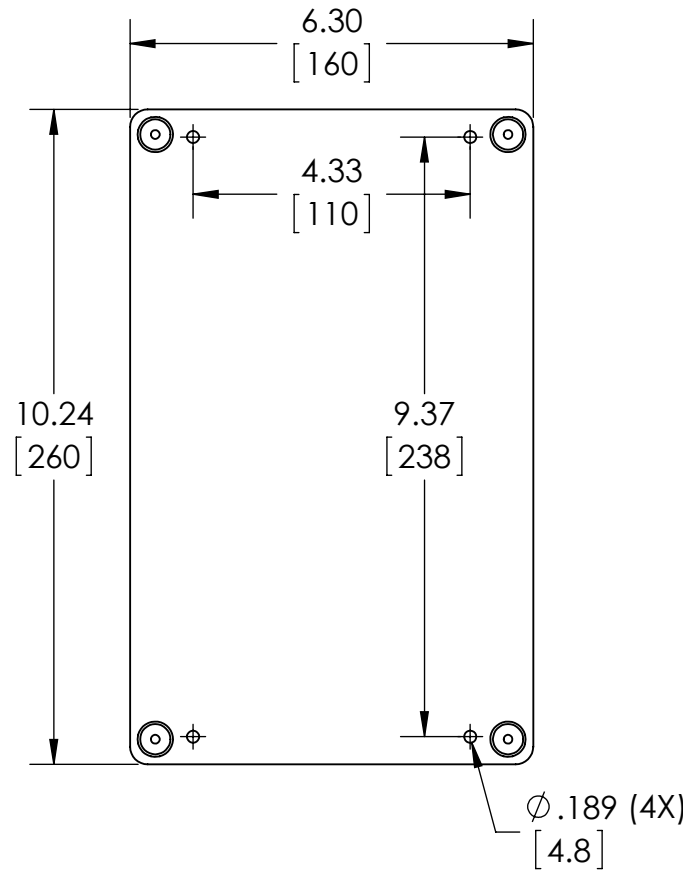
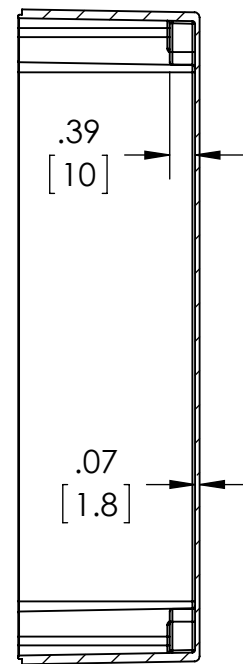
WE RESERVE THE RIGHT TO MAKE CHANGES TO OUR STANDARD PRODUCTS. PLEASE CONSULT WITH BUD INDUSTRIES PRIOR TO USING THIS DRAWING FOR DESIGN PURPOSE.

BODY COVER NOT SHOWN

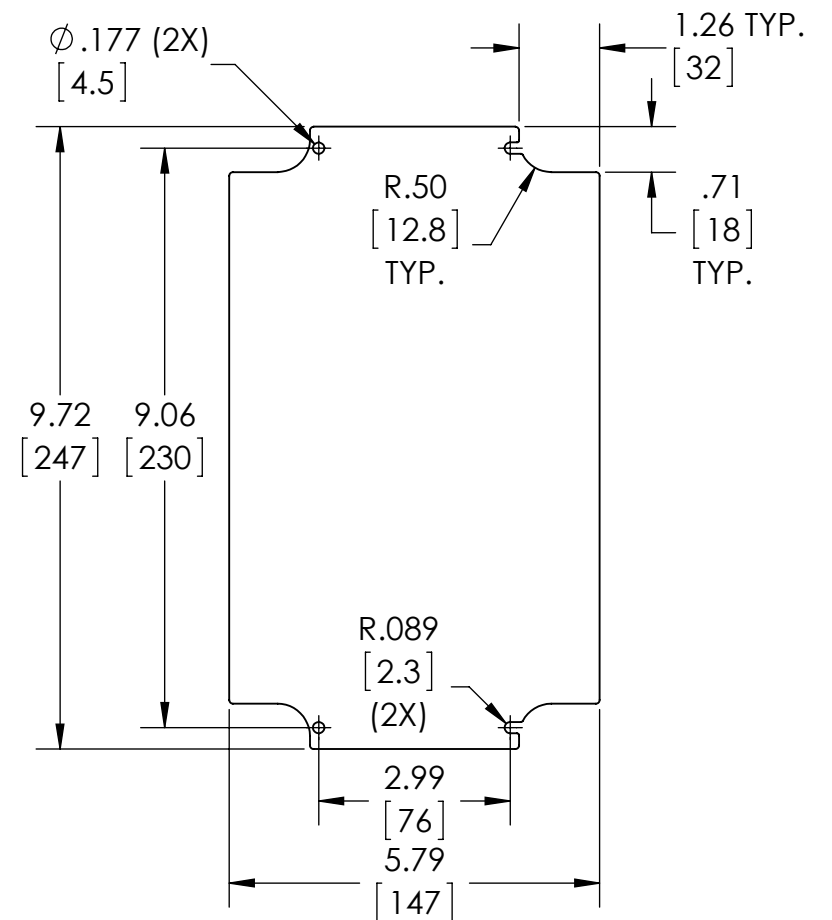
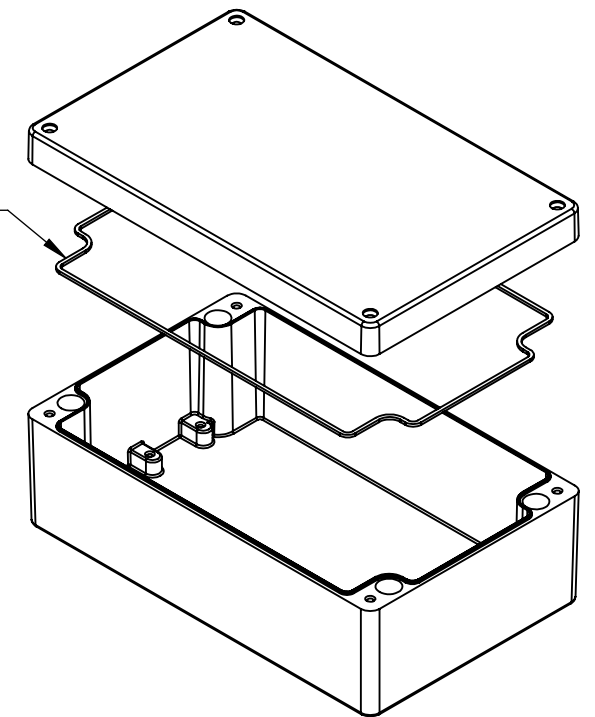


$\phi .126 \times .394$ DEEP (6X)
 [3.2] [10]
 ACCEPTS M3.5 x 6mm LG.
 OR #6 x 1/4" LG.
 SELF-TAPPING SCREW
 (NOT SUPPLIED - FOR PCB
 MOUNTING)

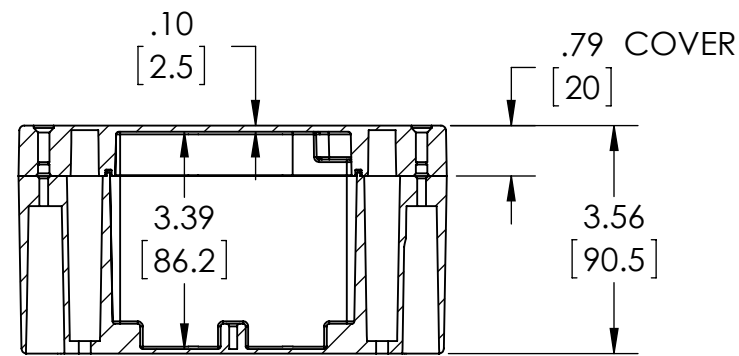
SECTION A-A



GASKET (NOT INSTALLED)
MOLDED SILICONE GRAY



OPTIONAL INTERNAL PANEL AND SUGGESTED PC BOARD LAYOUT



SECTION B-B

MATERIAL: BODY & COVER - ALUMINUM ALLOY #ADC-12

FINISH: NATURAL (SUFFIX -A)
SMOOTH BLACK POWDERCOAT (SUFFIX -AB)

FOUR (4) M4x0.7 x 32mm (1.26") LG. 90° CSK. HEAD
STAINLESS STEEL CAPTIVE SCREWS SUPPLIED FOR
ASSEMBLY OF COVER TO BODY. APPLY AT 12 IN./LB.
OF TORQUE.

OUTSIDE AND INSIDE DRAFT ANGLE: 1°
DIMENSIONS IN INCH[MM]

OPTIONAL ACCESSORIES:
 PCB MOUNTING KIT #57-58
 INTERNAL PANEL #ANX-91323
 WALL MOUNT BRACKETS #ANX-1390
 REPLACEMENT GASKET #1323GSKTSC

X-ON Electronics

Largest Supplier of Electrical and Electronic Components

Click to view similar products for [Electrical Enclosures](#) category:

Click to view products by [Bud Industries](#) manufacturer:

Other Similar products are found below :

[120-401](#) [120-905](#) [120-909](#) [120-403](#) [130-004](#) [MR-25L+](#) [30-8739](#) [PIP-11774SCREW](#) [30-9715](#) [30-9777-BU](#) [105-905](#) [110-902](#) [110-901](#)
[A16N12BLP](#) [110-406](#) [110-401](#) [110-404](#) [120-405](#) [34861601](#) [106-009](#) [106-505](#) [105-405](#) [111-005](#) [127-909](#) [106-502](#) [130-503](#) [127-455](#)
[9511150](#) [9511017](#) [9820011](#) [NSYTDB5PL](#) [137-455](#) [130-001](#) [105-904](#) [120-404](#) [137-005](#) [130-505](#) [127-406](#) [AB 1,5.0](#) [AB2.0](#) [ABM.0](#)
[73345601](#) [F-MP](#) [H-MP](#) [M-MP](#) [PAT 12040](#) [2461000](#) [9121230](#) [79541301](#) [19001001](#)