



PART NAME

NEMA DIE CAST ALUM. ENCLOSURE w/MTG. BRKT.

PART No.

AN-2812-A &amp; AN-2812-AB

REVISION DATE

9-30-15

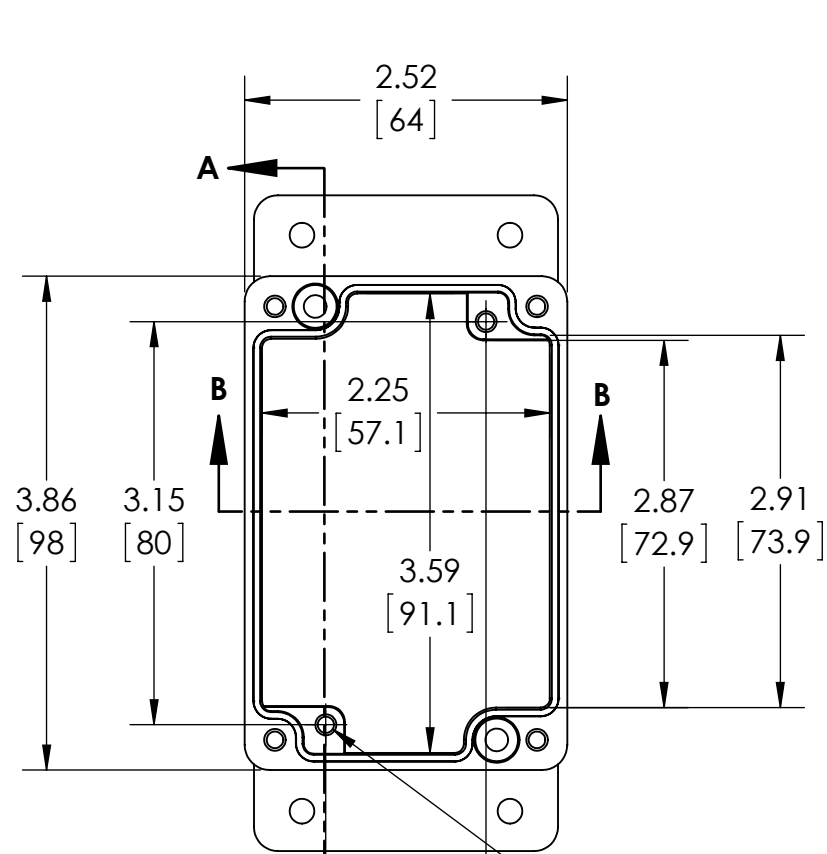
UL LISTED FOR U.S. AND CANADA - FILE #E194432

UPDATE REPLACES PART NO. AN-2812 &amp; AN-2812-B

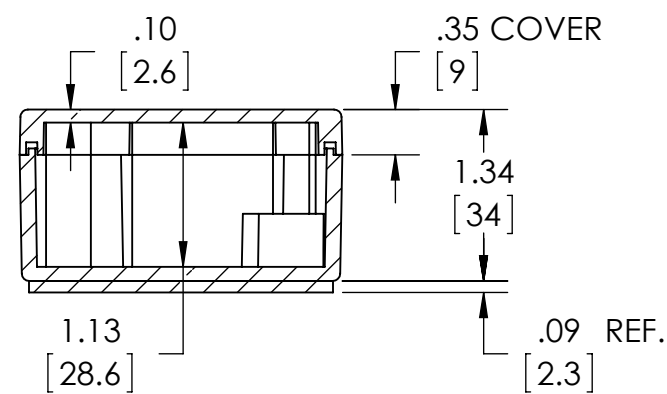
**DRAWING FOR REFERENCE**  
 WE RESERVE THE RIGHT TO MAKE CHANGES TO OUR  
 STANDARD PRODUCTS. PLEASE CONSULT WITH BUD INDUSTRIES  
 PRIOR TO USING THIS DRAWING FOR DESIGN PURPOSE.

TYPE RATING 4, 4X, 6, 6P, 12 AND 13, COMPARE TO IP-68

80°C. MAXIMUM OPERATING TEMPERATURE

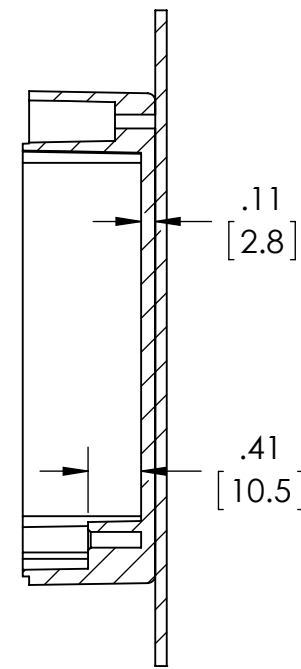


SECTION A-A  
 Ø.126 x .394 DEEP (2X)  
 [3.2] [10]  
 ACCEPTS M3.5 x 6mm LG.  
 OR #6 x 1/4" LG.  
 SELF-TAPPING SCREW  
 (NOT SUPPLIED - FOR PCB  
 MOUNTING)

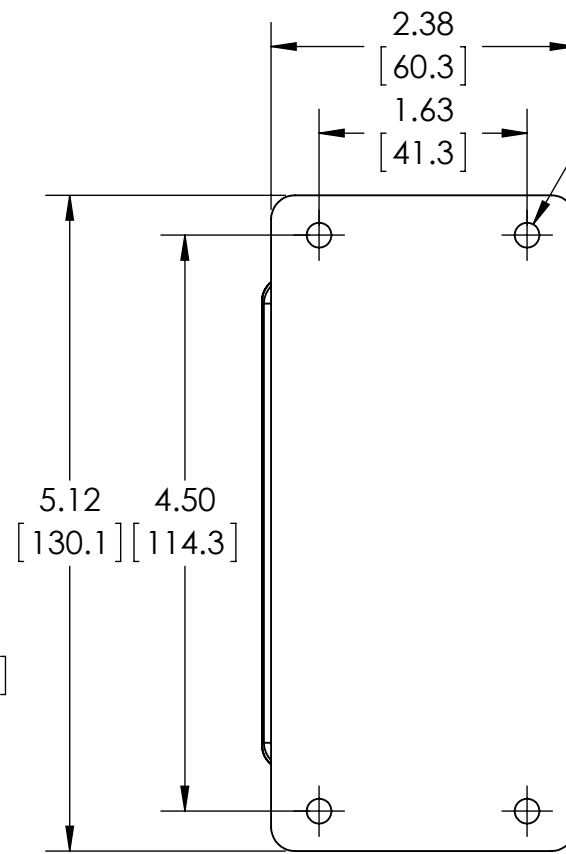


SECTION B-B

**BODY**  
 COVER NOT SHOWN

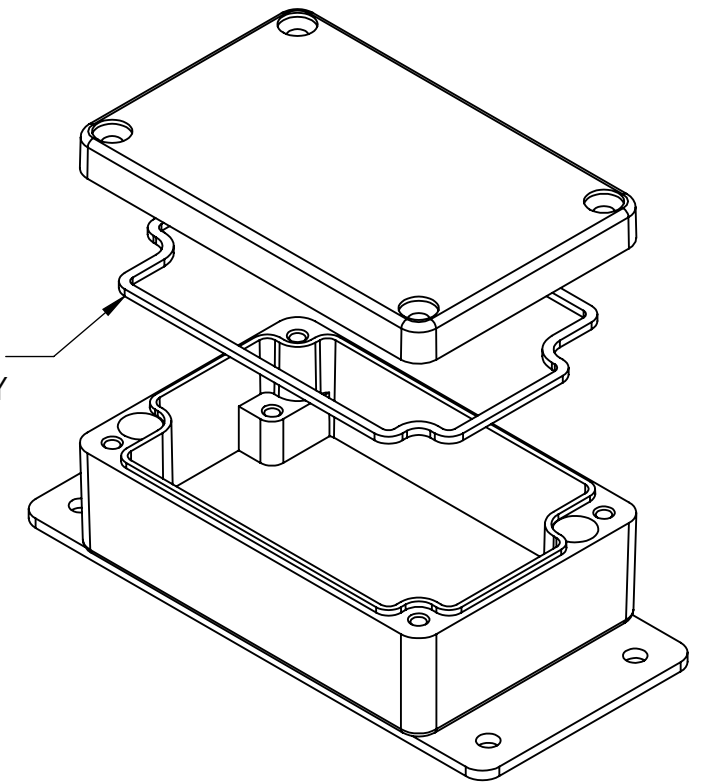


SECTION A-A



Ø.193 (4X)  
 [4.9]  
 ACCEPTS #10 SCREW  
 (NOT SUPPLIED)

GASKET (NOT INSTALLED)  
 MOLDED SILICONE GRAY



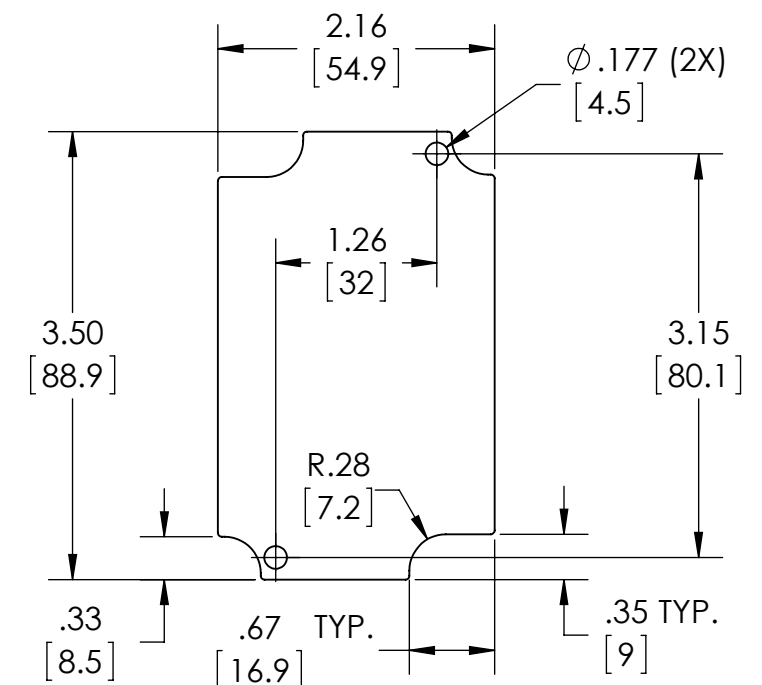
MATERIAL: BODY & COVER - ALUMINUM ALLOY #ADC-12  
 MOUNTING BRACKET - .09 THK. ALUMINUM (3003-H14)

FINISH: NATURAL (SUFFIX -A)  
 SMOOTH BLACK POWDERCOAT (SUFFIX -AB)

FOUR (4) M4x0.7 x 20mm (79") LG. 90°CSK. HEAD  
 STAINLESS STEEL SCREWS SUPPLIED FOR ASSEMBLY  
 OF COVER TO BODY. APPLY AT 12 IN./LB. OF  
 TORQUE.

OUTSIDE AND INSIDE DRAFT ANGLE: 1°  
 DIMENSIONS ARE INCH[MM]

OPTIONAL ACCESSORIES:  
 PCB MOUNTING KIT #57-58  
 INTERNAL PANEL #ANX-91312  
 REPLACEMENT GASKET #1312GSKTSC



**OPTIONAL INTERNAL PANEL AND  
 SUGGESTED PC BOARD LAYOUT**

## X-ON Electronics

Largest Supplier of Electrical and Electronic Components

*Click to view similar products for [Electrical Enclosures](#) category:*

*Click to view products by [Bud Industries](#) manufacturer:*

Other Similar products are found below :

[120-401](#) [120-905](#) [120-909](#) [120-403](#) [130-004](#) [MR-25L+](#) [30-8739](#) [PIP-11774SCREW](#) [30-9715](#) [30-9777-BU](#) [105-905](#) [110-902](#) [110-901](#)  
[A16N12BLP](#) [110-406](#) [110-401](#) [110-403](#) [110-404](#) [120-405](#) [34861601](#) [106-009](#) [106-505](#) [105-405](#) [111-005](#) [127-909](#) [106-502](#) [130-503](#) [127-](#)  
[455](#) [9511150](#) [9511017](#) [9820011](#) [NSYTDB5PL](#) [137-455](#) [130-001](#) [105-904](#) [120-404](#) [137-005](#) [130-505](#) [127-406](#) [AB 1,5.0](#) [AB2.0](#) [ABM.0](#)  
[73345601](#) [F-MP](#) [H-MP](#) [M-MP](#) [PAT 12040](#) [2461000](#) [9121230](#) [79541301](#)